



US00D380123S

# United States Patent [19]

[11] Patent Number: Des. 380,123

Friedlander

[45] Date of Patent: \*\*Jun. 24, 1997

[54] **GOLF CLUB WITH FOUR COMPARTMENTS FOR TRANSPORTING LIQUIDS THEREIN**

D. 363,517	10/1995	Lin	.....	D21/214
D. 370,829	6/1996	Neale	.....	D7/515
D. 373,508	9/1996	Shin	.....	D7/515
1,615,038	1/1927	Reuter, Jr.	.....	D21/214 X

[76] Inventor: **Alfred Friedlander**, 85 Cedar Dr., East Hills, N.Y. 11576

*Primary Examiner*—M. N. Pandozzi

[\*\*] Term: **14 Years**

### [57] CLAIM

[21] Appl. No.: **48,217**

The ornamental design for a novelty golf club with four compartments for transporting liquids therein, as shown and described.

[22] Filed: **Dec. 22, 1995**

[51] LOC (6) Cl. .... **07-01**

### DESCRIPTION

[52] U.S. Cl. .... **D7/515; D21/214; D21/215; D7/301**

FIG. 1 is a front elevational view of the novelty golf club with four compartments for transporting liquids therein showing my new design;

[58] Field of Search ..... D7/507, 602, 509, D7/604, 523, 513, 301, 514, 628, 515, 215/6; D9/307; D21/214, 215

FIG. 2 is a rear elevational view thereof;

FIG. 3 is a right view thereof;

### [56] References Cited

#### U.S. PATENT DOCUMENTS

D. 126,813	4/1941	Karoff	.....	D9/307
D. 187,401	3/1960	Whittle	.....	D9/307
D. 246,003	10/1977	Shimada	.....	D21/214
D. 269,498	6/1983	Witt, Jr.	.....	D9/307
D. 313,534	1/1991	Stadtmueller	.....	D7/515
D. 347,968	6/1994	Friedman	.....	D7/514 X
D. 360,805	8/1995	Friedman	.....	D7/515
D. 363,100	10/1995	Long et al.	.....	D21/214

FIG. 4 is a left view thereof;

FIG. 5 is a top plan view thereof;

FIG. 6 is a bottom plan view thereof; and,

FIG. 7 is a sectional view taken vertically through the mid-plane of the device at line 7—7 of FIG. 5.

The novelty golf club with four compartments for transporting liquids therein is broken away in two places in FIGS. 1, 2, 3, 4, and 7 to show indeterminate length.

**1 Claim, 3 Drawing Sheets**

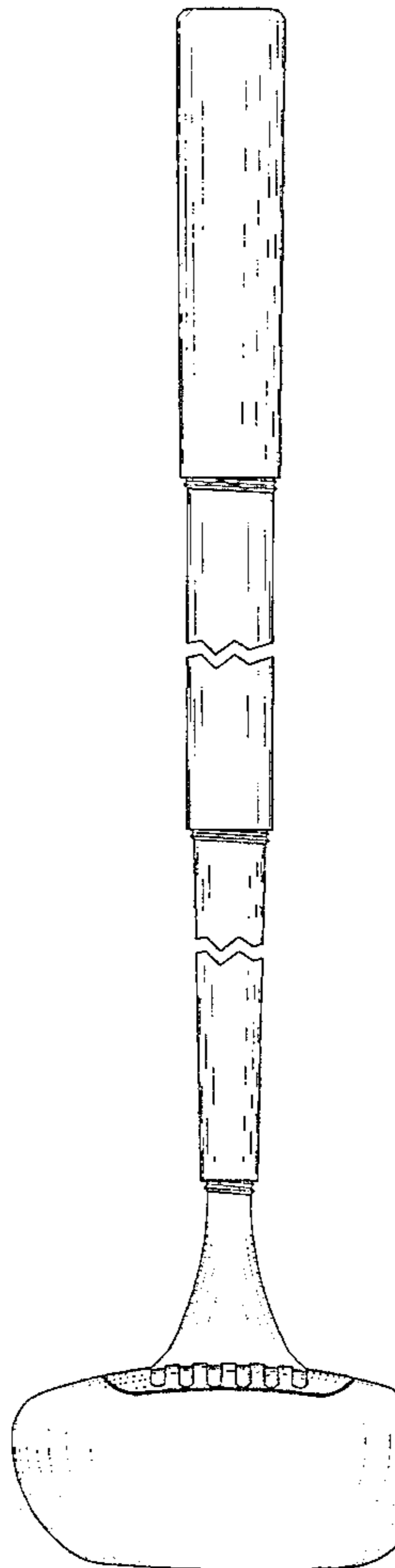


FIG. 1

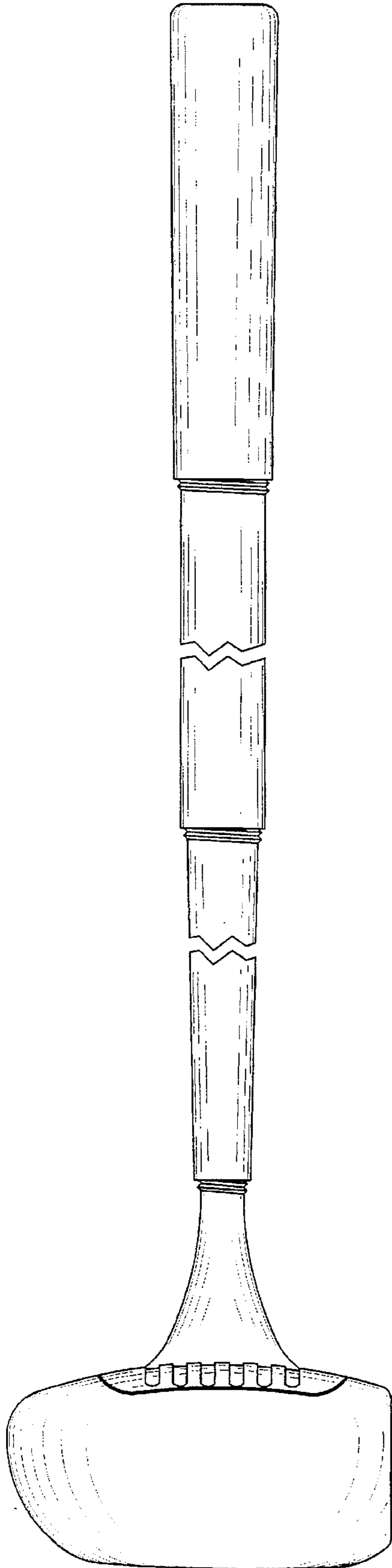
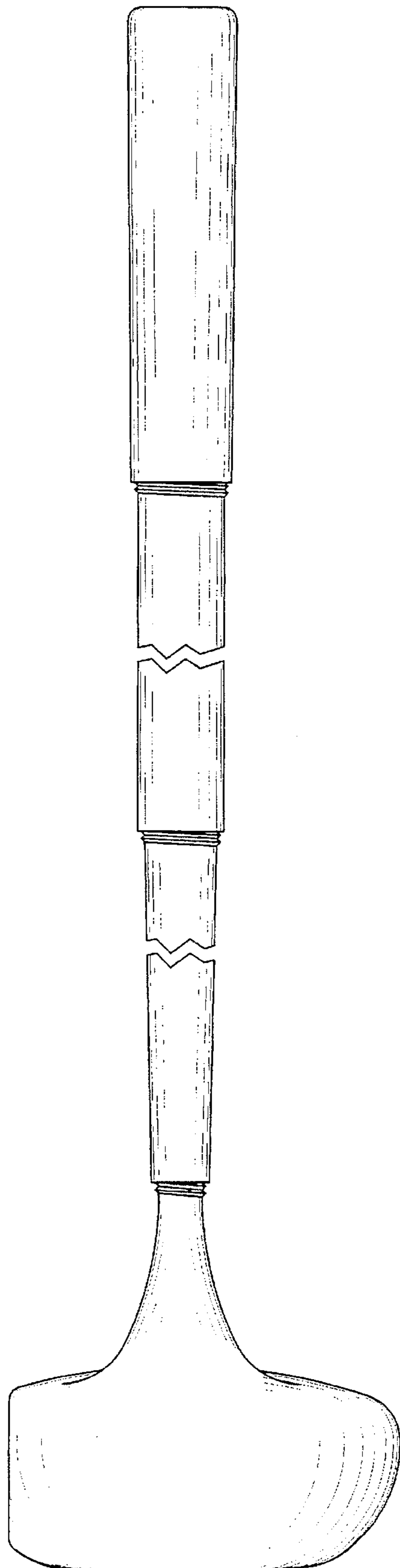


FIG. 2



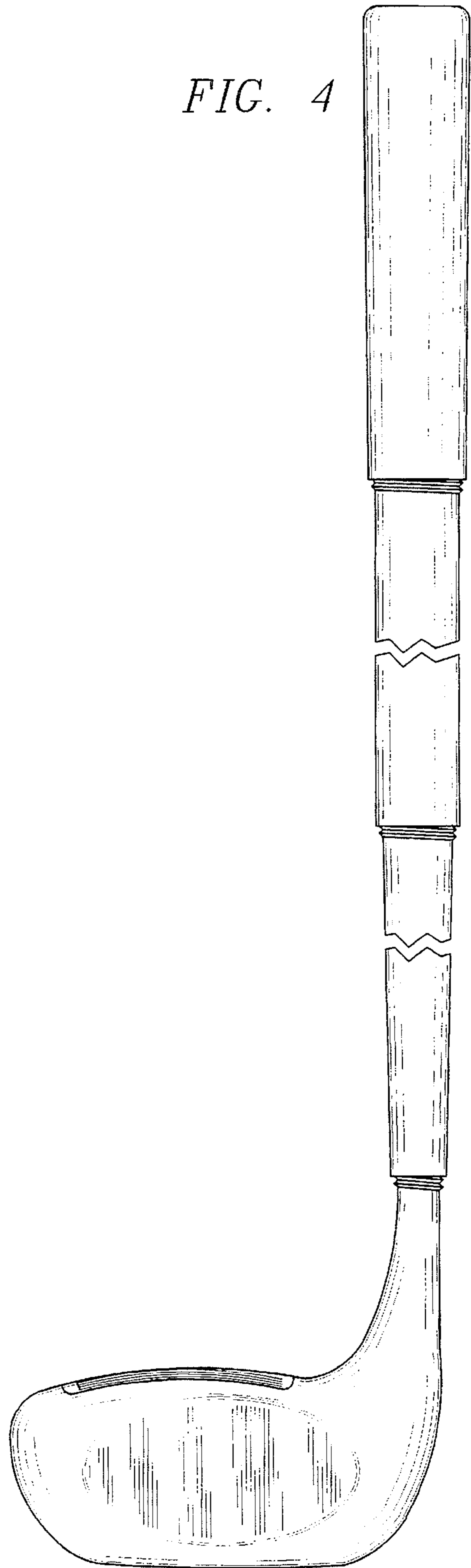
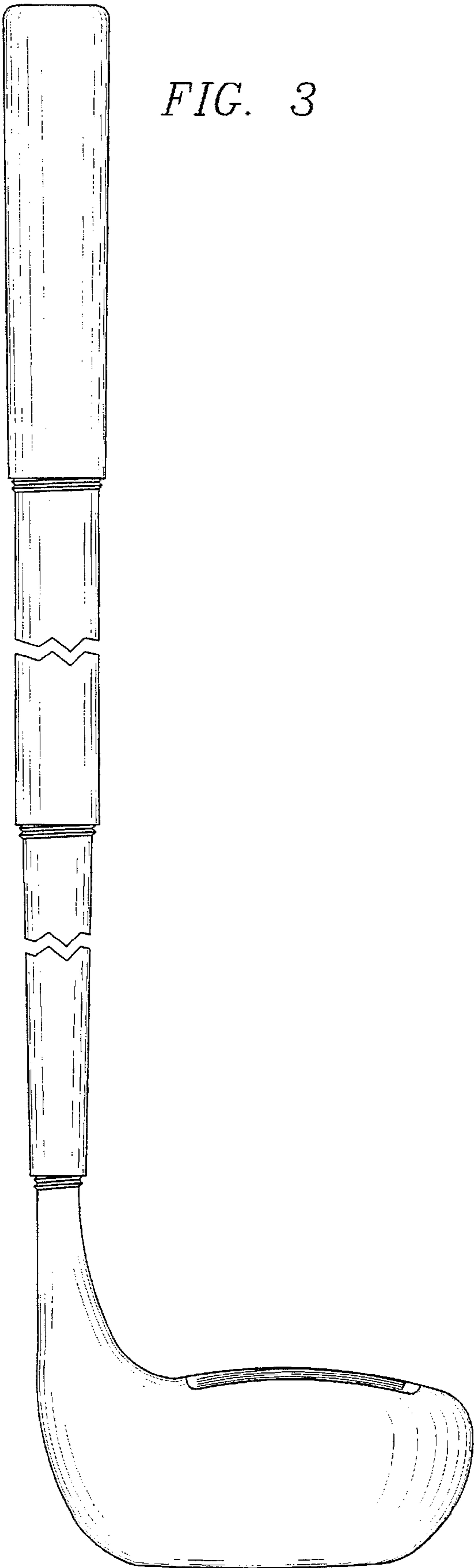


FIG. 5

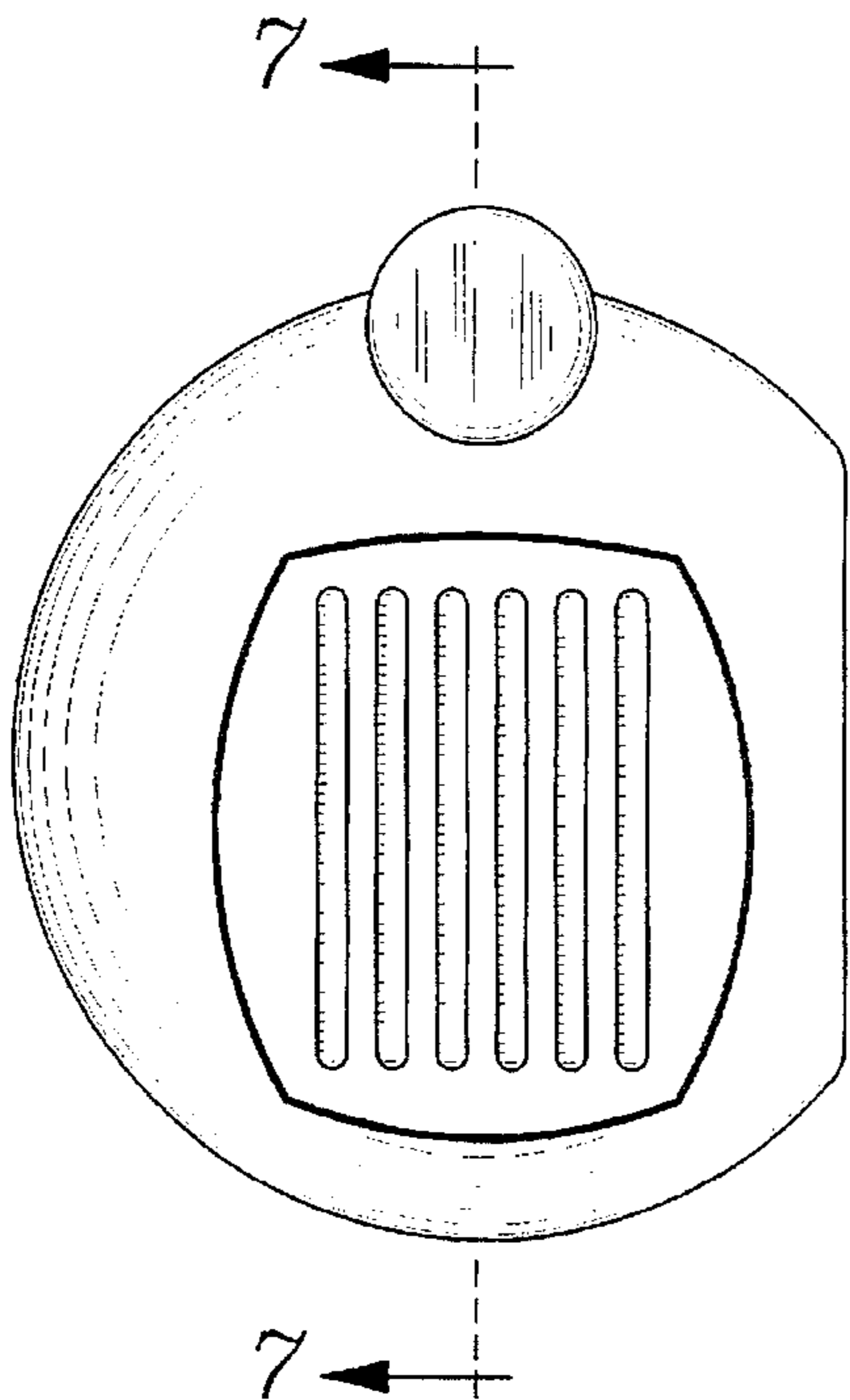


FIG. 7

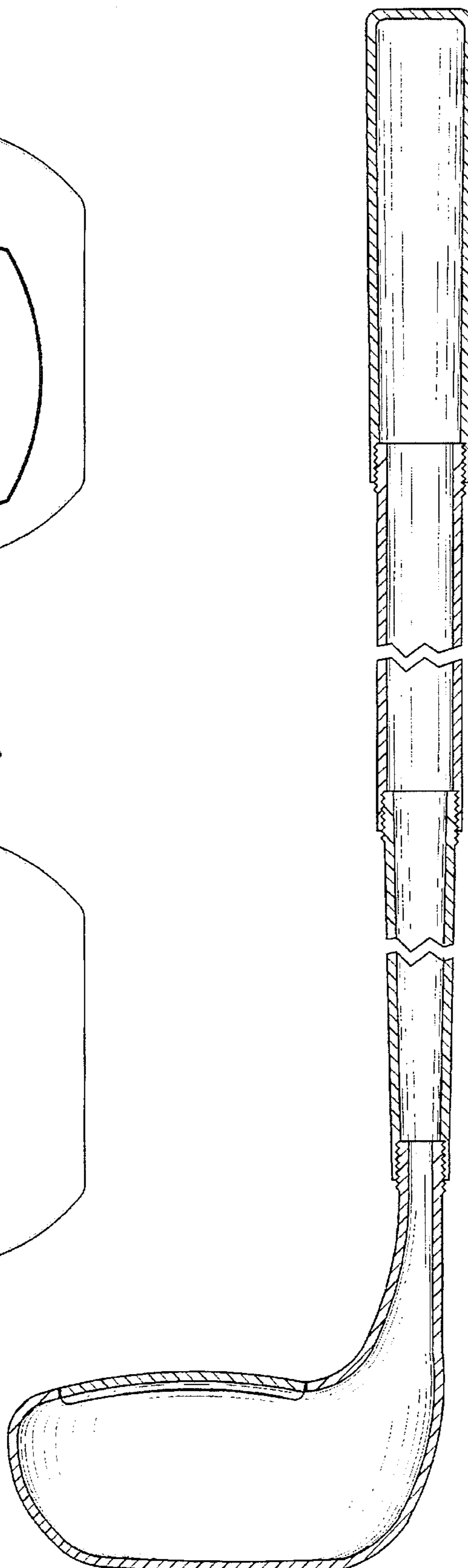


FIG. 6

