



US00D380121S

# United States Patent [19]

Davidson et al.

[11] Patent Number: **Des. 380,121**

[45] Date of Patent: **\*\*Jun. 24, 1997**

[54] **BLENDER BASE**

[75] Inventors: **Carl B. Davidson**, Mocksville, N.C.;  
**Benjamin A. Governale**, Phoenix, Md.;  
**Ricky A. Place**, Hanover, Pa.

[73] Assignee: **Black & Decker Inc.**, Newark, Del.

[\*\*] Term: **14 Years**

[21] Appl. No.: **50,538**

[22] Filed: **Jan. 3, 1996**

### Related U.S. Application Data

[63] Continuation of Ser. No. 35,068, Feb. 17, 1995, abandoned.

[51] **LOC (6) Cl.** ..... **31-00**

[52] **U.S. Cl.** ..... **D7/386**

[58] **Field of Search** ..... **D7/376-378, 386;**  
**366/129, 130, 197, 199, 204, 205, 314**

### [56] References Cited

#### U.S. PATENT DOCUMENTS

D. 206,780 1/1967 Dewenter ..... D7/378 X

D. 215,569 10/1969 Levin ..... D7/378 X

D. 215,680 10/1969 Hanson et al. .... D7/386

D. 341,749 11/1993 Correa ..... D7/376 X

*Primary Examiner*—James Gandy

*Assistant Examiner*—Caron D. Veynar

*Attorney, Agent, or Firm*—Dennis A. Dearing; John D. Del  
Ponti; Charles E. Yocum

### [57] CLAIM

The ornamental design for a blender base, as shown and described.

### DESCRIPTION

FIG. 1 is a perspective view of a blender base showing our new design;

FIG. 2 is a front elevational view thereof;

FIG. 3 is rear elevational view thereof;

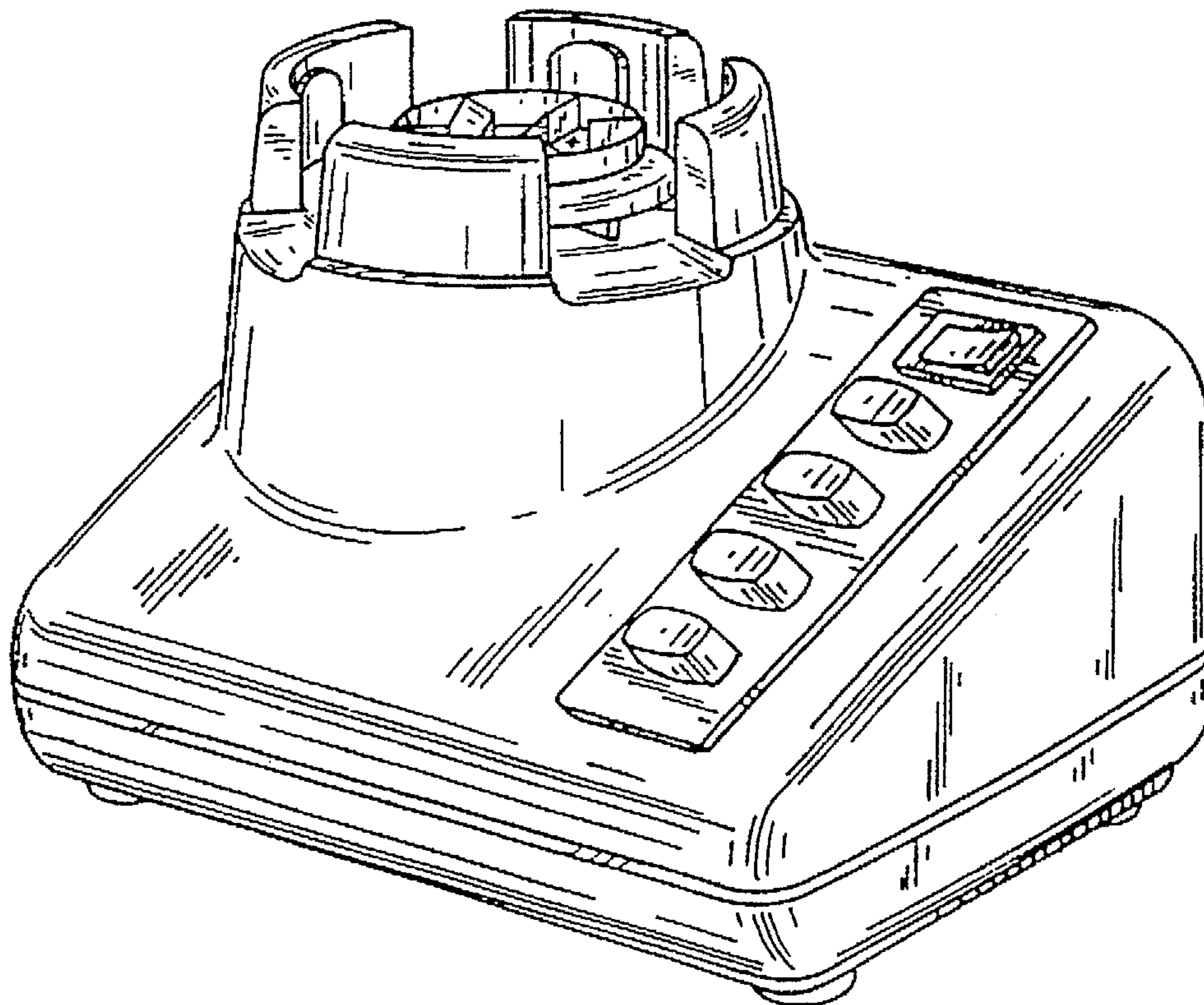
FIG. 4 is a right side elevational view thereof;

FIG. 5 is a left side elevational view thereof;

FIG. 6 is a top plan view thereof; and,

FIG. 7 is a bottom plan view thereof.

**1 Claim, 6 Drawing Sheets**



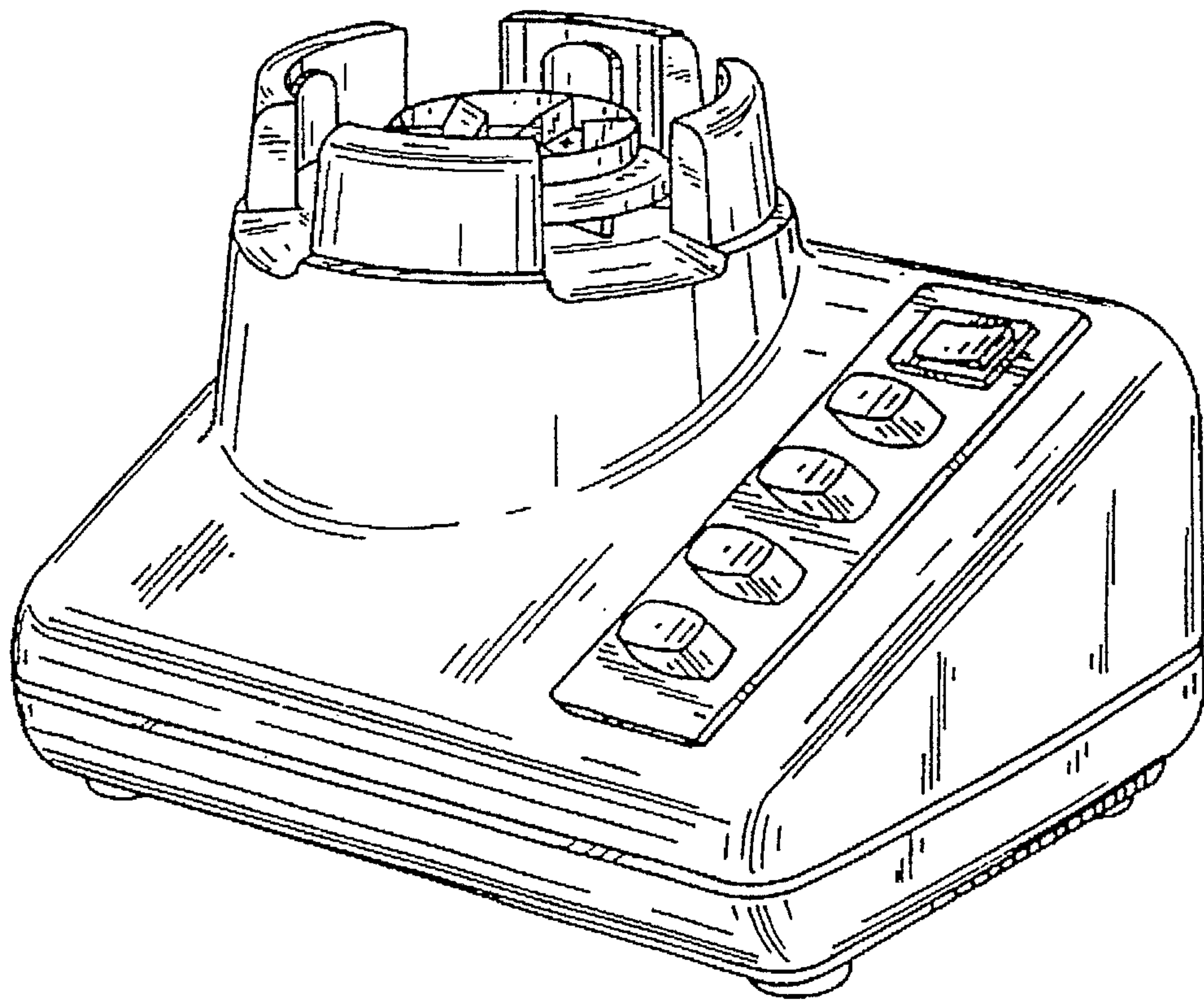


FIG. 1

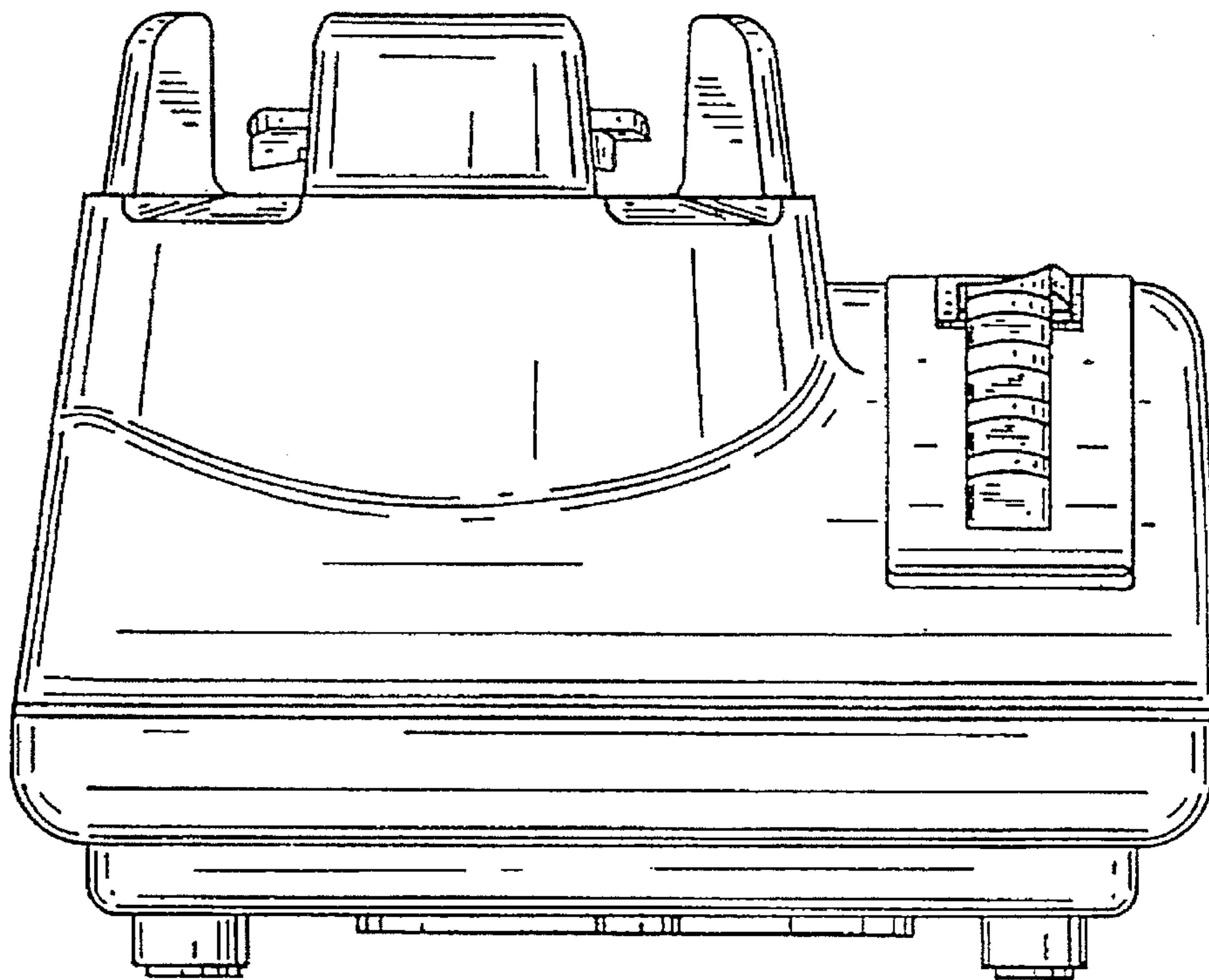


FIG. 2

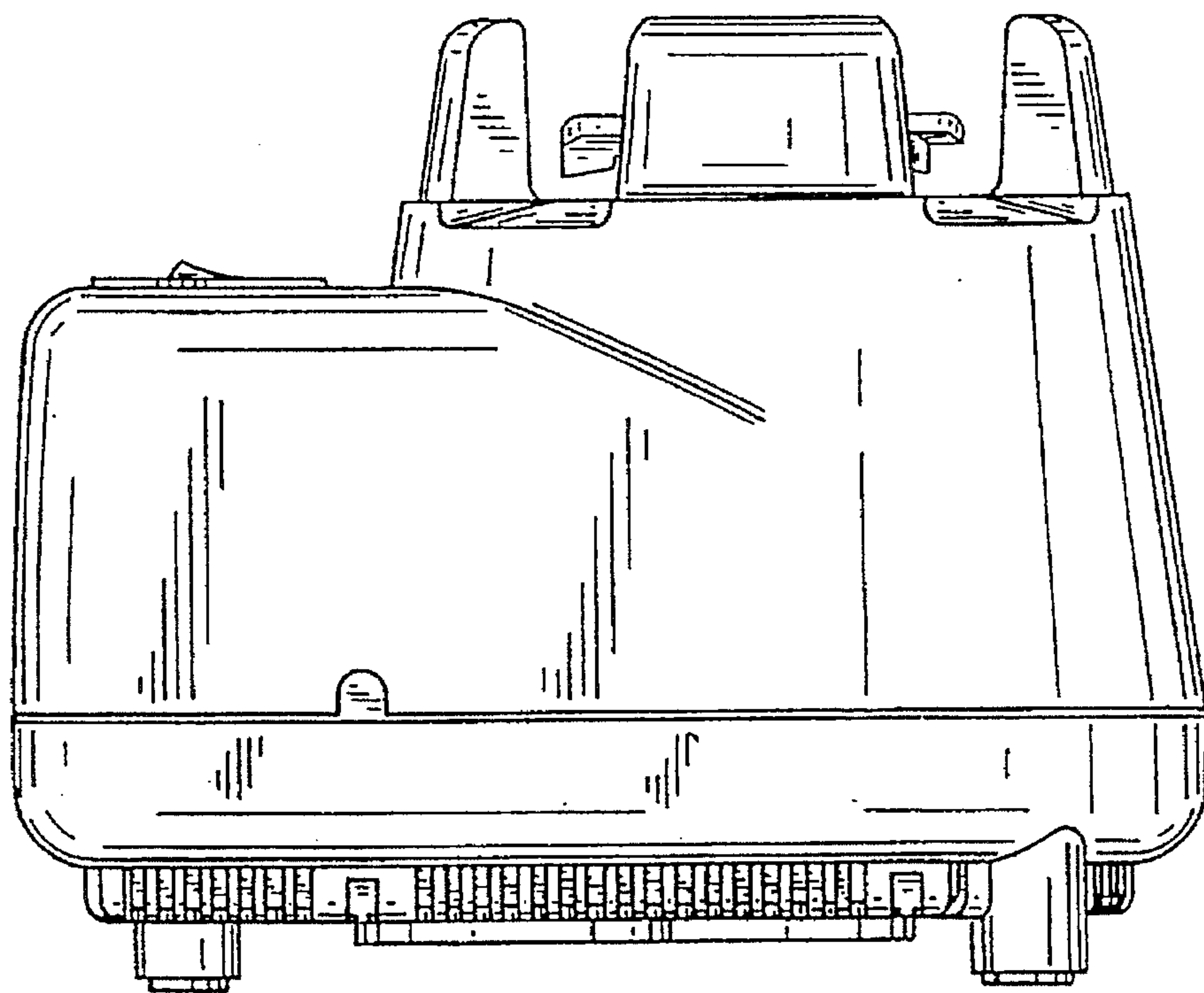


FIG. 3



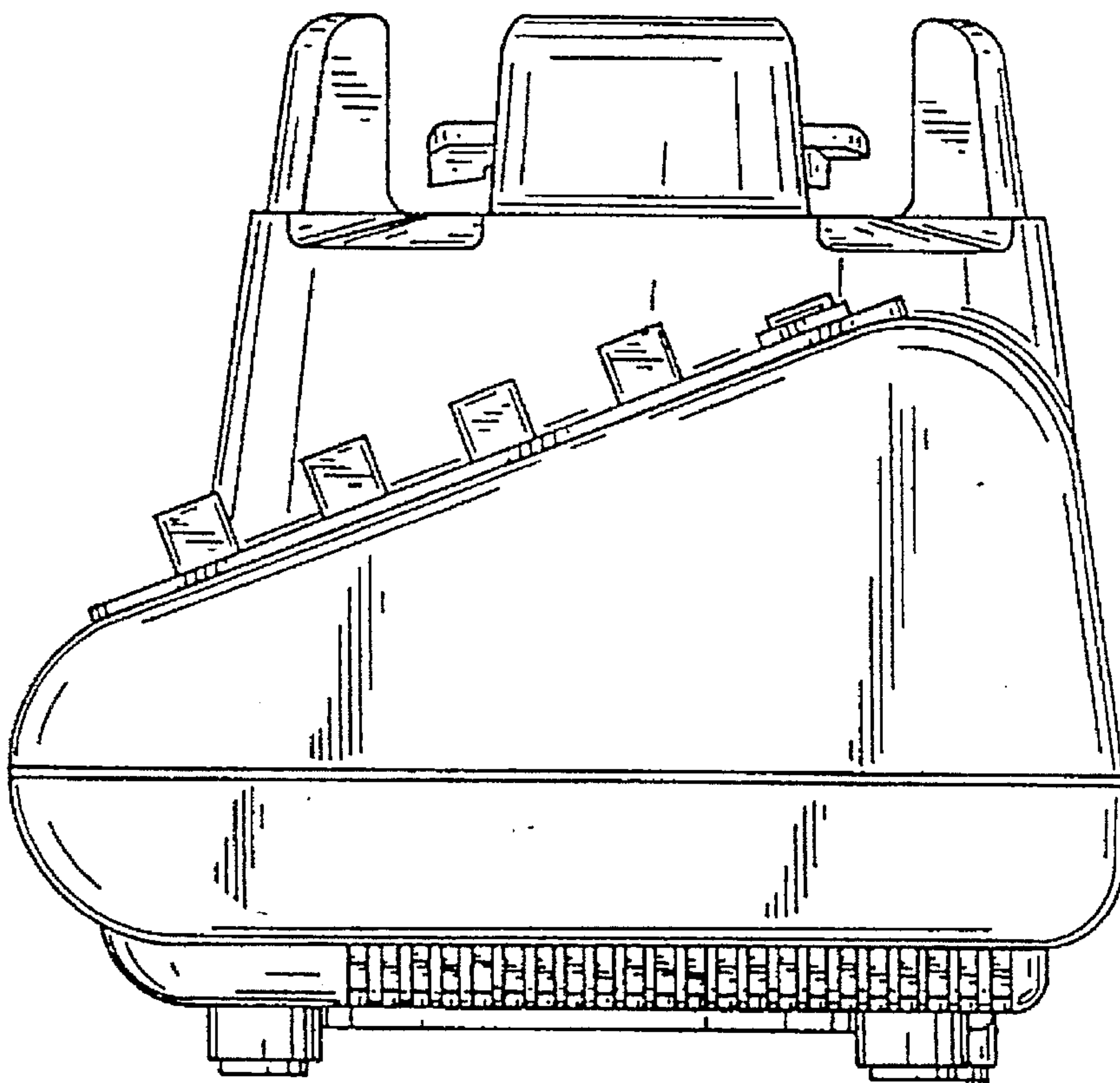
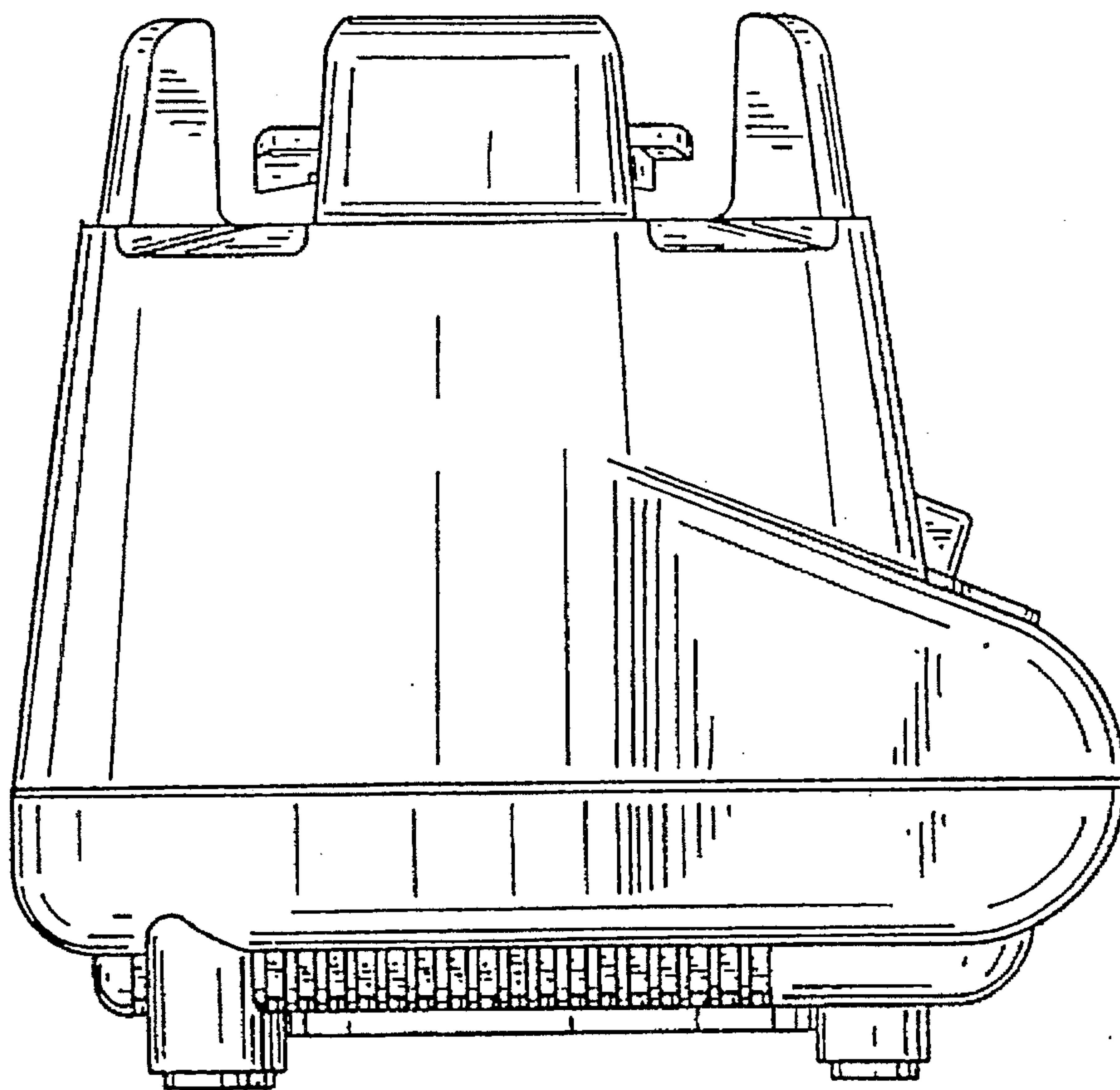


FIG. 4



**FIG. 5**

FIG. 6

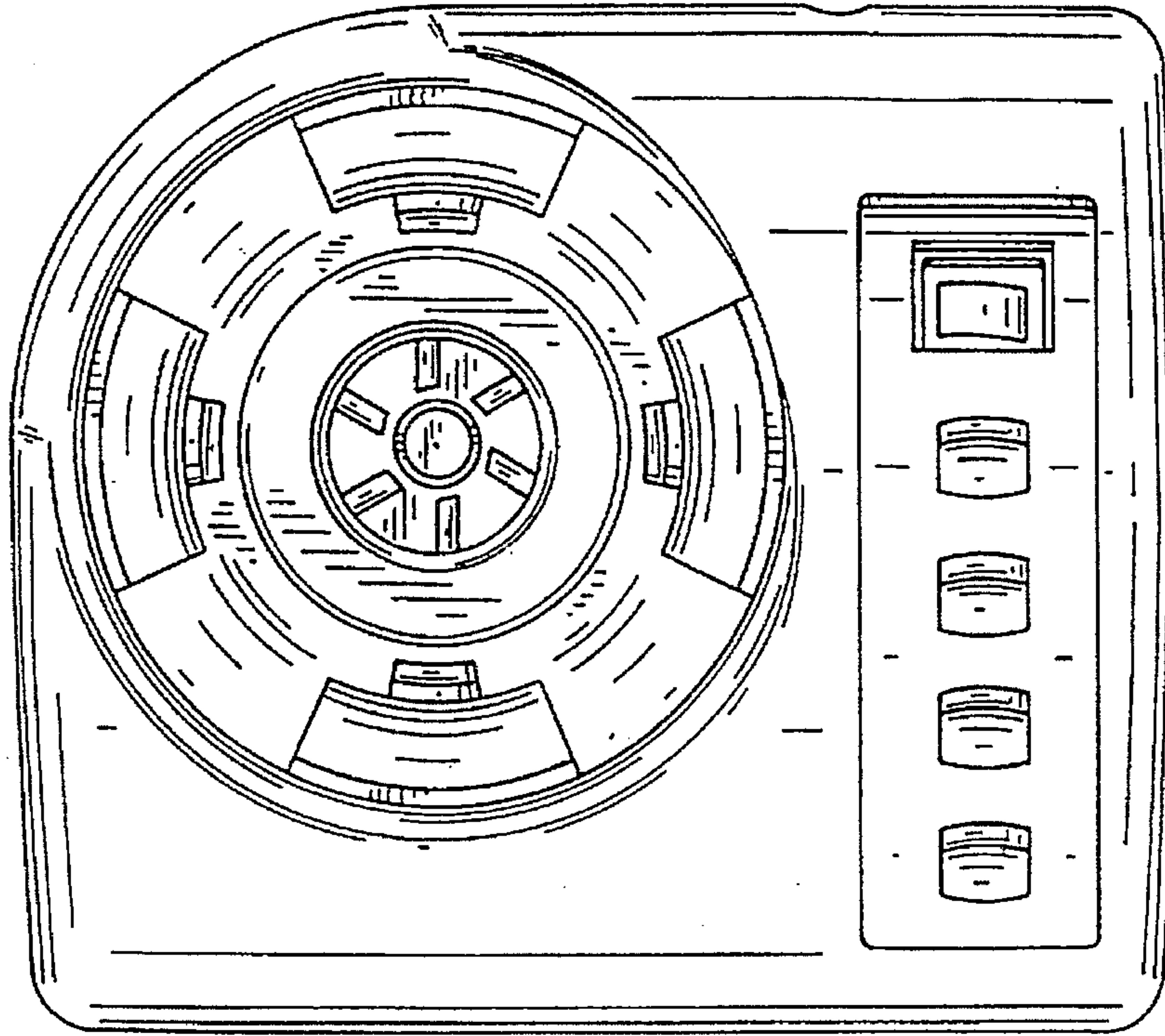


FIG. 7

