



US00D380118S

# United States Patent [19]

[11] Patent Number: Des. 380,118

Ford

[45] Date of Patent: \*\*Jun. 24, 1997

[54] CHILD'S QUILTED SHOPPING CART CUSHION

5,330,250 7/1994 Reyes ..... 297/229

[76] Inventor: Christine Ford, The Cottage, Send Marsh Road, Ripley, Surrey GU23 6JQ, England

Primary Examiner—A. Hugo Word  
Assistant Examiner—Robin V. Taylor  
Attorney, Agent, or Firm—James Creighton Wray

[\*\*] Term: 14 Years

### [57] CLAIM

[21] Appl. No.: 51,464

The ornamental design for a child's quilted shopping cart cushion, as shown and described.

[22] Filed: Mar. 11, 1996

### DESCRIPTION

[51] LOC (6) Cl. .... 06-09

[52] U.S. Cl. .... D6/601

[58] Field of Search ..... D6/610, 611, 601, D6/333, 339; 297/219.1, 219.11, 219.12, 220, 221, 225, 228.1, 229

FIG. 1 is a plan view of a child's quilted shopping cart cushion;

FIG. 2 is bottom view thereof;

FIG. 3 is a side view thereof, the opposite side being a mirror image;

FIG. 4 is a front view thereof in position on a shopping cart; and,

FIG. 5 is a perspective view thereof shown in position on a shopping cart.

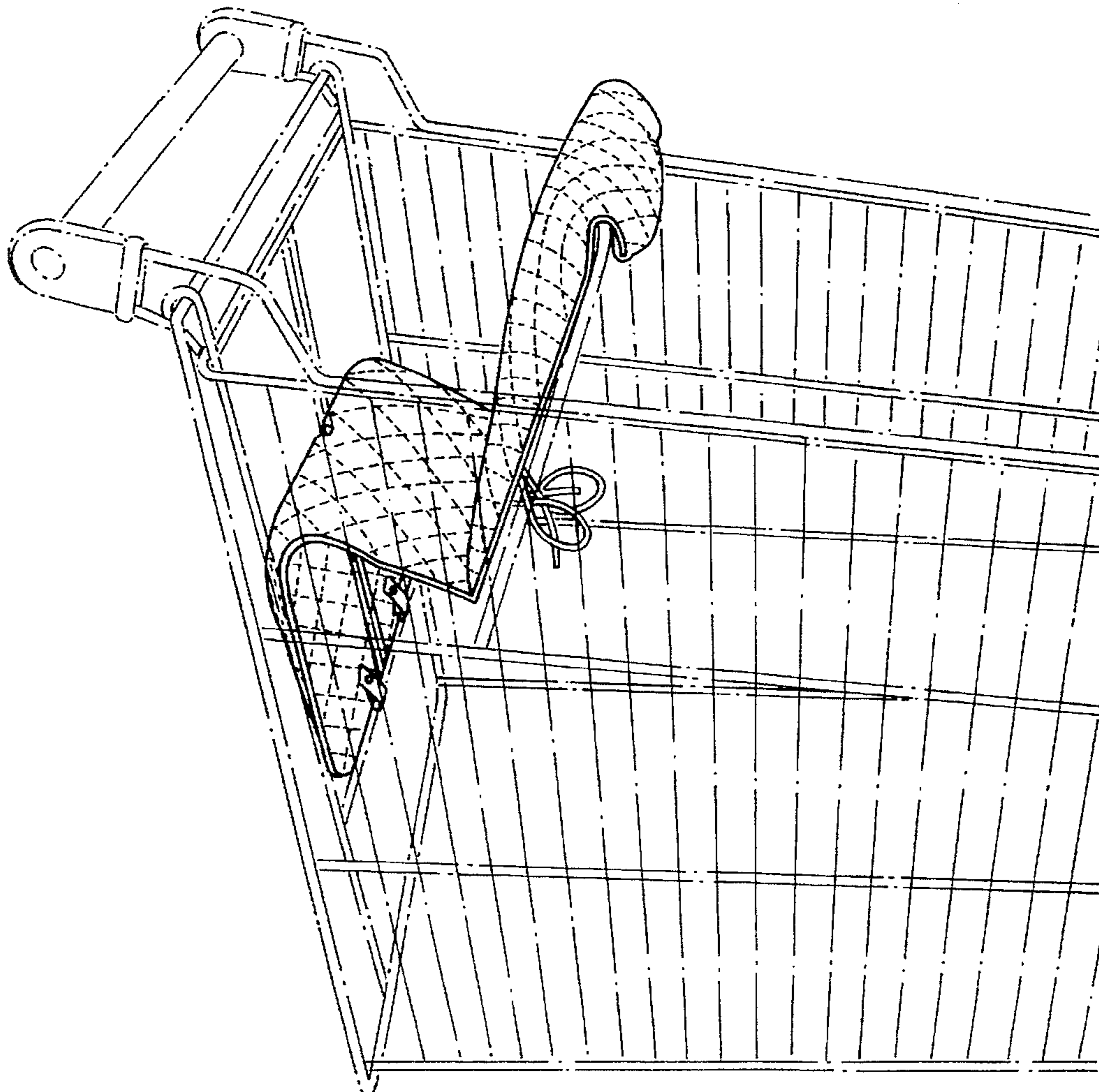
The broken line showing of a shopping cart in FIGS. 4 and 5 is for illustrative purposes only and forms no part of the claimed design.

### [56] References Cited

#### U.S. PATENT DOCUMENTS

D. 289,123	4/1987	Tennen	.....	D6/333
D. 308,614	6/1990	Gordon	.....	D6/611
4,655,502	4/1987	Houllis	.....	297/229
4,666,207	5/1987	Quartanio	.....	297/229
4,805,937	2/1989	Boucher et al.	.....	297/229

1 Claim, 5 Drawing Sheets



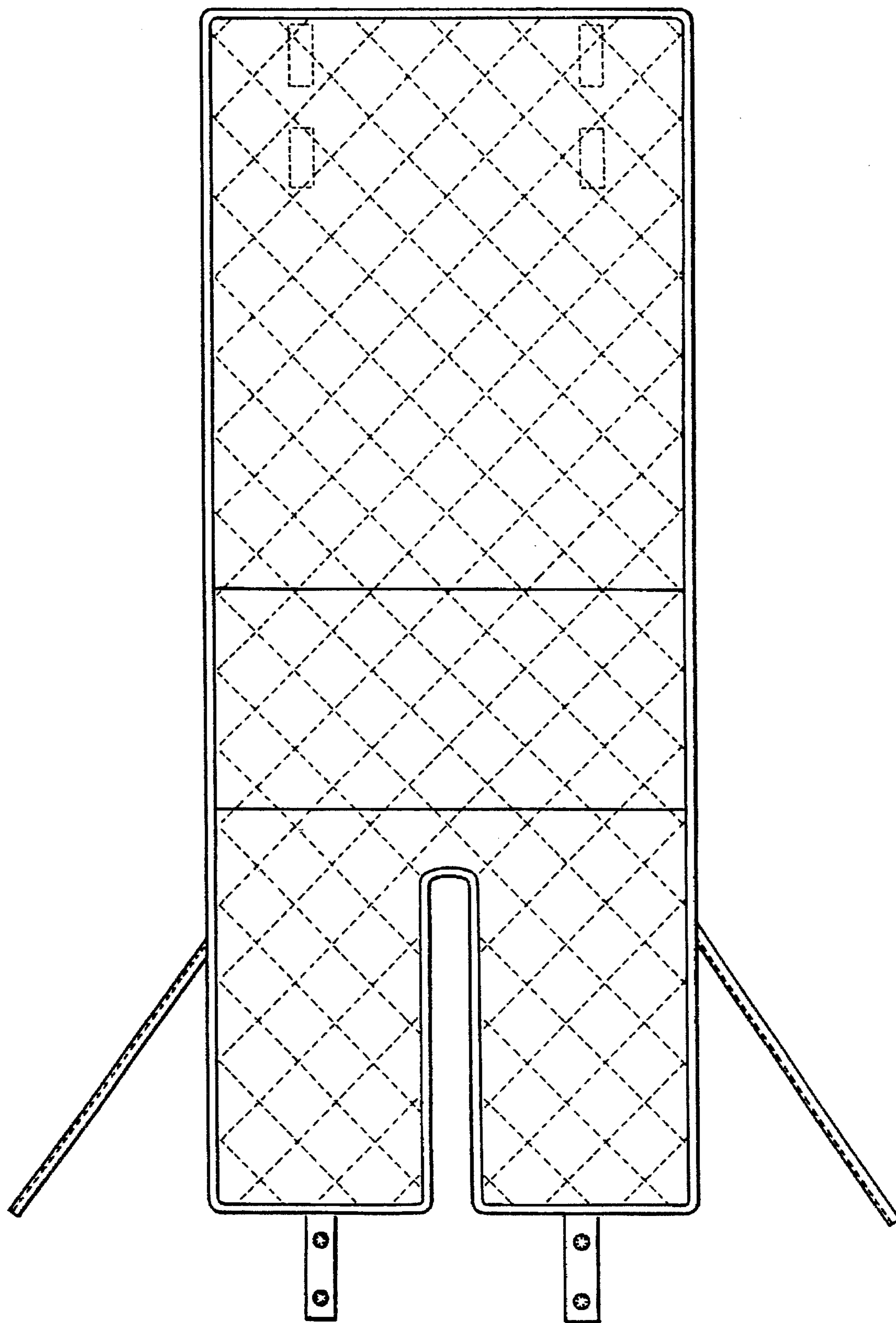


Fig. 1

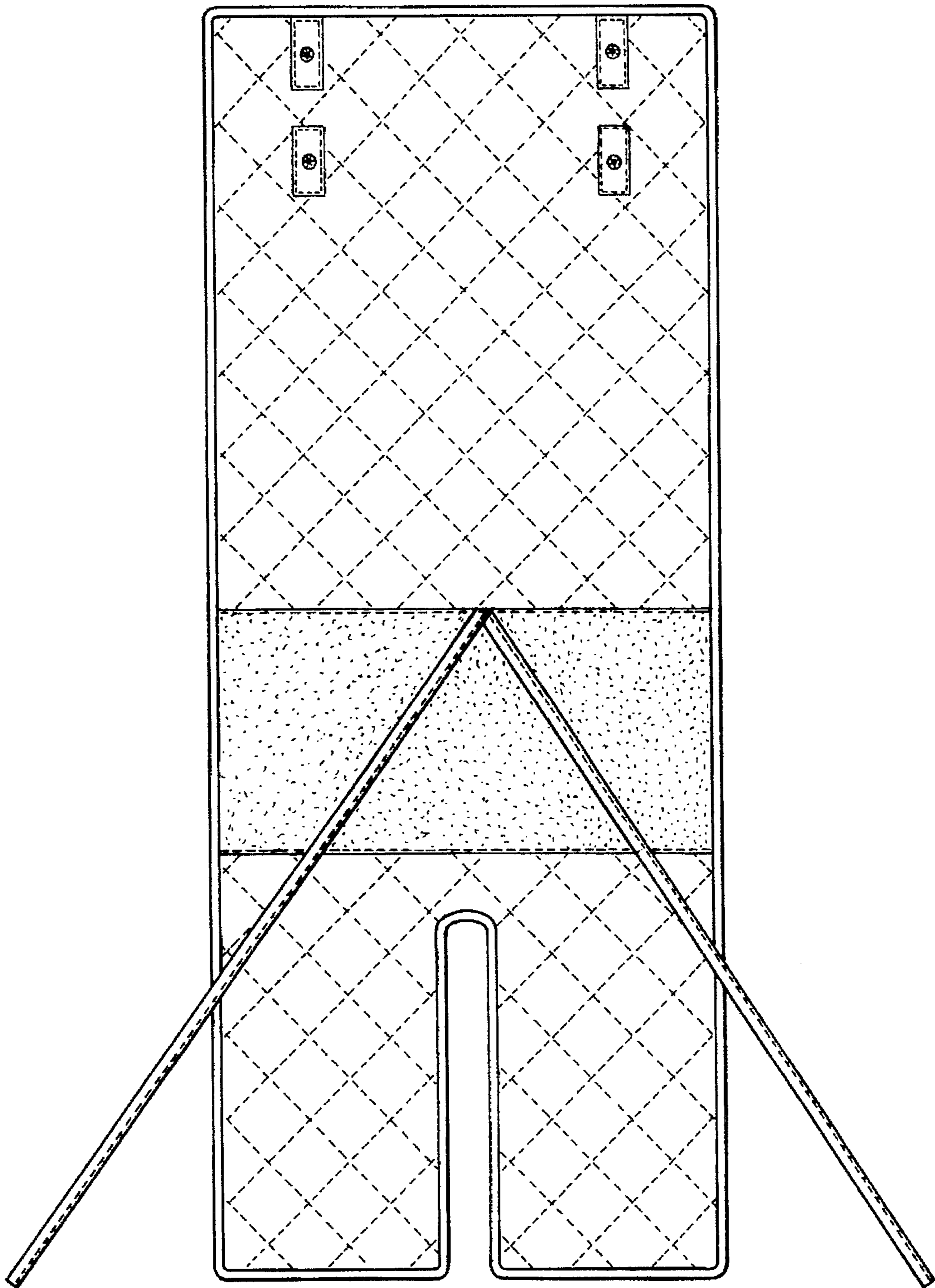


Fig. 2

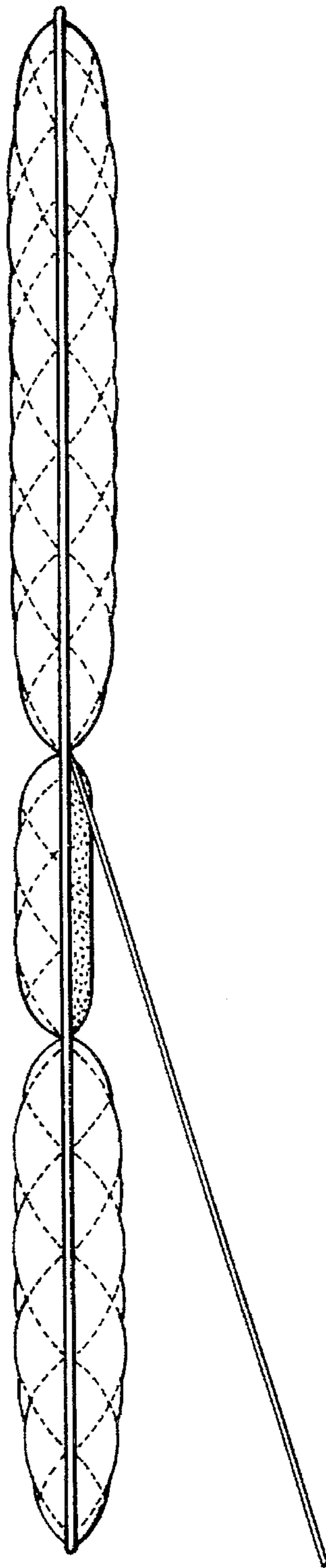


Fig. 3

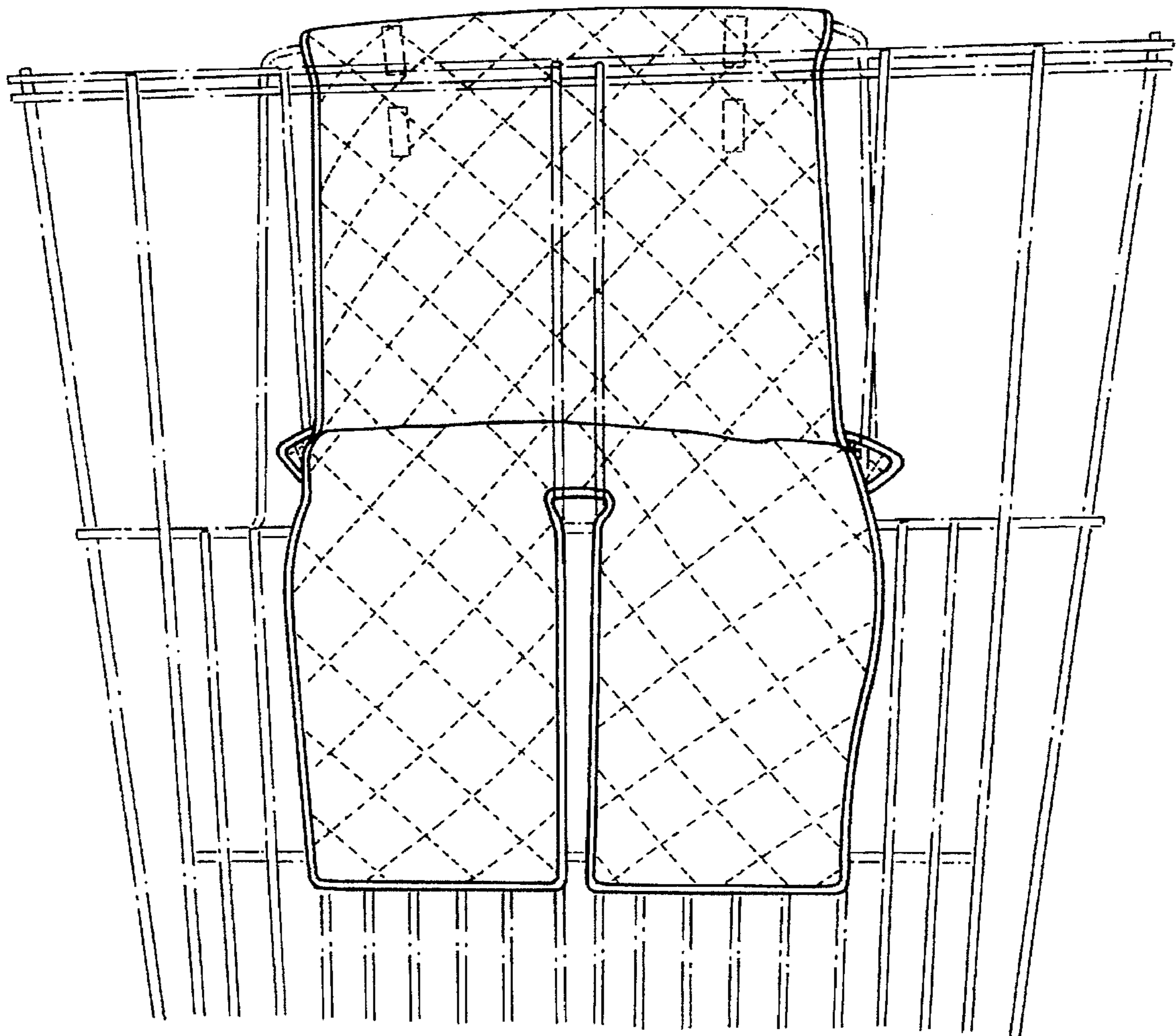


Fig. 4

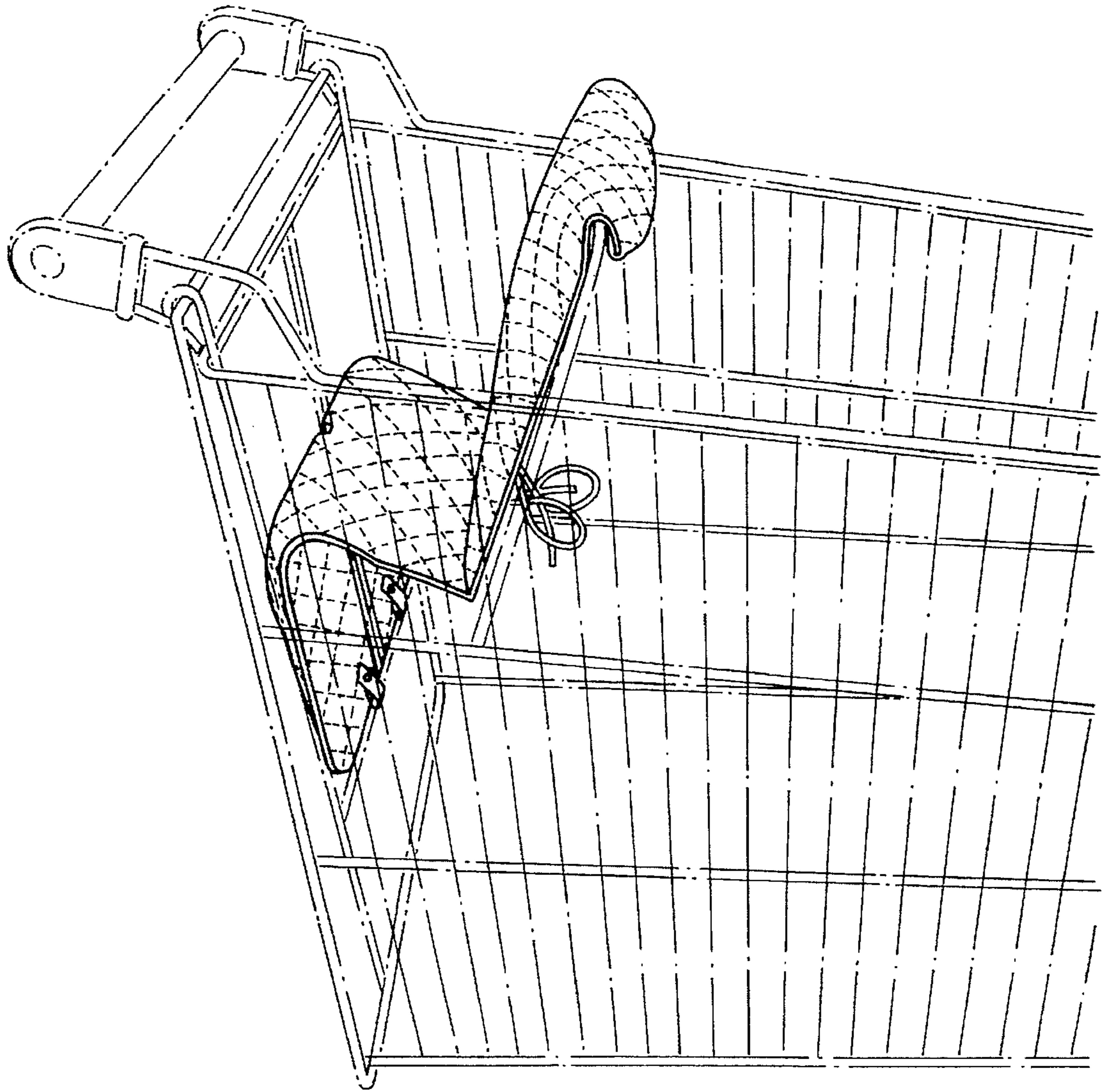


Fig. 5