



US00D380117S

**United States Patent** [19]  
**Smith**

[11] **Patent Number: Des. 380,117**  
[45] **Date of Patent: \*\*Jun. 24, 1997**

[54] **WALL-MOUNTED STORAGE AND PLAY UNIT FOR TOY VEHICLES**

4,527,688 7/1985 Jones et al. .... 206/315.1  
4,696,652 9/1987 Reeder et al. .... 446/75

[76] **Inventor: Charles E. Smith, 617 Walker Rd.,  
Monroe, La. 71203**

*Primary Examiner*—Brian N. Vinson  
*Attorney, Agent, or Firm*—Armstrong, Teasdale, Schlafly &  
Davis

[\*\*] **Term: 14 Years**

[57] **CLAIM**

[21] **Appl. No.: 46,273**

The ornamental design for a wall-mounted storage and play unit for toy vehicles, as shown and described.

[22] **Filed: Nov. 13, 1995**

**DESCRIPTION**

[51] **LOC (6) Cl. .... 06-04**

[52] **U.S. Cl. .... D6/571**

[58] **Field of Search** ..... D6/513, 553, 567,  
D6/569, 571, 396, 449, 480; 312/198, 213,  
234, 242, 245; 211/10, 13, 86-87

FIG. 1 is a perspective view of a wall-mounted storage and play unit for toy vehicles constructed in accordance with my new design;

FIG. 2 is a front elevation view of the wall-mounted storage and play unit for toy vehicles;

FIG. 3 is a rear elevation view of the wall-mounted storage and play unit for toy vehicles;

FIG. 4 is a top plan view of the wall-mounted storage and play unit for toy vehicles;

FIG. 5 is a bottom plan view of the wall-mounted storage and play unit for toy vehicles;

FIG. 6 is a right side elevation view of the wall-mounted storage and play unit for toy vehicles; and,

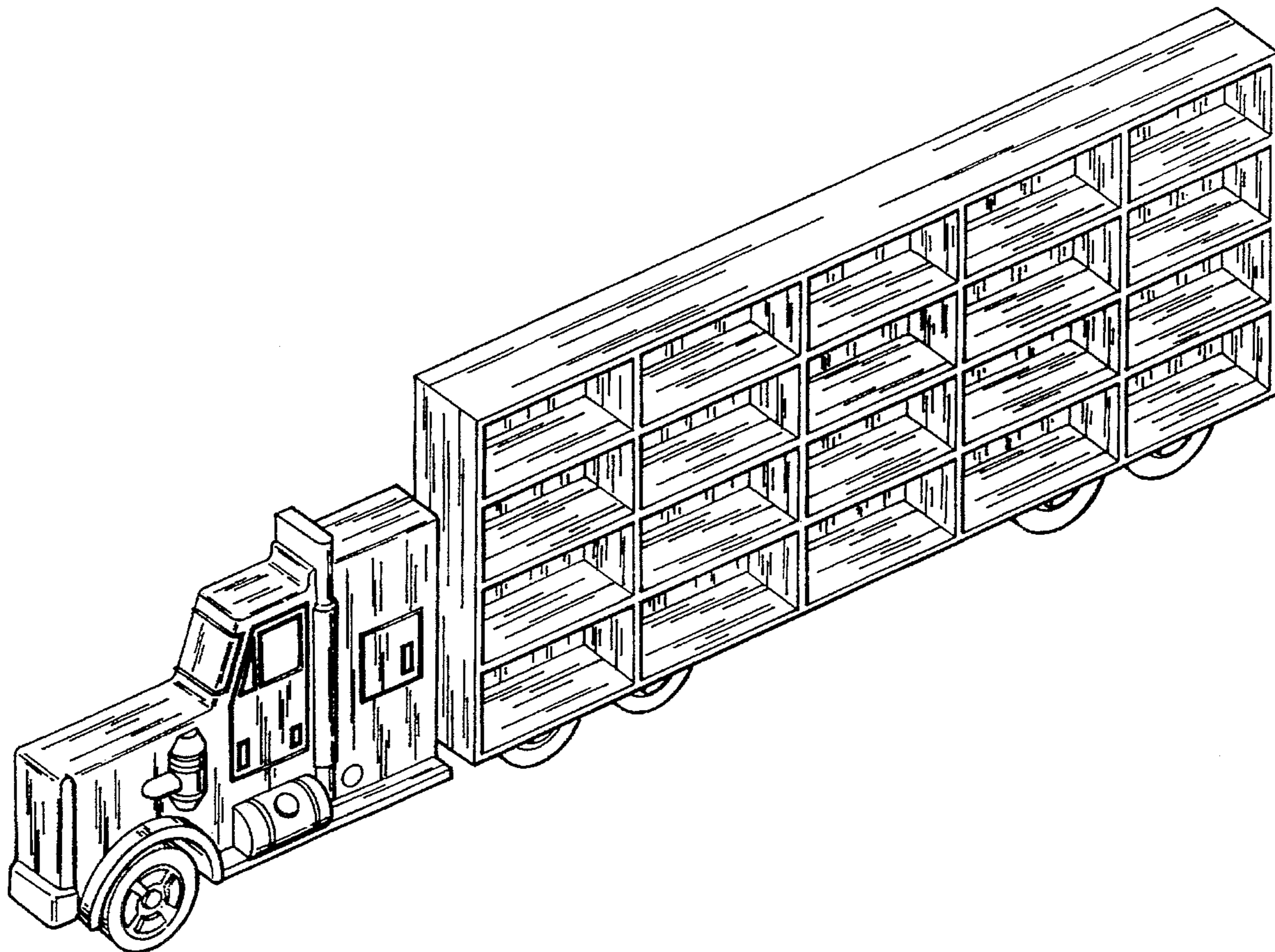
FIG. 7 is a left side elevation view of the wall-mounted storage and play unit for toy vehicles.

[56] **References Cited**

**U.S. PATENT DOCUMENTS**

D. 55,534	6/1920	Sheerin	.....	D6/571
D. 83,726	3/1931	Gifford	.	
D. 215,550	10/1969	Nichols	.....	D6/571
D. 252,720	8/1979	Taylor	.....	D6/154
D. 335,228	5/1993	Barthelmess et al.	.....	D6/450
D. 335,592	5/1993	Barthelmess et al.	.....	D6/450
D. 337,453	7/1993	Mattikow	.....	D6/407
D. 338,573	8/1993	Mattikow	.....	D6/407
D. 344,758	3/1994	Kijmedee	.....	D6/571 X
4,416,493	11/1983	Summer	.....	312/245

**1 Claim, 3 Drawing Sheets**



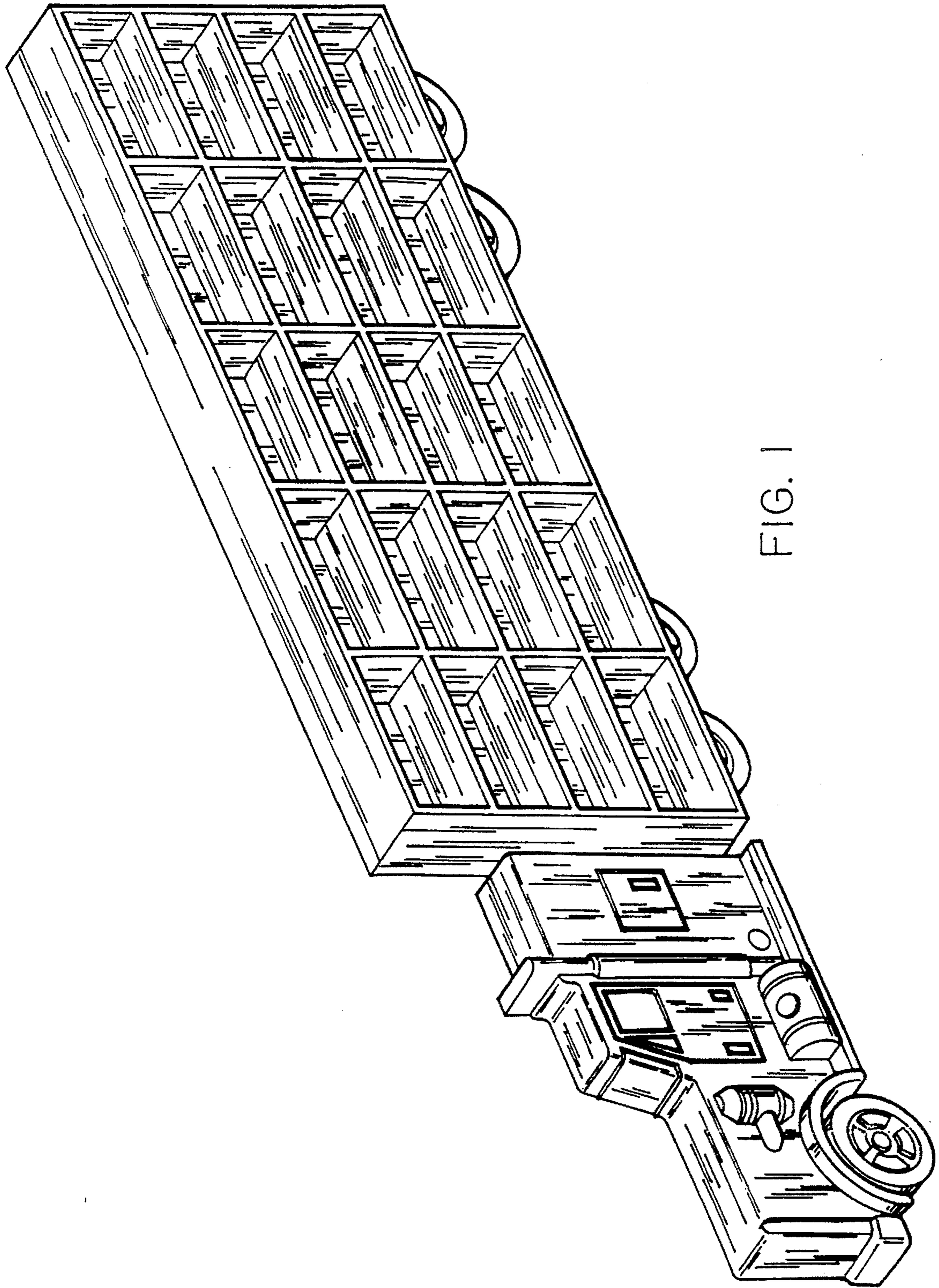


FIG. 1

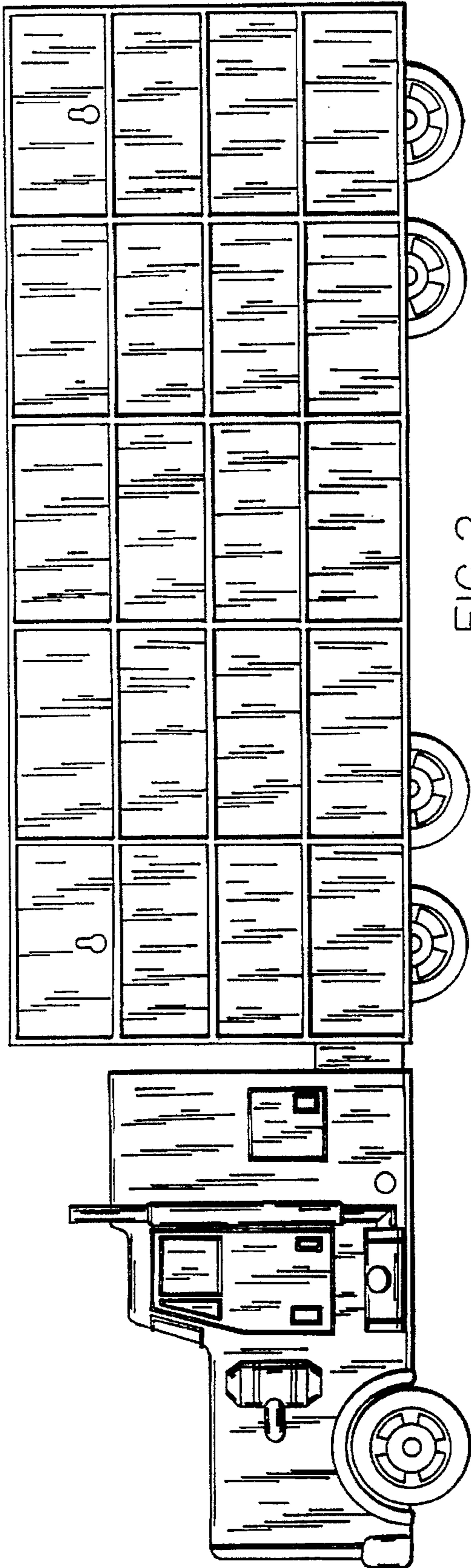


FIG. 2

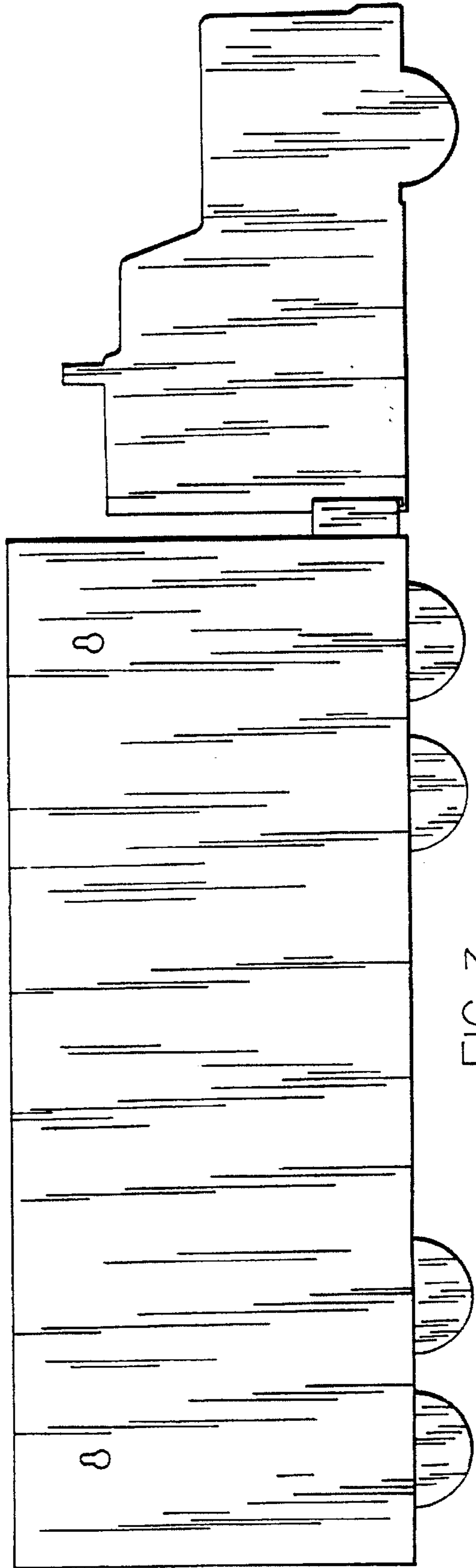


FIG. 3



FIG. 4



FIG. 5

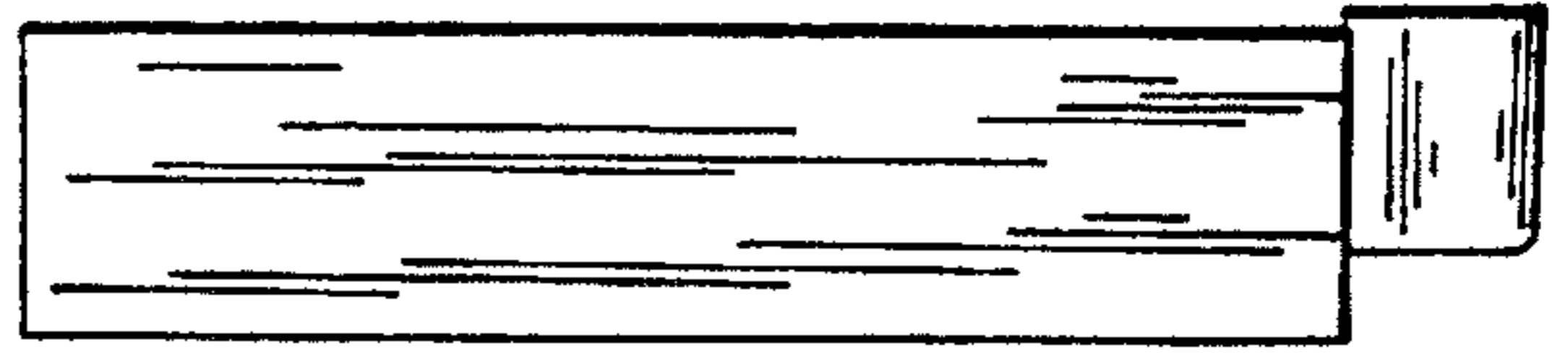


FIG. 6



FIG. 7