



US00D380114S

United States Patent [19] Albright

[11] Patent Number: Des. 380,114

[45] Date of Patent: **Jun. 24, 1997

[54] HOME DISPENSER FOR FEMININE HYGIENE PRODUCTS

[76] Inventor: Lydia D. Albright, 295 22nd St., Brooklyn, N.Y. 11215

[**] Term: 14 Years

[21] Appl. No.: 49,187

[22] Filed: Jan. 19, 1996

[51] LOC (6) Cl. 07-07

[52] U.S. Cl. D6/515; D34/9

[58] Field of Search D6/515, 517; D34/1, D34/7, 8, 9; D32/37; 221/282, 284, 186, 188; 222/173; 211/13; 220/262

[56] **References Cited**

U.S. PATENT DOCUMENTS

- D. 258,764 3/1981 Black .
- D. 261,720 11/1981 Brazis D34/9
- D. 263,354 3/1982 Jones .
- D. 309,067 7/1990 Arrias .

- D. 319,905 9/1991 Hotchkiss D34/9
- D. 346,057 4/1994 Carreras D34/9
- 4,275,819 6/1981 Perez 221/186
- 4,750,640 6/1988 Kobeck et al. .
- 4,827,817 5/1989 Grohoski et al. .

Primary Examiner—Brian N. Vinson
Attorney, Agent, or Firm—Patterson & Keough, P.A.

[57] **CLAIM**

The ornamental design for home dispenser for feminine hygiene products, as shown and described.

DESCRIPTION

FIG. 1 is a perspective view of the dispenser design; FIG. 2 is a top view thereof; FIG. 3 is a front elevational view thereof; FIG. 4 is a rear elevational view thereof; FIG. 5 is a side elevational view thereof; FIG. 6 is a bottom plan view thereof; and, FIG. 7 is a perspective view thereof with the lid portion raised.

1 Claim, 3 Drawing Sheets

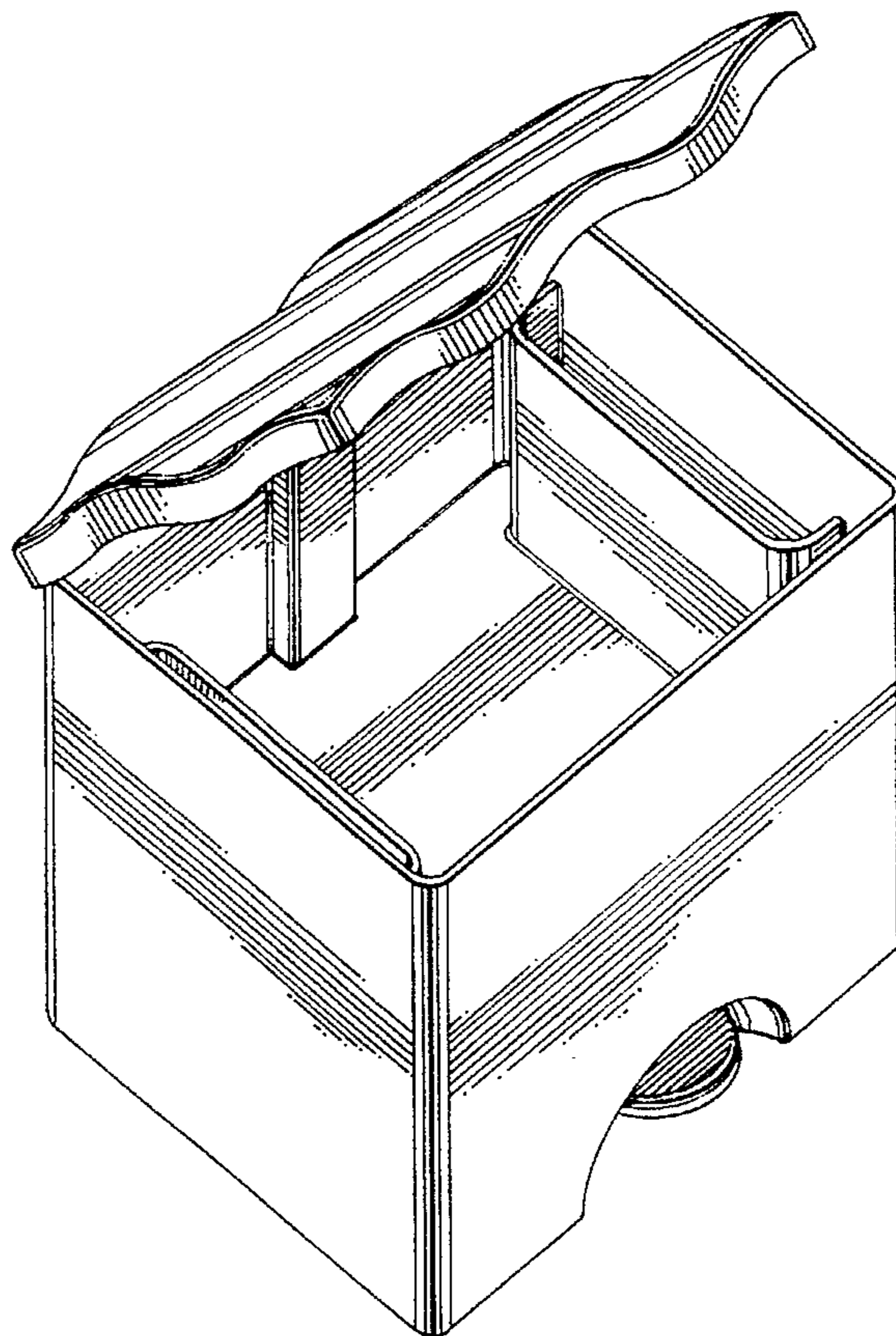
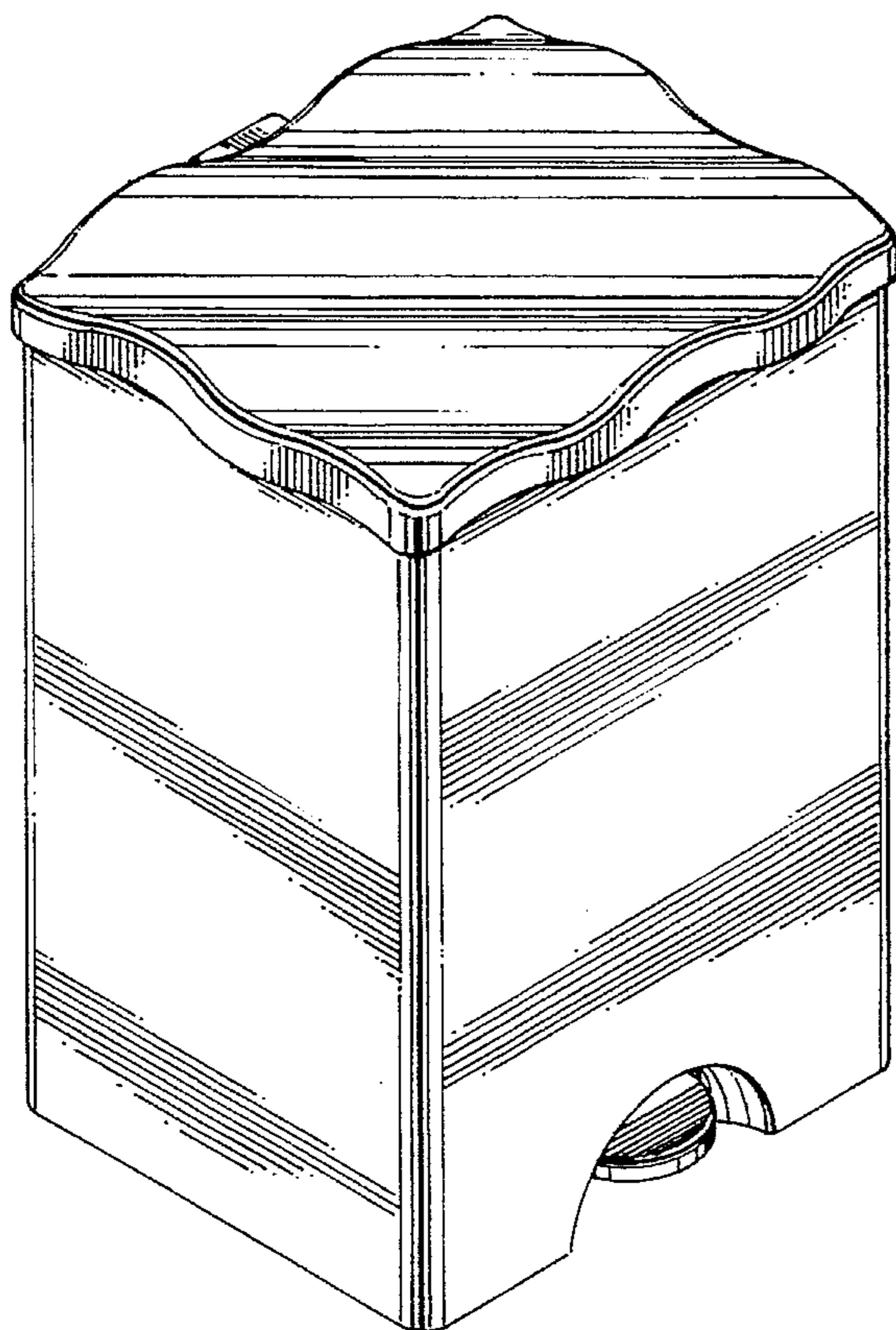


Fig. 1

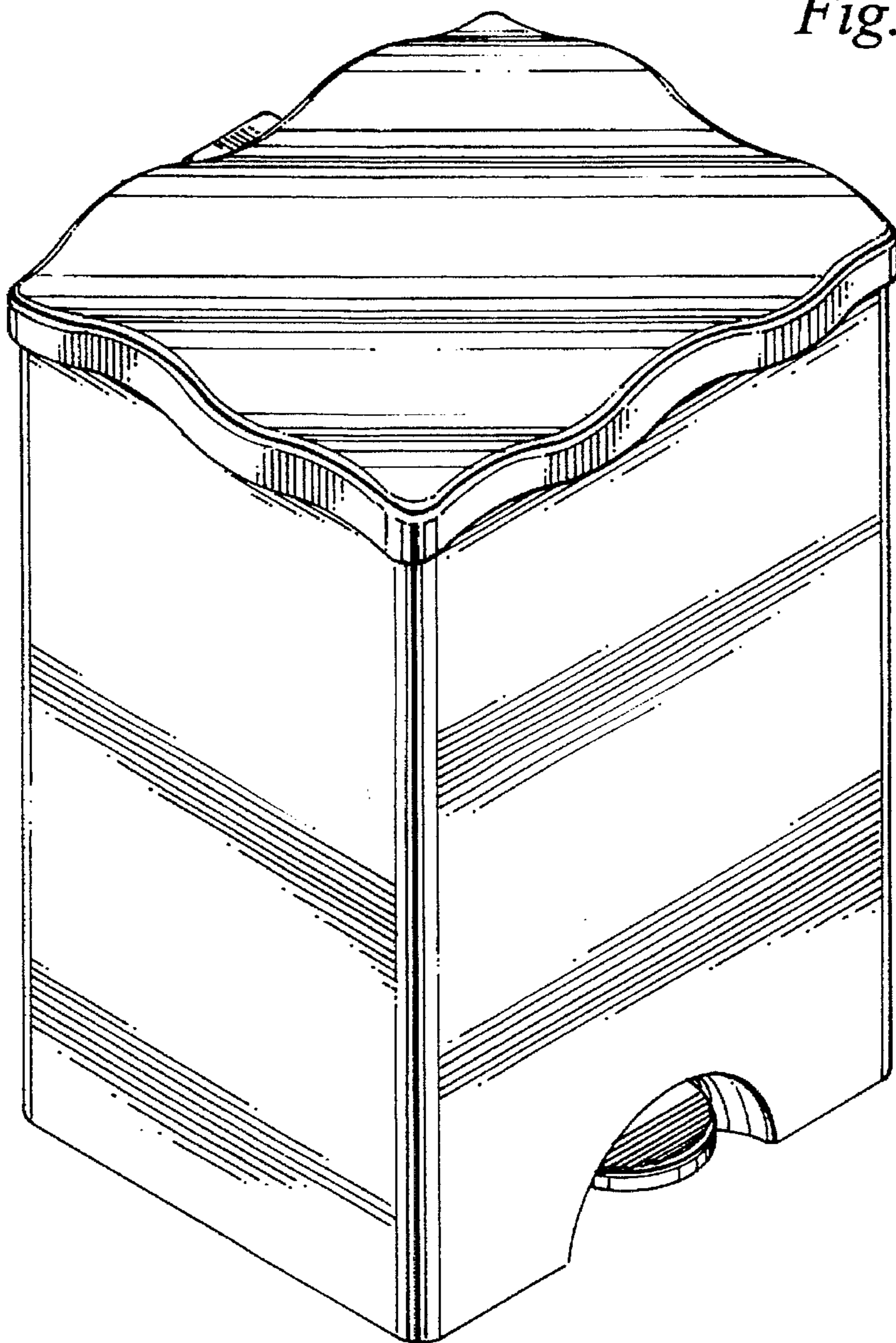


Fig. 2

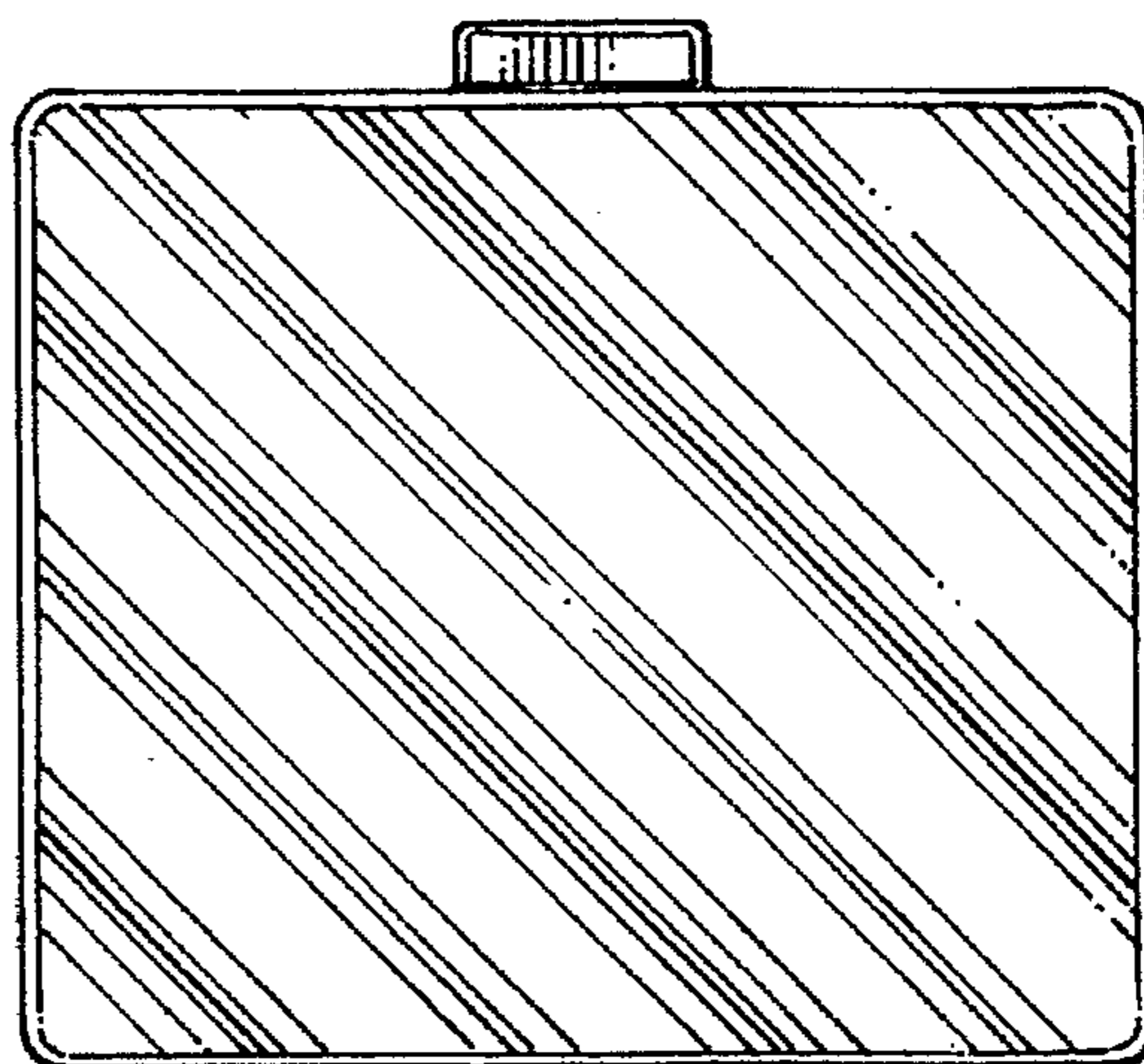


Fig. 5

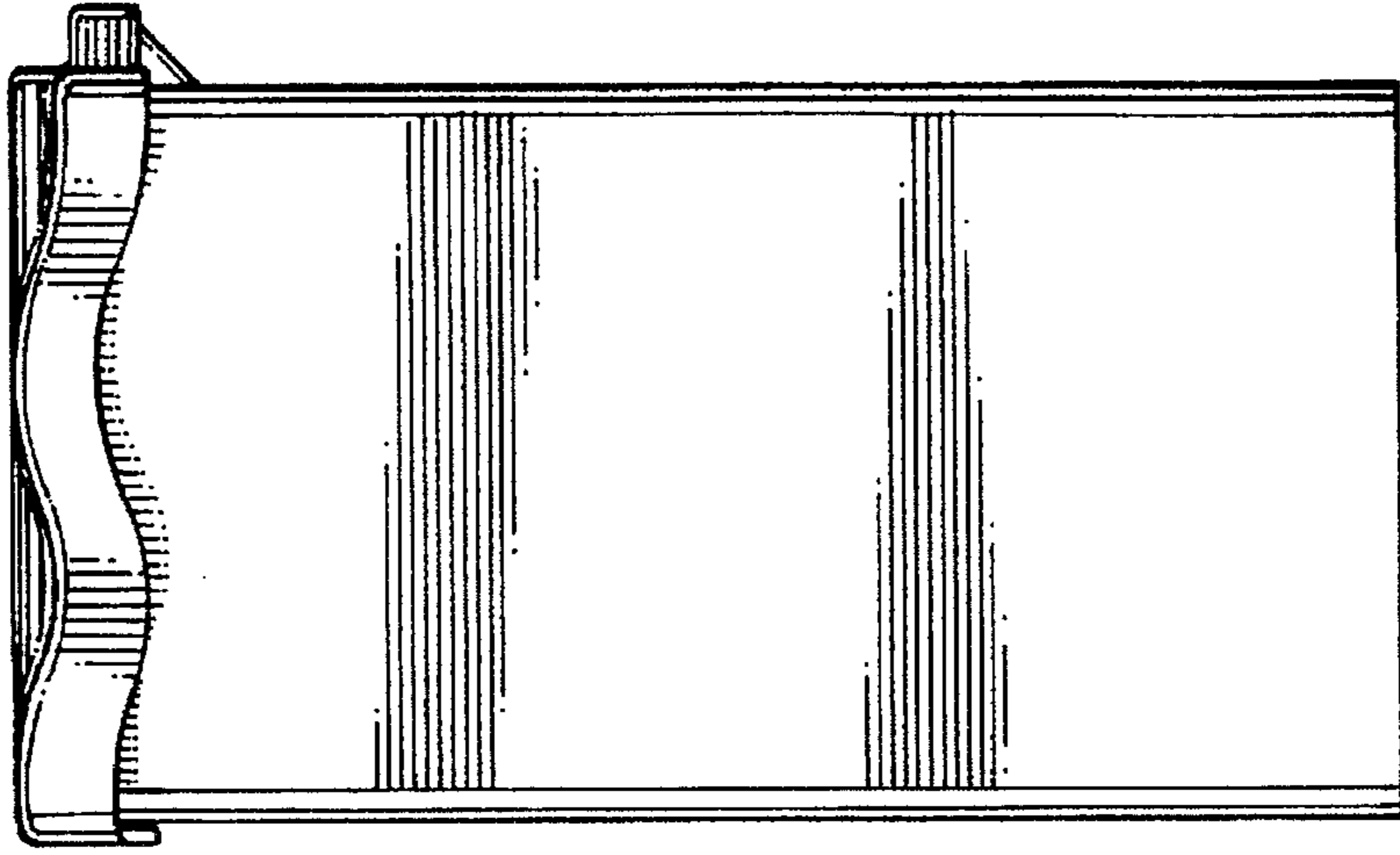


Fig. 4

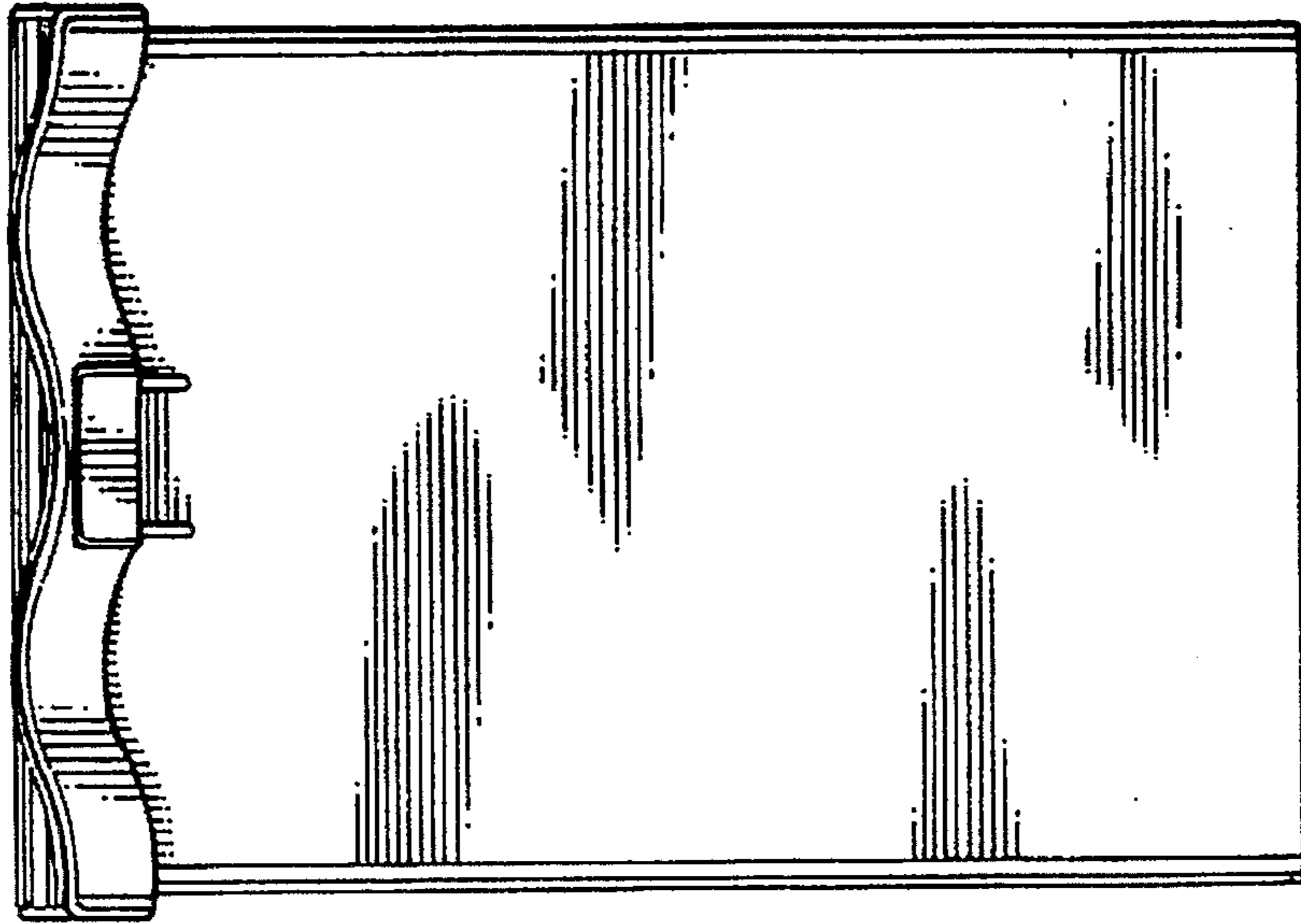


Fig. 3

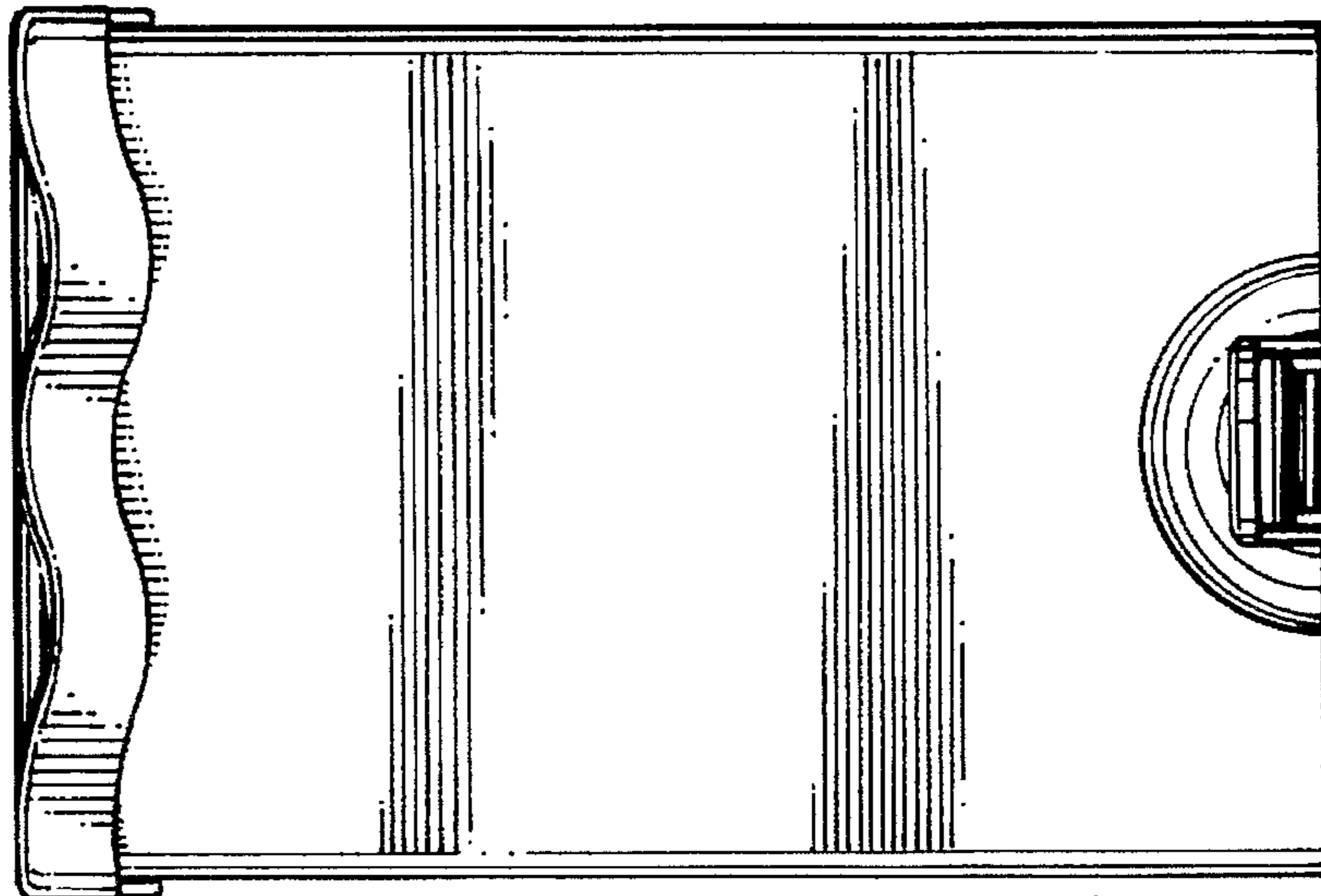


Fig. 7

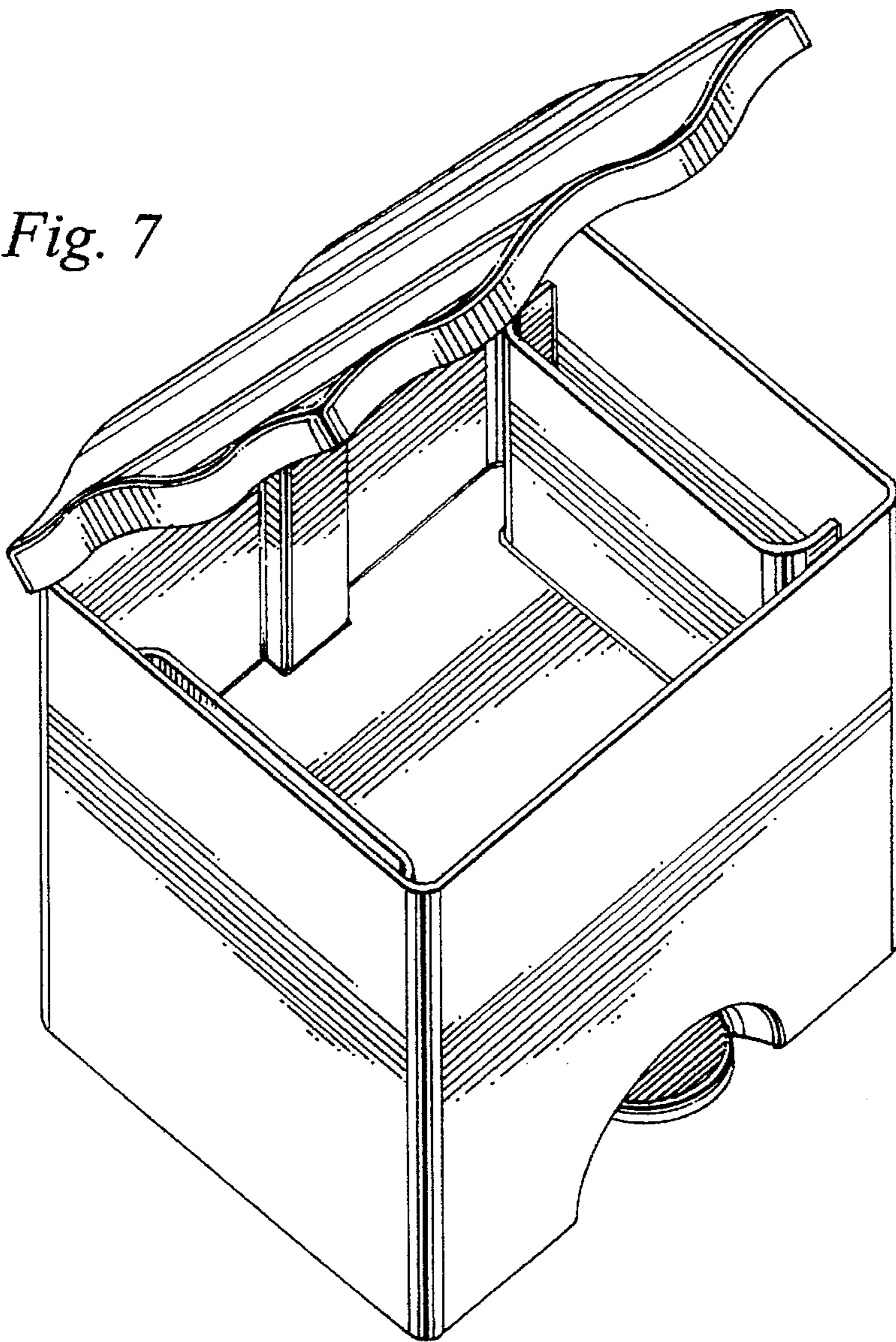


Fig. 6

