



US00D380112S

# United States Patent [19]

[11] Patent Number: **Des. 380,112**

Peters

[45] Date of Patent: **\*\*Jun. 24, 1997**

[54] **STOCKADE DRAWER**

[76] Inventor: **David Peters**, 285 Washington St.,  
Somerville, Mass. 02143

[\*\*] Term: **14 Years**

D. 329,727	9/1992	Dewitt	.....	D6/462 X
D. 334,355	3/1993	Moody	.....	D11/130.1 X
D. 342,142	12/1993	Jablonski	.....	D3/306 X
D. 346,290	4/1994	Cifra	.....	D6/462 X
4,245,746	1/1981	Aylor	.....	211/40
5,480,026	1/1996	Darling et al.	.....	211/126 X

[21] Appl. No.: **51,261**

*Primary Examiner*—Jeffrey Asch  
*Attorney, Agent, or Firm*—Herbert L. Bello

[22] Filed: **Mar. 7, 1996**

[57] **CLAIM**

[51] **LOC (6) Cl.** ..... **06-06**

The ornamental design for a stockade drawer, as shown and described.

[52] **U.S. Cl.** ..... **D6/510; D3/304; D6/475**

[58] **Field of Search** ..... D3/304, 306, 314,  
D3/315; D6/509-511, 449, 455, 462, 466,  
475-479, 407; D11/131, 130.1; 211/13,  
40, 41, 42, 126; 312/330.1; D21/107, 108

### DESCRIPTION

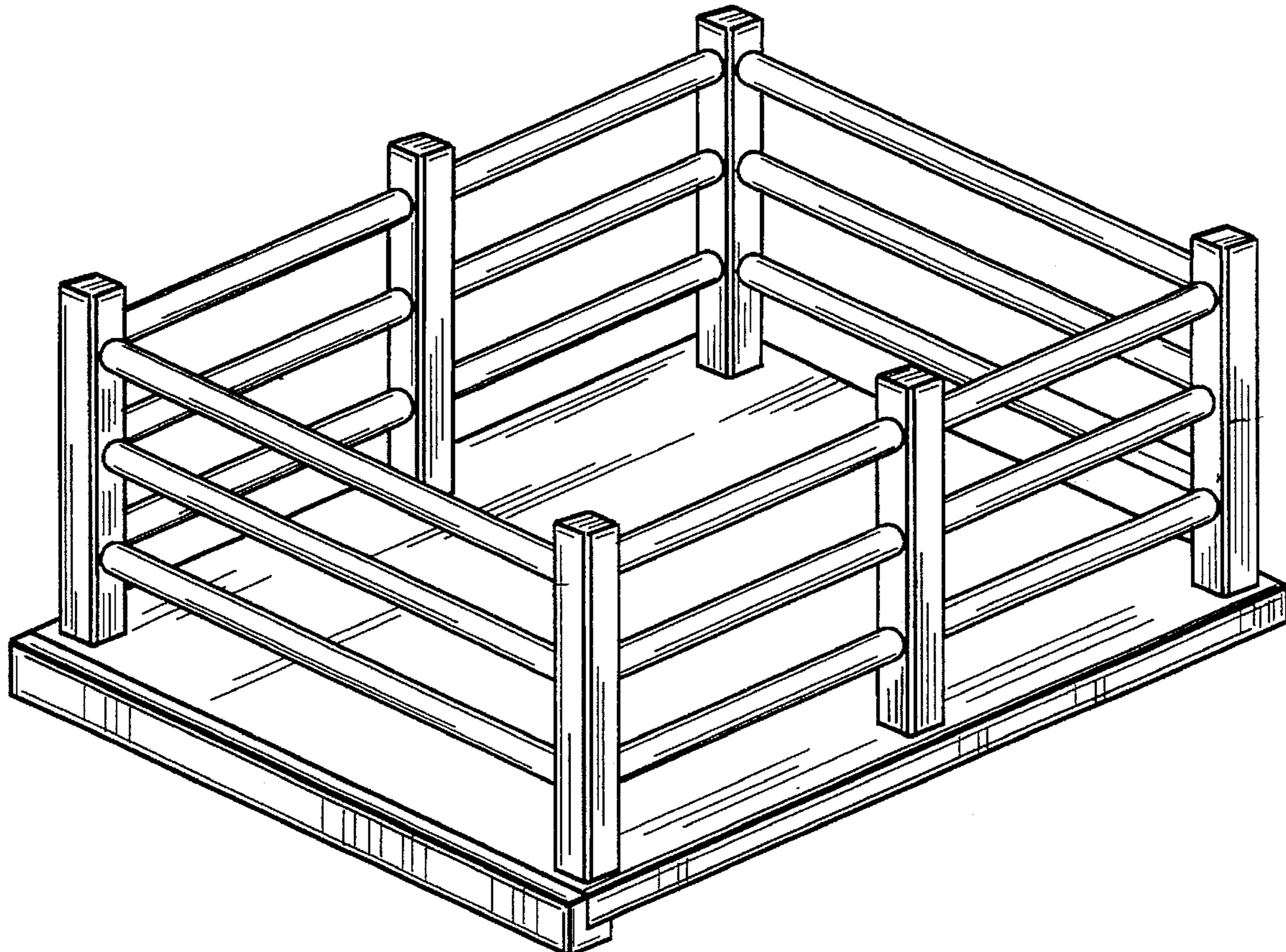
FIG. 1 is a perspective view of a stockade drawer showing my new design;  
FIG. 2 is a front elevational view thereof;  
FIG. 3 is a rear elevational view thereof;  
FIG. 4 is a right side elevational view thereof;  
FIG. 5 is a left elevational view thereof;  
FIG. 6 is a bottom plan view thereof; and,  
FIG. 7 is a top plan view thereof.

[56] **References Cited**

**U.S. PATENT DOCUMENTS**

D. 158,480	5/1950	Long	.....	D3/314
D. 247,537	3/1978	Kola	.....	D6/479 X
D. 259,529	6/1981	Kola	.....	D6/479 X
D. 270,973	10/1983	Brunner et al.	.....	D6/478
D. 279,039	5/1985	Walden	.....	D3/304 X

**1 Claim, 4 Drawing Sheets**



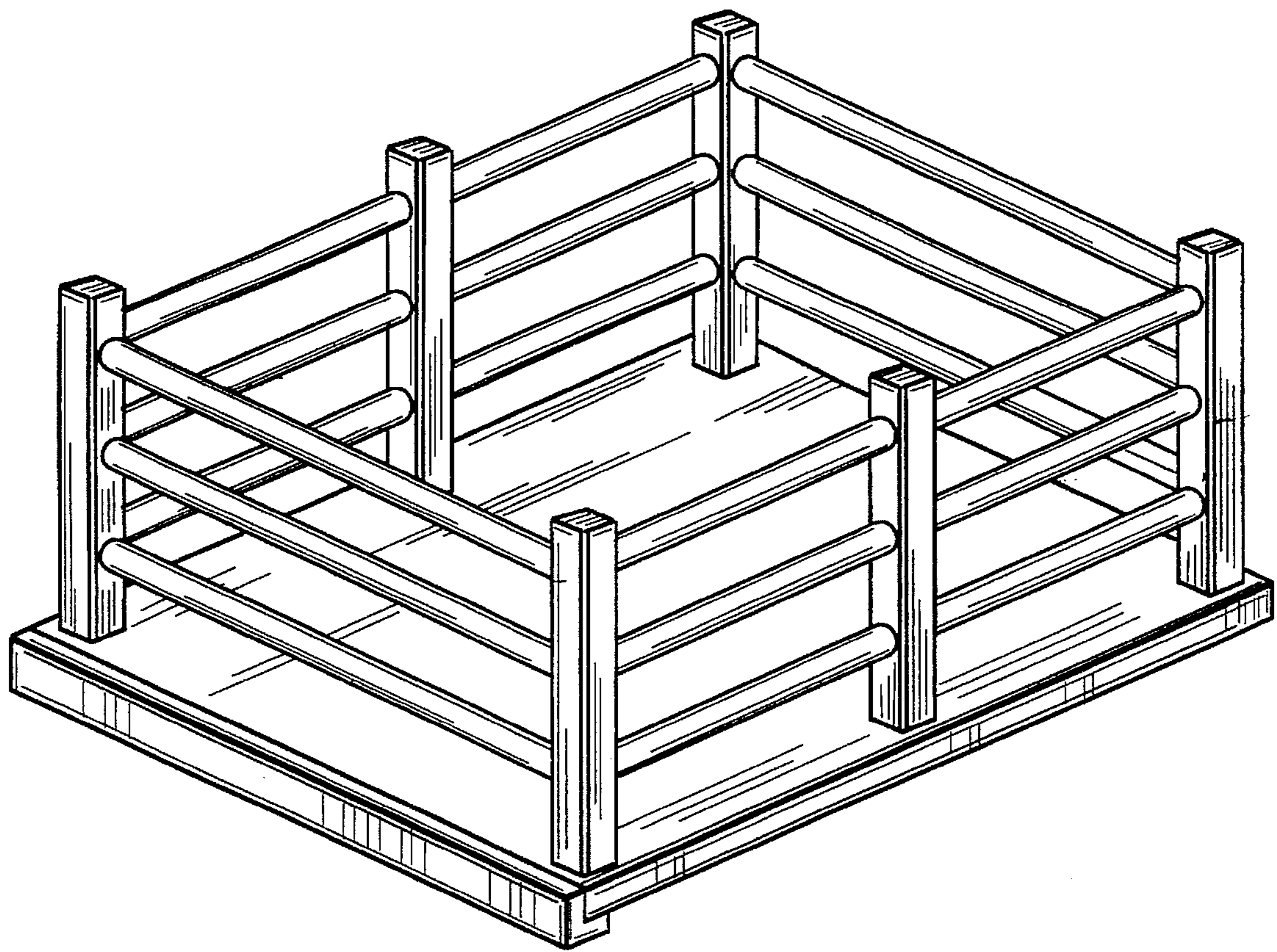


FIG. 1

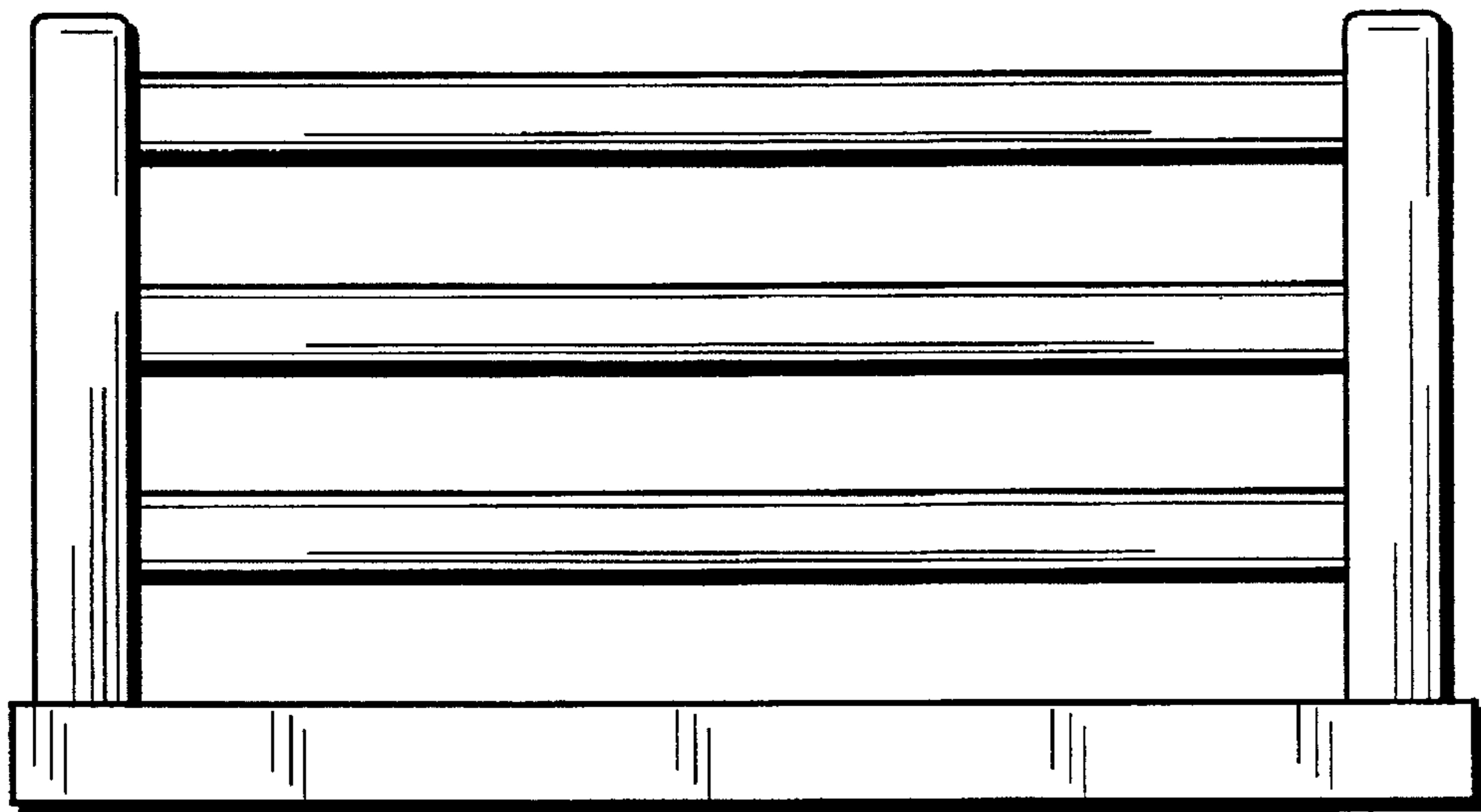


FIG. 2

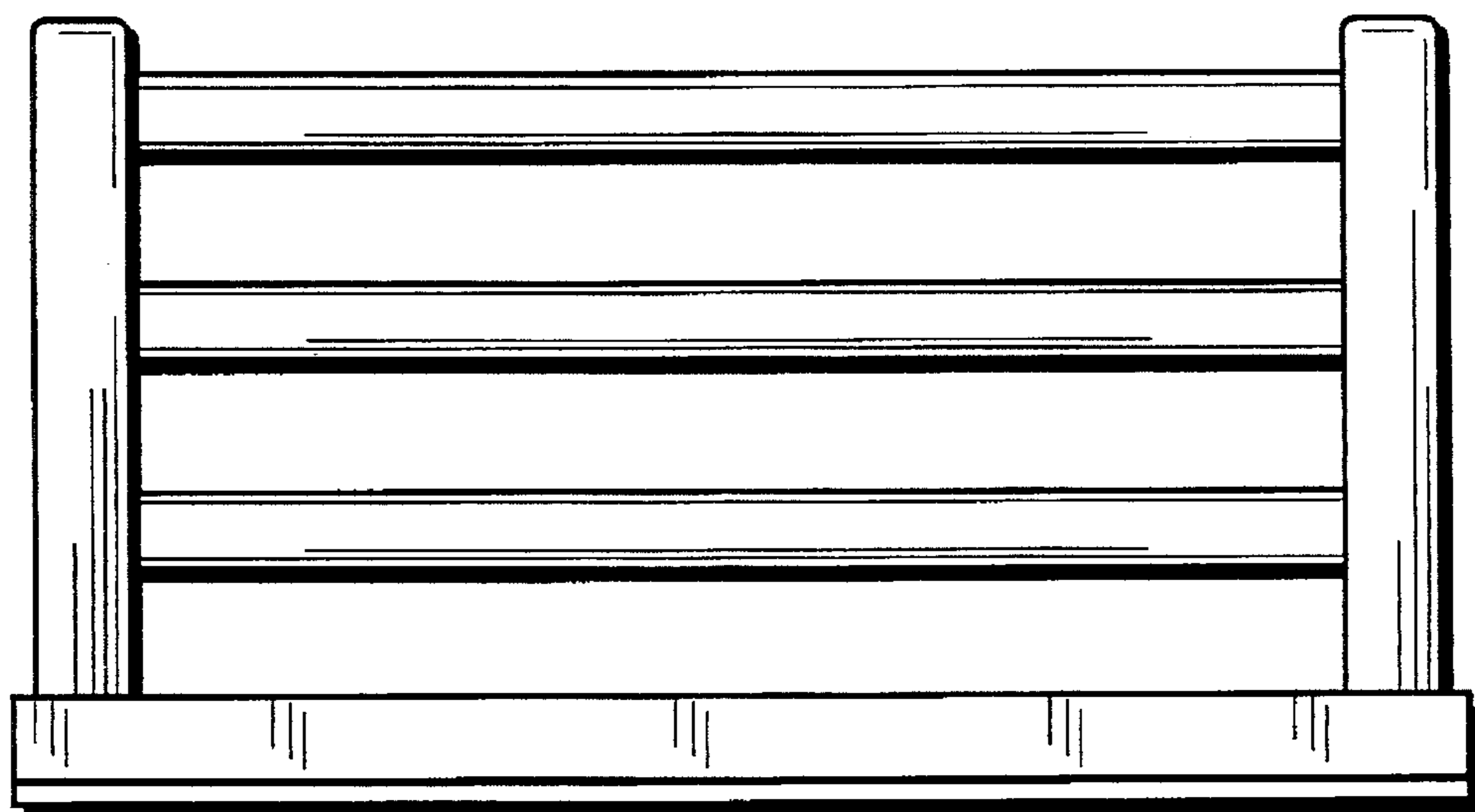


FIG. 3



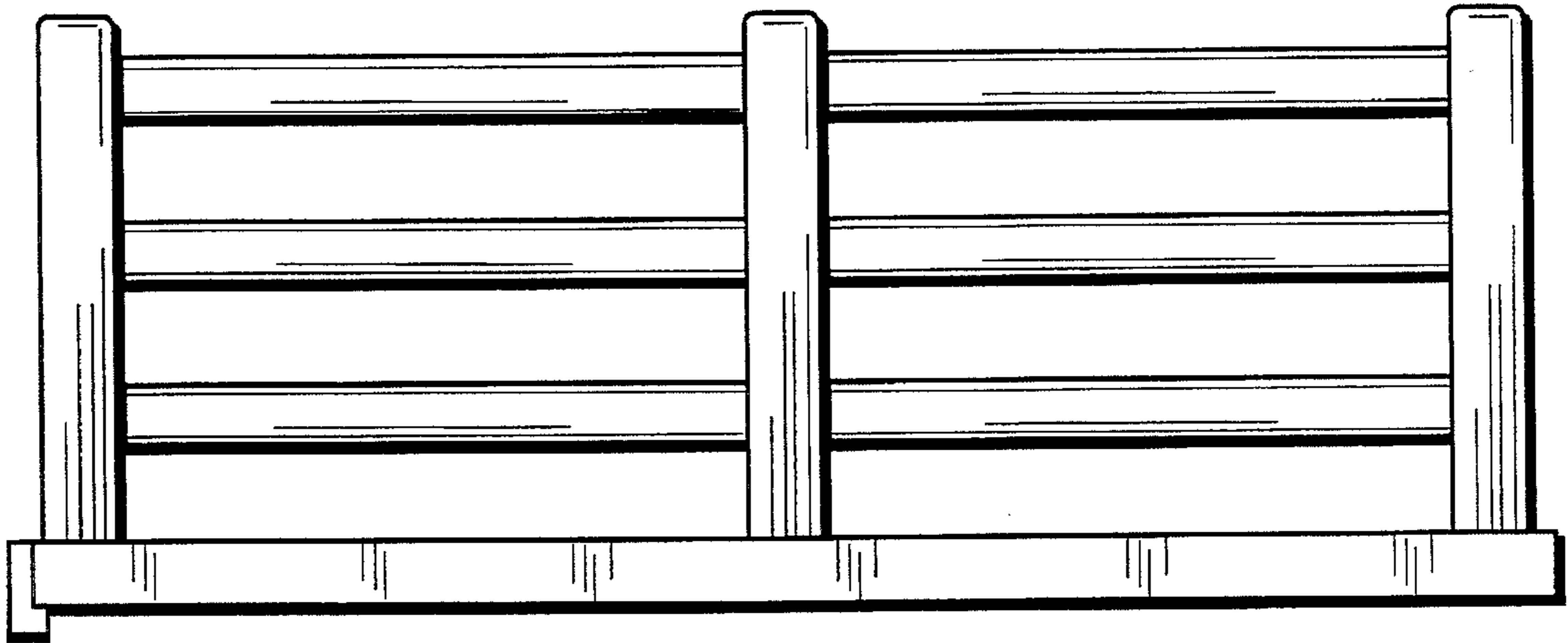


FIG. 4

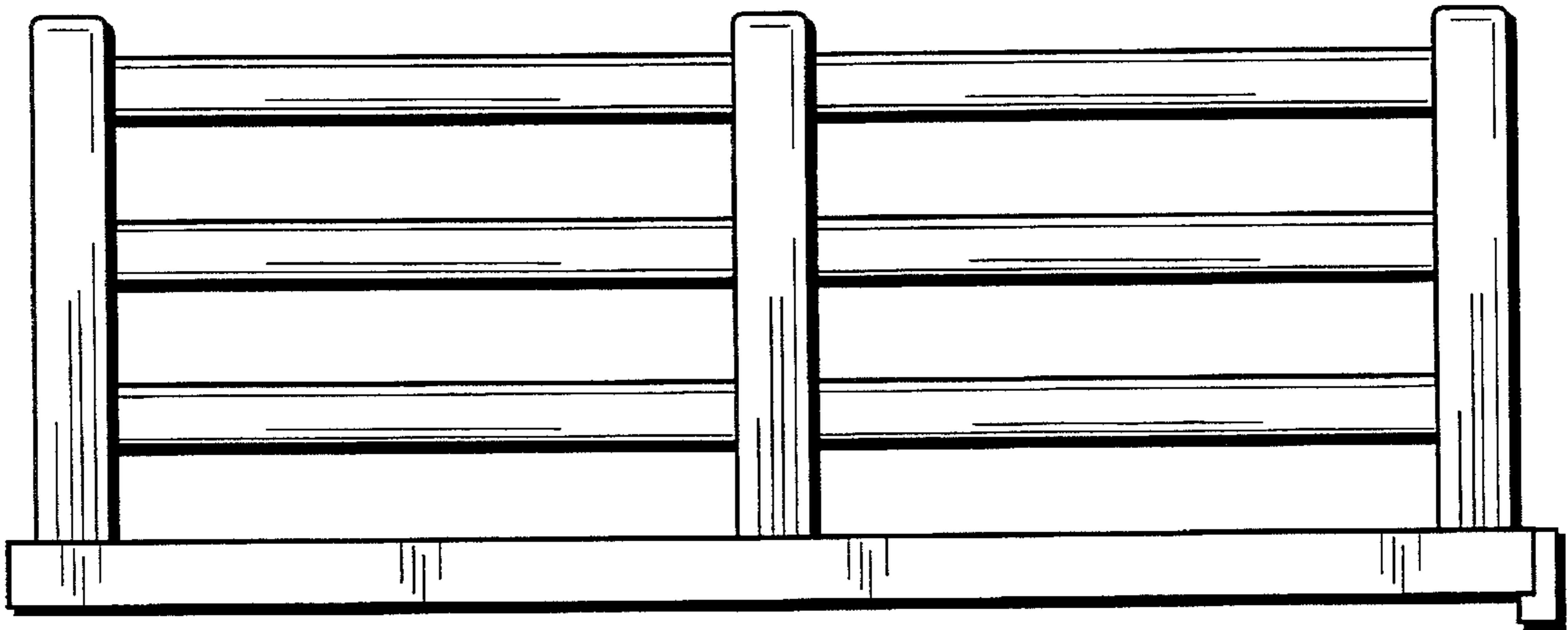


FIG. 5

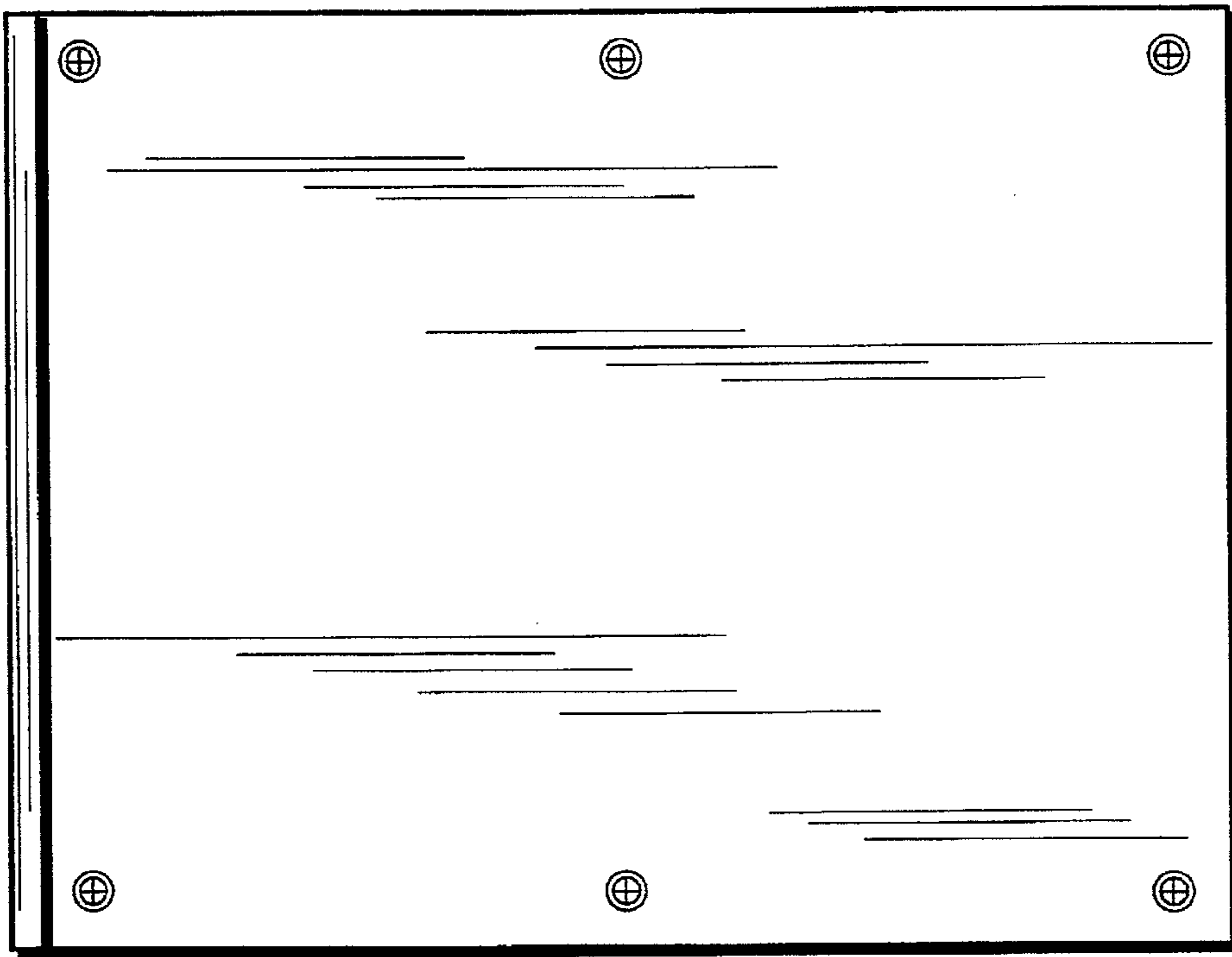


FIG. 6

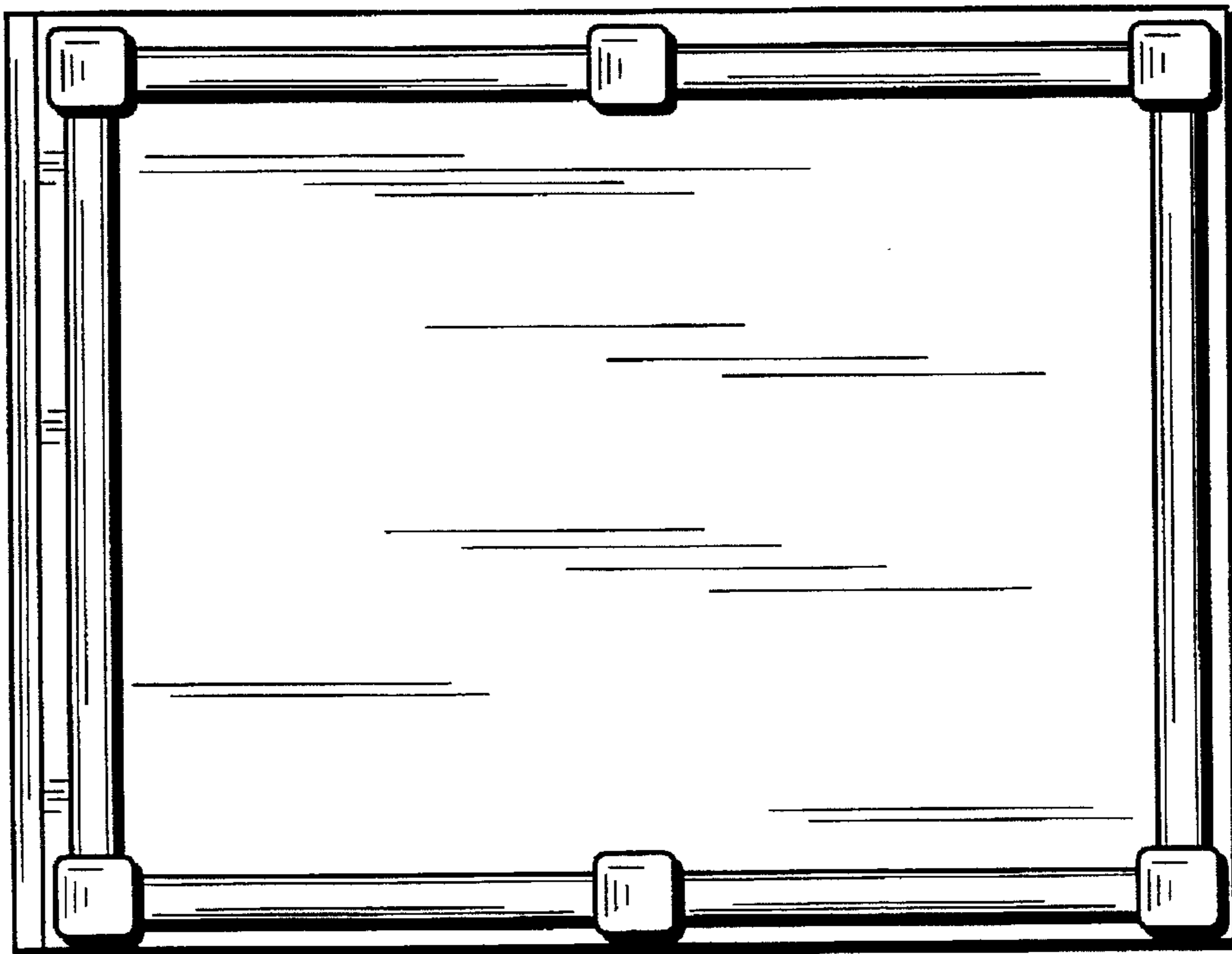


FIG. 7