



US00D380108S

United States Patent [19]

Rodack

[11] Patent Number: **Des. 380,108**

[45] Date of Patent: ****Jun. 24, 1997**

[54] **FLAG DISPLAY CASE**

[75] Inventor: **Michael D. Rodack**, Merion, Pa.

[73] Assignee: **M.S.R. Imports, Inc.**, Pennsauken, N.J.

[**] Term: **14 Years**

[21] Appl. No.: **49,494**

[22] Filed: **Jan. 26, 1996**

[51] LOC (6) Cl. **20-02**

[52] U.S. Cl. **D6/470**

[58] Field of Search D6/470, 449, 471;
D11/131, 132, 181, 166, 157; D9/430, 416;
D3/274, 295; 206/216, 524.1, 557; 312/114,
117, 138.1, 204, 234; 428/13, 14; 40/218,
606, 781, 771, 800

D. 318,198	7/1991	Francetic .	
D. 337,460	7/1993	Tannehill, II et al.	D6/470
2,535,149	12/1950	McBride .	
2,841,272	7/1958	Dreier .	
3,500,789	3/1970	Keats .	
3,996,882	12/1976	Martin et al. .	
4,879,145	11/1989	McLellan et al. .	

Primary Examiner—James Gandy
Assistant Examiner—Linda Brooks
Attorney, Agent, or Firm—Caesar, Rivise, Bernstein, Cohen & Pokotilow, Ltd.

[57] CLAIM

The ornamental design for a flag display case, as shown and described.

DESCRIPTION

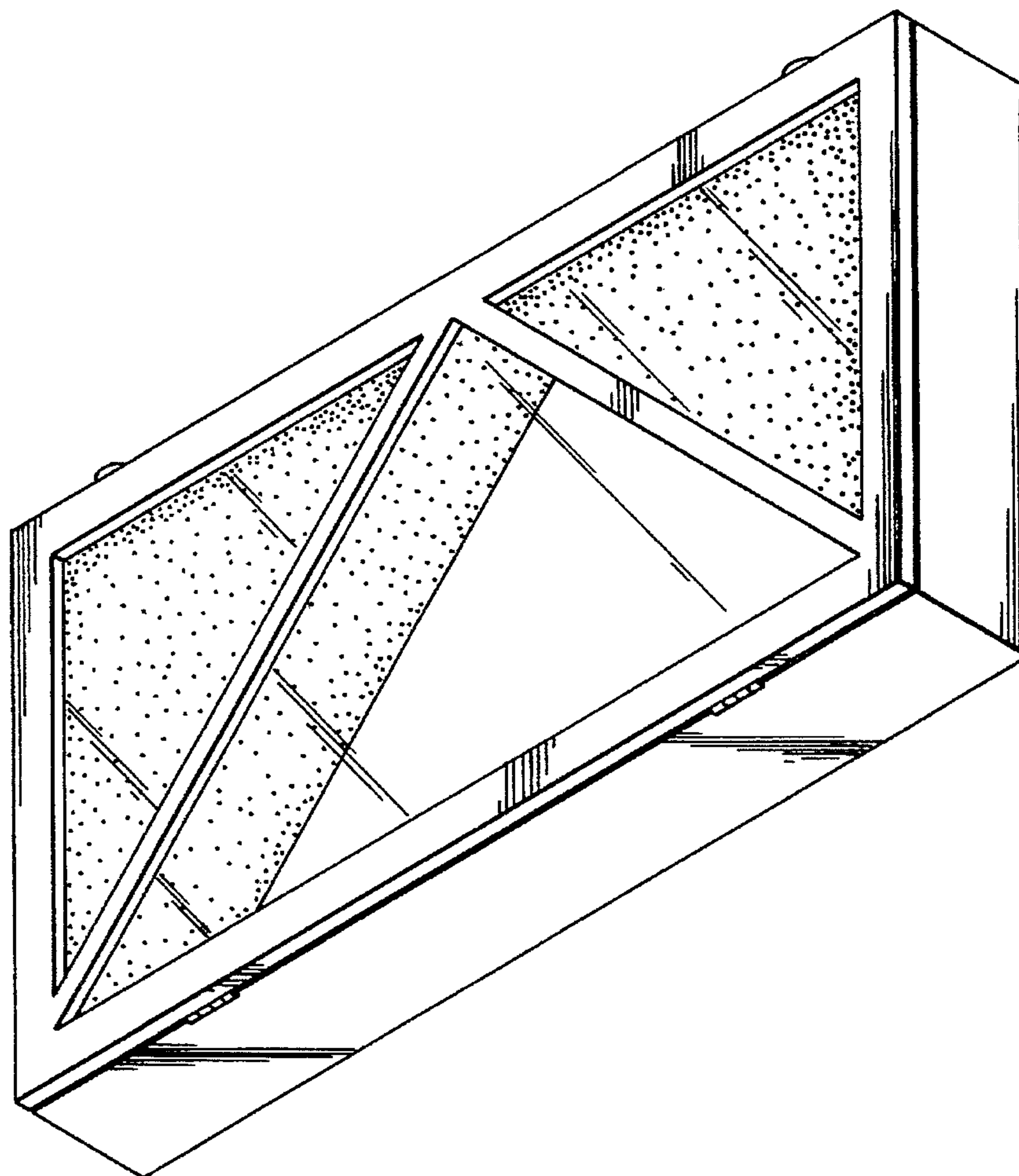
FIG. 1 is a right, front and top perspective view of a flag display case, showing my new design;
FIG. 2 is a right, front and bottom perspective view thereof;
FIG. 3 is an enlarged front elevational view thereof;
FIG. 4 is a rear elevational view of FIG. 3;
FIG. 5 is a top plan view of FIG. 3;
FIG. 6 is a bottom plan view of FIG. 3; and,
FIG. 7 is a left side elevational view of FIG. 3.

1 Claim, 5 Drawing Sheets

[56] References Cited

U.S. PATENT DOCUMENTS

D. 82,181	9/1930	Sawin .
D. 198,507	6/1964	Ehle .
D. 248,507	7/1978	Pivec .
D. 267,686	1/1983	Dawson .
D. 272,806	2/1984	Handy et al. .
D. 283,690	5/1986	McCollum .



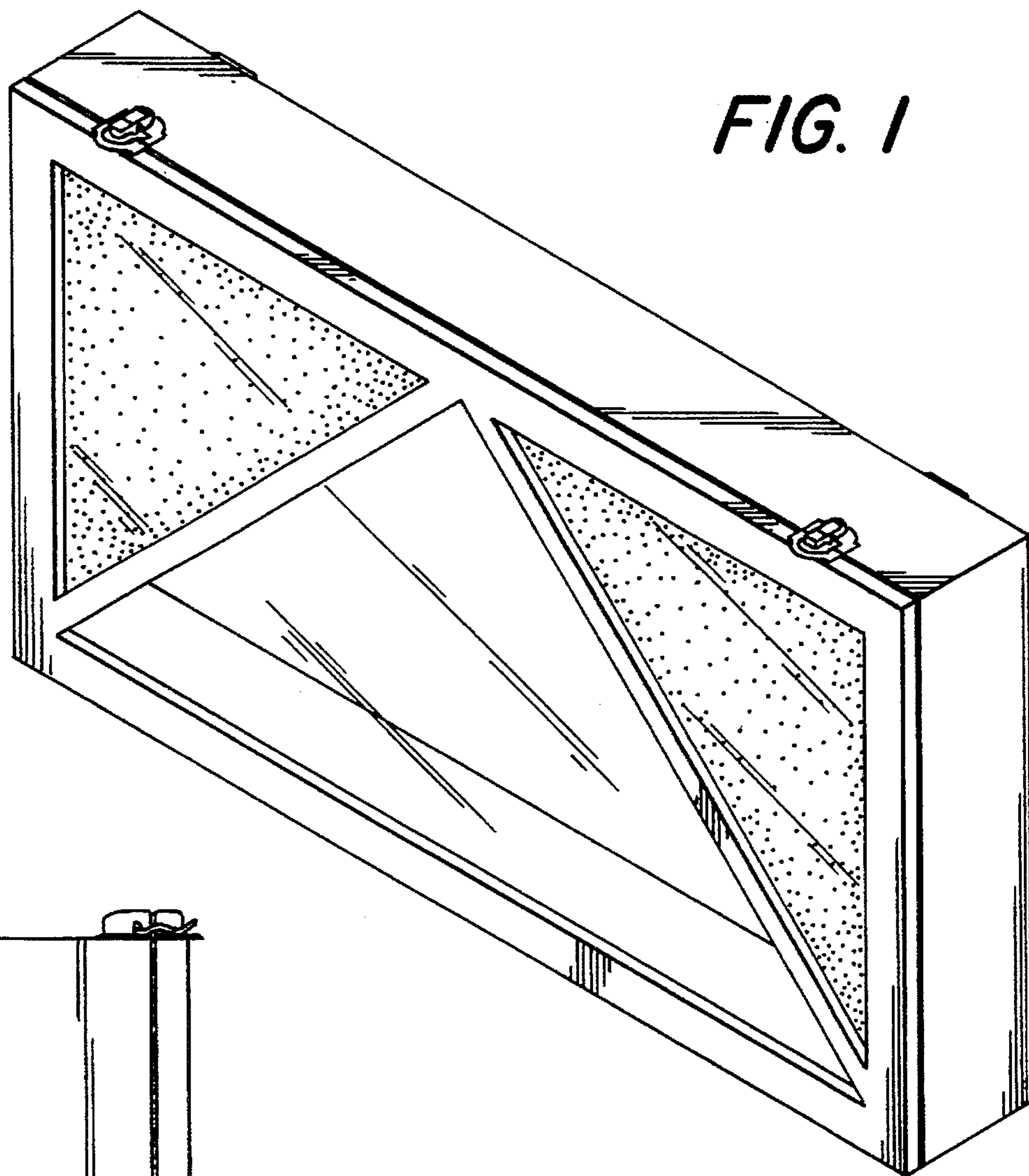


FIG. 1

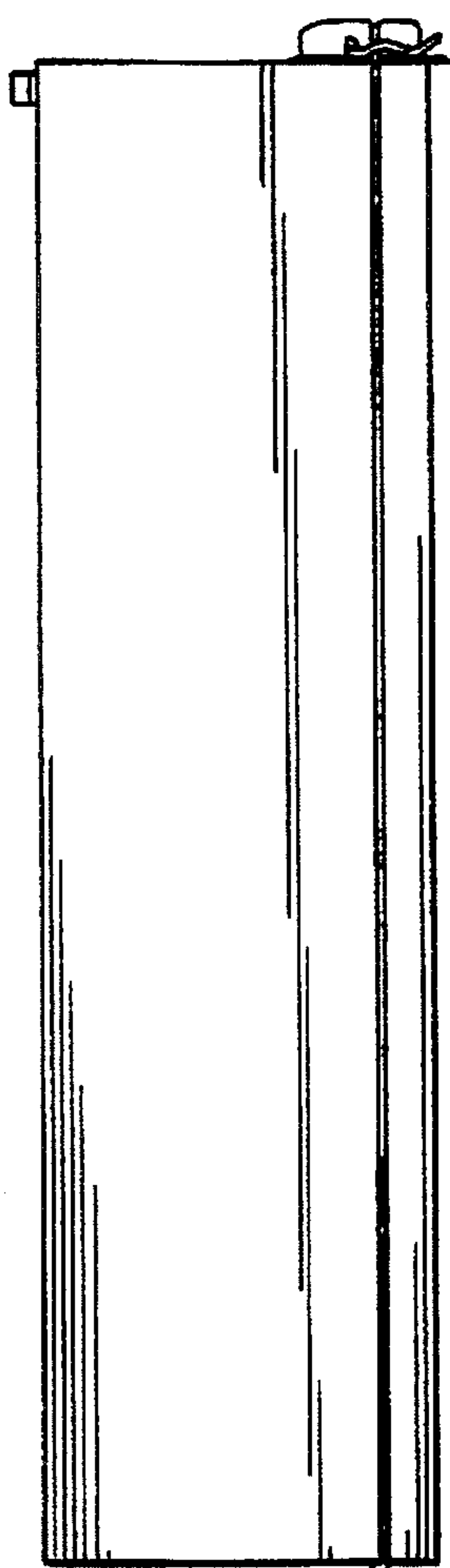


FIG. 7

FIG. 2

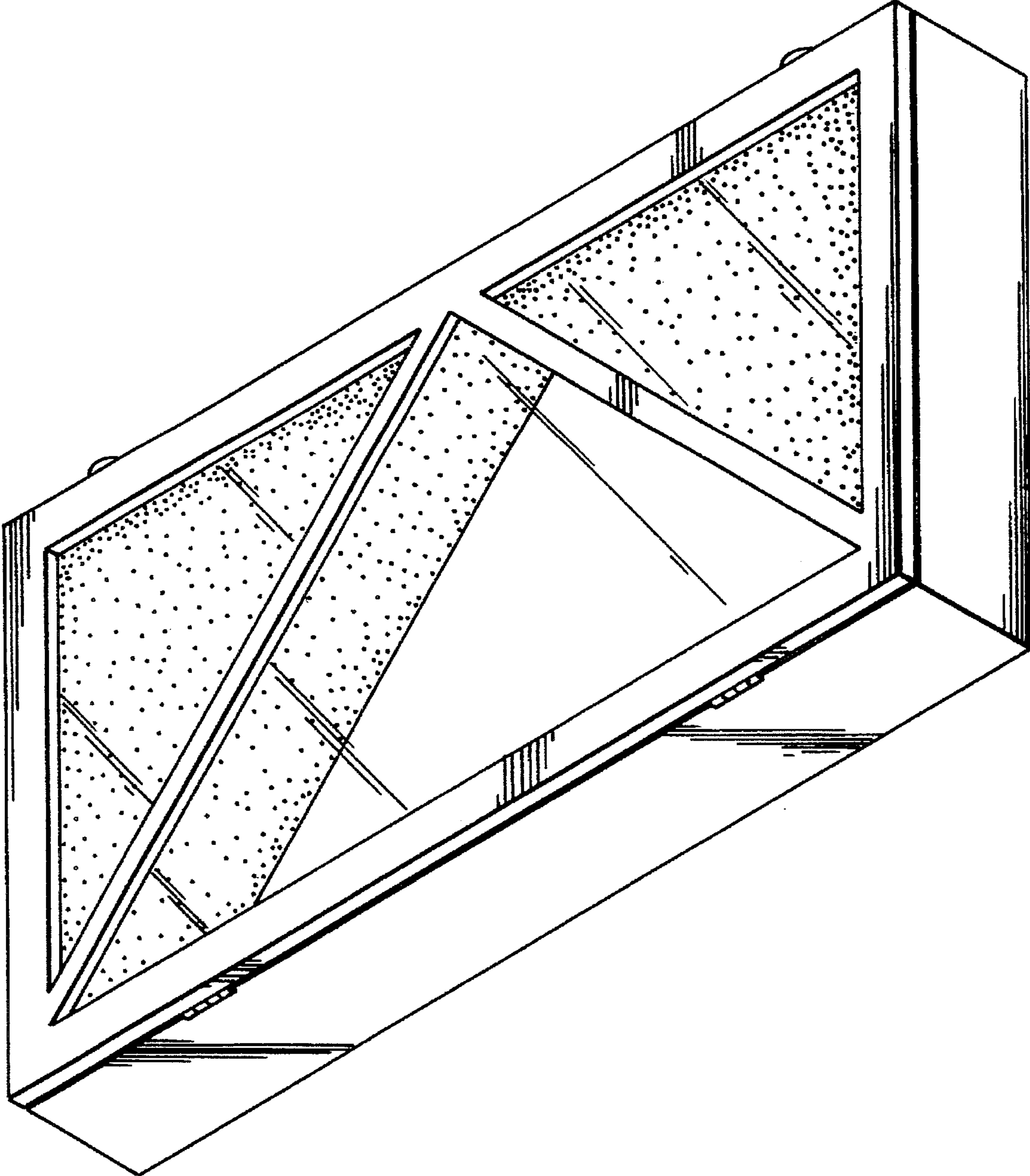


FIG. 3

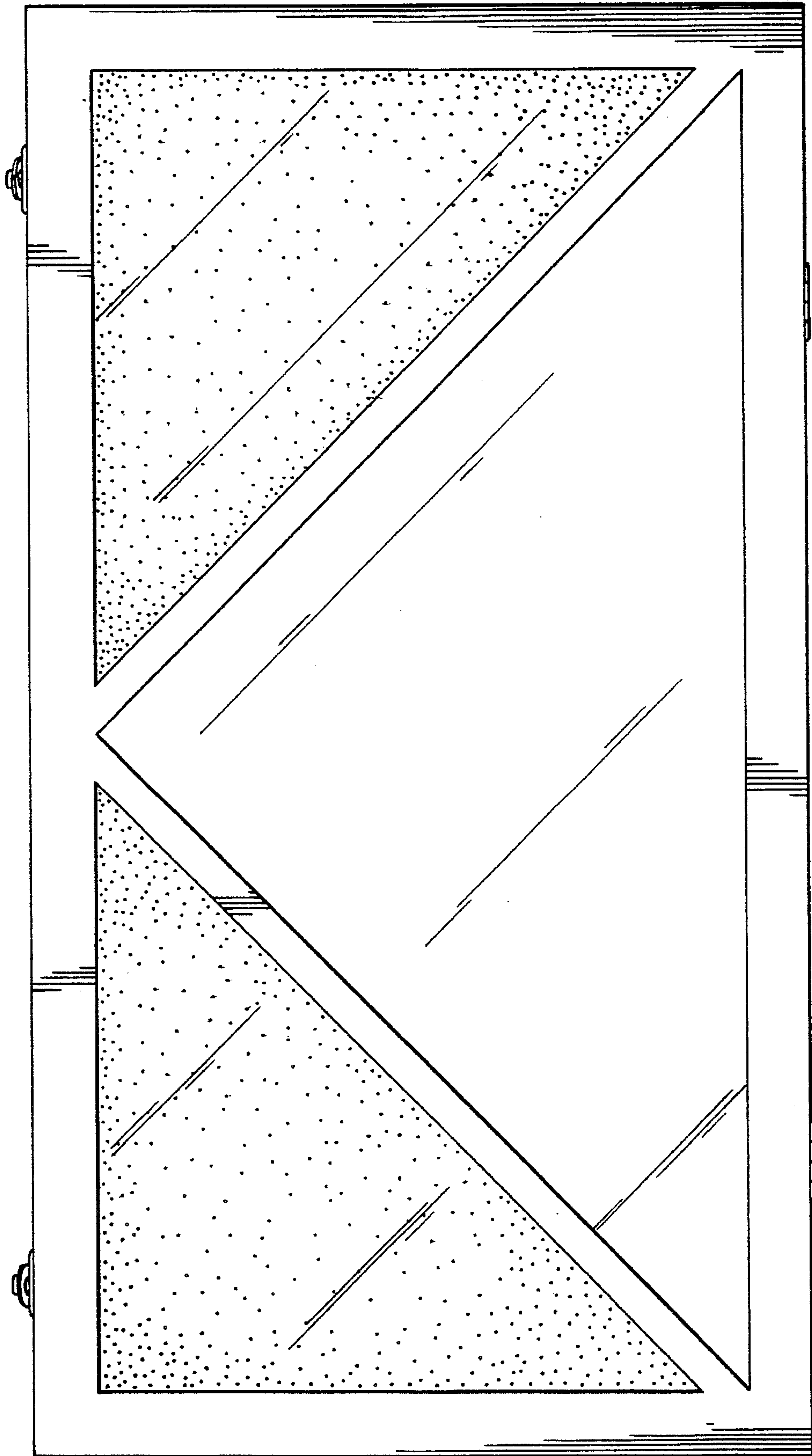


FIG. 4

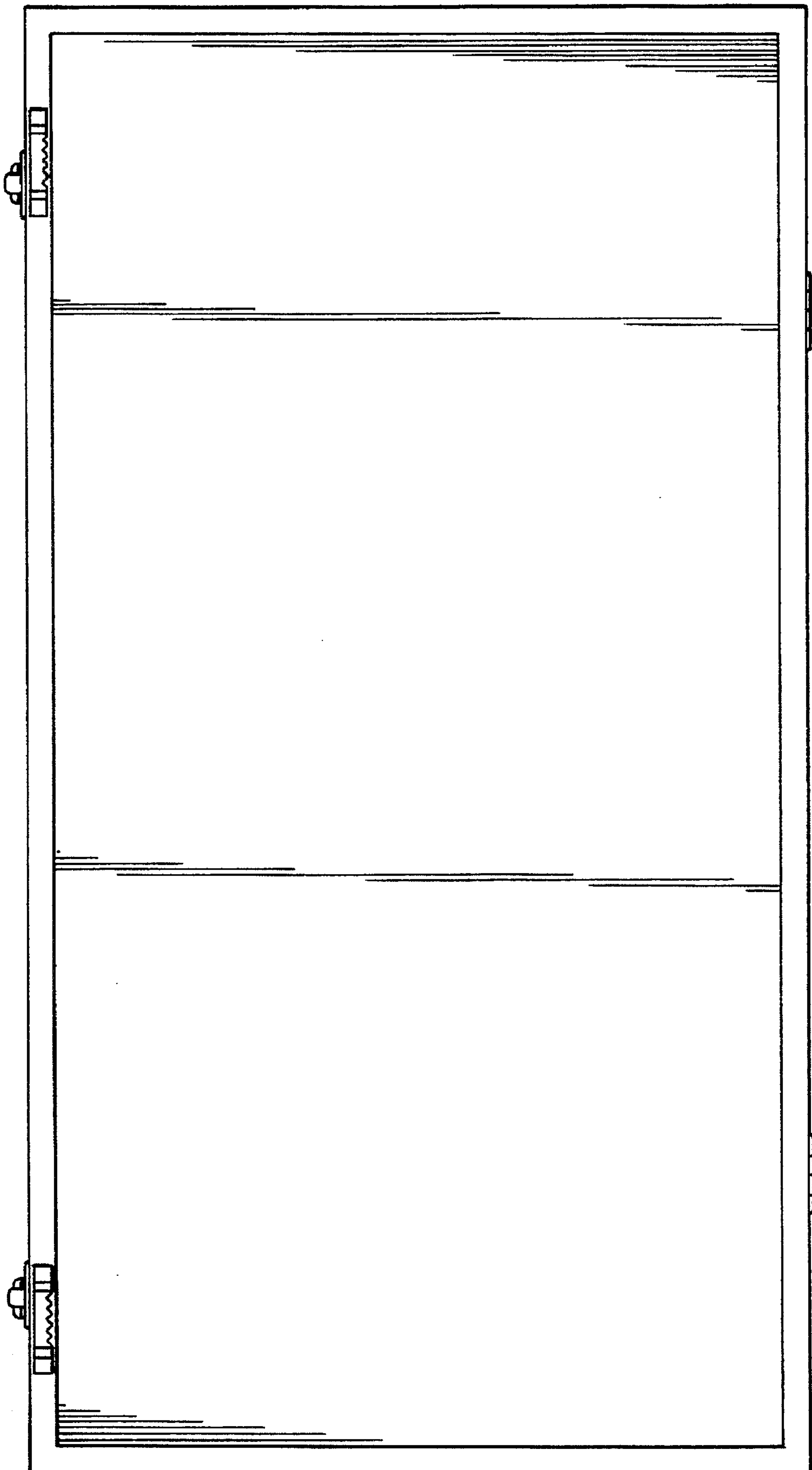


FIG. 5

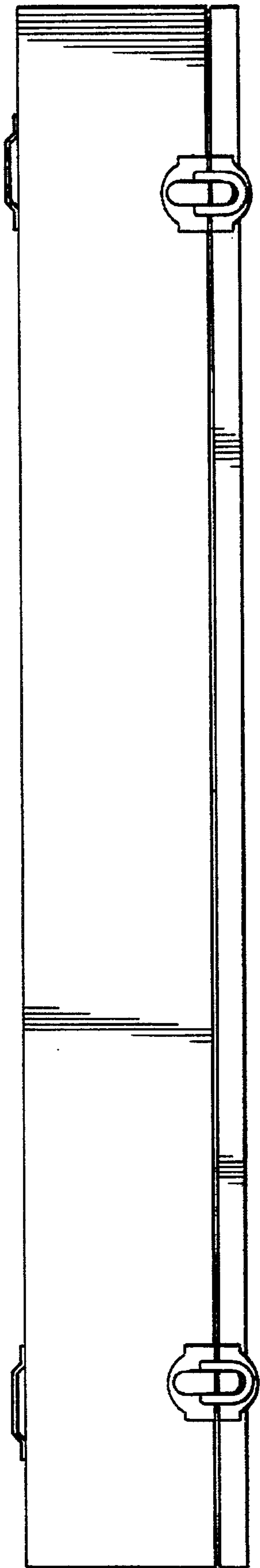


FIG. 6

