



US00D380098S

United States Patent [19]

[11] Patent Number: **Des. 380,098**

Breen

[45] Date of Patent: ****Jun. 24, 1997**

[54] **CHAIR**

3,907,363 9/1975 Baker et al. 297/DIG. 2 X
3,947,068 3/1976 Buhk 297/DIG. 2 X

[75] Inventor: **William R. Breen**, Ontario, Canada

Primary Examiner—Gary D. Watson
Attorney, Agent, or Firm—Barrigar & Moss

[73] Assignee: **Nightingale Inc.**, Mississauga, Canada

[**] Term: **14 Years**

[57] CLAIM

[21] Appl. No.: **54,662**

The ornamental design for a chair, as shown and described.

[22] Filed: **May 17, 1996**

DESCRIPTION

[51] LOC (6) Cl. **06-01**

[52] U.S. Cl. **D6/366**

[58] Field of Search D6/334, 364, 365,
D6/366, 367, 379, 500, 501, 502; 297/211.2,
211.44

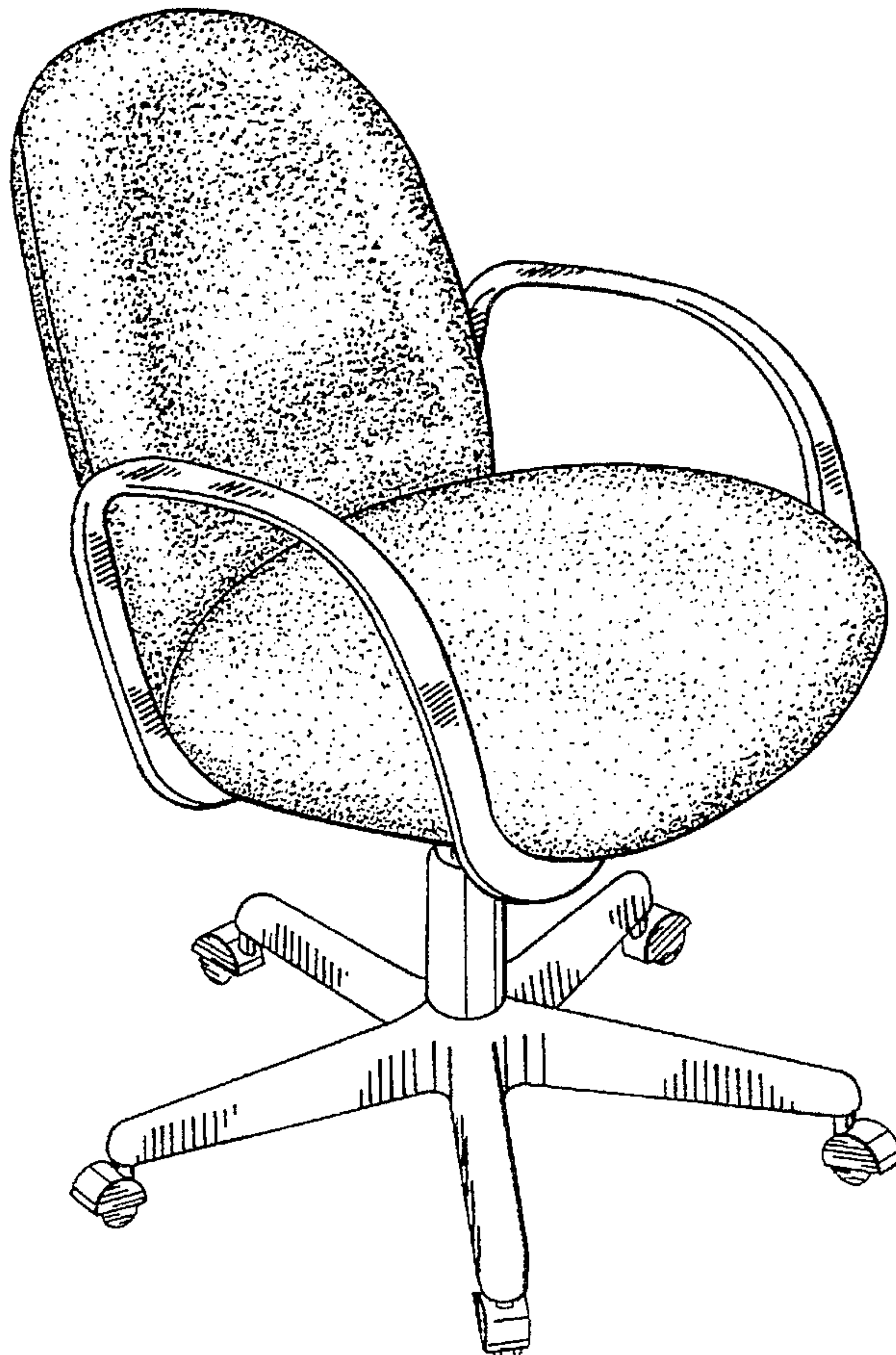
FIG. 1 is a perspective view of a chair taken from above and from the right side showing my new design;
FIG. 2 is a rear elevational view of the chair of FIG. 1;
FIG. 3 is a left side elevational view of the chair of FIG. 1, the right side being a mirror image thereof;
FIG. 4 is a front elevational view of the chair of FIG. 1;
FIG. 5 is a top plan view of the chair of FIG. 1;
FIG. 6 is a perspective view similar to FIG. 1, but showing a second embodiment of a chair showing my new design;
FIG. 7 is a rear elevational view of the chair shown in FIG. 6;
FIG. 8 is a left side elevational view of the chair shown in FIG. 6, the right side being a mirror image thereof;
FIG. 9 is a front elevational view of the chair shown in FIG. 6; and,
FIG. 10 is a top plan view of the chair shown in FIG. 6.
FIGS. 5 and 10 have been shown on an enlarged scale.

[56] References Cited

U.S. PATENT DOCUMENTS

D. 240,374	7/1976	Buhk	D6/366
D. 241,288	9/1976	Tacke	D6/366
D. 243,487	3/1977	Buhk	.	
D. 244,892	7/1977	Koepke	D6/366
D. 273,640	5/1984	Petitt	D6/366
D. 350,032	8/1994	Beaulieu	D6/366
D. 353,718	12/1994	Olson	D6/366
D. 368,596	4/1996	Breen	D6/366
D. 369,259	4/1996	Breen	D6/500

1 Claim, 6 Drawing Sheets



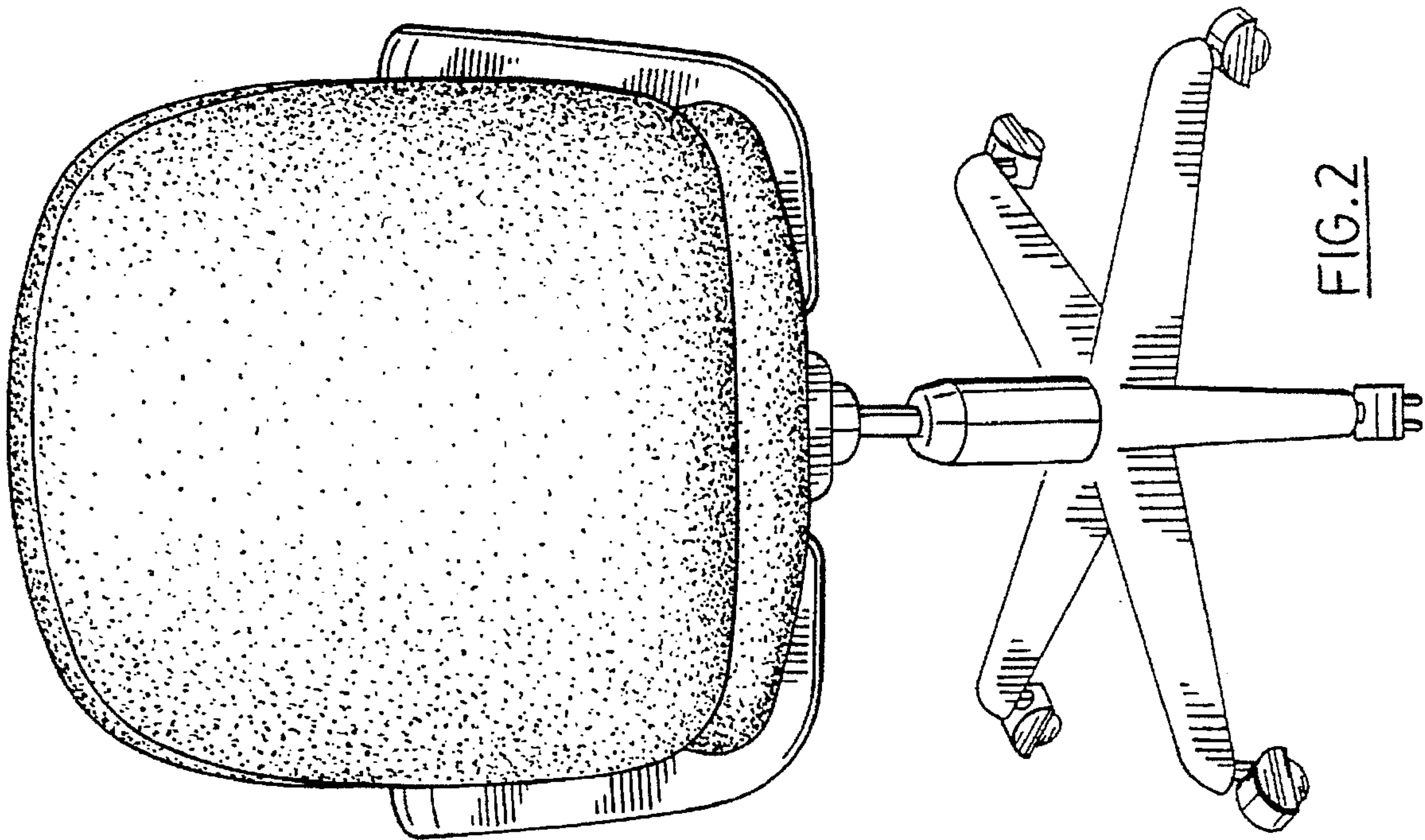


FIG. 2

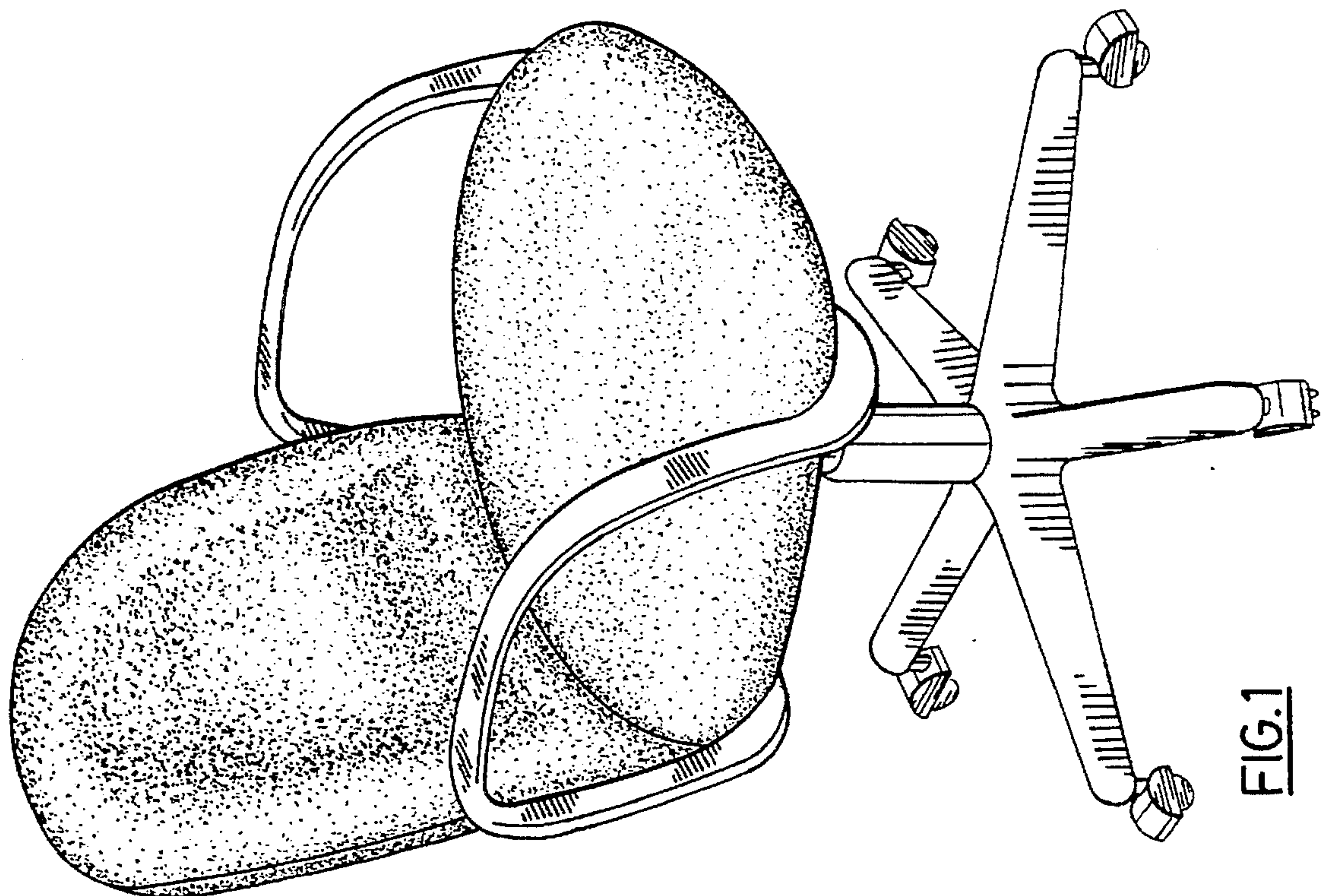


FIG. 1

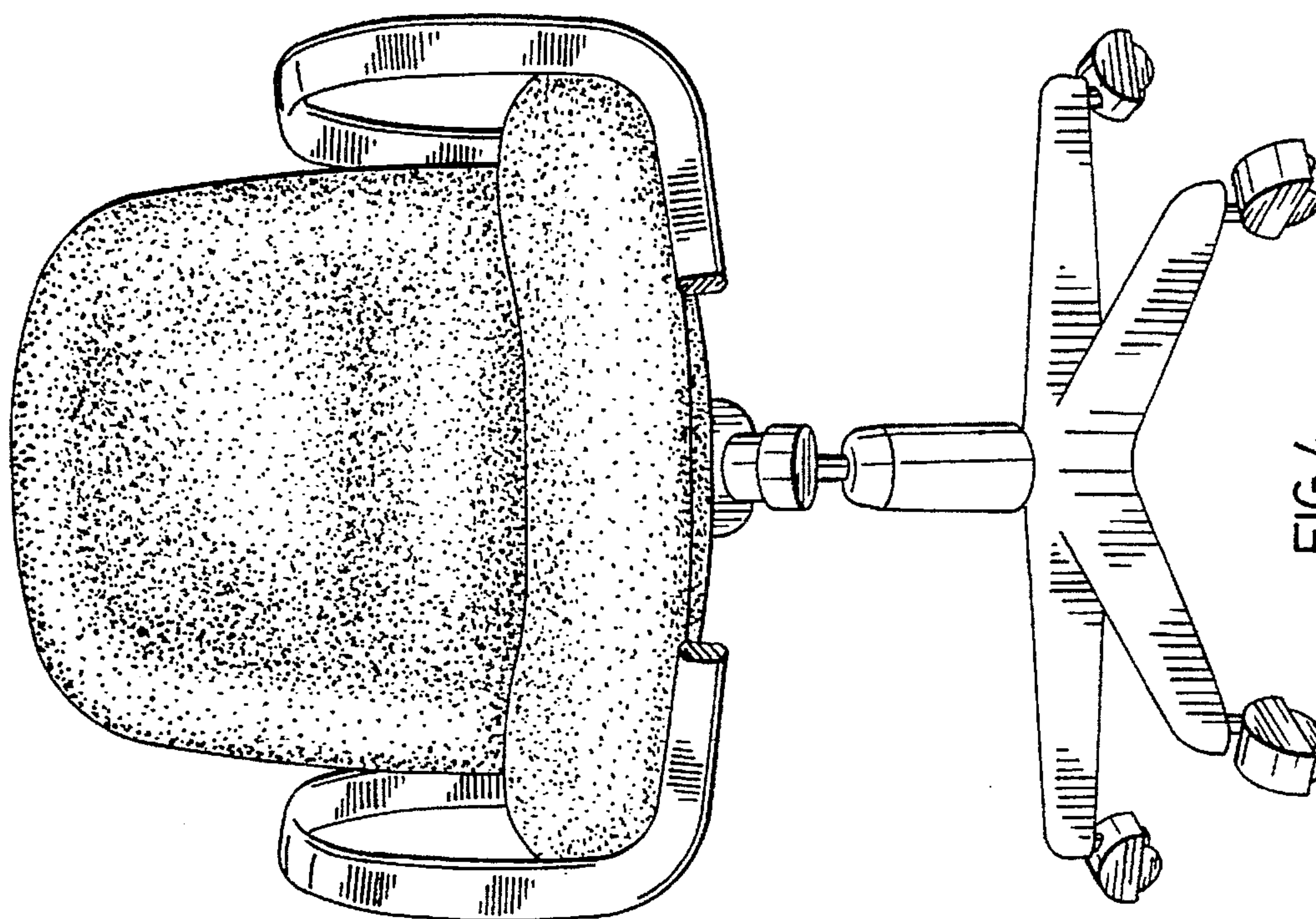


FIG. 4

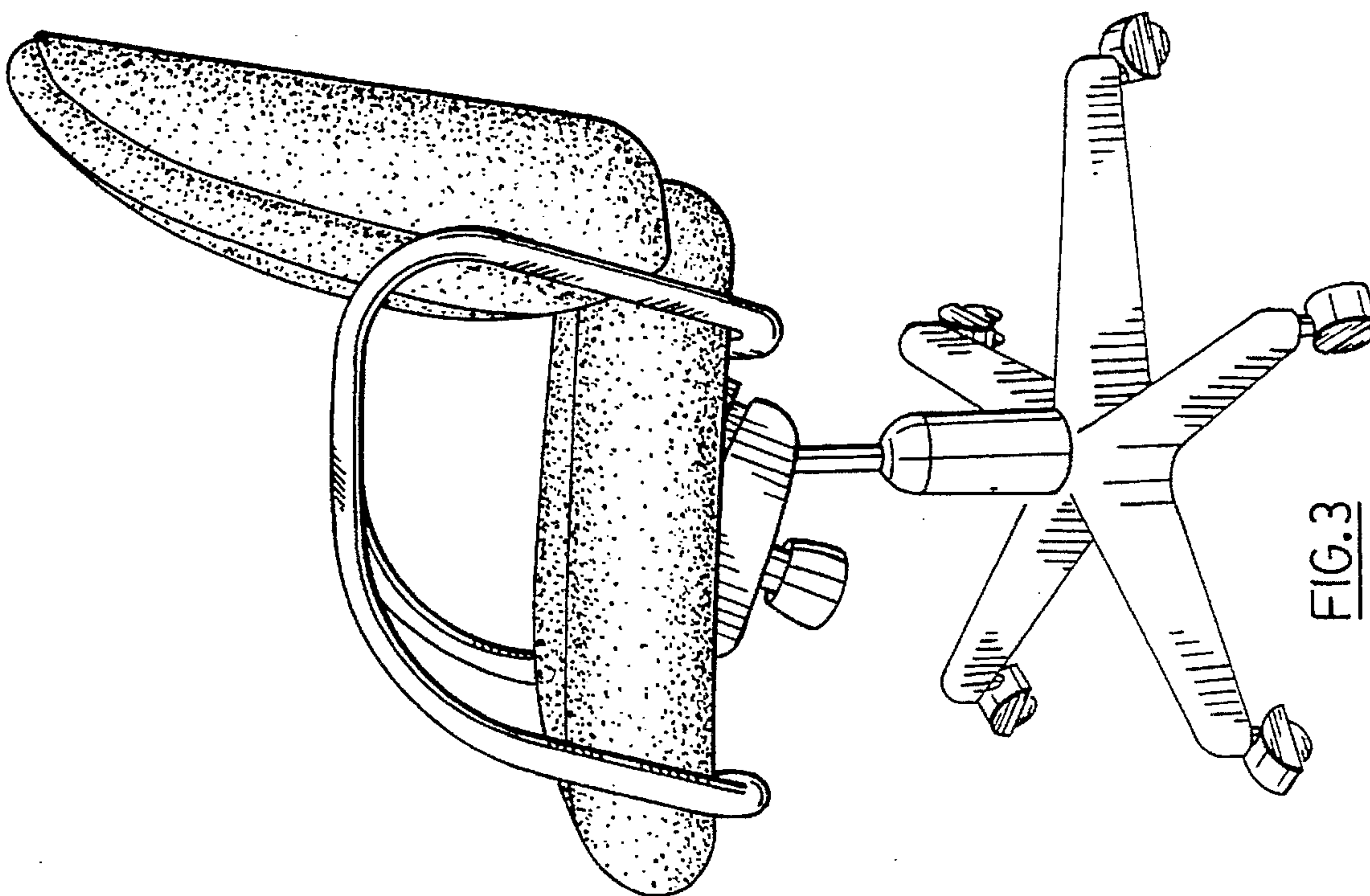


FIG. 3

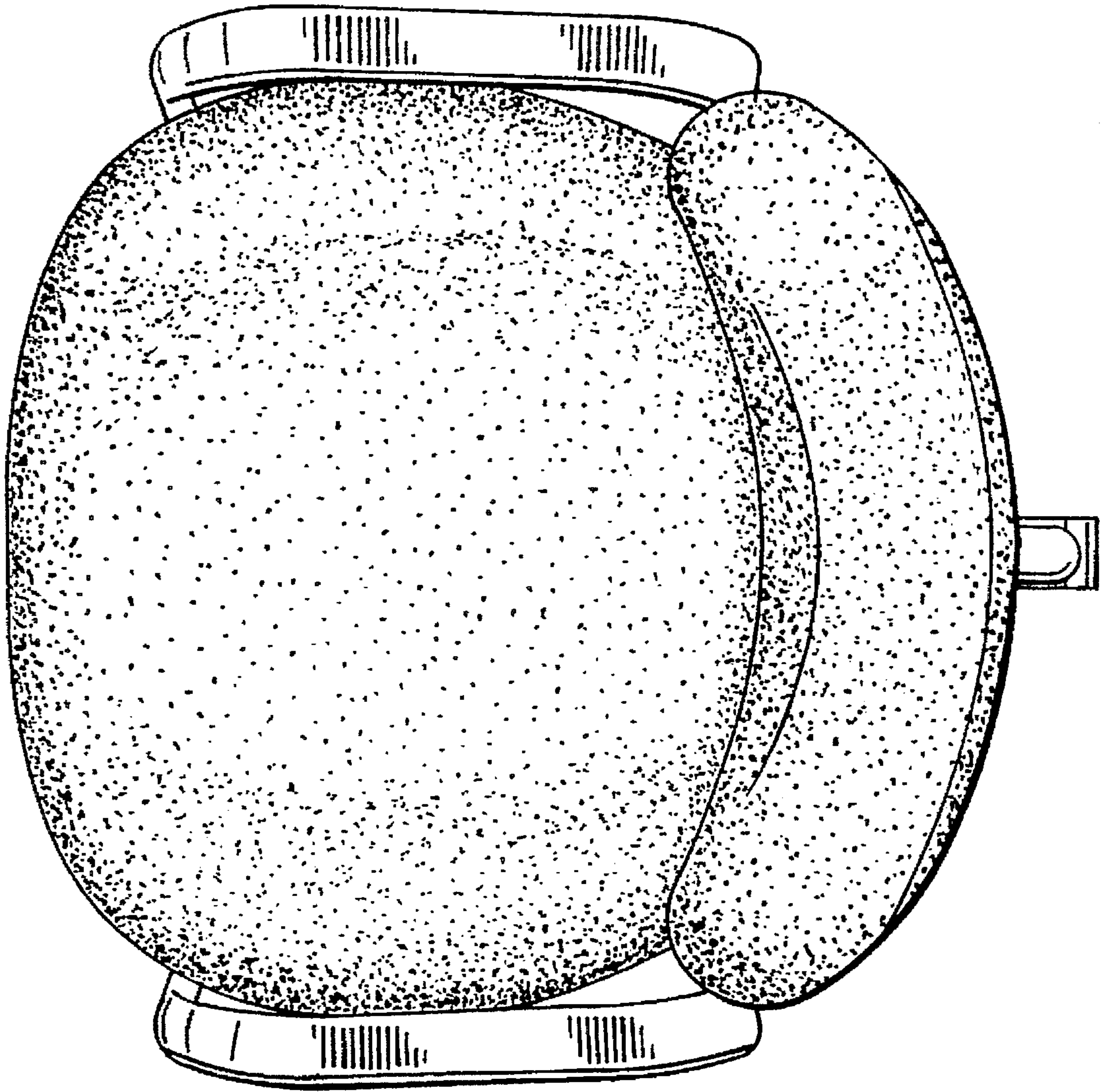
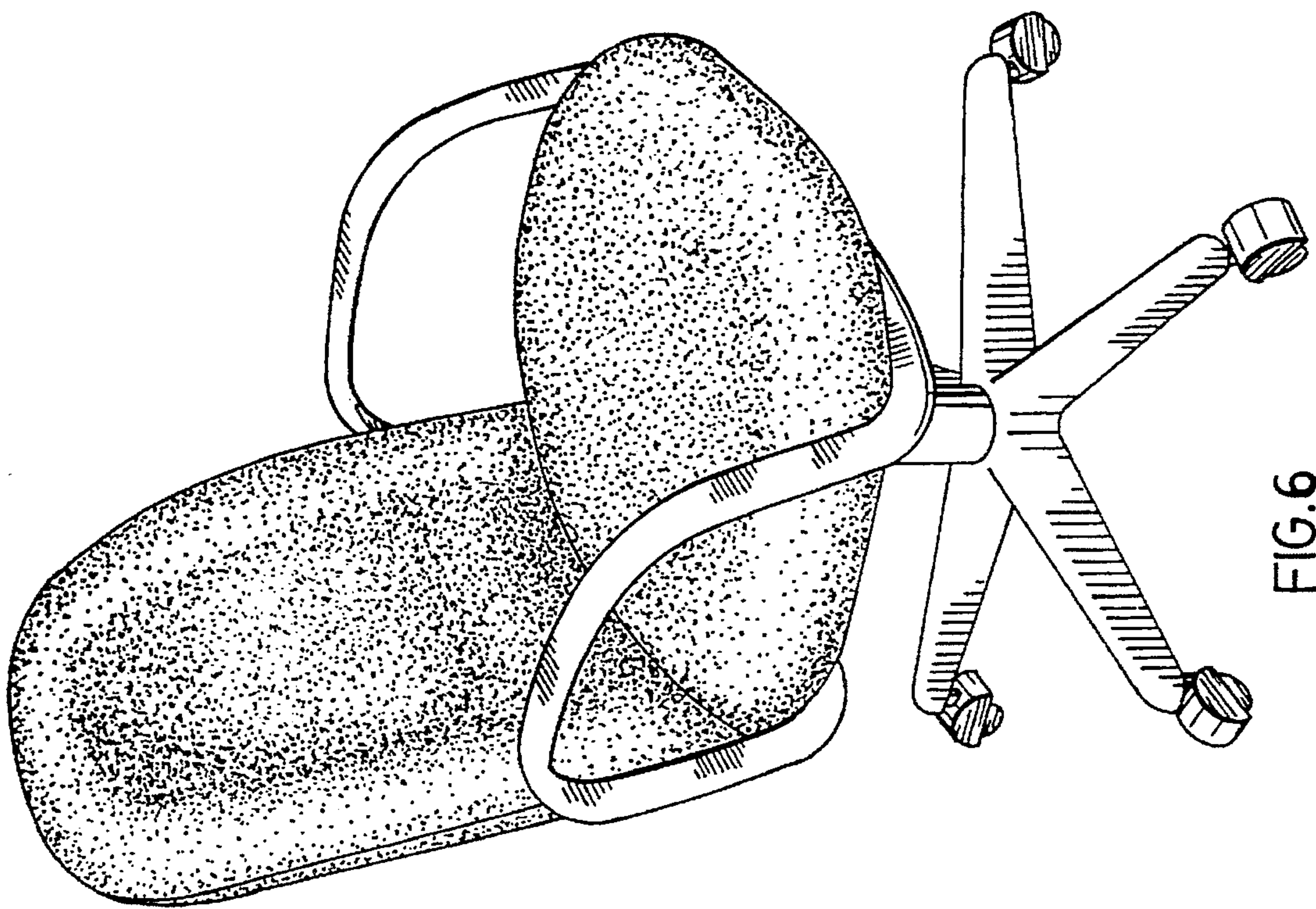
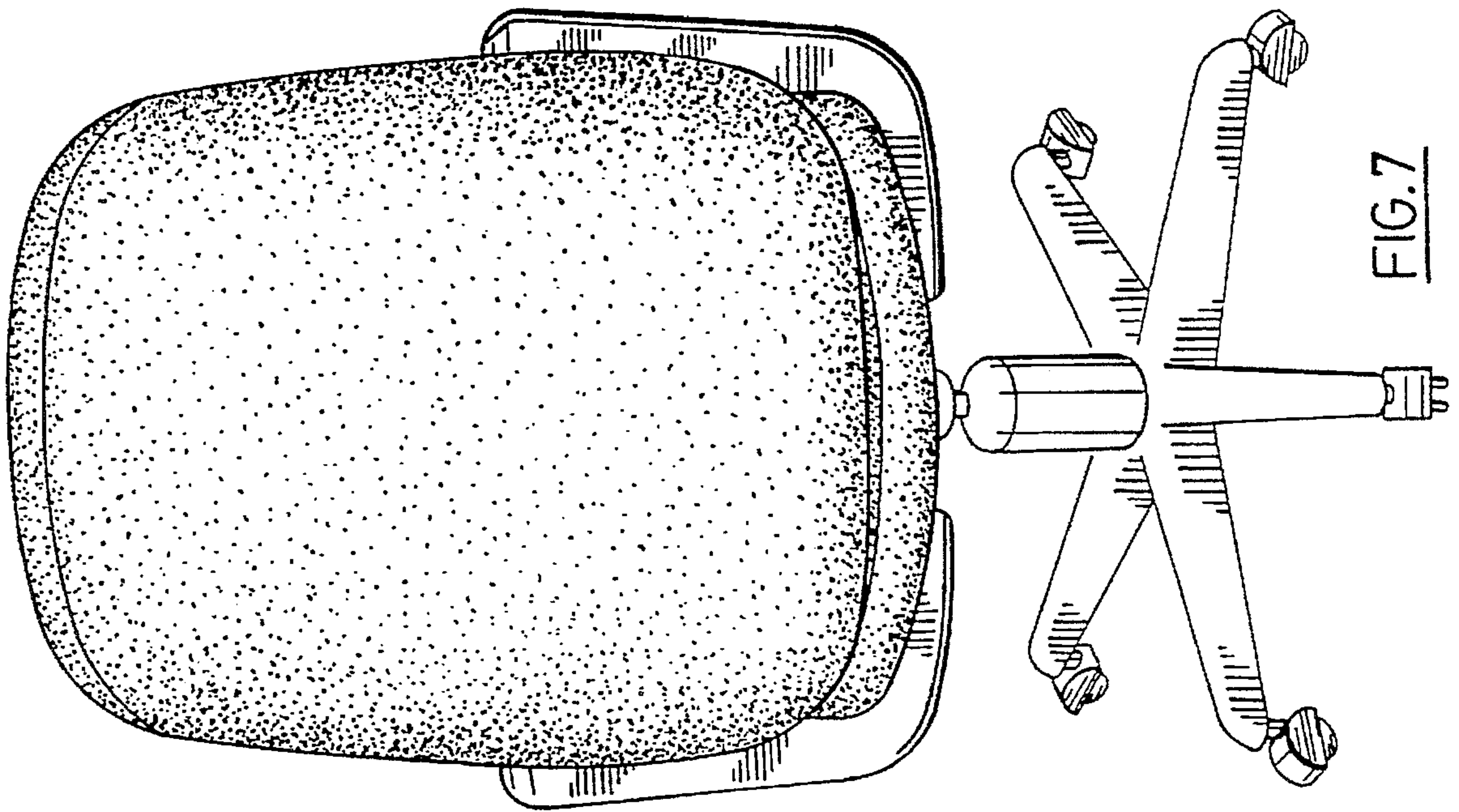


FIG. 5



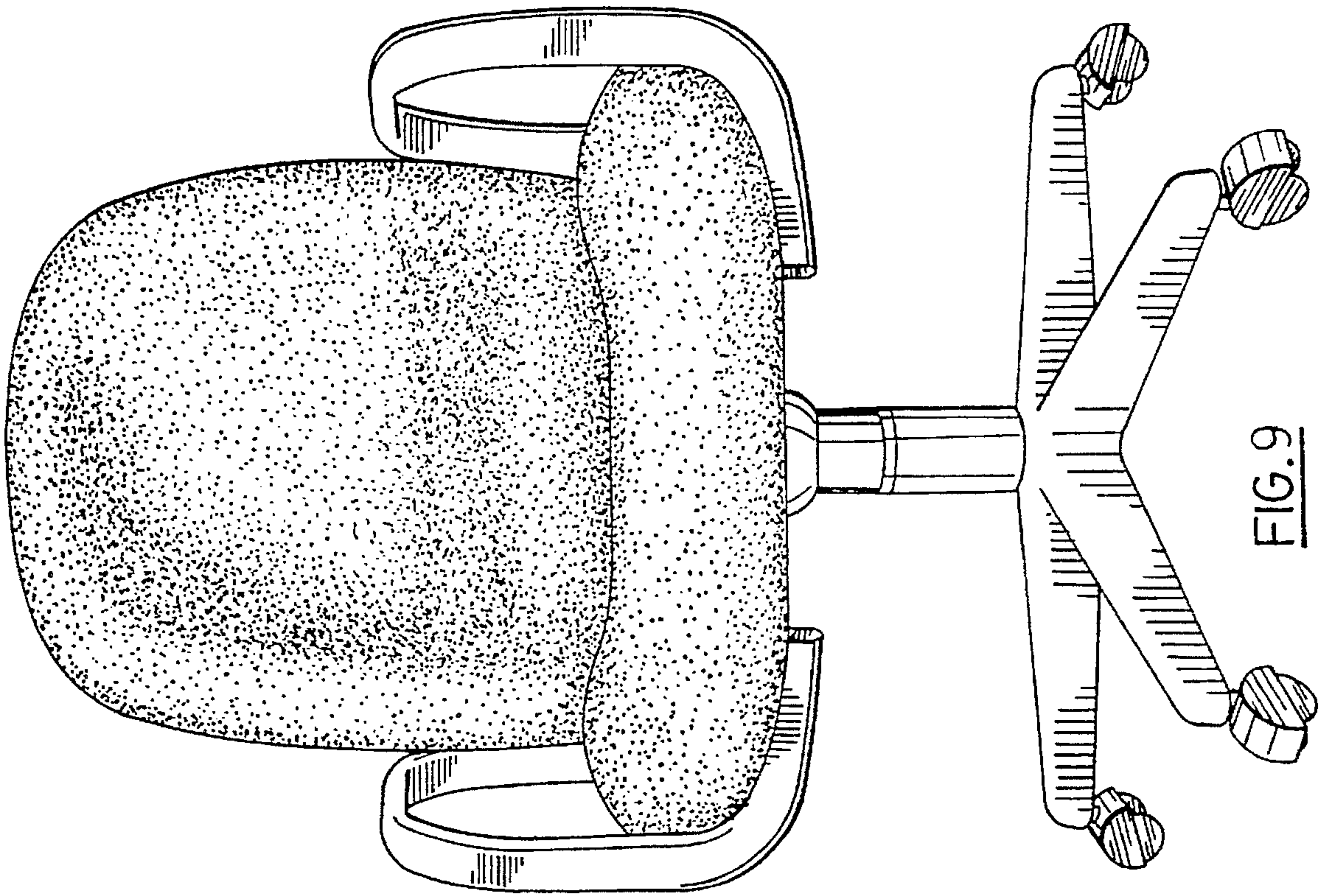


FIG. 9

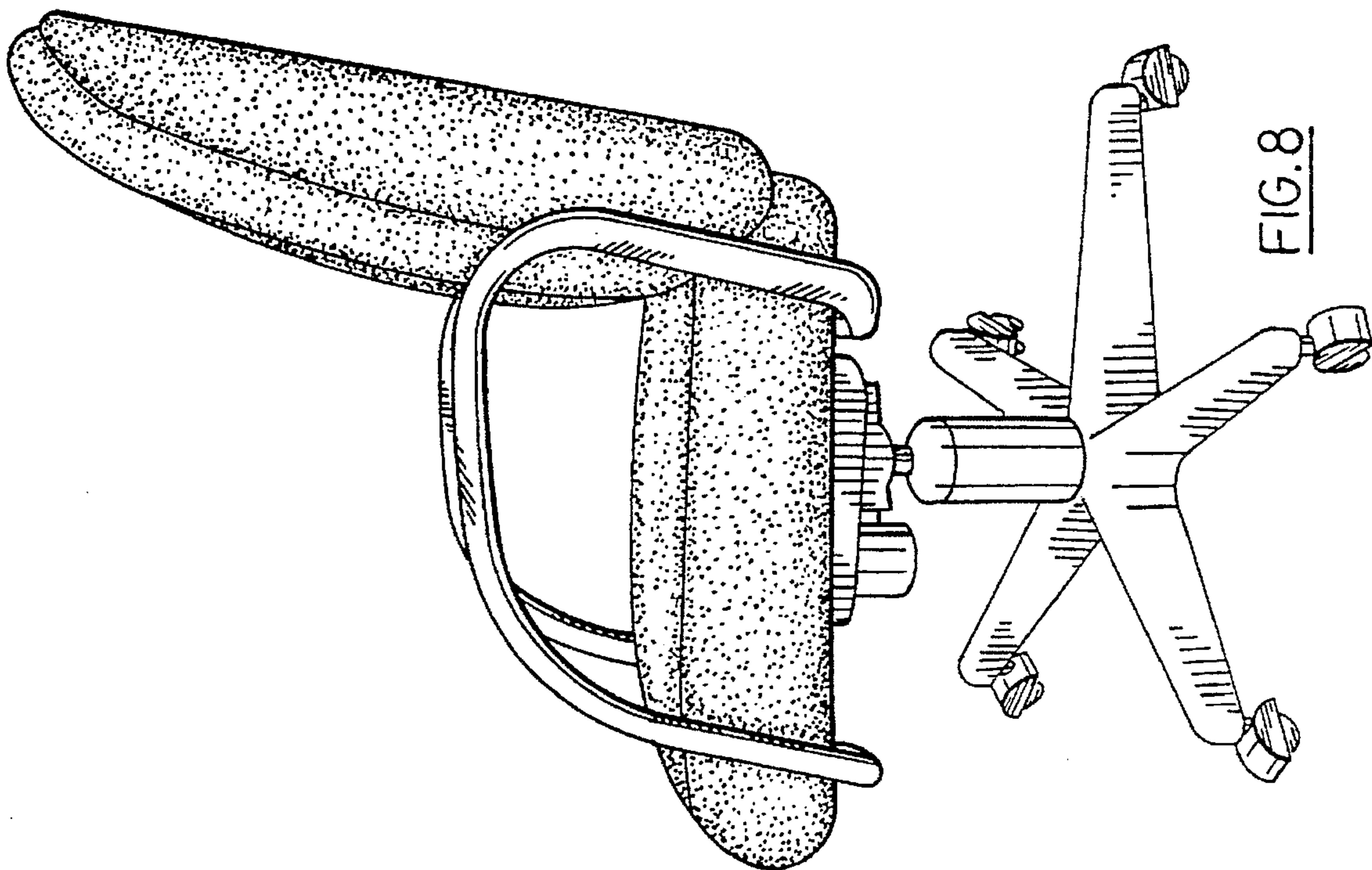


FIG. 8

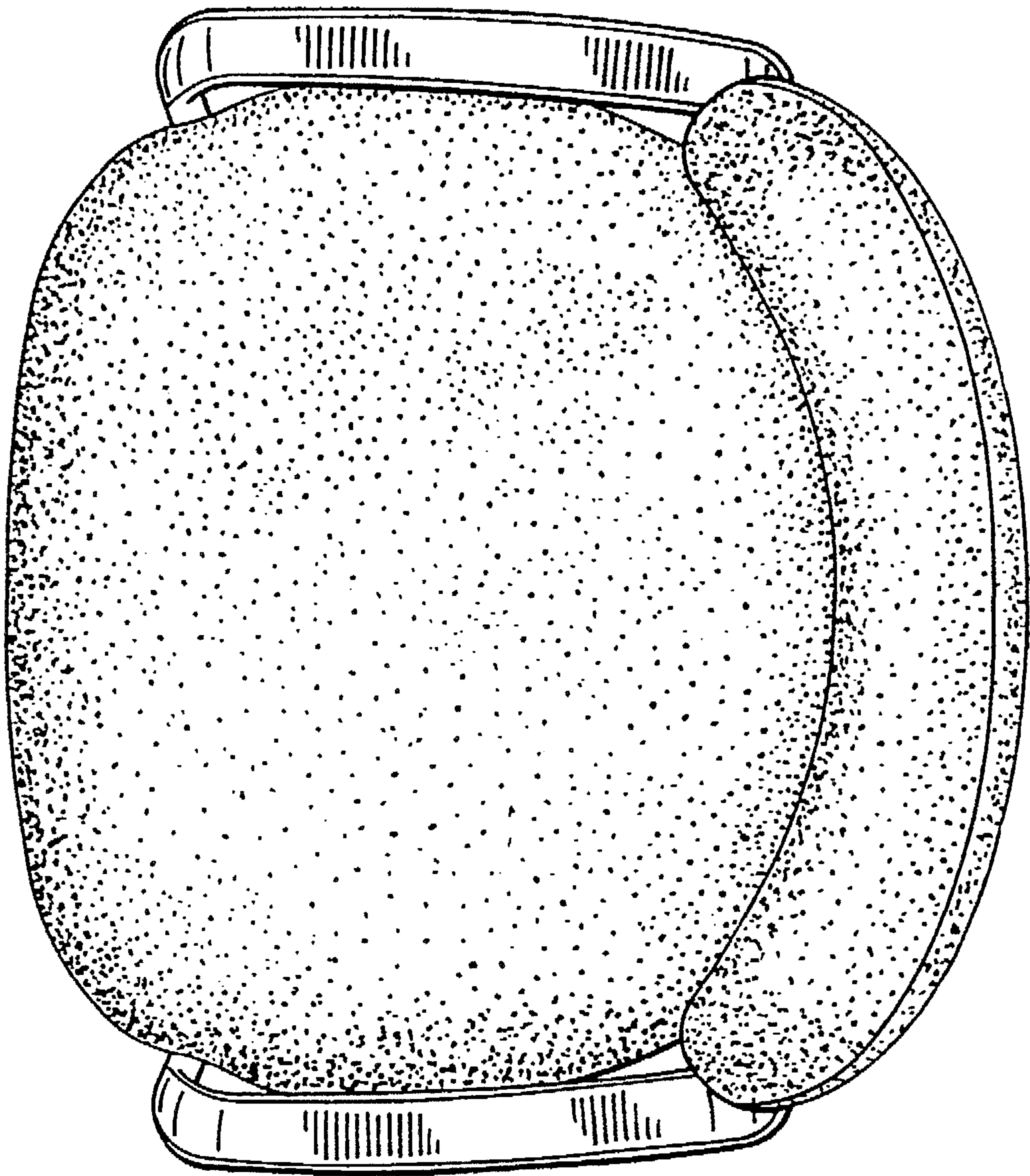


FIG.10