



US00D380095S

**United States Patent** [19]  
**Diaz-Azcuy**

[11] **Patent Number: Des. 380,095**  
[45] **Date of Patent: \*\*Jun. 24, 1997**

[54] **SEAT**

Baker advertisement undated (1960's time period) for Models 3870 chairs.

[75] **Inventor: Orlando Diaz-Azcuy, San Francisco, Calif.**

*Primary Examiner*—Gary D. Watson  
*Attorney, Agent, or Firm*—Merchant, Gould, Smith, Edell, Welter & Schmidt, P.A.

[73] **Assignee: McGuire Furniture Company Inc., San Francisco, Calif.**

[\*\*] **Term: 14 Years**

[57] **CLAIM**

[21] **Appl. No.: 51,426**

The ornamental design for seat, as shown and described.

[22] **Filed: Mar. 11, 1996**

**DESCRIPTION**

[51] **LOC (6) Cl. .... 06-01**

[52] **U.S. Cl. .... D6/334; D6/369; D6/381**

[58] **Field of Search .... D6/334, 335, 336, D6/364, 369, 370, 371, 373, 381, 500, 501, 502; 297/232, 445.1, 446.1**

FIG. 1 is a perspective view taken from the top, front and right side of a seat embodying my new design in the form of a chair;

FIG. 2 is a front elevational view thereof;

FIG. 3 is a rear elevational view thereof;

FIG. 4 is a right side elevational view thereof, the left side elevational view being the mirror image of the right side shown;

FIG. 5 is a top plan view thereof;

FIG. 6 is a bottom plan view thereof; and,

FIG. 7 is a perspective view taken from the top, front and right side of a second embodiment of my new design in the form of a sofa wherein the sole difference is a matter of length.

[56] **References Cited**

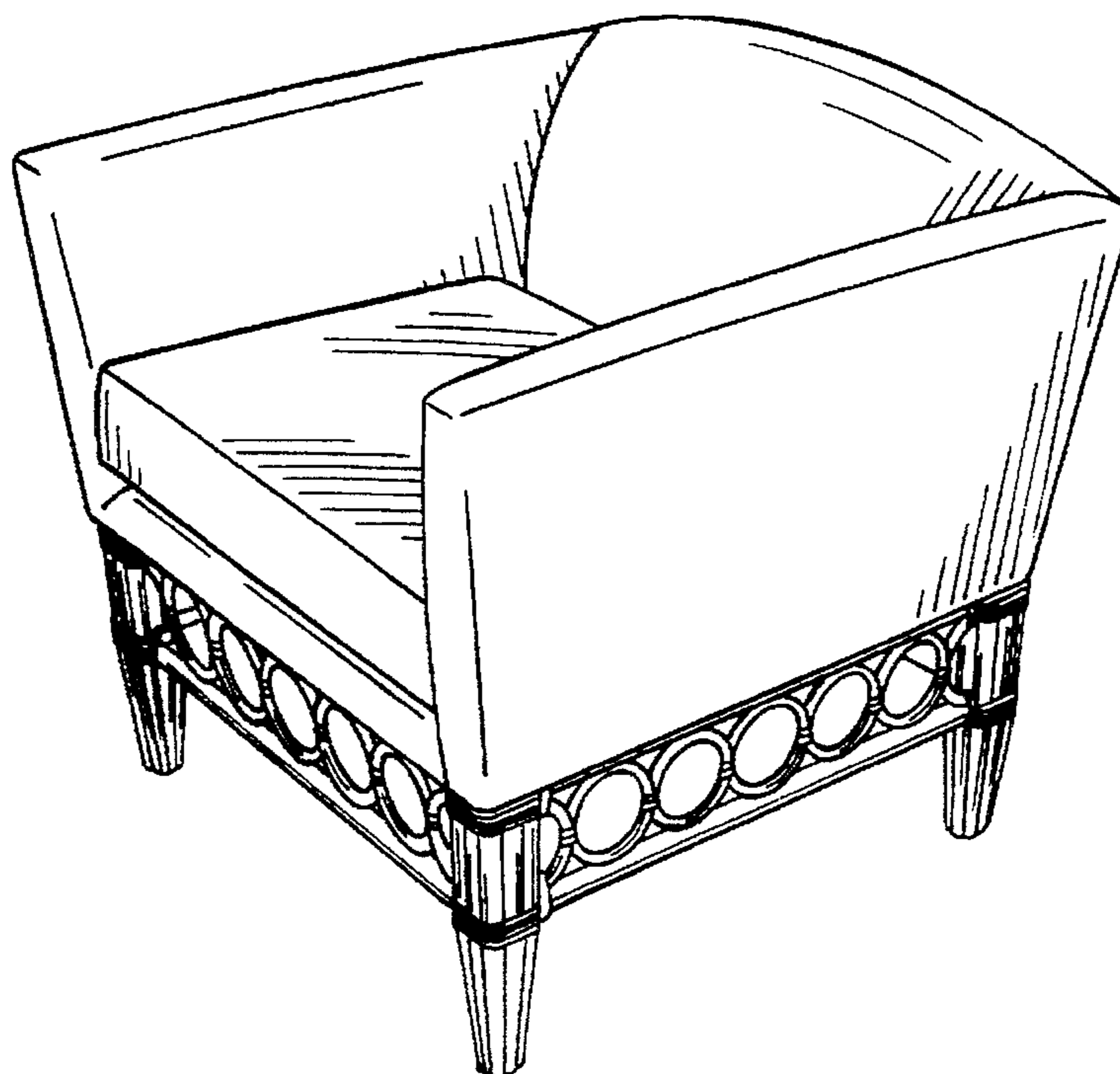
**U.S. PATENT DOCUMENTS**

D. 166,961	6/1952	Giglio .....	D6/334
D. 198,450	6/1964	Slosberg .....	D6/369
D. 231,880	6/1974	Weinstock .....	D6/364
D. 234,988	4/1975	Lopez-Benitez .....	D6/334
D. 244,328	5/1977	Heumann .....	D6/334
D. 318,183	7/1991	Fister, Jr. ....	D6/334
D. 329,543	9/1992	Shields .....	D6/334
D. 363,168	10/1995	Lewis .....	D6/334
D. 372,133	7/1996	Slear .....	D6/370

**OTHER PUBLICATIONS**

*The Antiques Directory of Furniture*, (Judith & Martin Miller, eds. 1985), p. 171, picture No. 88.  
Baker advertisement undated (1950–1960 time period) for Models 6009 chair.

**1 Claim, 4 Drawing Sheets**



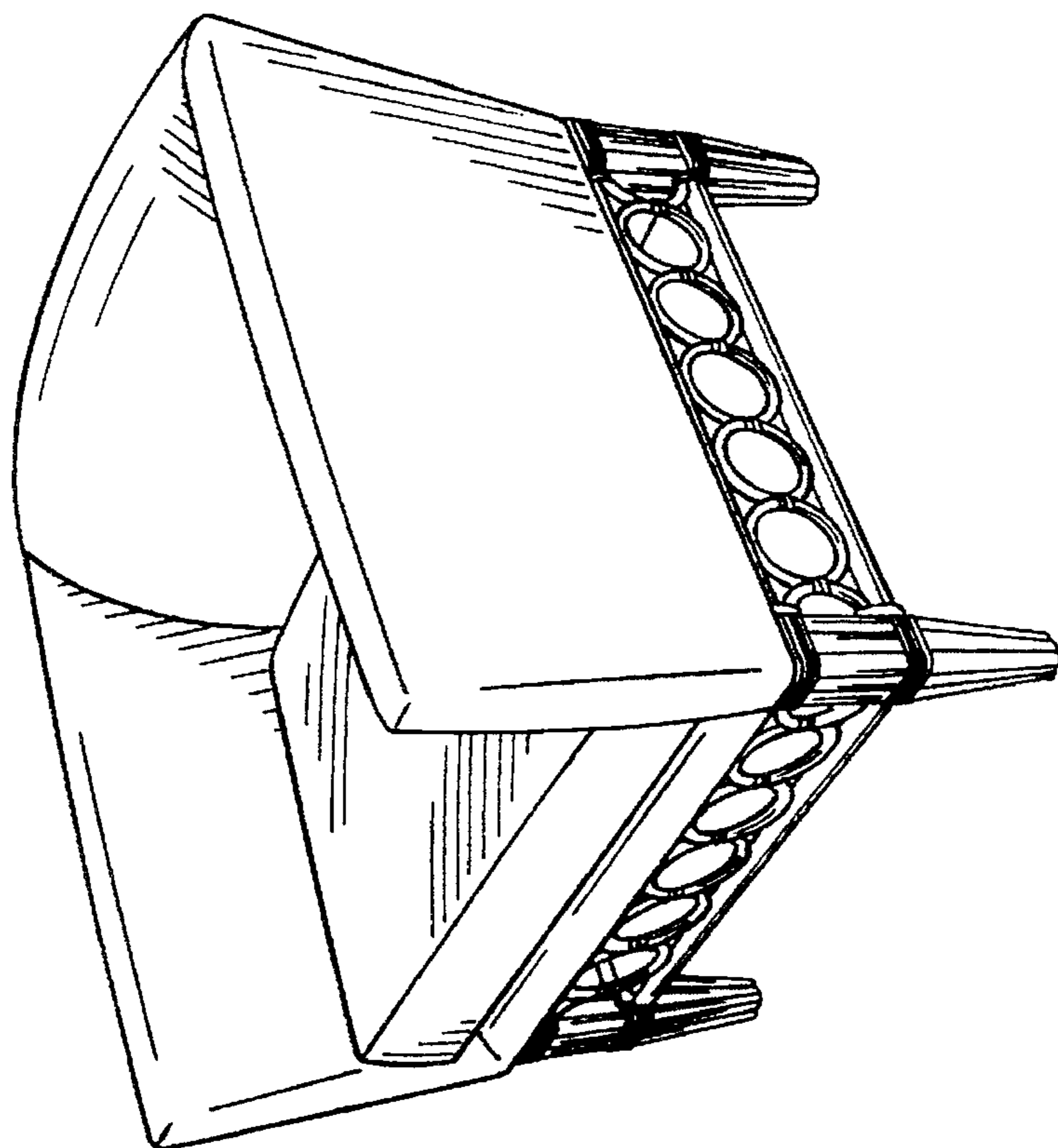


FIG. 1

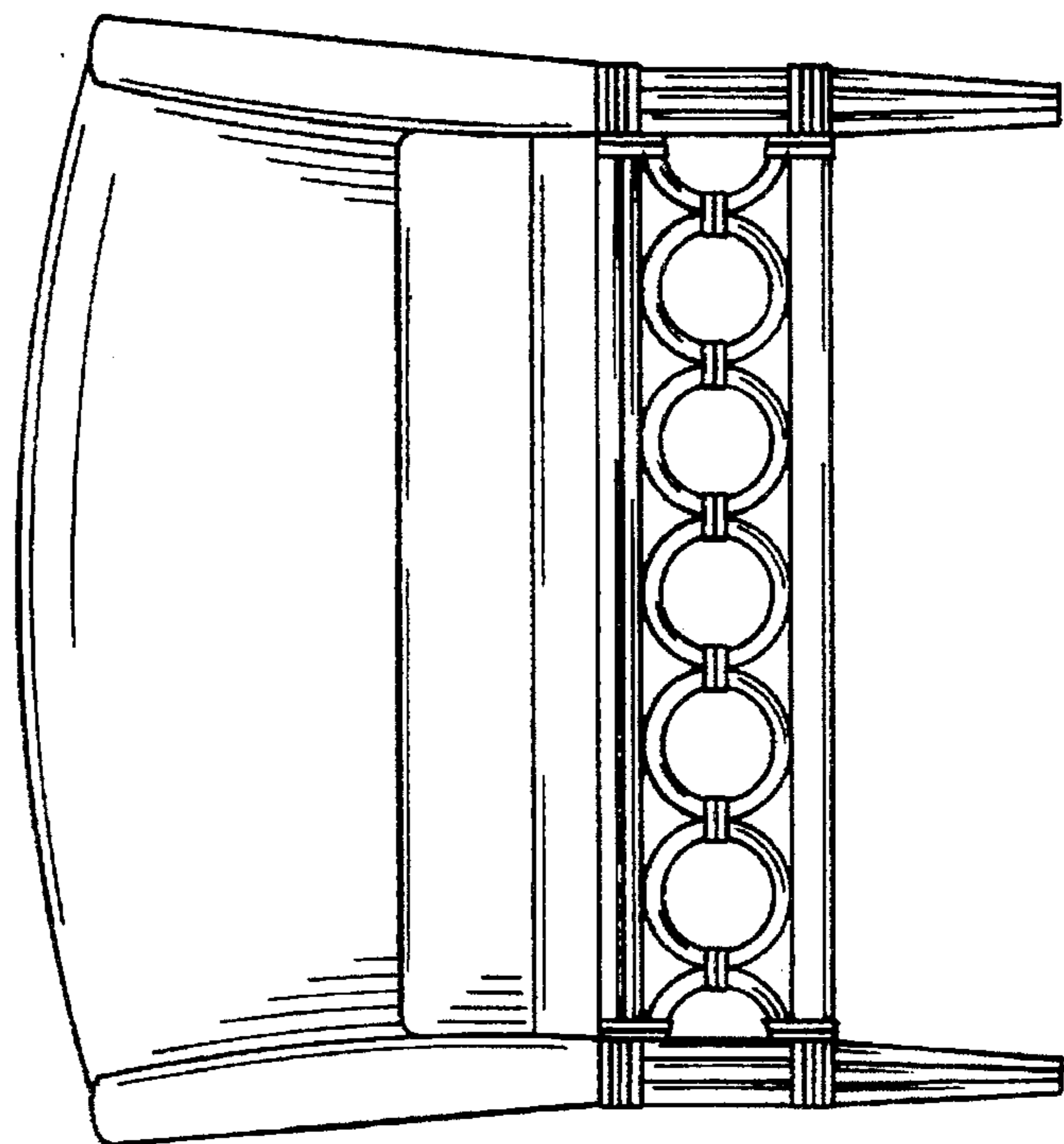


FIG. 2

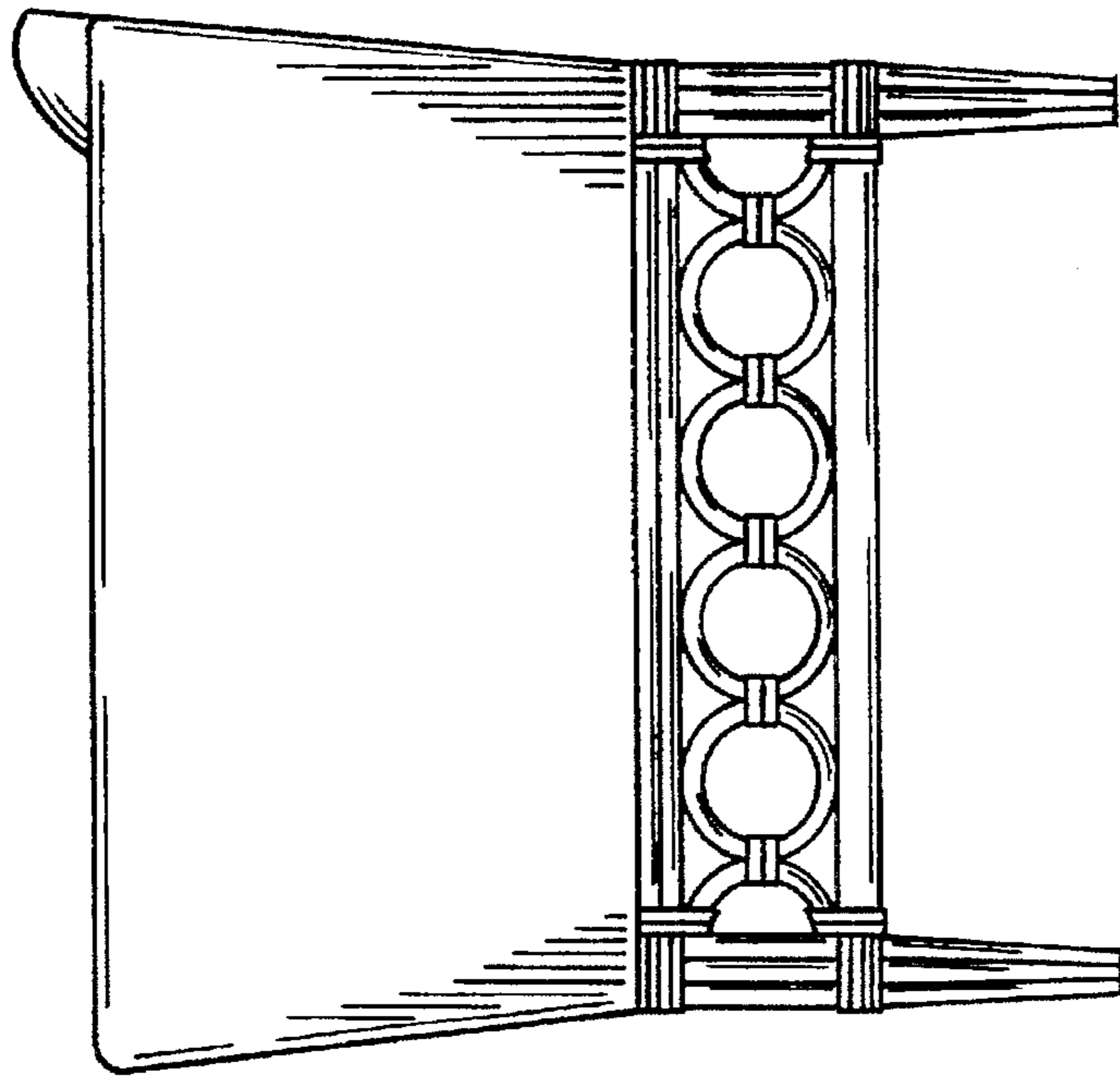


FIG. 4

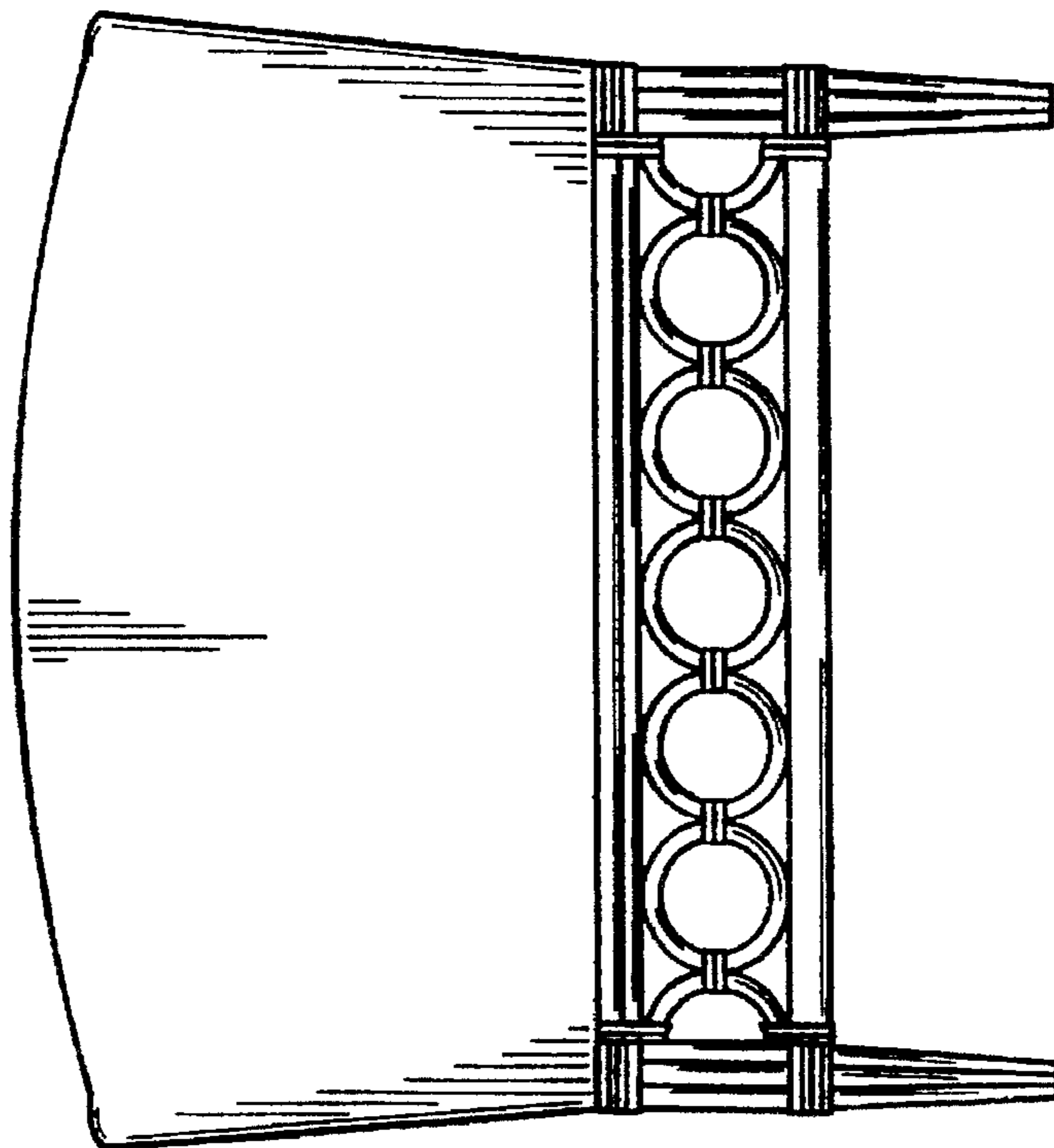


FIG. 3

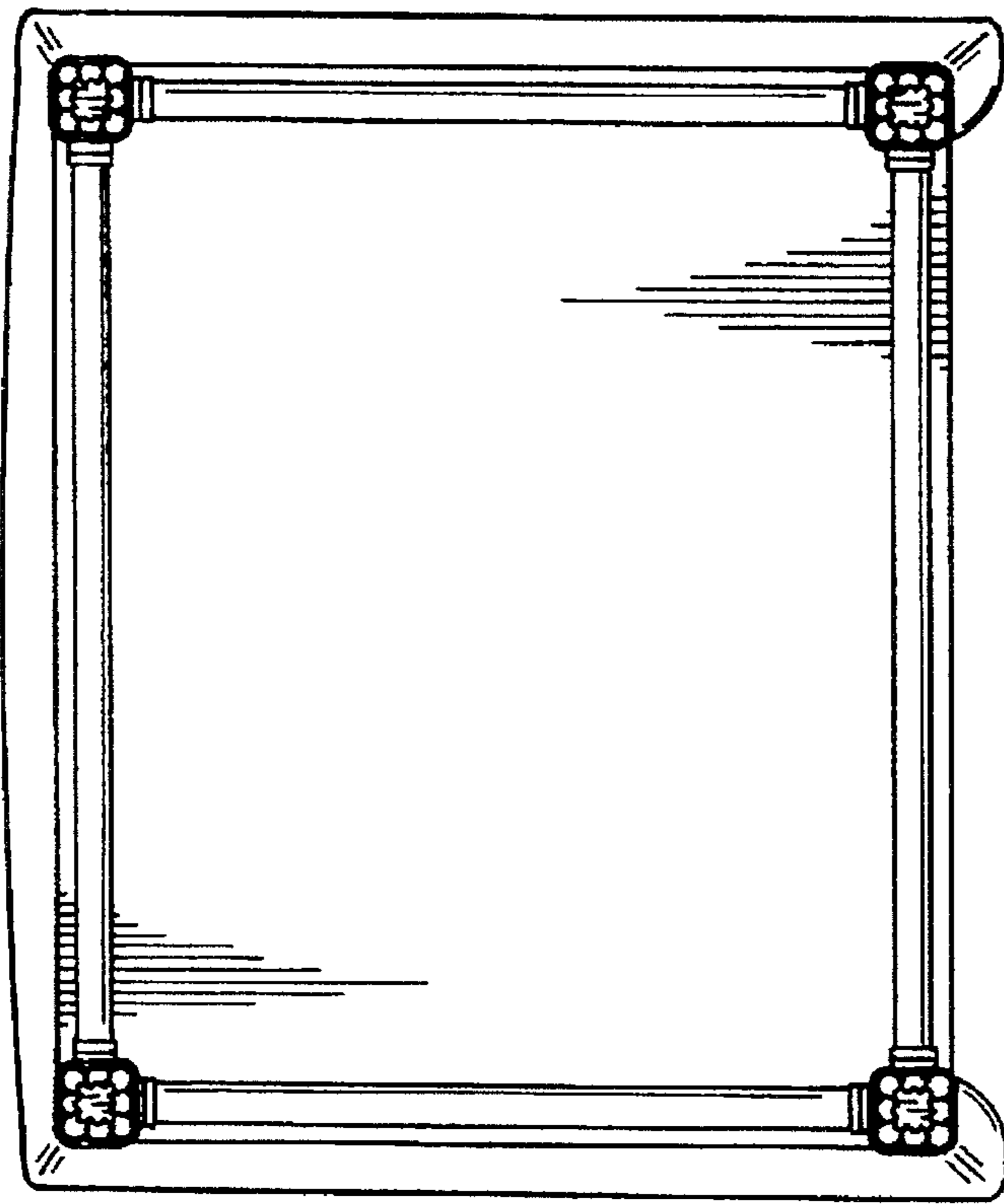


FIG. 6

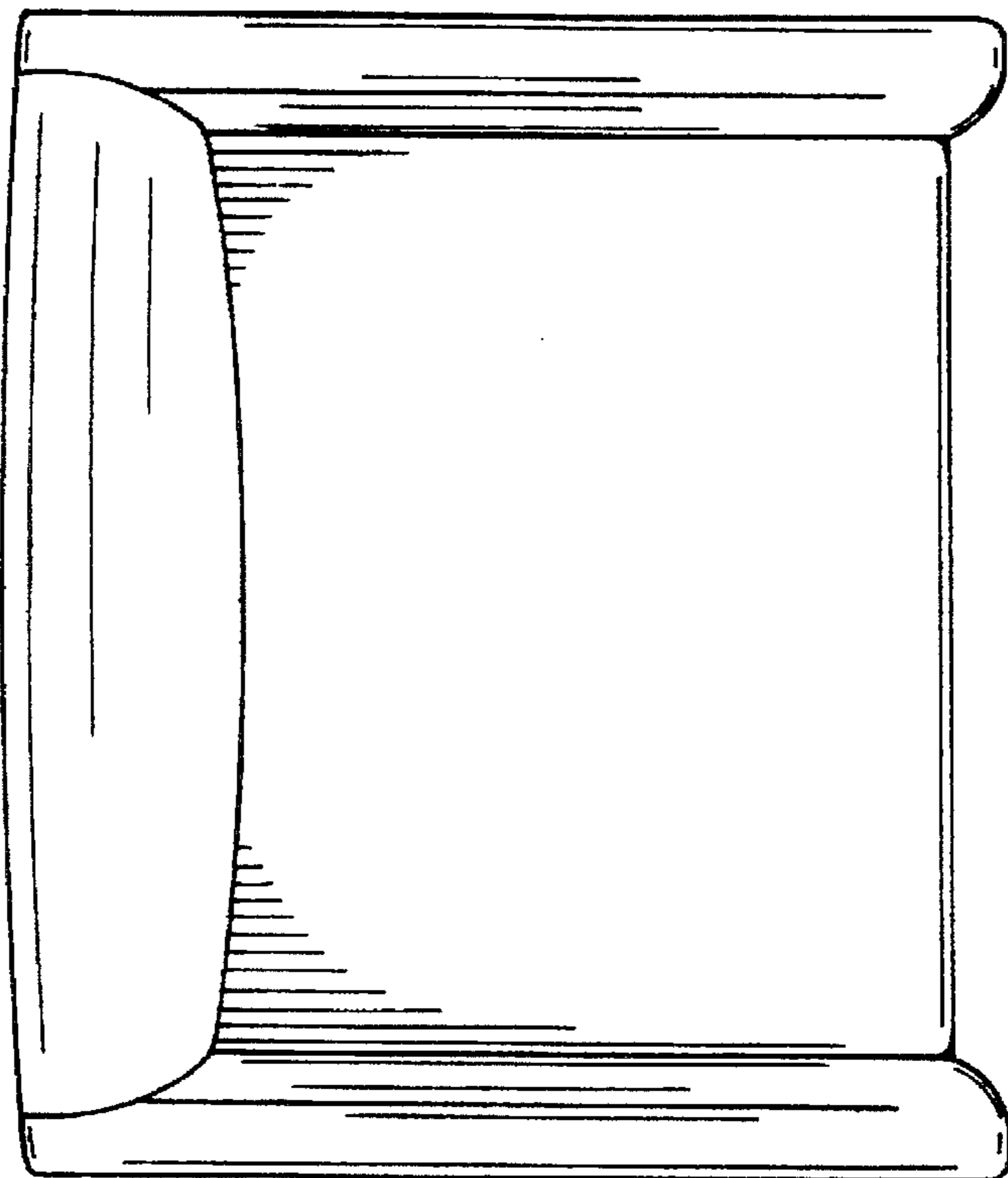


FIG. 5

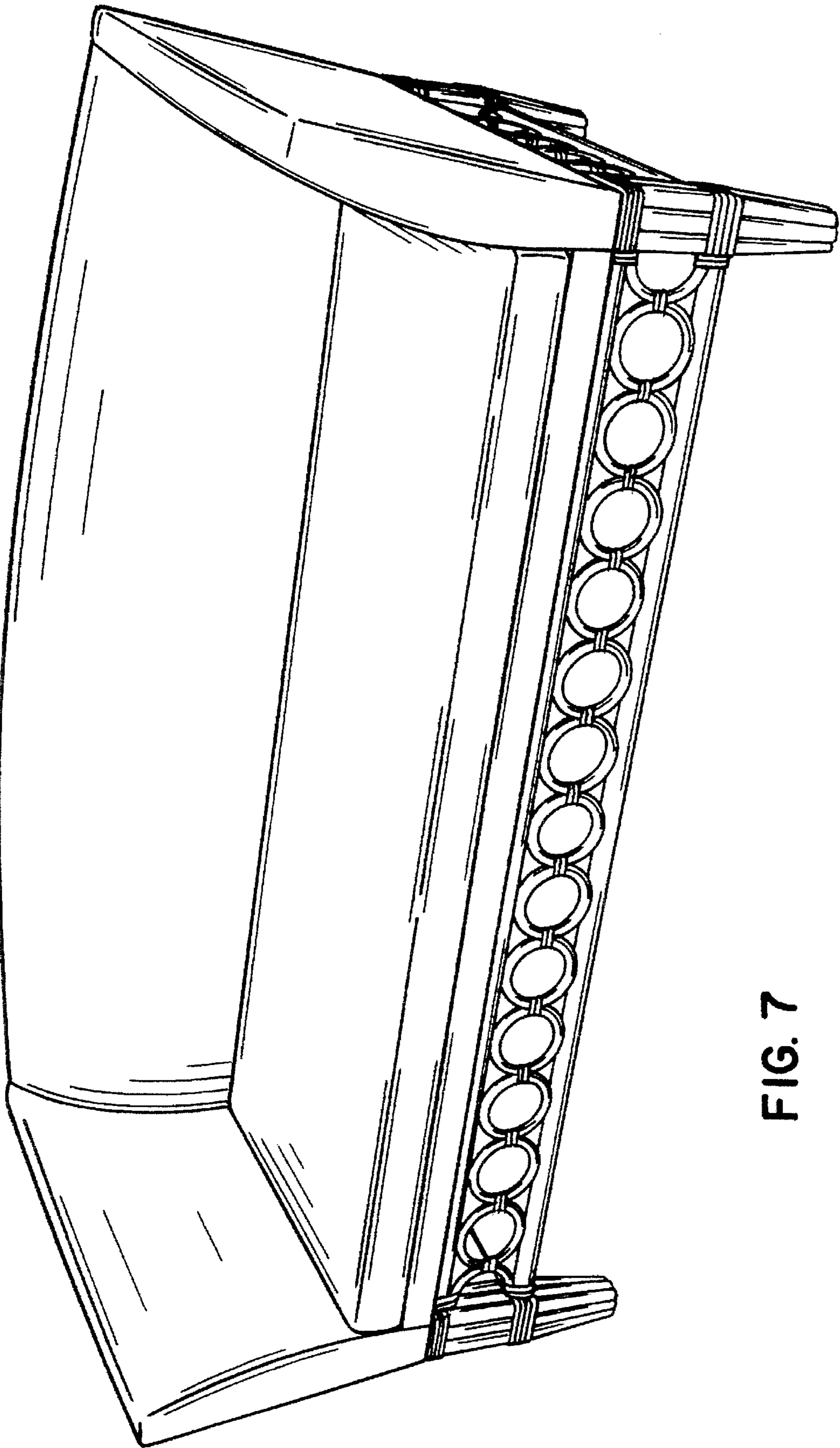


FIG. 7