



US00D380092S

# United States Patent [19]

[11] Patent Number: **Des. 380,092**

Denton et al.

[45] Date of Patent: **\*\*Jun. 24, 1997**

[54] **ROLL OF PAPER SEED MATTING**

[76] Inventors: **Rick Denton; Sharron Renee Denton**,  
both of 1558 W. Haven Pl., Stayton,  
Oreg. 97383

[\*\*] Term: **14 Years**

[21] Appl. No.: **39,162**

[22] Filed: **May 22, 1995**

[51] LOC (6) Cl. .... **05-99**

[52] U.S. Cl. .... **D5/47**

[58] Field of Search ..... D5/43, 53, 57,  
D5/47; 428/906; 111/199, 916; 128/155

[56] **References Cited**

**U.S. PATENT DOCUMENTS**

D. 367,766	3/1996	Makoui et al. ....	D5/57
2,574,375	11/1951	Chapman .....	D5/43 X
4,346,700	8/1982	Dunshee et al. ....	128/155
4,866,879	9/1989	Wood et al. ....	111/199 X
5,004,636	4/1991	Parris .....	428/906 X

**OTHER PUBLICATIONS**

Eylet Lace Bounty Paper Towel, Washington Post Nov. 25,  
1979.

P TT 120 Letraset Catalog 1983, p. 241.

Dot Pattern, Interior Design Market Feb. 1990.

chaztpak PT081 (Extra Fine Sand) 1984 Catalog.

*Primary Examiner*—M. N. Pandozzi

*Attorney, Agent, or Firm*—Harold H. Dutton, Jr.; W. Charles  
L. Jamison; Diane F. Liebman

[57] **CLAIM**

The ornamental design of a roll of paper seed matting, as  
shown and described.

**DESCRIPTION**

FIG. 1 is a perspective view of a roll of paper seed matting  
showing our new design;

FIG. 2 is a side view of a roll of paper seed matting shown  
unrolled and without the interior tube for clarity of illustra-  
tion, and has been broken away in middle to show indeter-  
minate length; and

FIG. 3 is a top view of FIG. 2;

FIG. 4 is a bottom view of FIG. 2; and,

FIG. 5 is a front elevational view, the rear elevational view  
being a mirror image thereof.

**1 Claim, 3 Drawing Sheets**

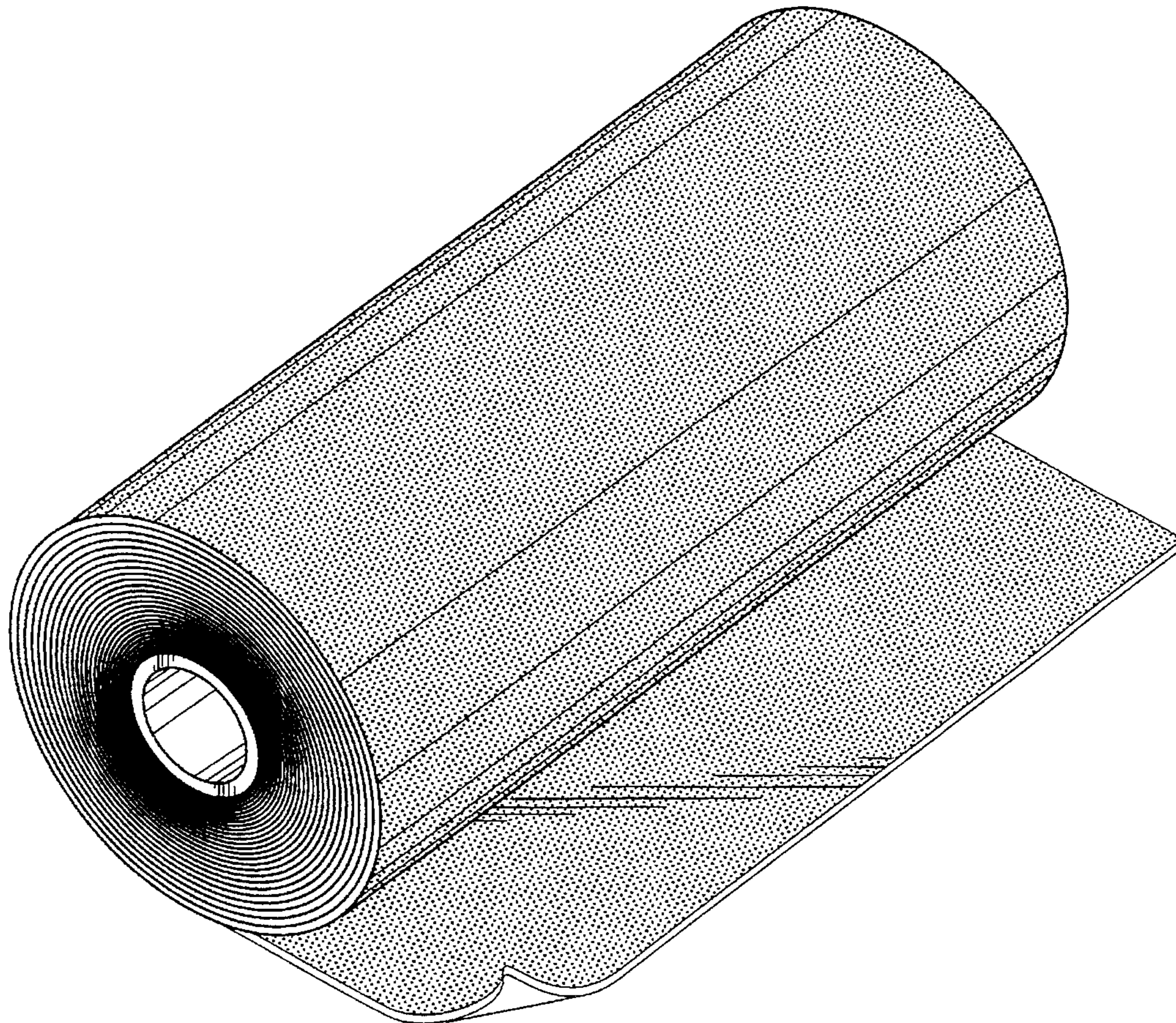




FIG. 1

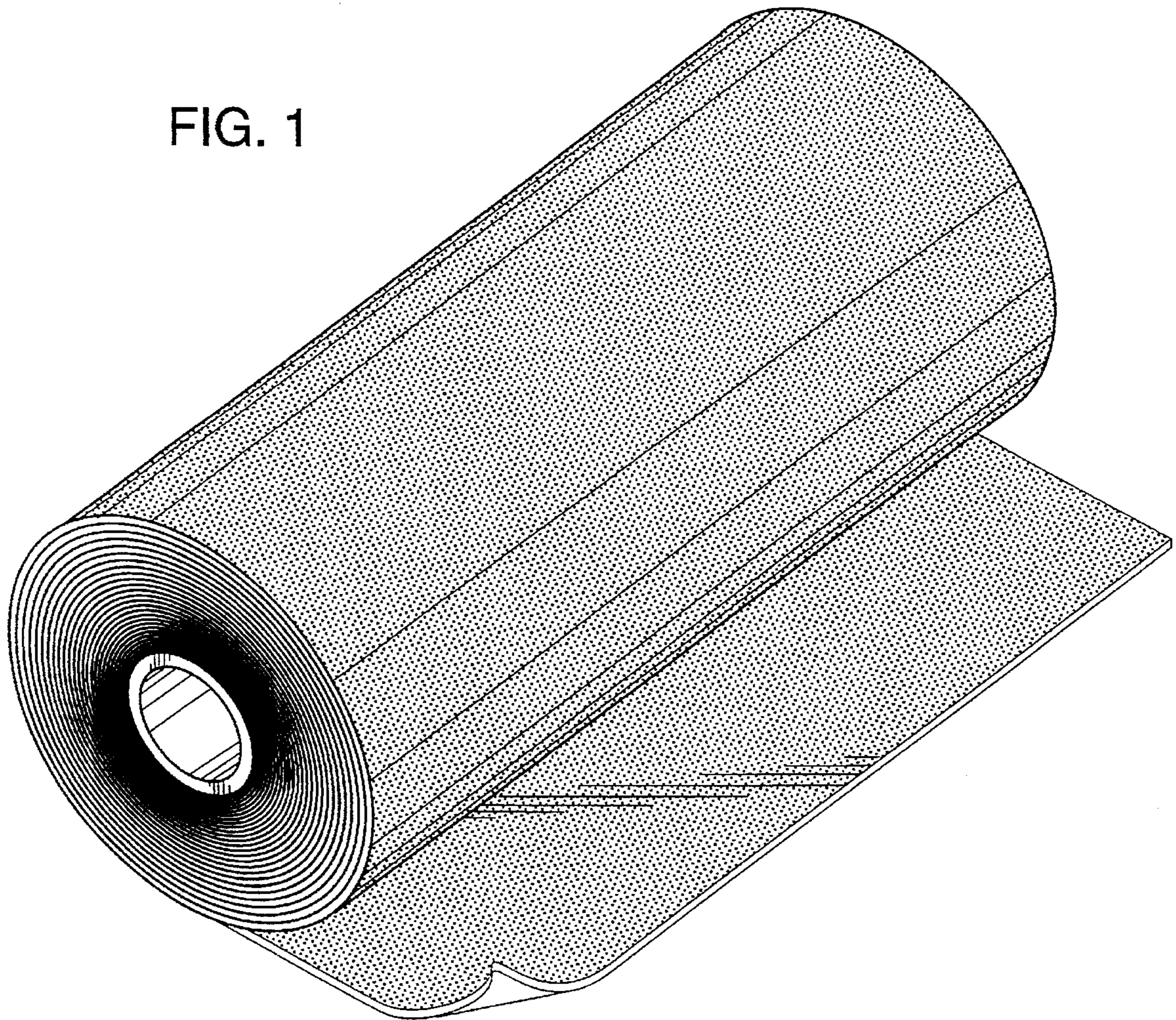


FIG. 2

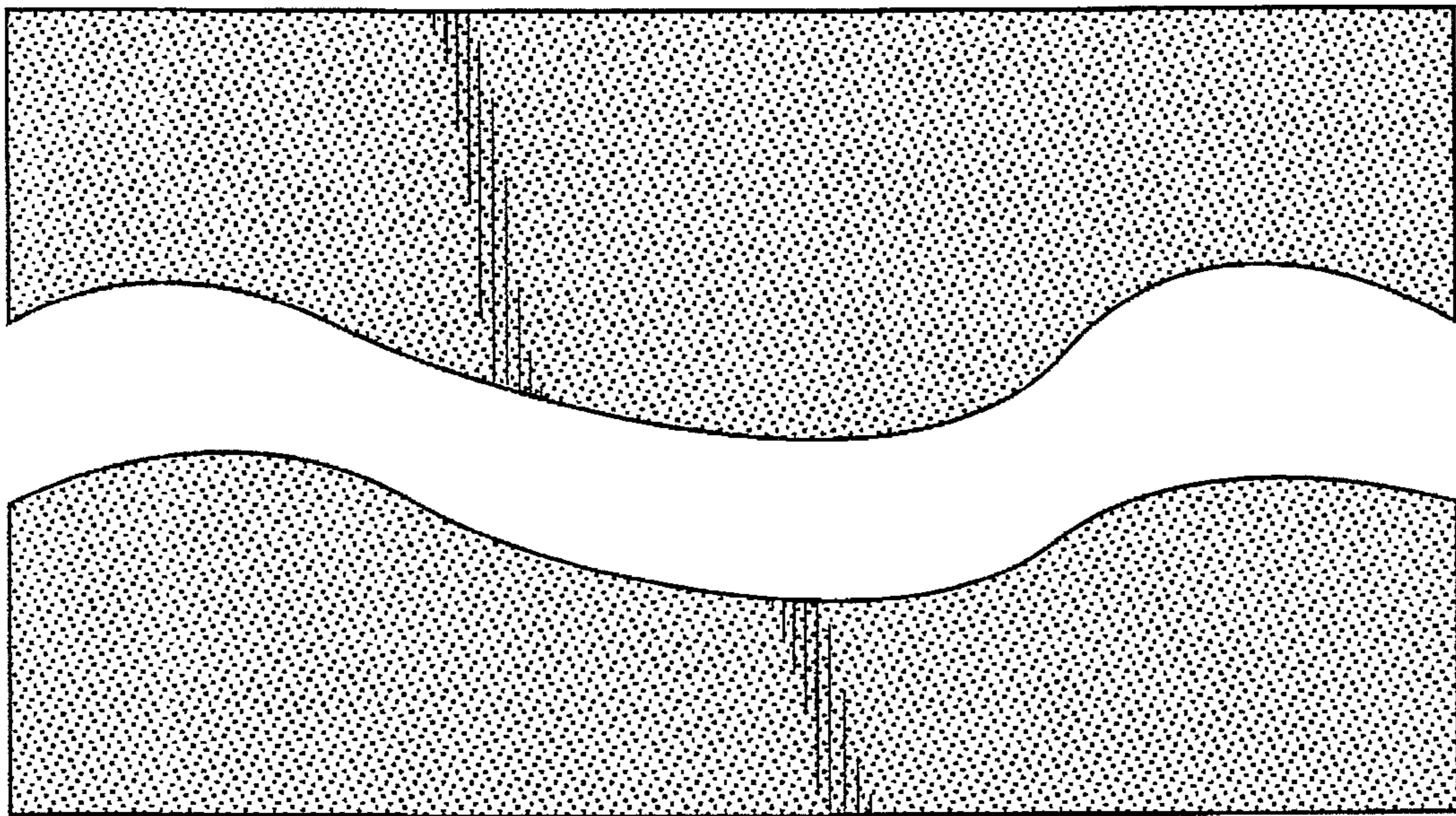


FIG. 3



FIG. 4

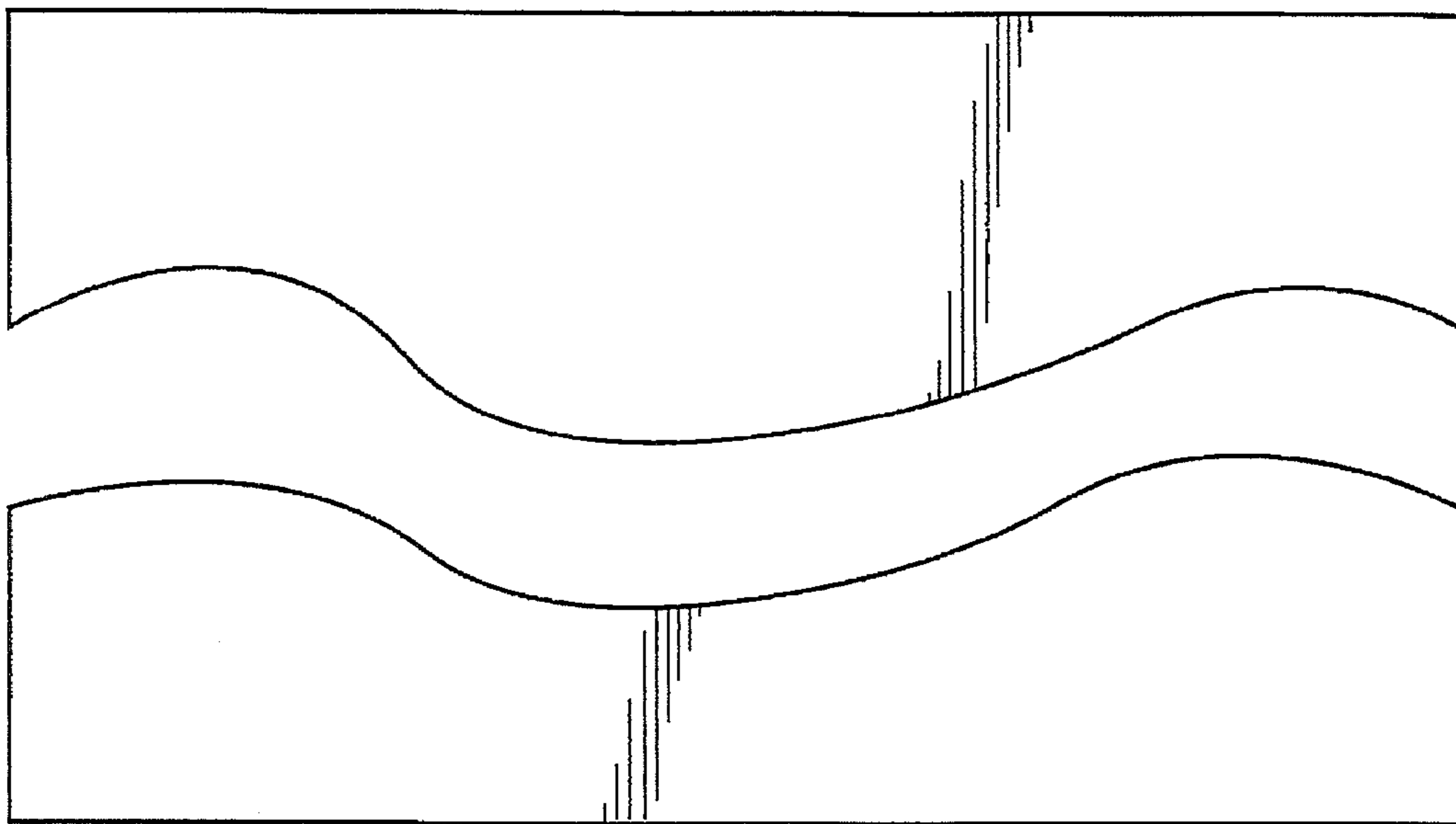


FIG. 5