



US00D380091S

United States Patent [19]

[11] Patent Number: Des. 380,091

Shea et al.

[45] Date of Patent: **Jun. 24, 1997

[54] WIRED EDGE RIBBON

[57] CLAIM

[75] Inventors: Scott M. Shea; Frederick J. Davis, both of Berwick, Pa.

The ornamental design for a wired edge ribbon, as shown and described.

[73] Assignee: Berwick Industries, Inc., Berwick, Pa.

DESCRIPTION

[**] Term: 14 Years

FIG. 1 is a front view of a wired edge ribbon embodying the new design, the ribbon being broken away to indicate a ribbon of indeterminate length;

[21] Appl. No.: 41,067

FIG. 2 is an end elevational view thereof, the opposite side being a mirror image thereof;

[22] Filed: Jul. 5, 1995

FIG. 3 is a fragmentary enlargement of the lower part of the end view shown in the circle at 3 in FIG. 2 illustrating the relative thicknesses of the ribbon and the wire;

[51] LOC (6) Cl. 05-04

[52] U.S. Cl. D5/3; D5/57; D5/60; D5/7

[58] Field of Search D5/3, 7, 4, 61, D5/60, 53, 25, 57, 99, 40; D2/627; 428/121, 43, 187, 906; D10/71; 112/436, 139; D7/396.4

FIG. 4 is a plan view of the ribbon, the top and bottom plan views being identical;

FIG. 5 is a rear view of the ribbon shown in FIG. 1;

FIG. 6 is a rear perspective view thereof;

[56] References Cited

U.S. PATENT DOCUMENTS

D. 24,094	3/1895	Kuenemann	D5/57
D. 24,792	10/1895	Rigby	D10/71
D. 198,301	5/1964	Ellefson	D5/53
D. 272,031	1/1984	Faber	D7/396.4
D. 347,525	6/1994	Wechsler et al.	D5/7 X
4,007,835	2/1977	Klothe	428/121 X
4,406,075	9/1983	Jaffe	428/187 X
4,901,661	2/1990	Sturm et al.	112/436
4,978,568	12/1990	Postma	428/187 X
4,981,095	1/1991	Sturm	112/436
5,080,029	1/1992	Salomon et al.	112/139
5,246,775	9/1993	Loscuito	428/906 X
5,275,857	1/1994	Long	428/43
5,484,639	1/1996	Woodall et al.	D5/25 X

FIG. 7 is a fragmentary enlargement of the lower part of the perspective view shown in the circle at 7 in FIG. 6;

FIG. 8 is a front view of a second embodiment of a wired edge ribbon, the ribbon being broken away to indicate indeterminate length;

FIG. 9 is an end elevational view thereof, the opposite end being a mirror image;

FIG. 10 is an enlargement of the lower part of the view shown in the circle at 10 in FIG. 9;

FIG. 11 is a plan view of the ribbon shown in FIG. 8, the top and bottom plan views being identical;

FIG. 12 is a rear view of the ribbon shown in FIG. 8;

FIG. 13 is an enlarged elevation of the portion of the ribbon encircled at 13 in FIG. 12;

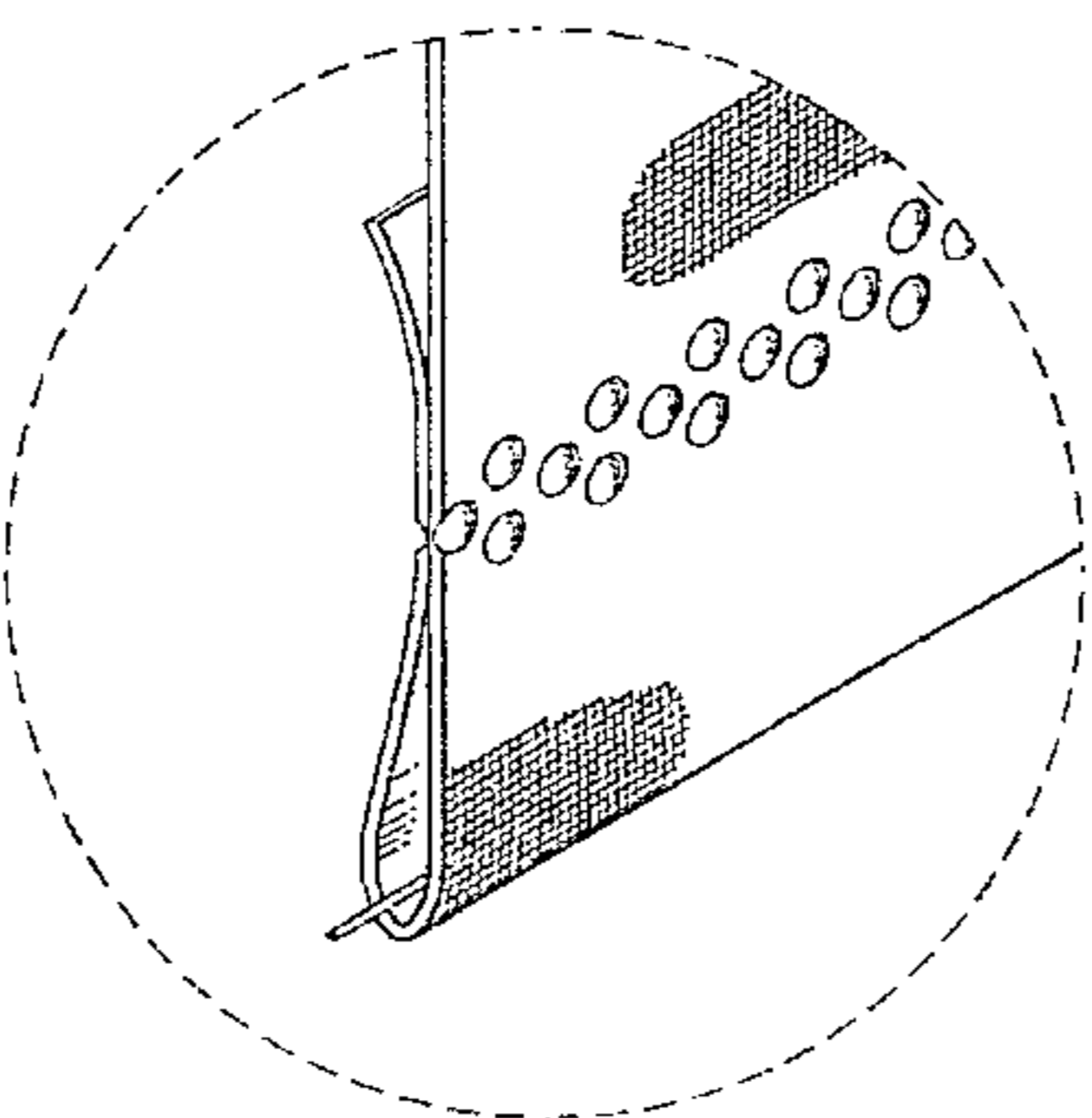
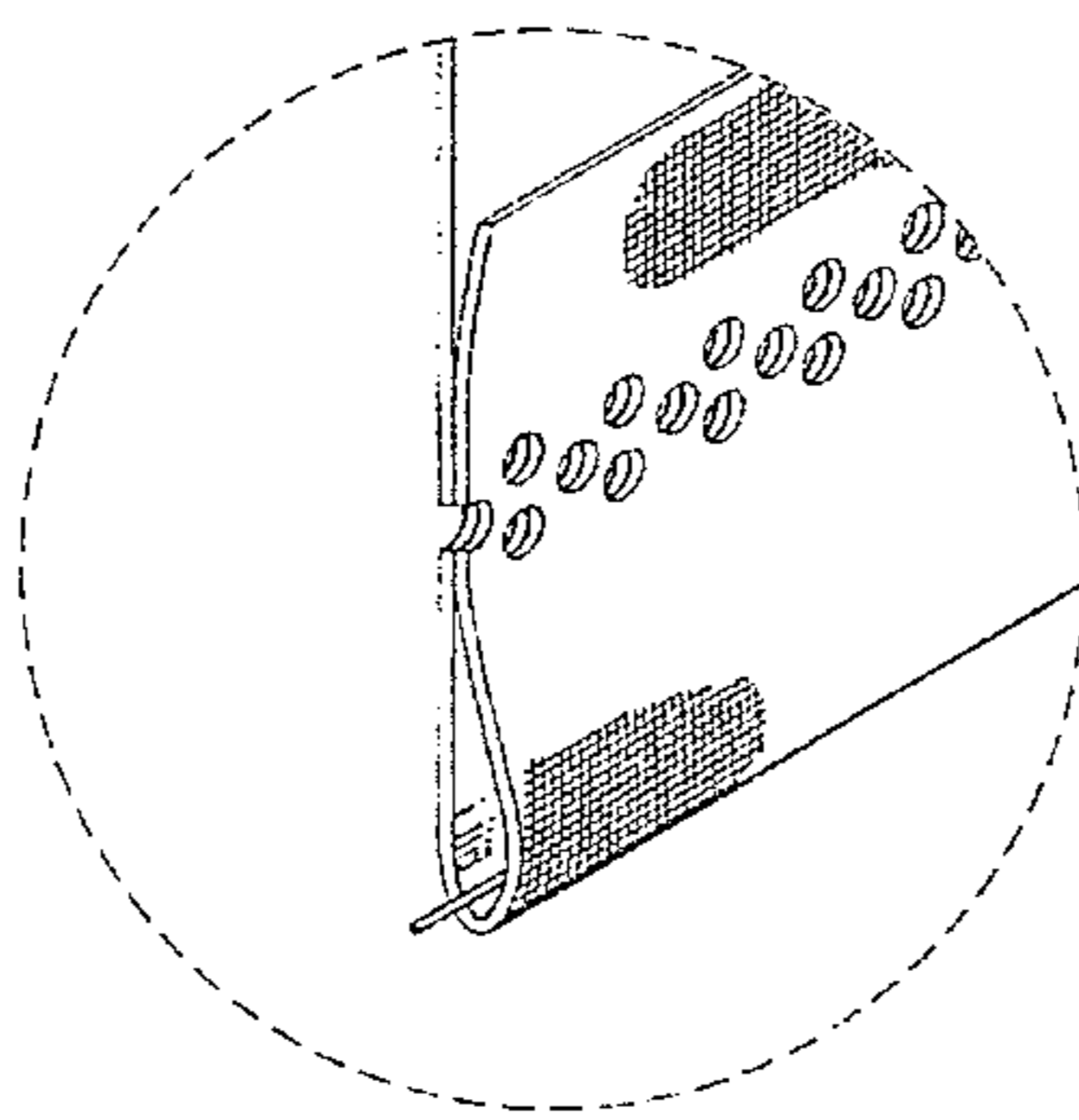
FIG. 14 is a front perspective view thereof; and,

FIG. 15 is an enlarged illustration of the lower front corner of the perspective view encircled at 15 in FIG. 14.

Primary Examiner—M. N. Pandozzi

Attorney, Agent, or Firm—Dann, Dorfman, Herrell and Skillman; Henry H. Skillman; Charles N. Quinn

1 Claim, 6 Drawing Sheets



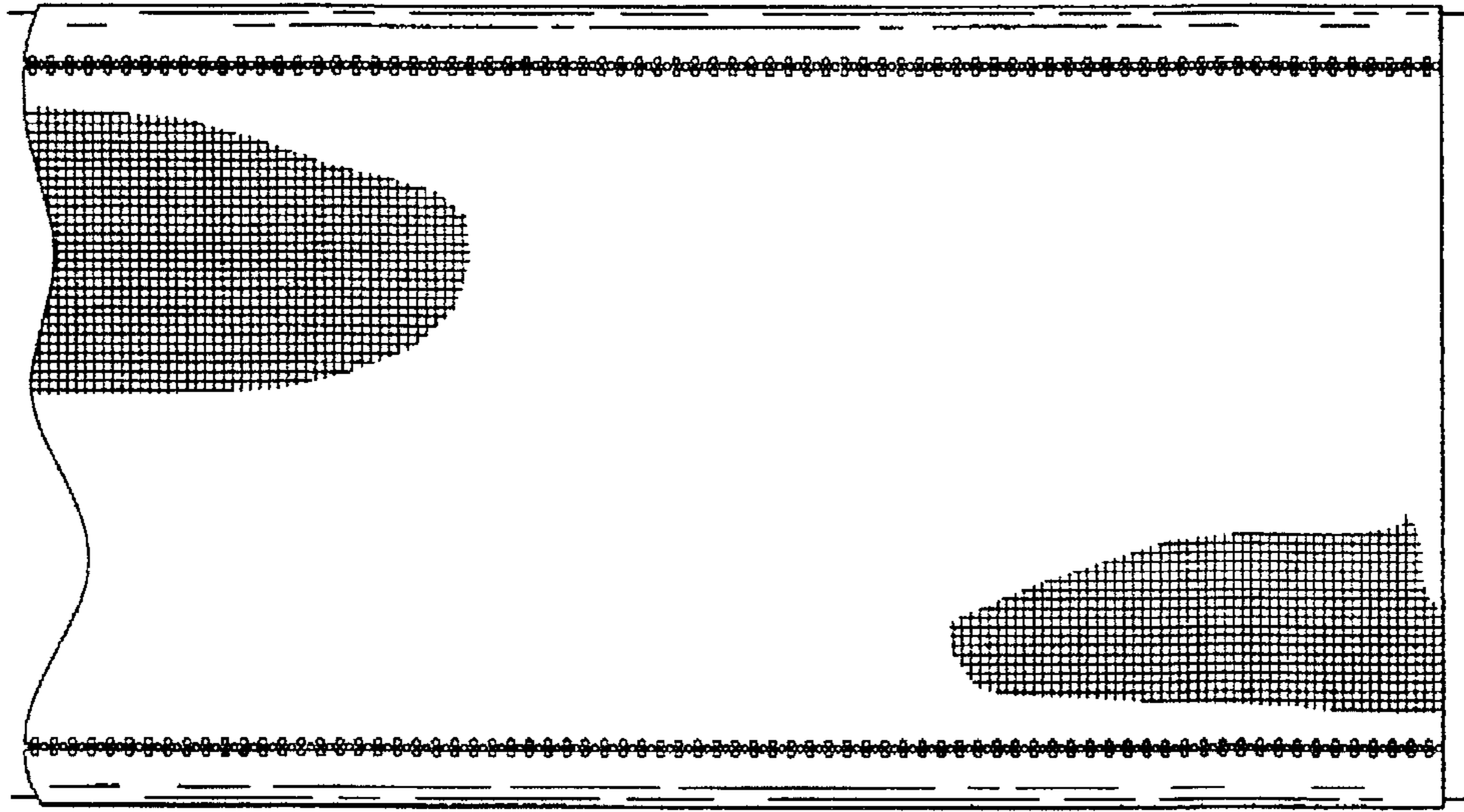


FIG. 1

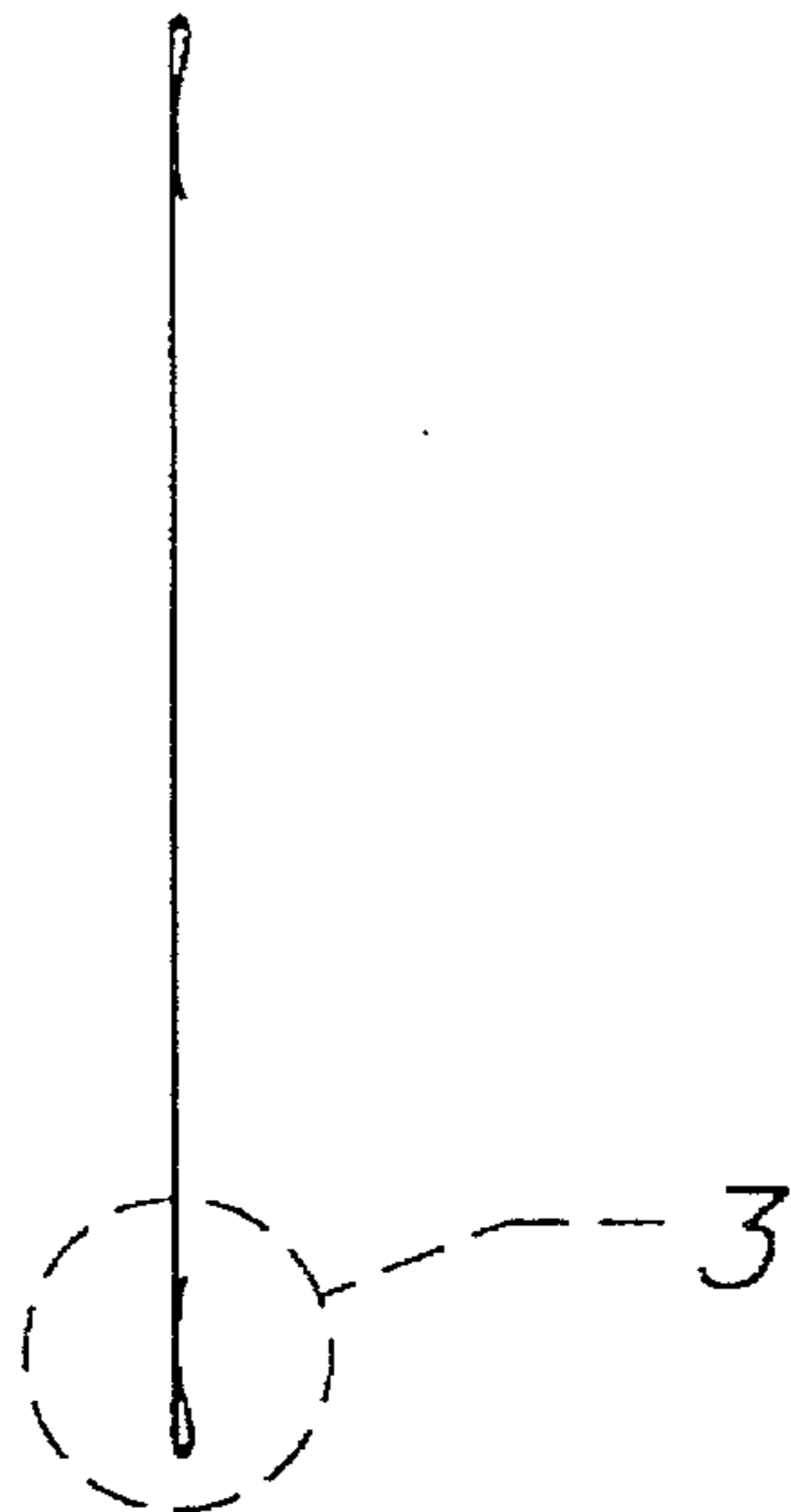


FIG. 2

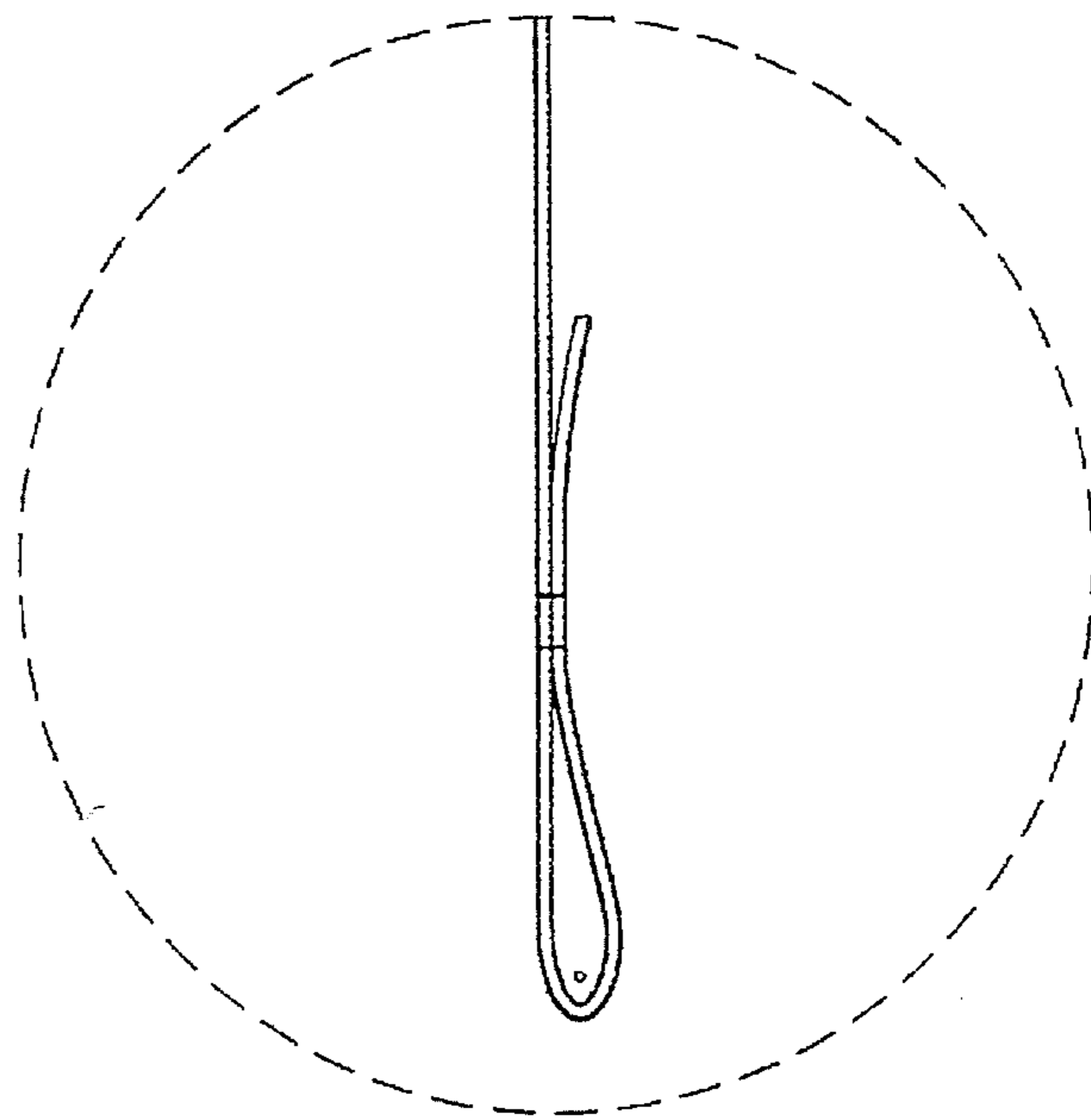


FIG. 3

FIG. 4

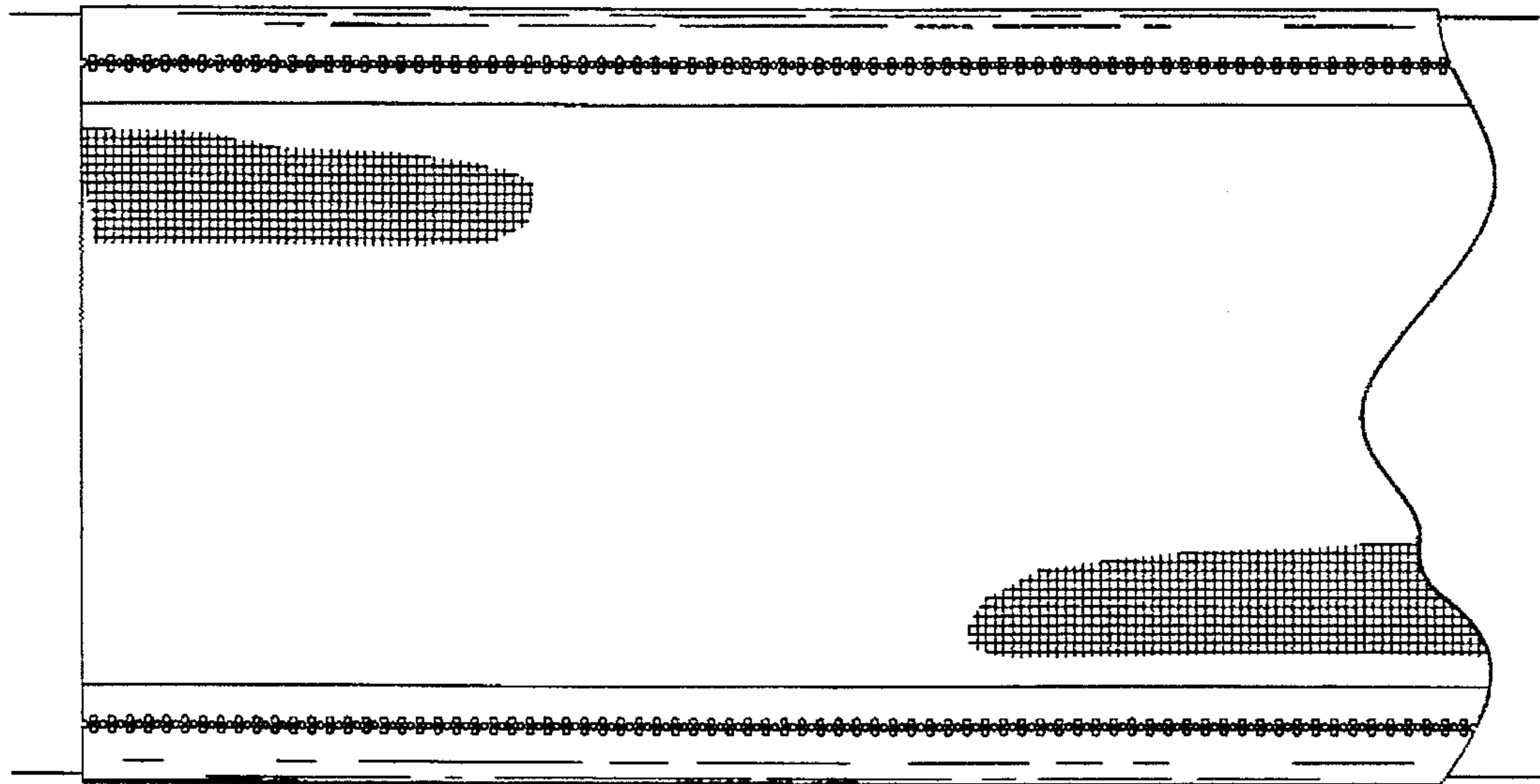


FIG. 5

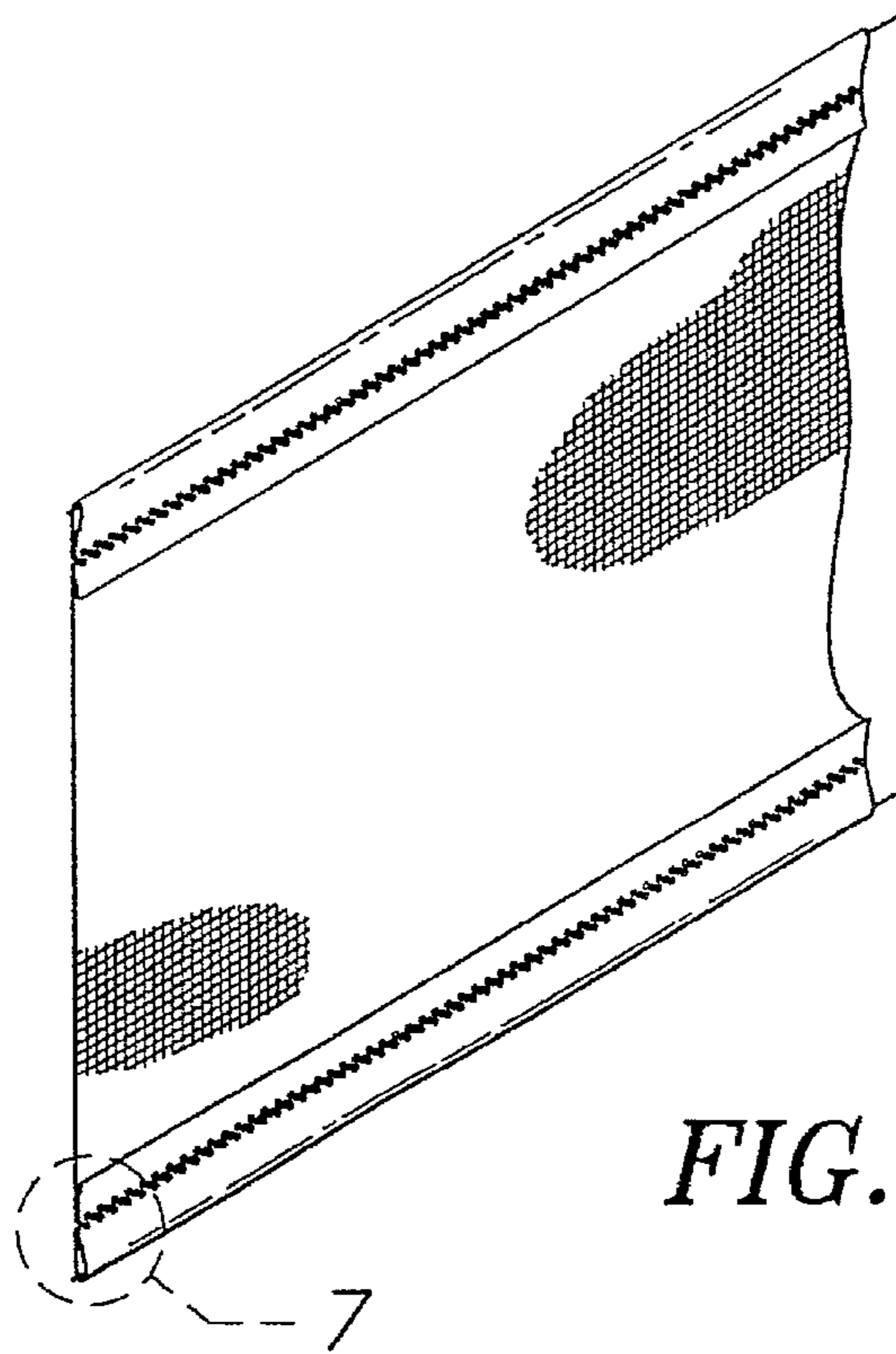


FIG. 6

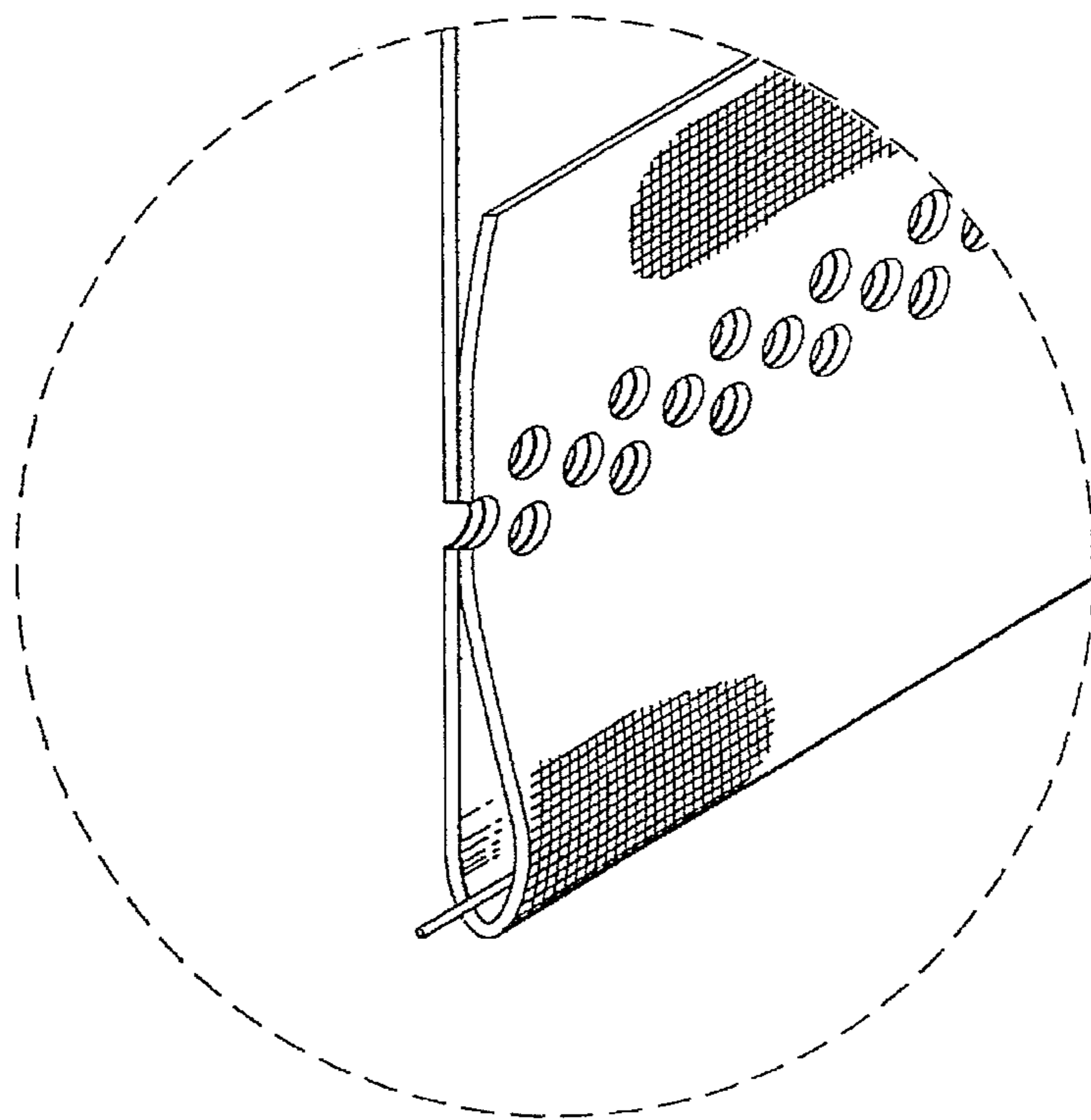


FIG. 7

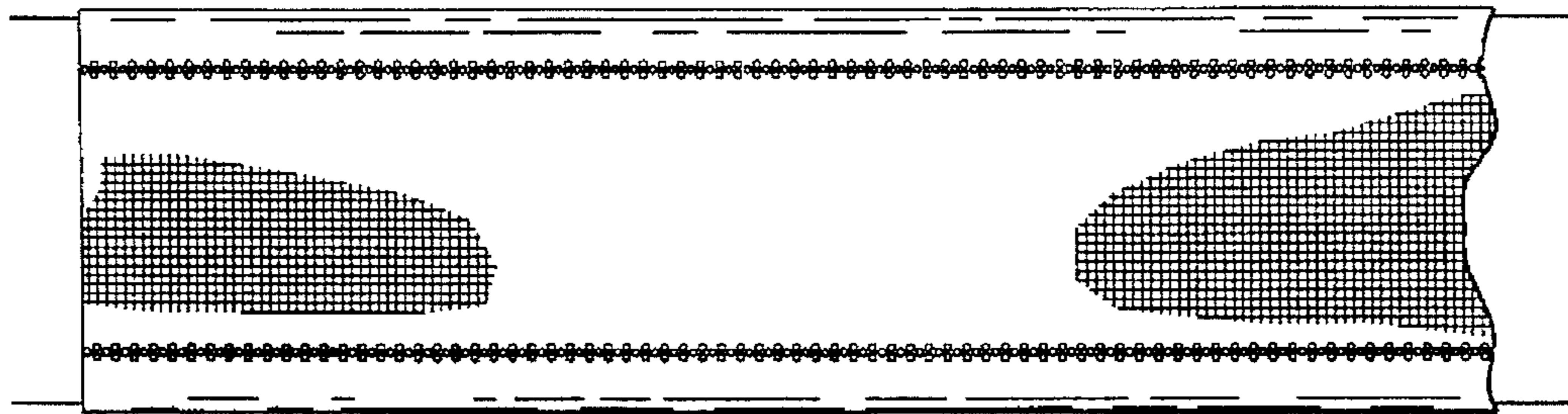


FIG. 8

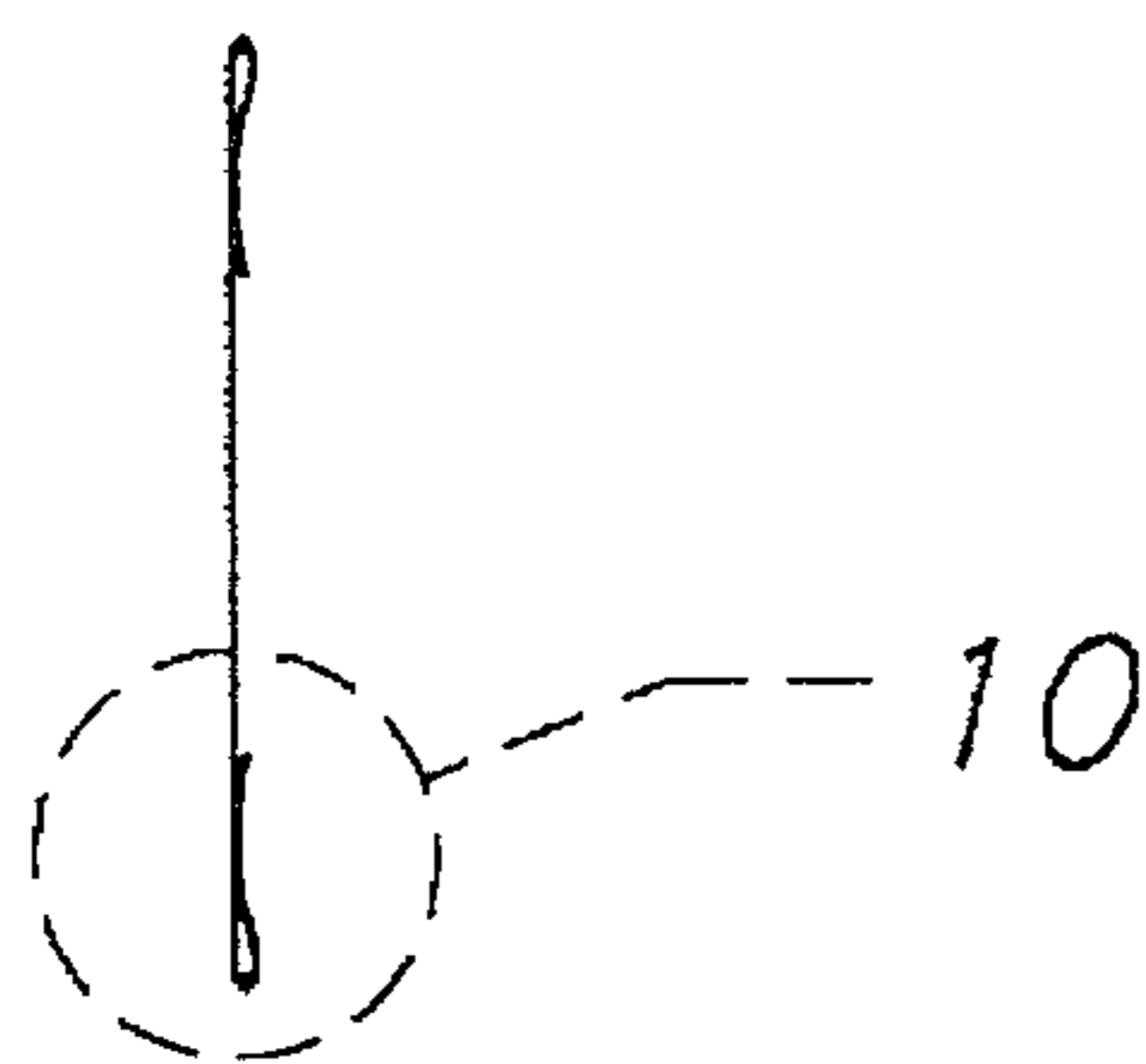


FIG. 9

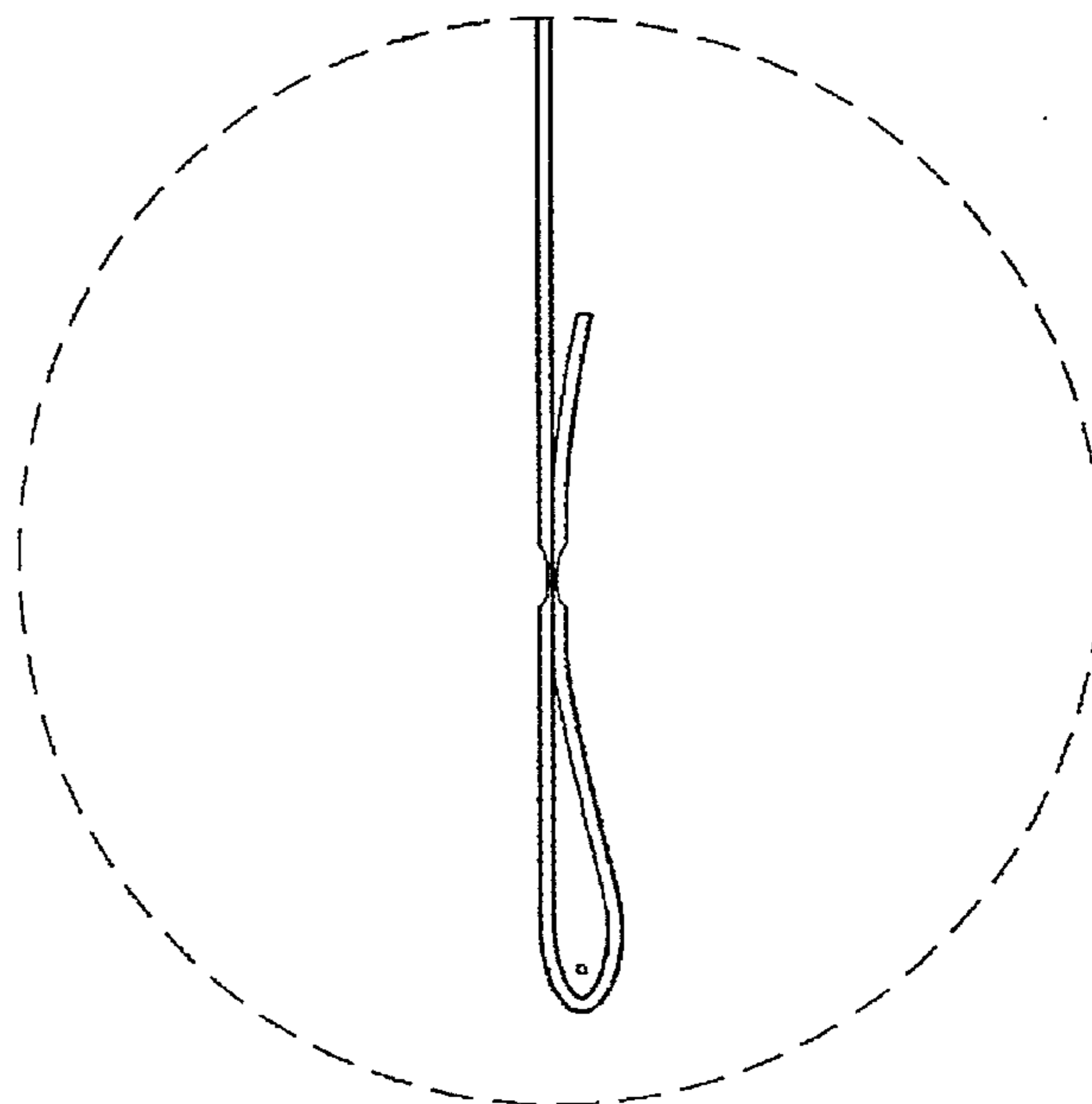
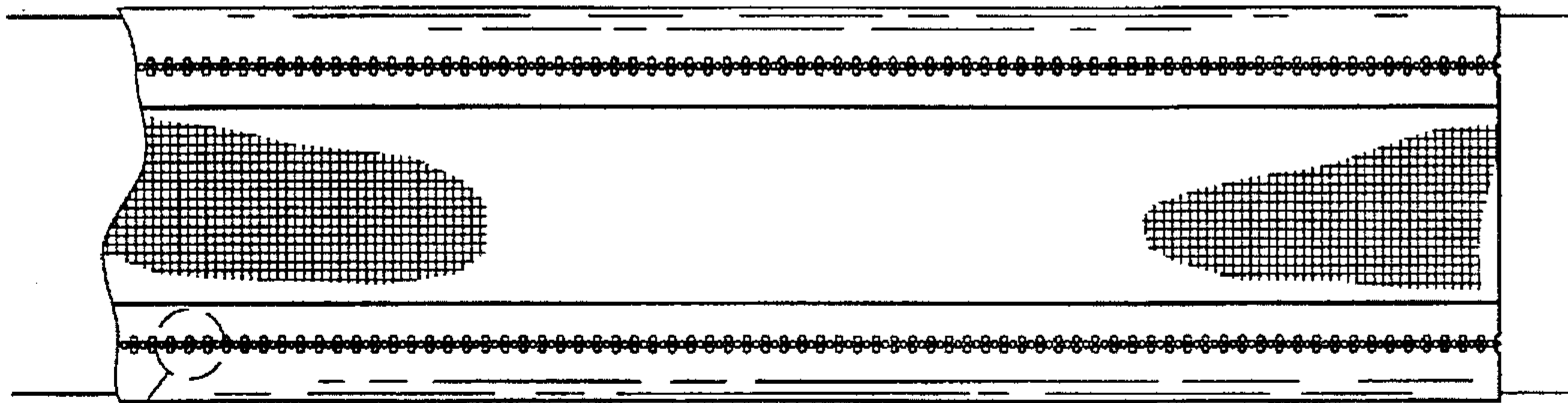


FIG. 10

FIG. 11



13

FIG. 12

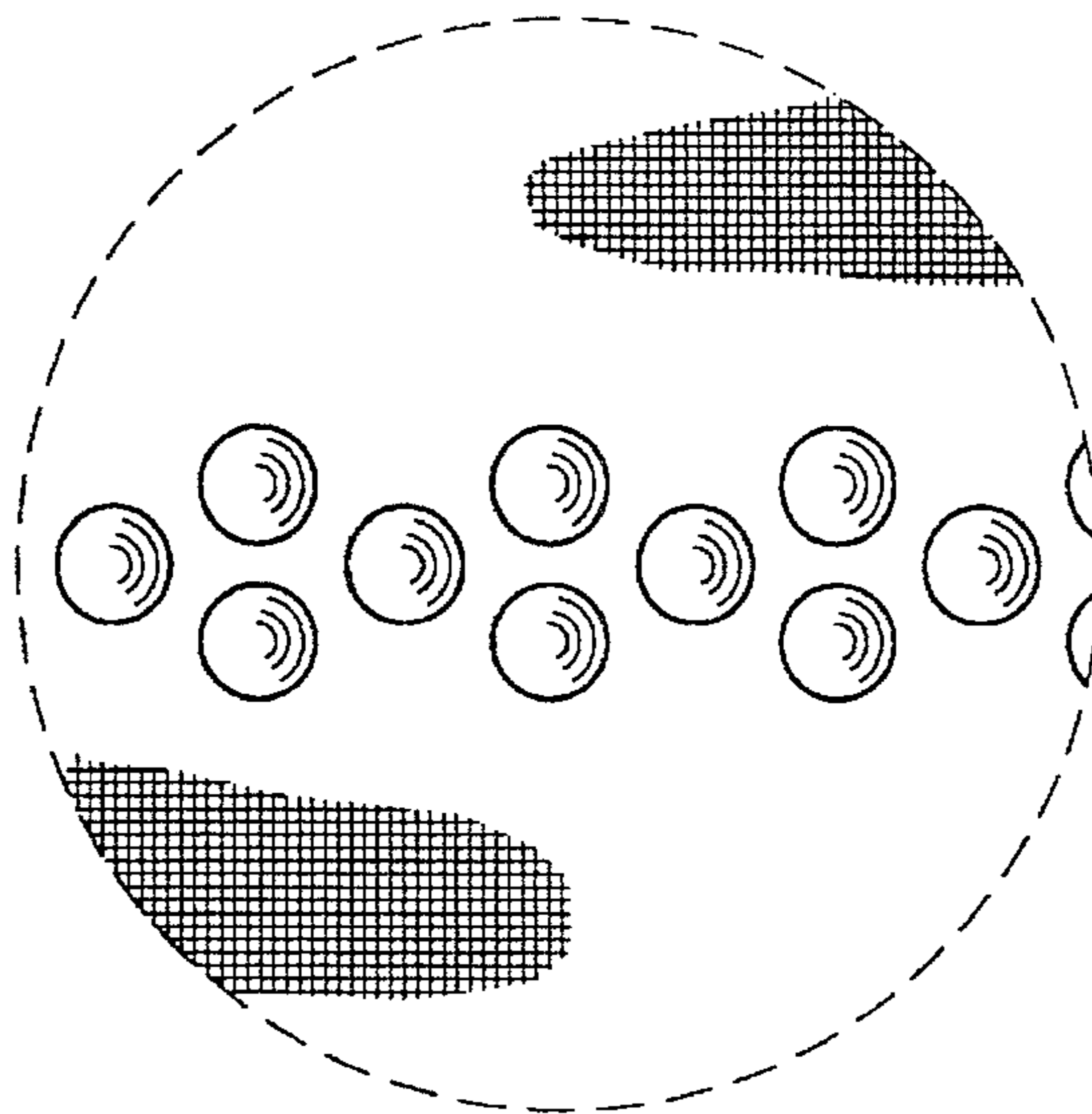


FIG. 13

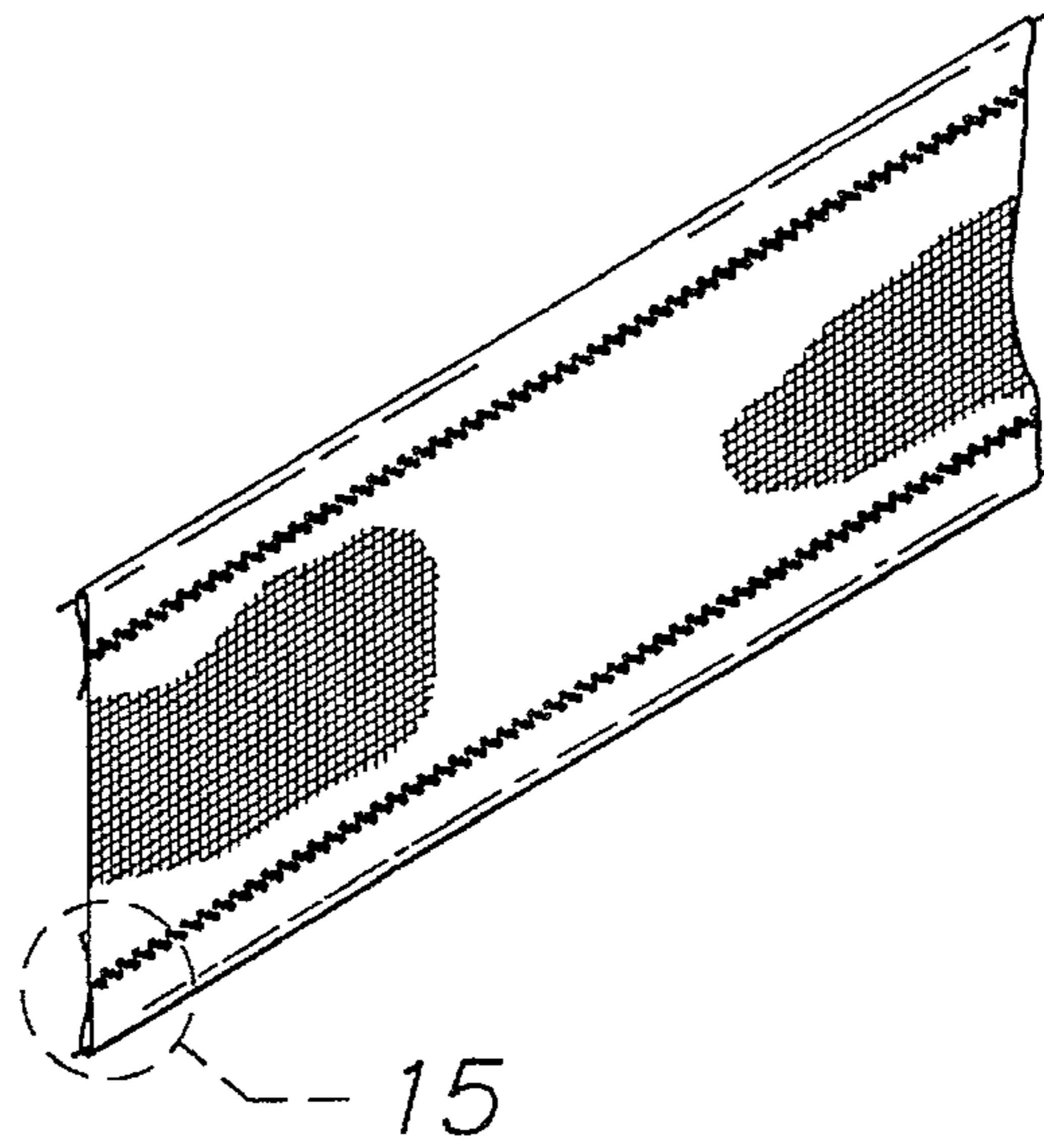


FIG. 14

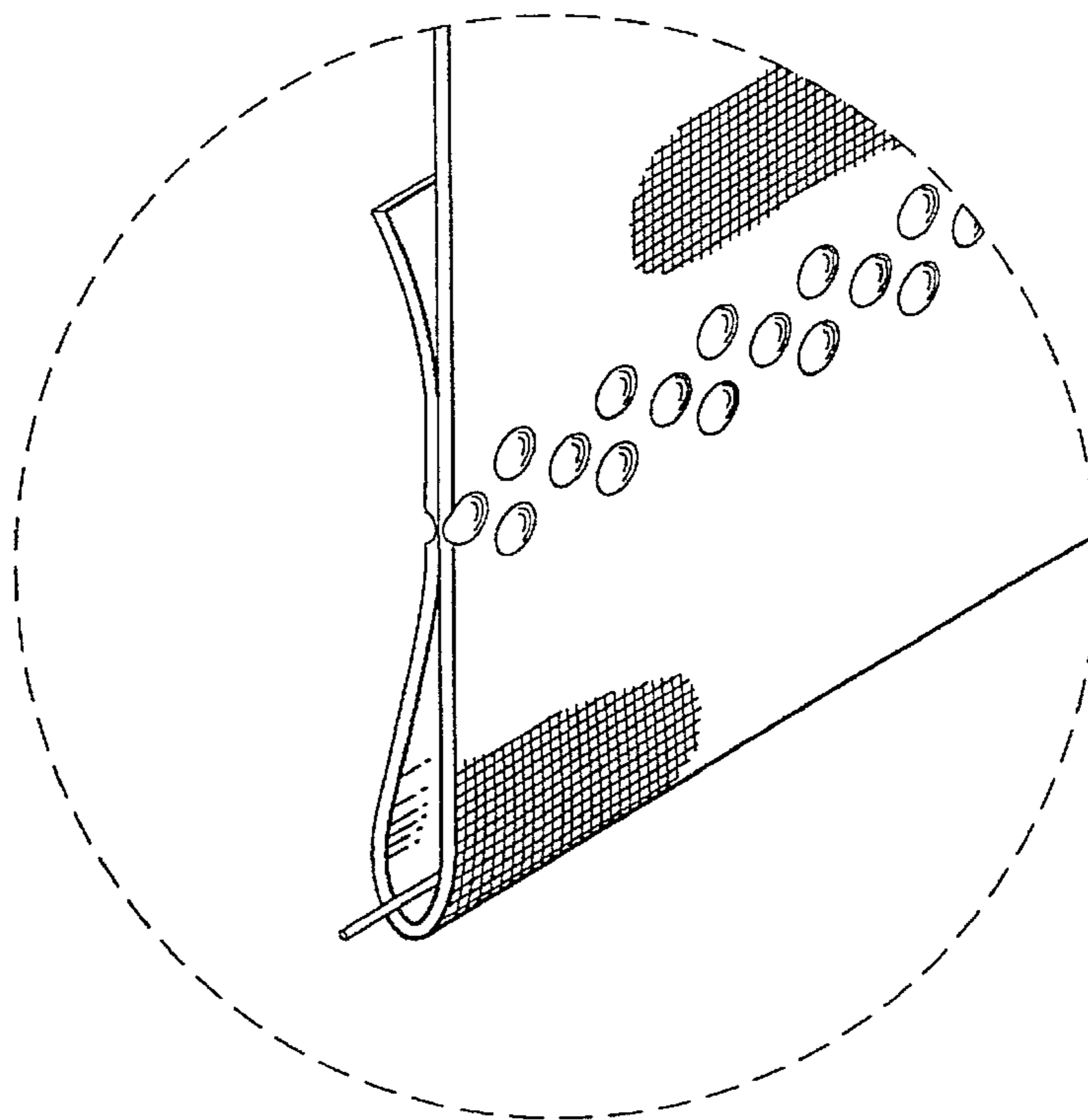


FIG. 15