



US00D380089S

United States Patent [19]

Bartel

[11] Patent Number: **Des. 380,089**

[45] Date of Patent: ****Jun. 24, 1997**

[54] **LIQUID DISPENSING BRUSH**

[75] Inventor: **Kevin M. Bartel**, 29466 S. Marshall Rd., Mulino, Oreg. 97042

[73] Assignee: **Kevin M. Bartel**, Mulino, Oreg.

[**] Term: **14 Years**

[21] Appl. No.: **53,165**

[22] Filed: **Apr. 15, 1996**

[51] LOC (6) Cl. **04-01**

[52] U.S. Cl. **D4/114; D4/134**

[58] Field of Search D4/114, 116, 130, D4/132-134, 136, 138; D9/338; D28/7, 25, 28-29; 15/143.1, 159.1, 160, 186, 187; 132/112, 120-121, 313; 401/137-138, 140, 190, 268, 270, 279, 287, 291

[56] **References Cited**

U.S. PATENT DOCUMENTS

- D. 118,422 1/1940 Weber D4/133
- D. 121,092 6/1940 Gustafson D4/133

- D. 309,529 7/1990 Kim D4/114 X
- D. 324,777 3/1992 Vangen D4/114
- D. 362,964 10/1995 Sanchez D4/114
- 3,516,424 6/1970 Eagle 401/137 X
- 3,973,853 8/1976 Myers 401/190

Primary Examiner—A. Hugo Word
Assistant Examiner—Lavone D. Tabor

[57] **CLAIM**

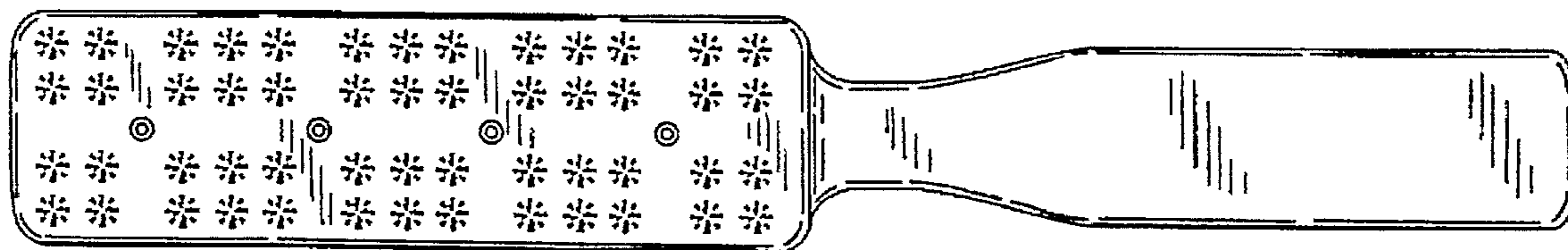
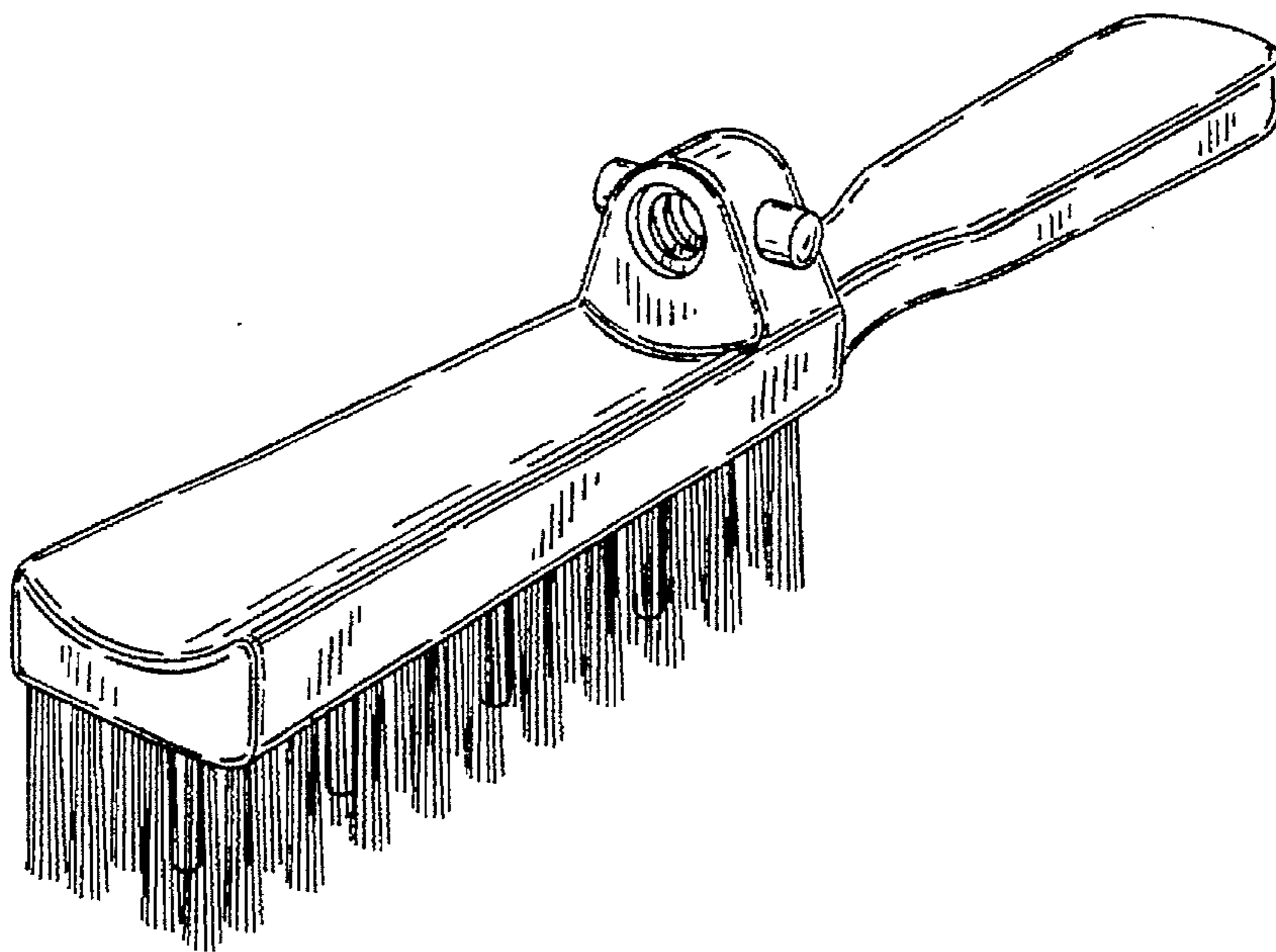
The ornamental design for a liquid dispensing brush, as shown and described.

DESCRIPTION

FIG. 1 is a perspective view;
 FIG. 2 is a front view;
 FIG. 3 is a back view;
 FIG. 4 is a top view;
 FIG. 5 is a left side view, the right side view is a mirror image; and,
 FIG. 6 is a bottom view.

The broken line showing of a container in FIG. 5 is for illustrative purposes only and forms no part of the claimed design.

1 Claim, 1 Drawing Sheet



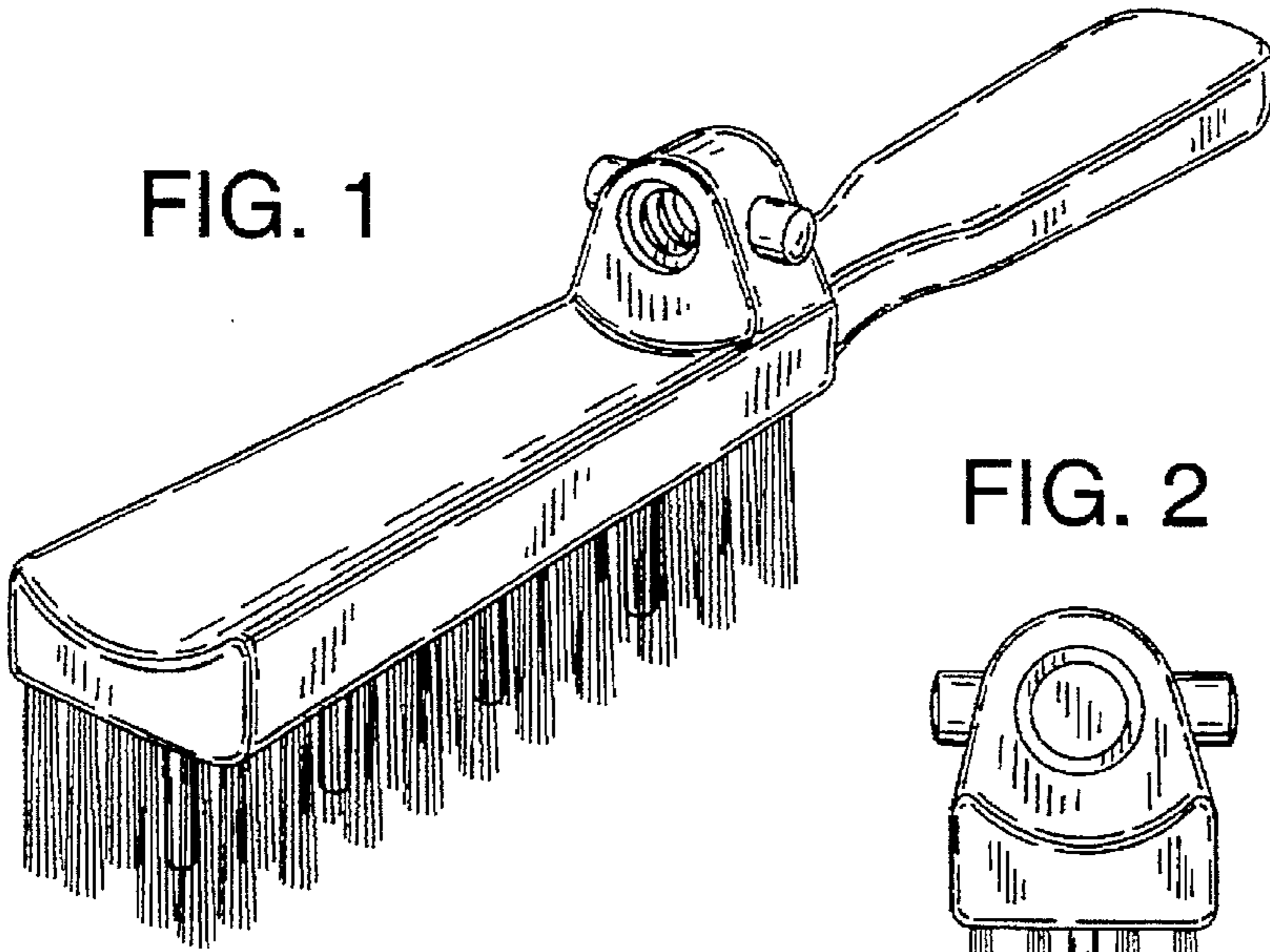


FIG. 1

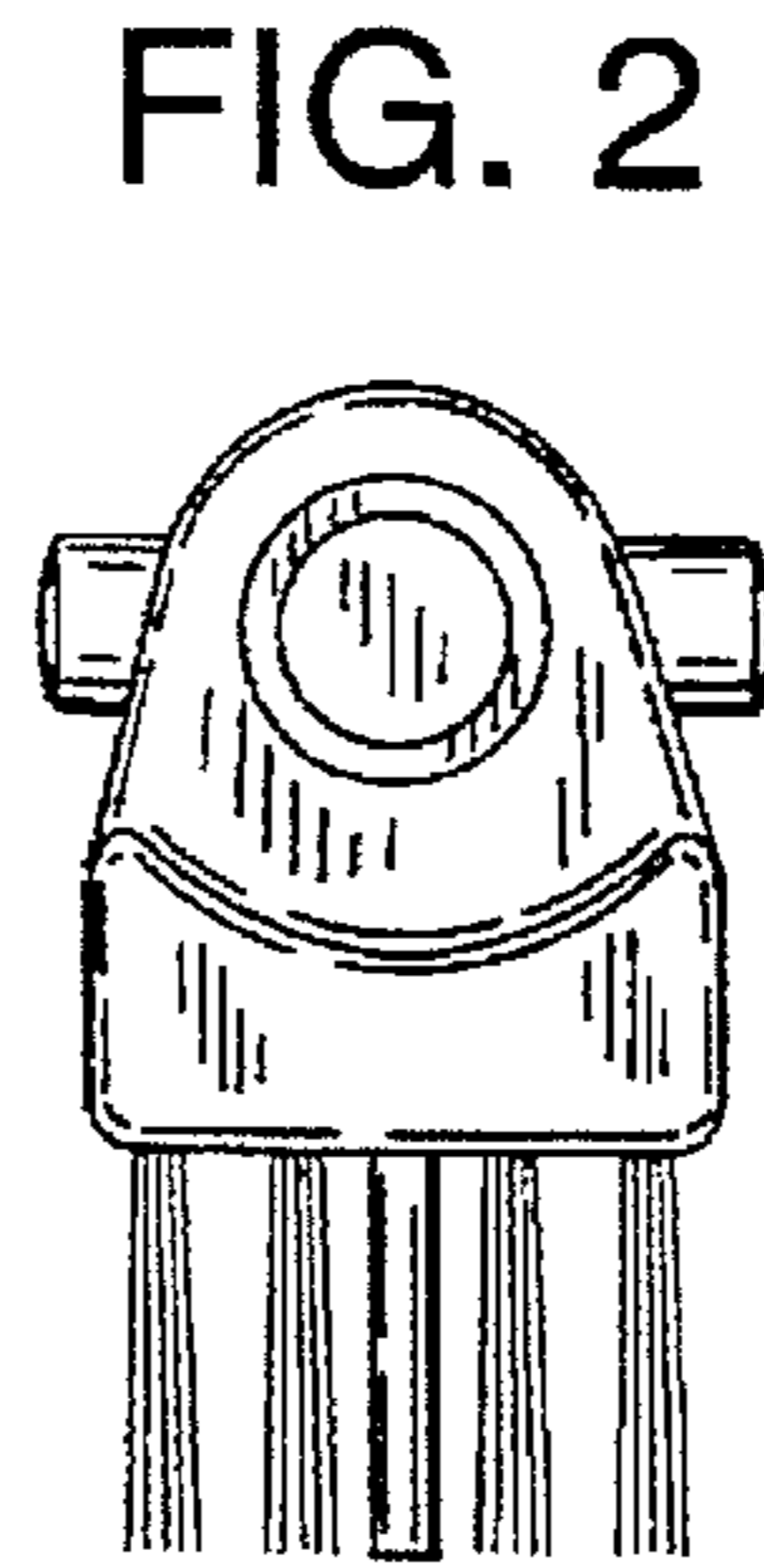


FIG. 2

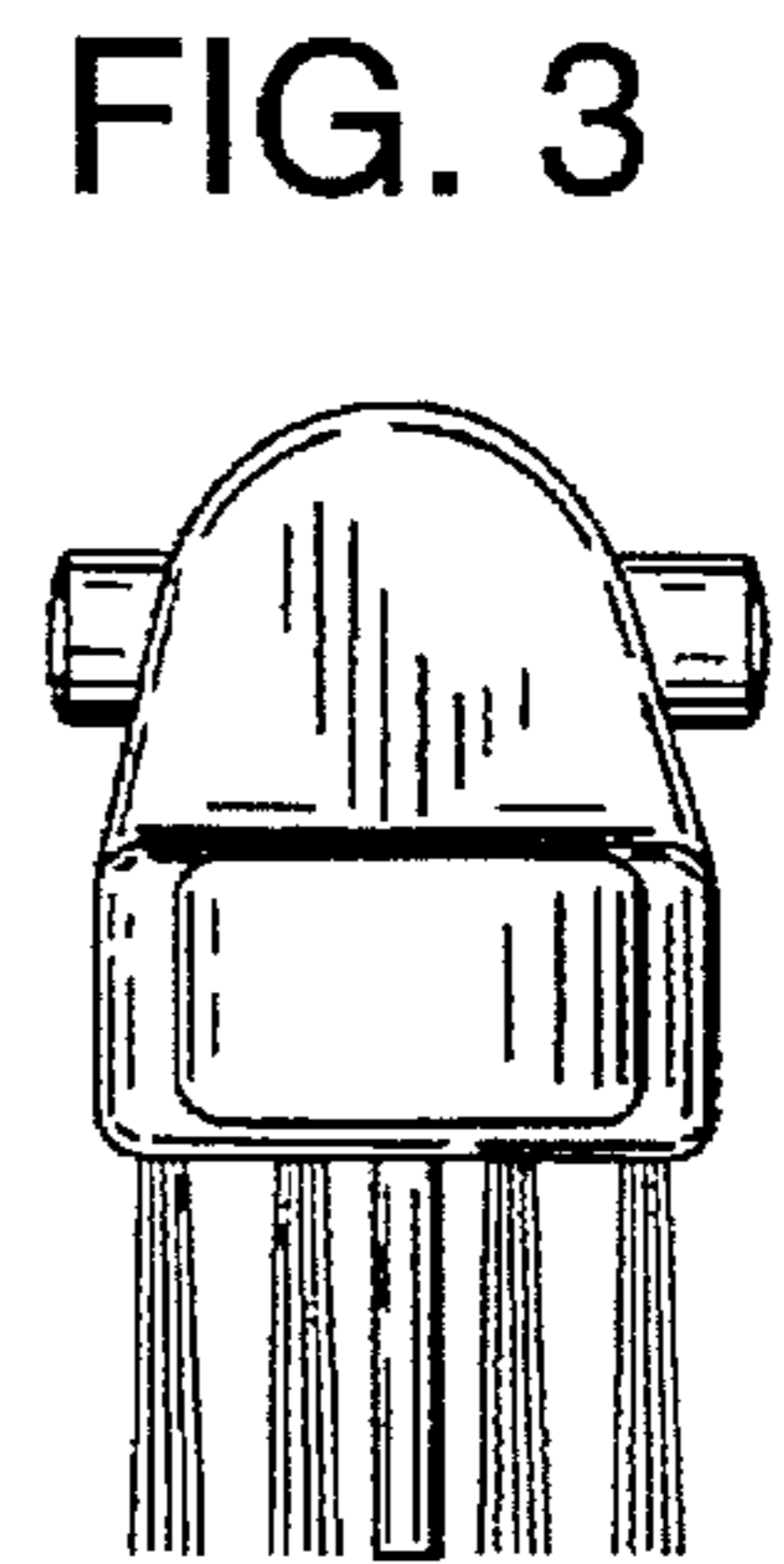


FIG. 3

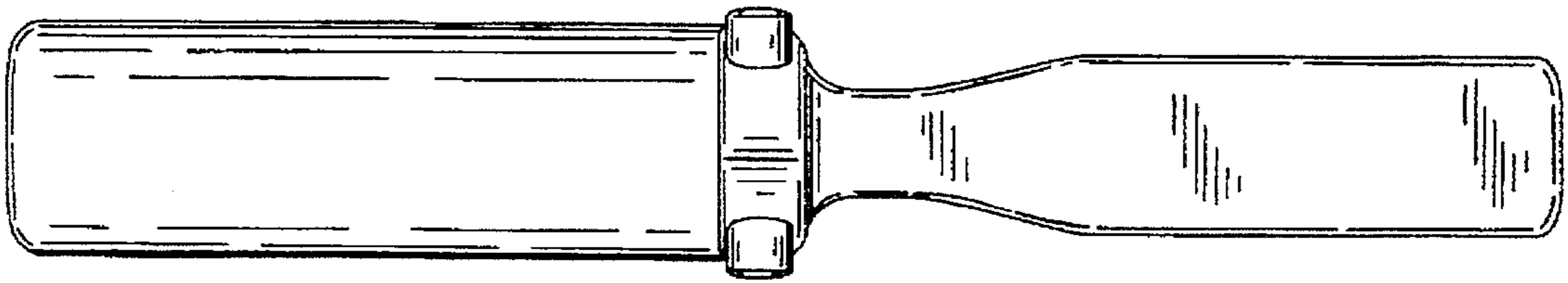


FIG. 4

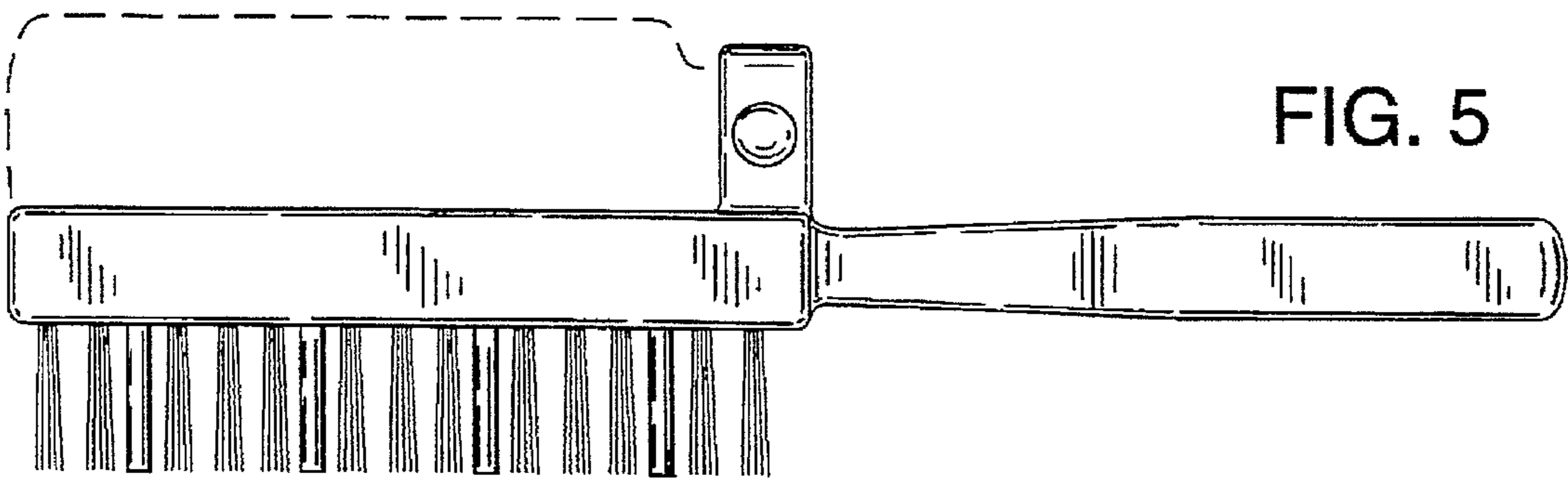


FIG. 5

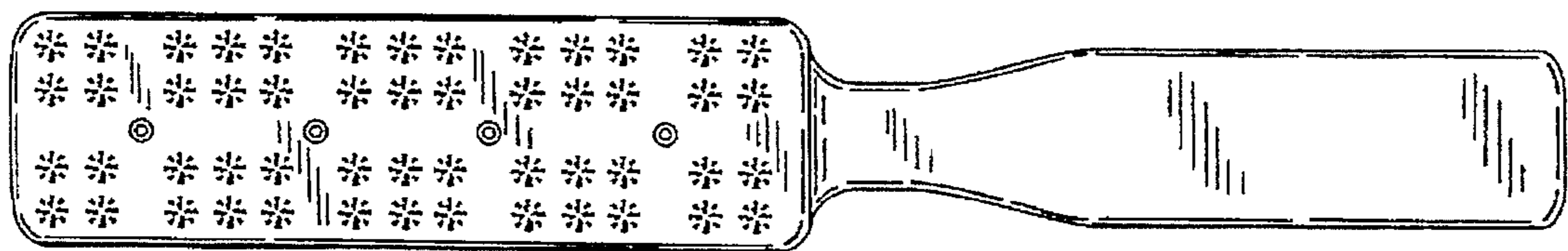


FIG. 6