



US00D380086S

# United States Patent [19] Brassard

[11] Patent Number: Des. 380,086

[45] Date of Patent: \*\*Jun. 24, 1997

[54] ARTICLE HOLDER WITH BELT

[75] Inventor: Paul Brassard, Arcadia, Calif.

[73] Assignee: Arkon Resources Inc., Arcadia, Calif.

[\*\*] Term: 14 Years

[21] Appl. No.: 49,714

[22] Filed: Jan. 29, 1996

[51] LOC (6) Cl. .... 03-99

[52] U.S. Cl. .... D3/215

[58] Field of Search ..... D3/215, 218, 221,  
D3/287, 224, 228; D2/627, 628; 224/224,  
908, 909; 206/316.1, 316.2, 316.3

1,716,689 6/1929 Freemark ..... D2/628 X  
 2,566,569 9/1951 Jensen ..... D3/221 X  
 3,119,117 1/1964 Grubman ..... D2/627 X

Primary Examiner—Paula A. Mortimer  
 Attorney, Agent, or Firm—James E. Brunton

### [57] CLAIM

The ornamental design for an article holder with belt, as shown.

### DESCRIPTION

FIG. 1 is a front perspective view of an article holder with belt showing my new design;  
 FIG. 2 is a top plan view thereof;  
 FIG. 3 is a front elevational view thereof;  
 FIG. 4 is a rear elevational view thereof;  
 FIG. 5 is a right end elevational view thereof;  
 FIG. 6 is a left end elevational view thereof;  
 FIG. 7 is a bottom plan view thereof; and,  
 FIG. 8 is a cross-sectional view taken along lines 8—8 of FIG. 6.

The dashed lines in FIGS. 1, 3, and 4 represent conventional stitching.

### [56] References Cited

#### U.S. PATENT DOCUMENTS

D. 291,942 9/1987 Green ..... D2/628  
 D. 317,228 6/1991 Stufflebeam ..... D3/224  
 D. 318,948 8/1991 Nordstrom ..... D3/287 X  
 D. 334,663 4/1993 Petrillo ..... D3/224 X  
 D. 338,997 9/1993 Gireco ..... D3/215 X  
 D. 366,555 1/1996 Daniels ..... D2/627

1 Claim, 3 Drawing Sheets

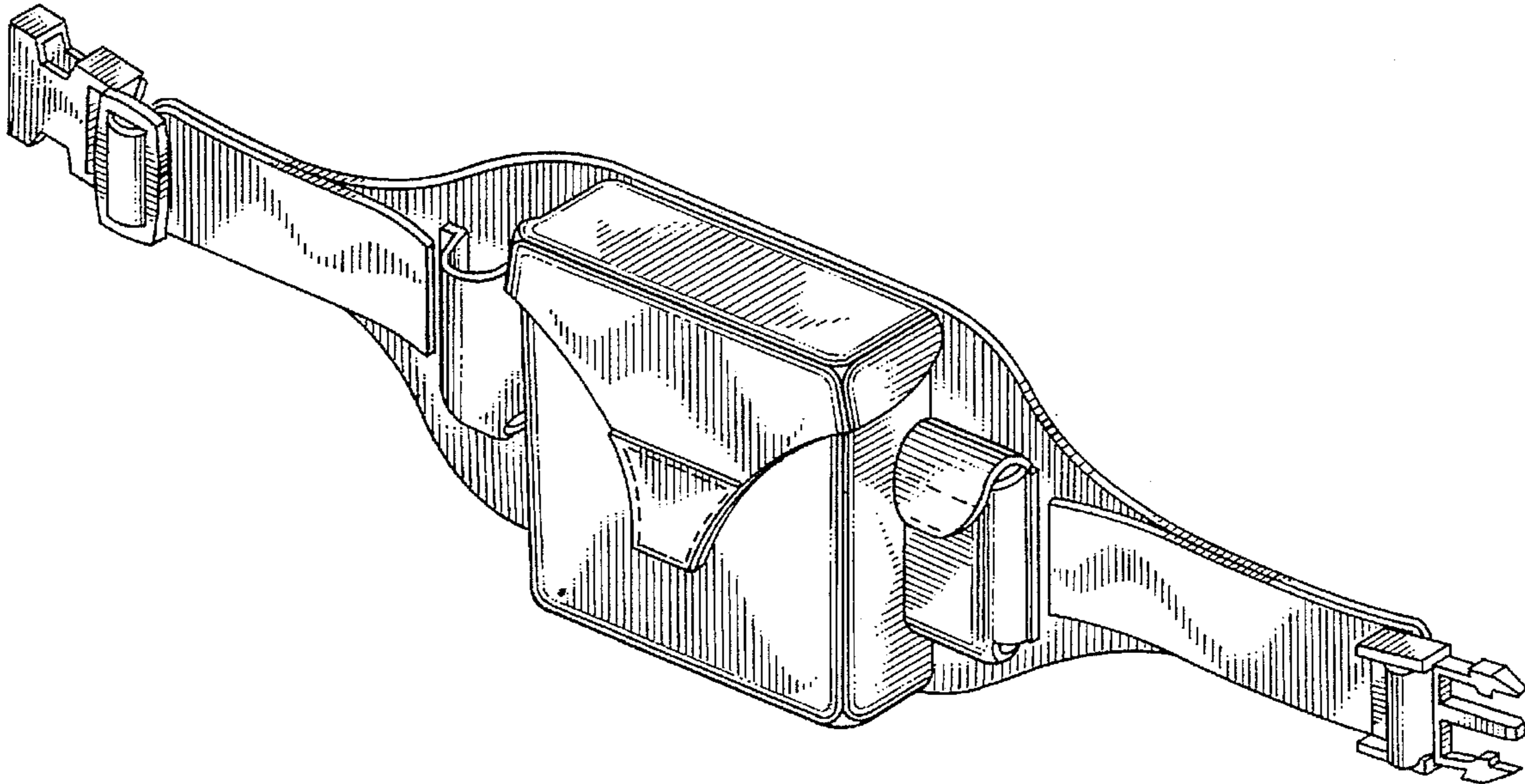


FIG. 1

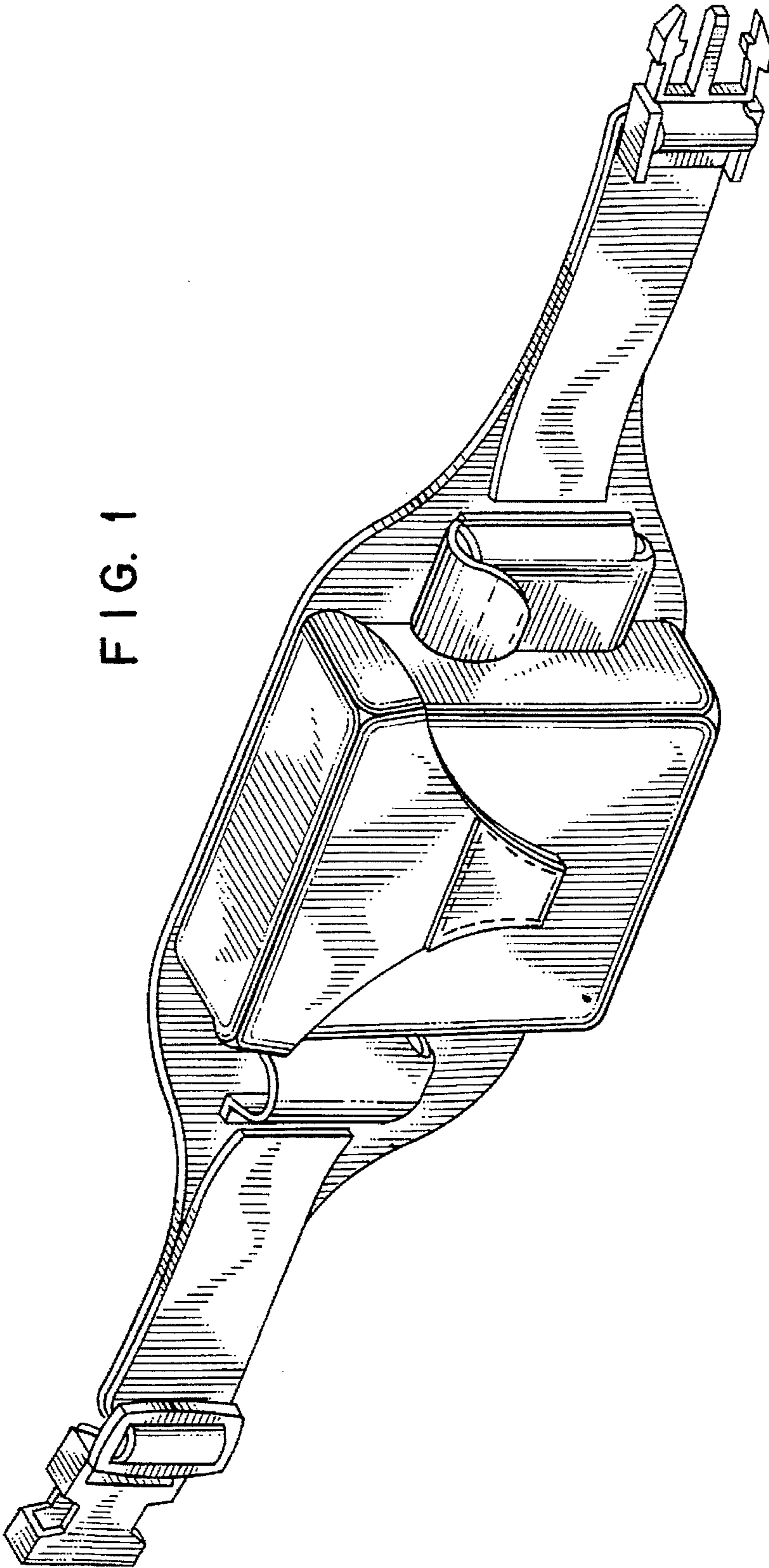
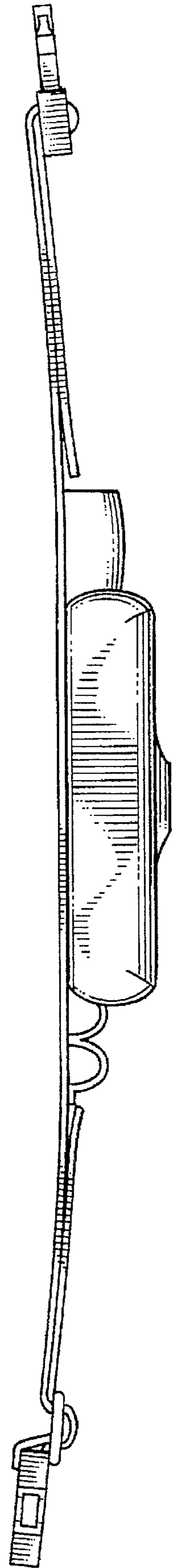
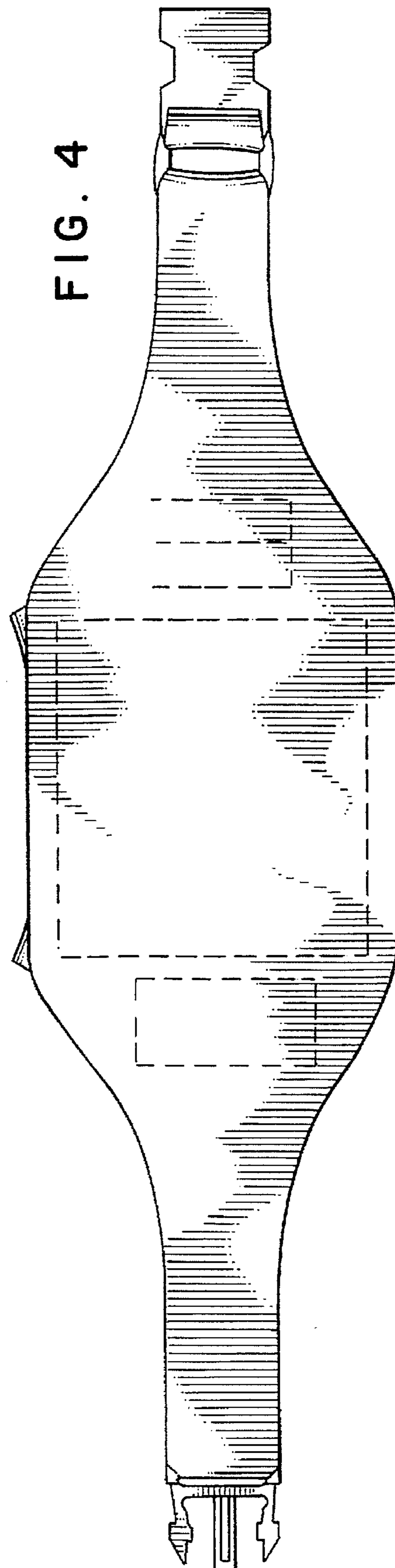
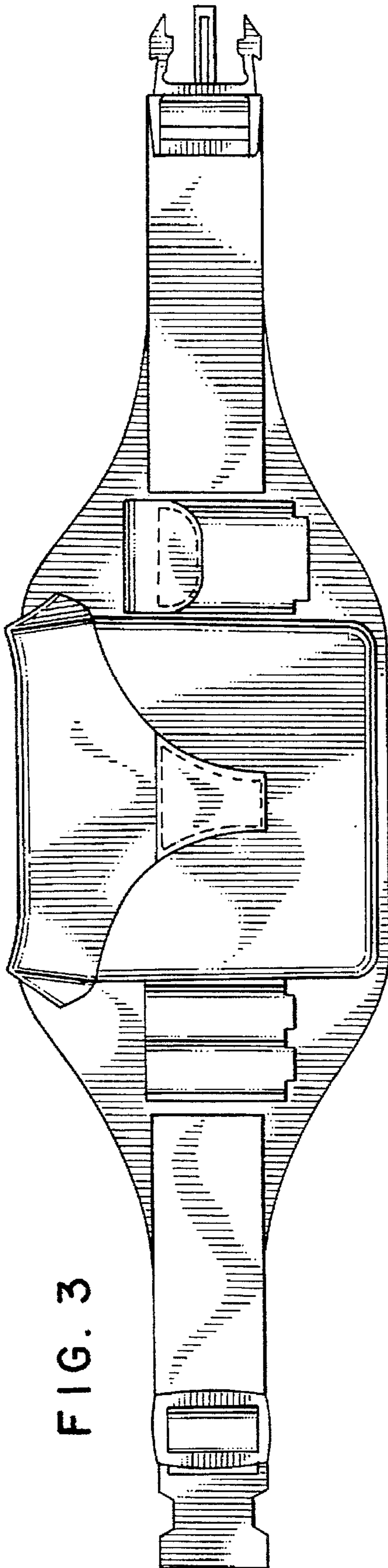


FIG. 2





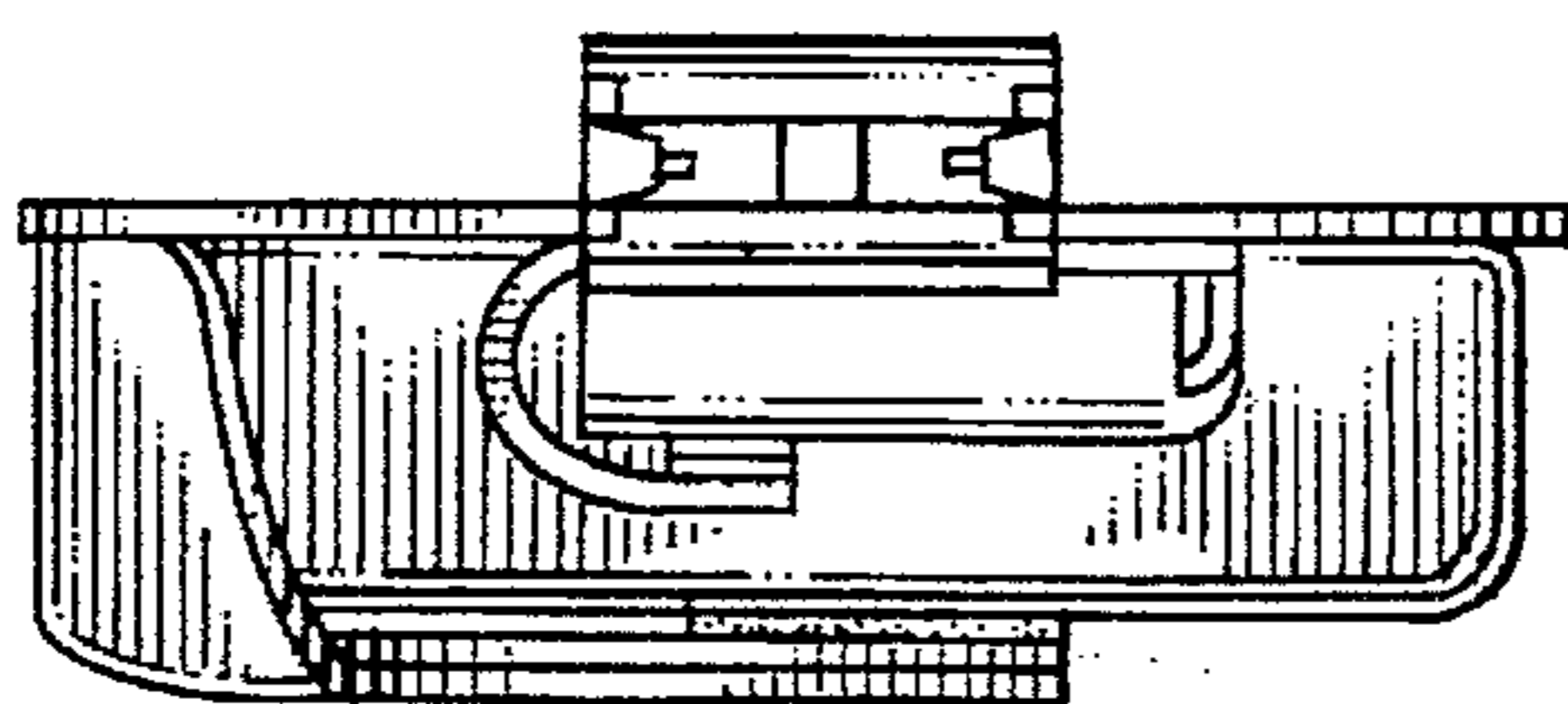


FIG. 5

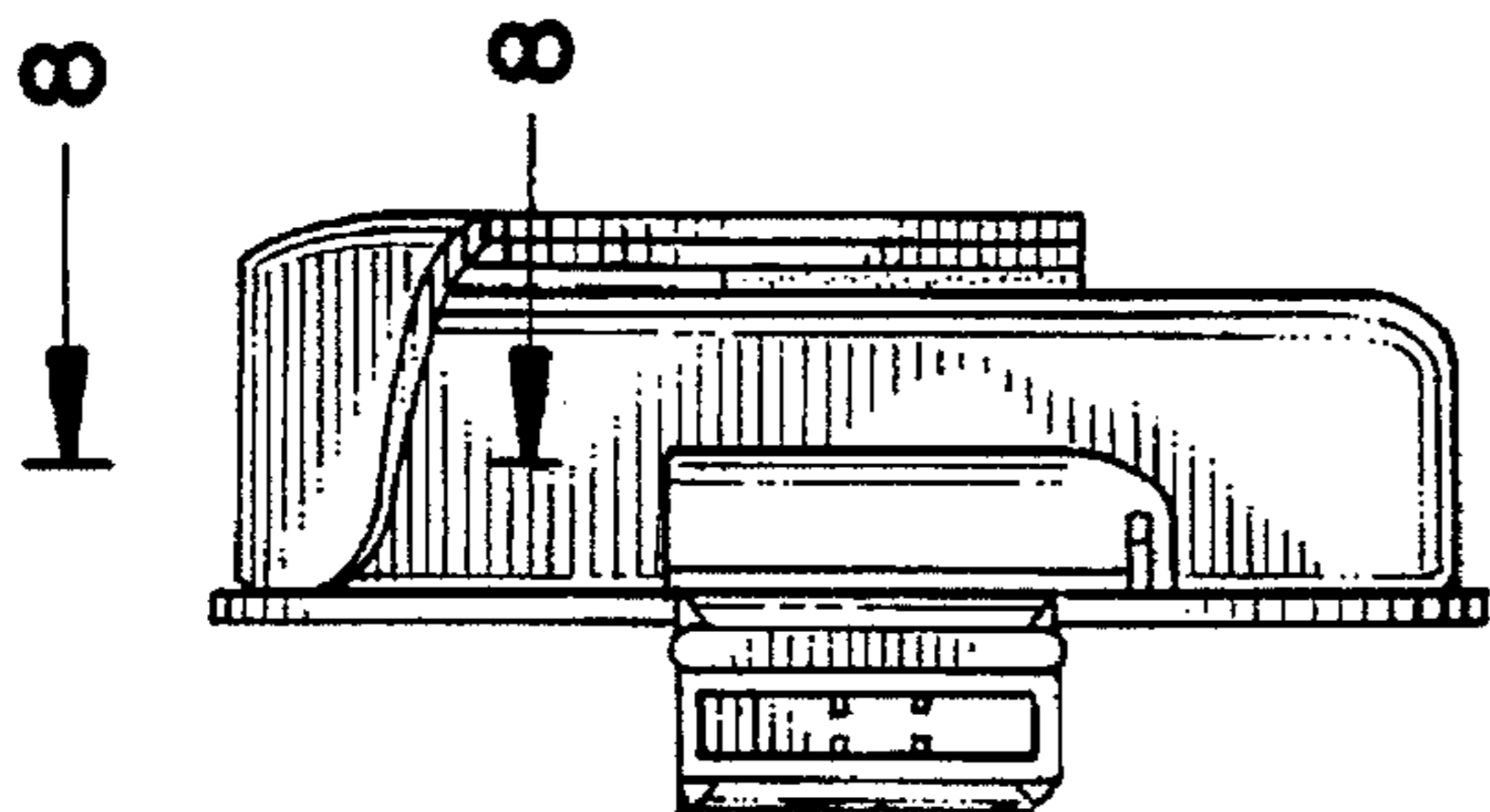


FIG. 6

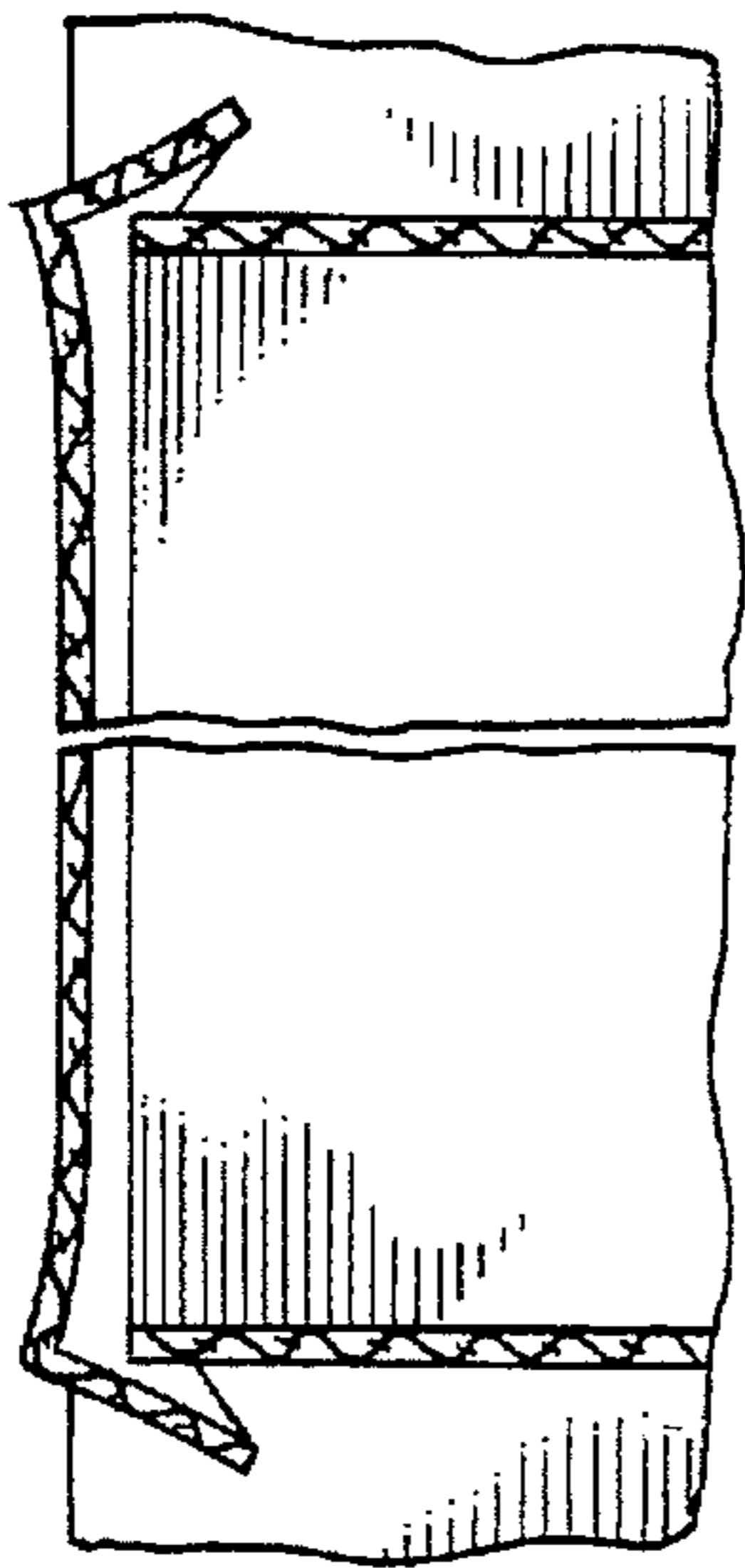


FIG. 8

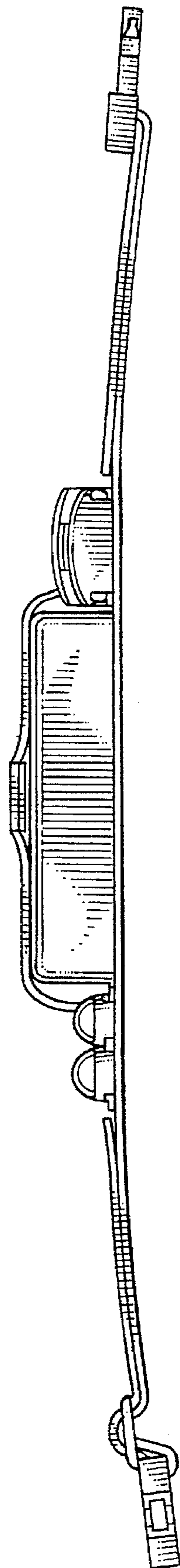


FIG. 7