



US00D380069S

# United States Patent [19] McCracken

[11] Patent Number: Des. 380,069  
[45] Date of Patent: \*\*Jun. 17, 1997

[54] **DETAILING POLISHER**

[75] Inventor: **Robert E. McCracken**, Tucson, Ariz.

[73] Assignee: **Waxing Corporation of America, Inc.**,  
Elmhurst, Ill.

[\*\*] Term: **14 Years**

[21] Appl. No.: **45,507**

[22] Filed: **Oct. 23, 1995**

[51] LOC (6) Cl. .... **15-09**

[52] U.S. Cl. .... **D32/19; D8/61**

[58] Field of Search ..... **D8/61, 67; D32/15,**  
**D32/19; 15/97.1, 97.2, 97.3, 98-103, 103.5;**  
**451/357, 358, 359**

[56] **References Cited**

**U.S. PATENT DOCUMENTS**

D. 111,005	8/1938	Sperry .	
D. 140,197	1/1945	Runstrom .....	D54/14
D. 301,496	6/1989	Yonesawa et al. ....	D8/68
D. 325,857	5/1992	Hasegawa et al. ....	D8/61
2,135,861	11/1938	Thompson .....	96/33
3,379,906	4/1968	Spohr .....	310/50
3,394,277	7/1968	Satkunas et al. ....	310/80
3,489,936	1/1970	Boyles .....	310/47
3,524,088	8/1970	Ryckman .....	310/50
3,530,319	9/1970	Larkin .....	310/50
3,546,501	12/1970	Kircher .....	310/50
3,562,566	2/1971	Kircher .....	310/80
3,633,931	1/1972	Bilz .....	279/75
3,658,351	4/1972	Benjamin et al. ....	271/1 B
3,661,018	5/1972	Keefer et al. ....	74/22 R
3,674,281	7/1972	Hedrick .....	279/30
3,684,302	8/1972	Herman .....	279/75
3,699,825	10/1972	Misuraca .....	74/527
3,699,952	10/1972	Waters et al. ....	128/24.2
3,735,993	5/1973	Seibert .....	279/1 B
3,788,658	1/1974	Benjamin et al. ....	279/75
3,929,343	12/1975	Wanner et al. ....	279/1 B
3,940,580	2/1976	Williams et al. ....	200/61.85
4,071,722	1/1978	Hart .....	200/50 A
4,355,977	10/1982	Ota et al. ....	433/131

4,397,055	8/1983	Cuchiara .....	15/22 R
4,603,448	8/1986	Middleton et al. ....	15/22 R
4,629,375	12/1986	Lieser .....	408/239 R
4,692,073	9/1987	Martindell .....	408/239 A
4,703,536	11/1987	Livneh .....	15/97.1
4,710,995	12/1987	Joyashiki et al. ....	15/22 R
4,742,190	5/1988	Jacquet .....	200/50 A
4,756,202	7/1988	Kawamoto .....	74/23
4,772,765	9/1988	Markle et al. ....	200/1 V
4,849,587	7/1989	Bacon .....	200/61.85
4,900,202	2/1990	Wienhold .....	408/240
5,013,194	5/1991	Wienhold .....	408/240
5,019,676	5/1991	Heckenkamp .....	200/50 A
5,069,082	12/1991	Seng et al. ....	74/523
5,187,827	2/1993	Wei .....	15/97.1 X
5,188,378	2/1993	Erienkeuser .....	279/22
5,191,968	3/1993	McCurry .....	200/43.11
5,310,259	5/1994	Wanat .....	366/349
5,398,946	3/1995	Quiring .....	279/30
5,423,102	6/1995	Madison .....	15/22.2
5,466,183	11/1995	Kim et al. ....	459/359

*Primary Examiner*—Antoine Duval Davis  
*Attorney, Agent, or Firm*—Fitch, Even, Tabin & Flannery

[57] **CLAIM**

The ornamental design for a detailing polisher, as shown and described.

**DESCRIPTION**

FIG. 1 is a perspective view of the detailing polisher according to my new design;  
FIG. 2 is a right side elevational view of the detailing polisher of FIG. 1;  
FIG. 3 is a bottom plan view of the detailing polisher of FIG. 1;  
FIG. 4 is a left side elevational view of the detailing polisher of FIG. 1;  
FIG. 5 is a top plan view of the detailing polisher of FIG. 1;  
FIG. 6 is a rear elevational view of the detailing polisher of FIG. 1; and,  
FIG. 7 is a front elevational view of the detailing polisher of FIG. 1.

**1 Claim, 4 Drawing Sheets**

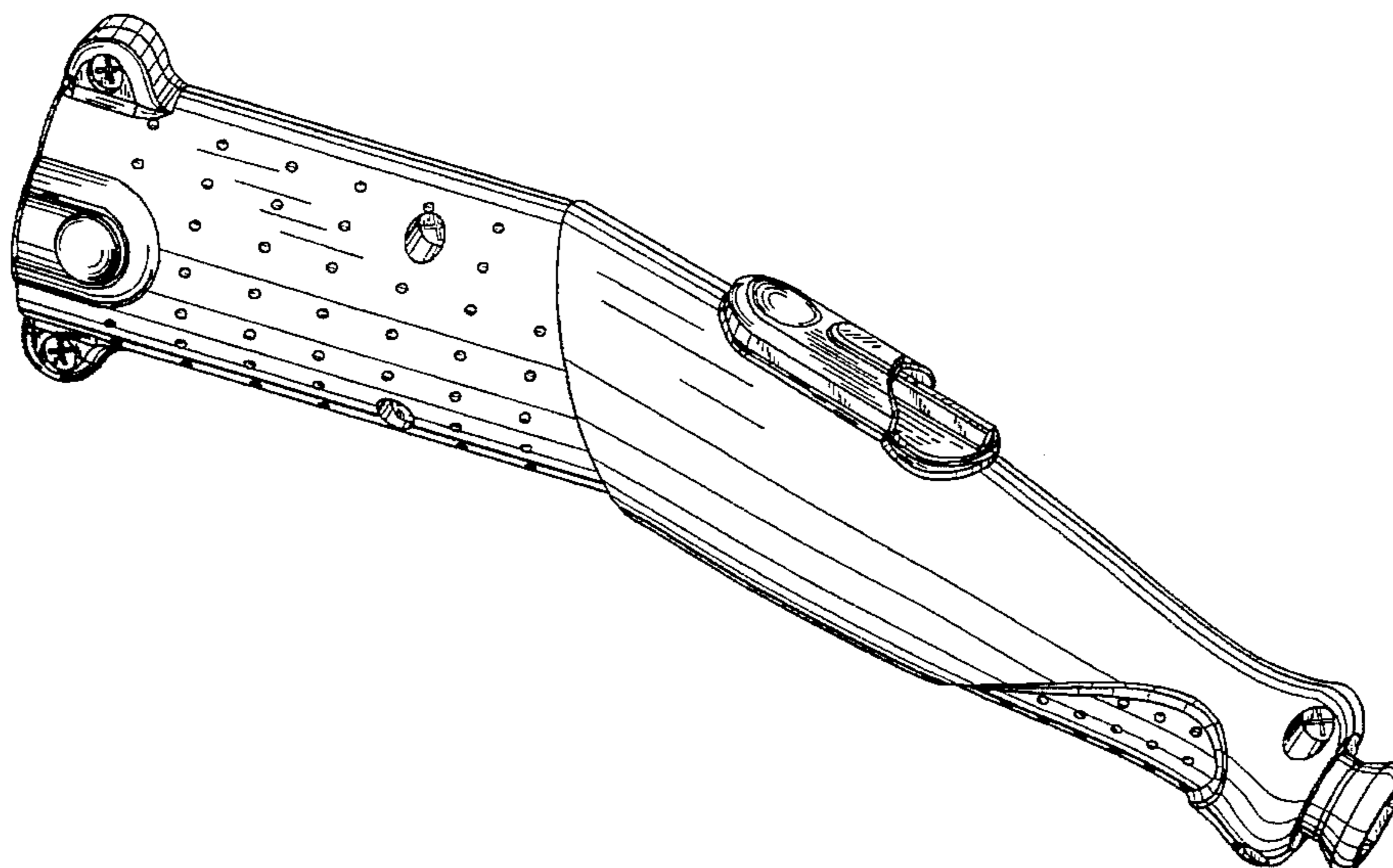


Fig. 1

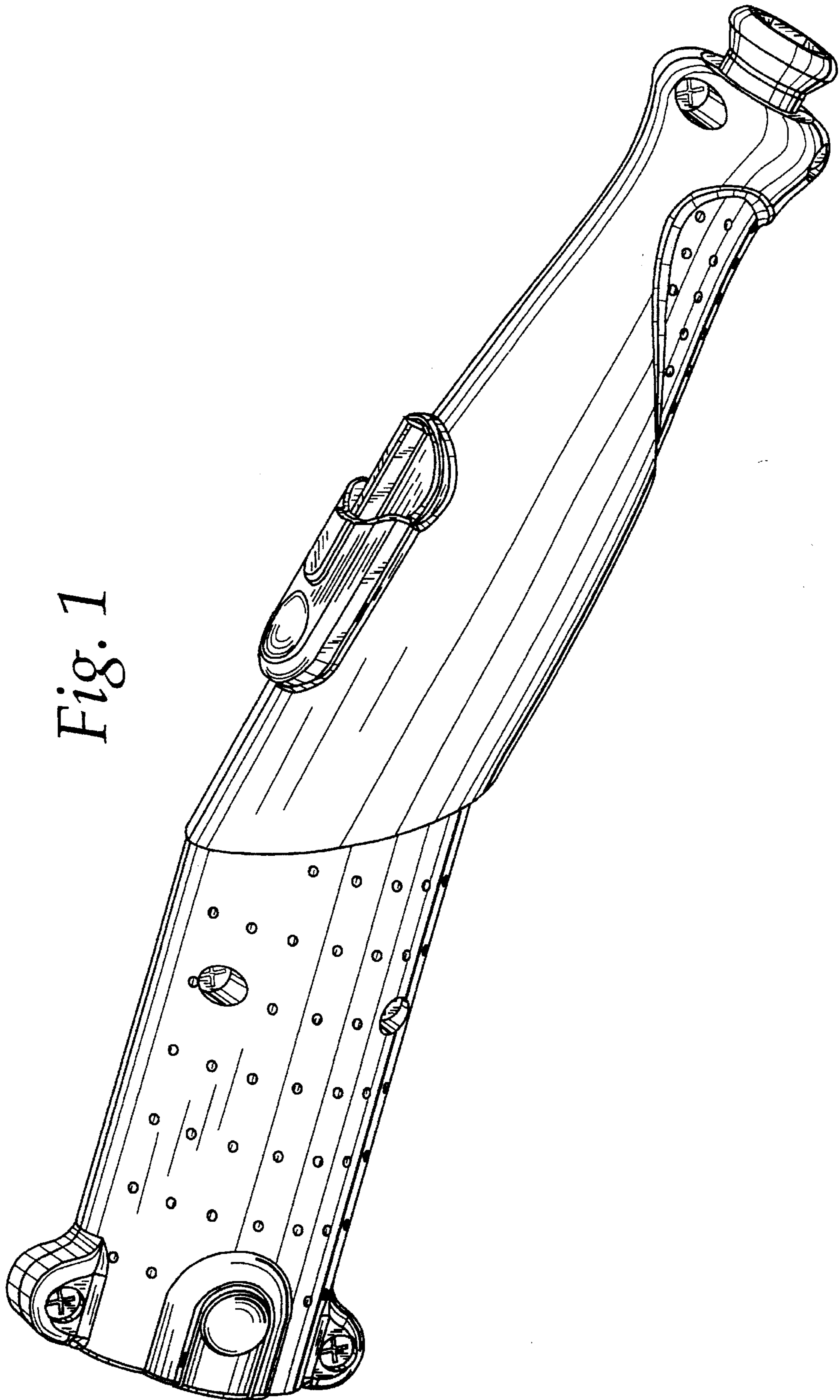


Fig. 2

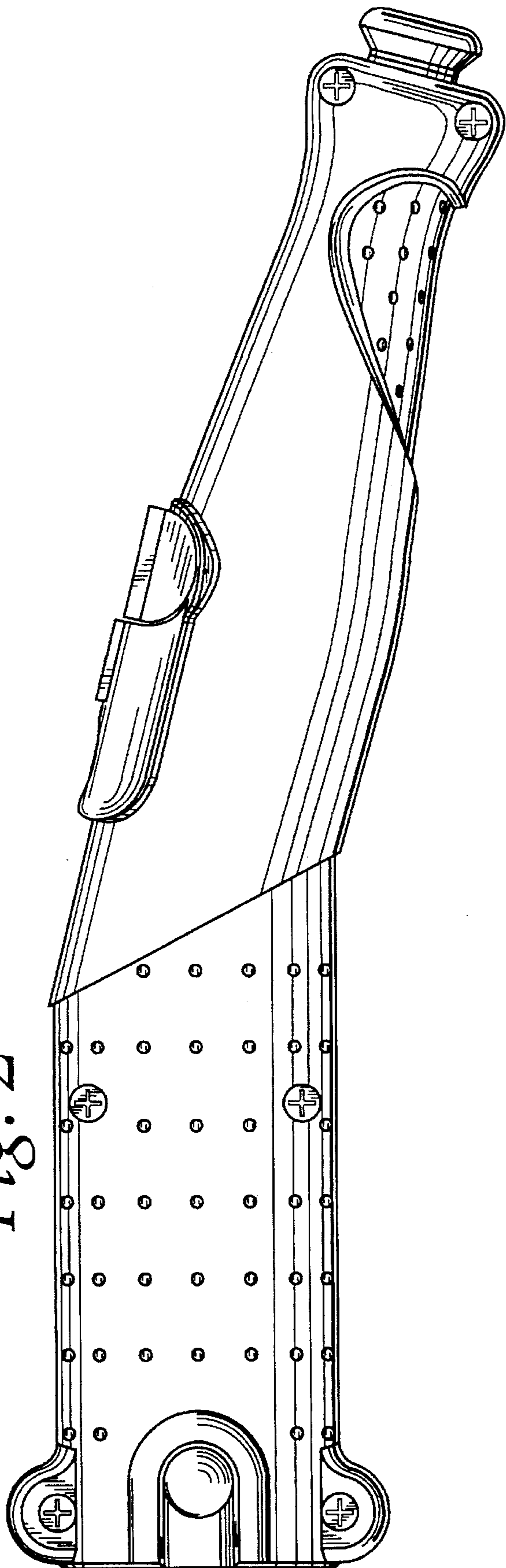
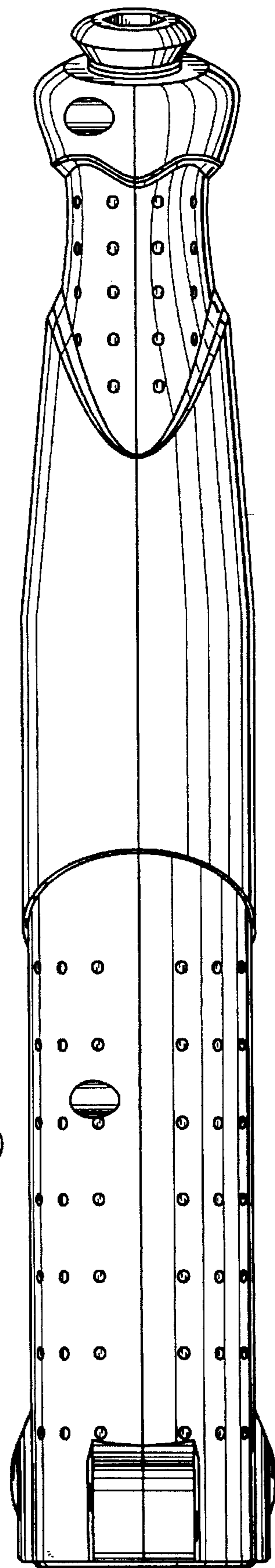


Fig. 3



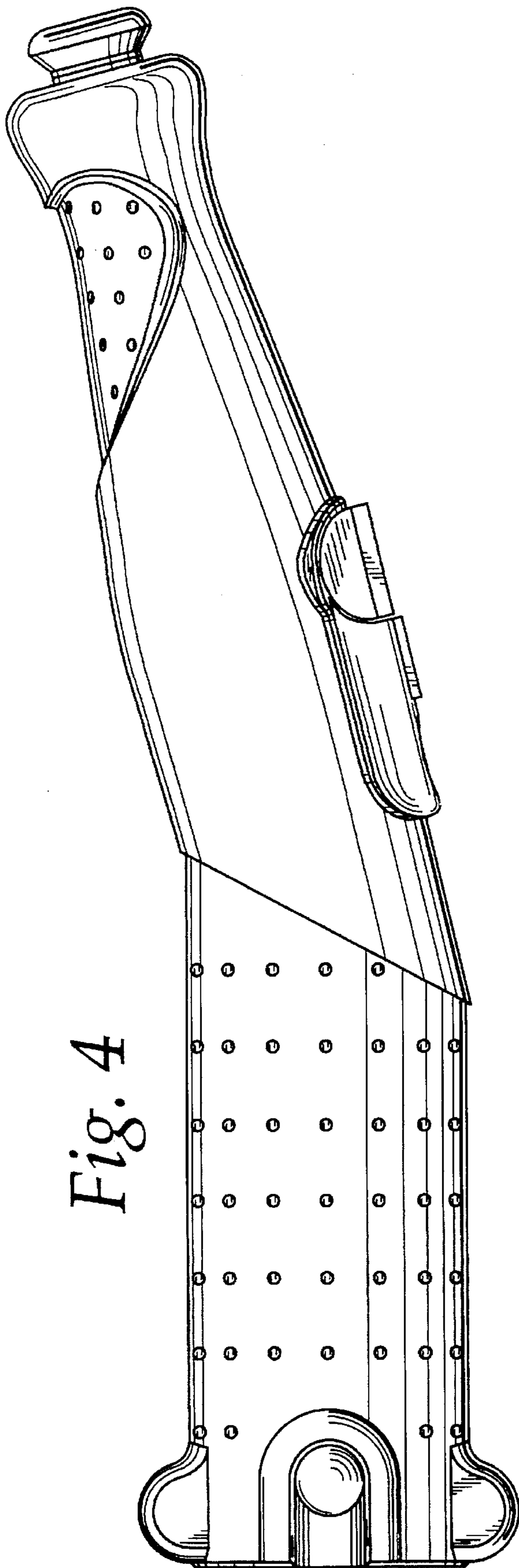


Fig. 4

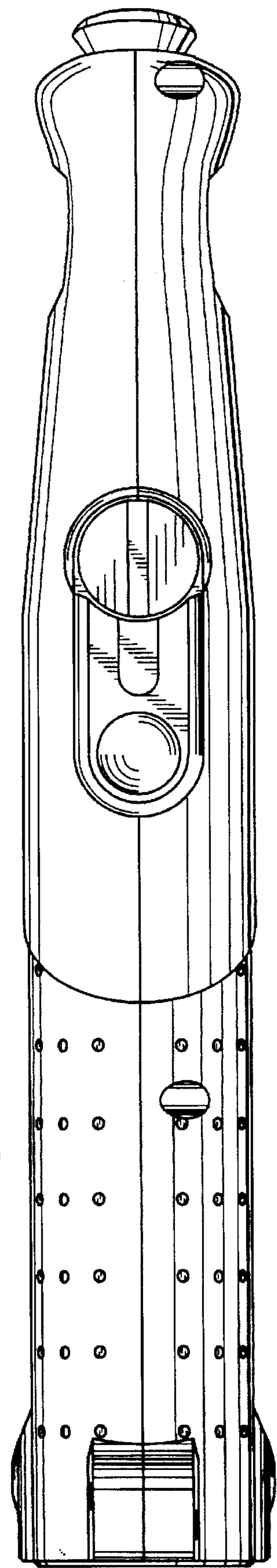


Fig. 5

Fig. 7

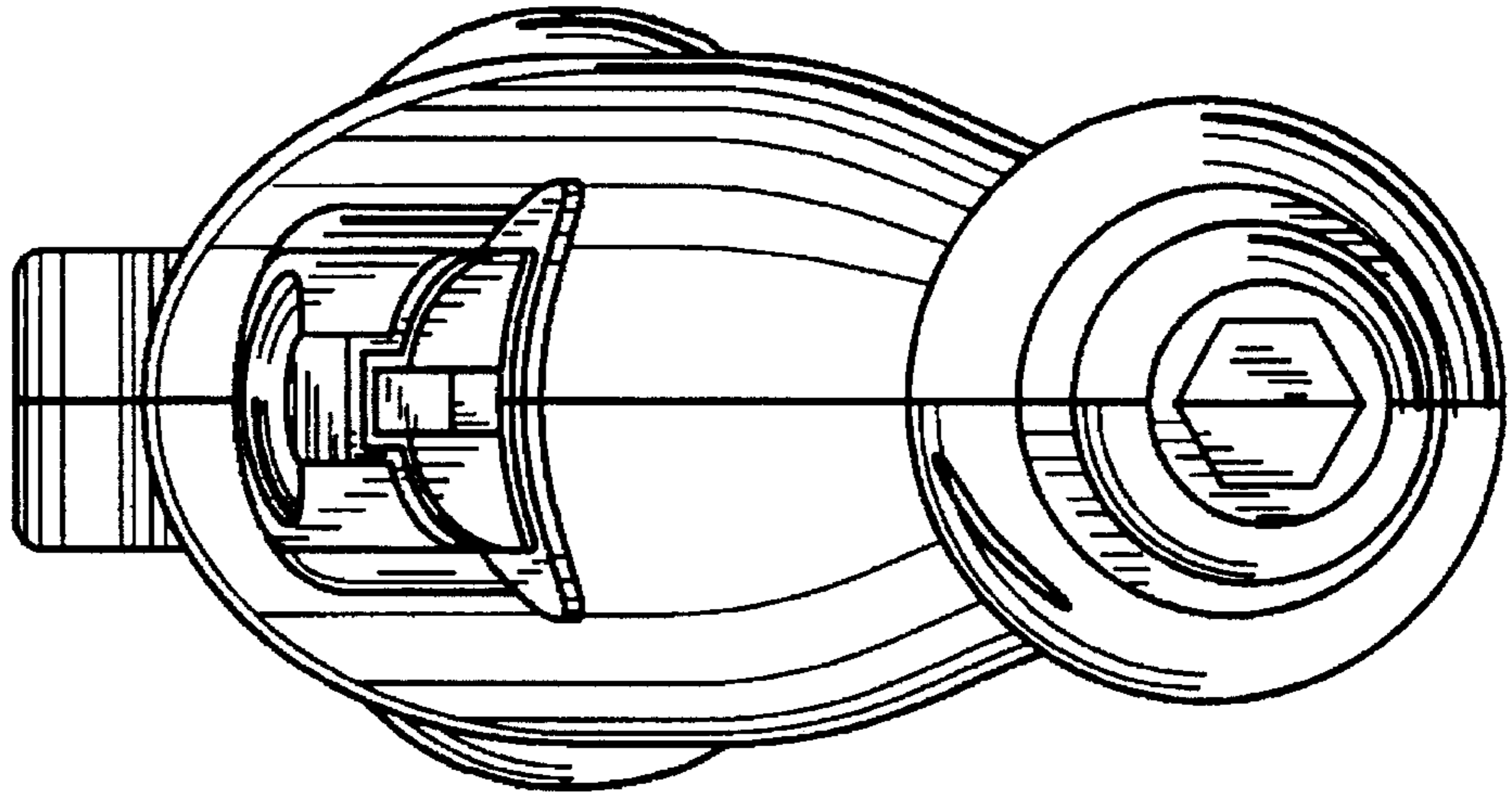


Fig. 6

