



US00D380063S

United States Patent [19] Digianni

[11] Patent Number: **Des. 380,063**

[45] Date of Patent: ****Jun. 17, 1997**

[54] CONTAINER FOR SMOKING ARTICLE
PACKS

951,592 3/1910 Chatellier 206/256 X
1,485,221 2/1924 Gee 262/263
1,926,839 9/1933 Denels D27/189 X

[75] Inventor: **John Anthony Digianni**, New York,
N.Y.

Primary Examiner—Susan J. Lucas
Assistant Examiner—Jennifer A. Register
Attorney, Agent, or Firm—Kane, Dalsimer, Sullivan,
Kurucz, Levy, Eisele and Richard

[73] Assignee: **British-American Tobacco Company
Limited**, Middlesex, England

[**] Term: **14 Years**

[57] CLAIM

[21] Appl. No.: **53,223**

The ornamental design for a container for smoking article packs, as shown and described.

[22] Filed: **Apr. 17, 1996**

DESCRIPTION

[30] Foreign Application Priority Data

Dec. 1, 1995 [GB] United Kingdom 2052402

[51] LOC (6) Cl. **27-06**

[52] U.S. Cl. **D27/189**

[58] Field of Search D27/189, 186,
D27/172, 183, 191, 185, 175, 184; D3/247,
251, 294, 901, 295; 206/256, 242, 251,
259, 261, 264, 265, 263; 262/263

FIG. 1 is a front perspective view from above and one side of the container for smoking article packs showing our new design;

FIG. 2 is a front view of the container for smoking article packs shown in FIG. 1;

FIG. 3 is a bottom view showing the bottom of the container for smoking article packs of FIG. 1, which is not seen in FIG. 1;

FIG. 4 is a side view of the container for smoking article packs shown in FIG. 1 with the opposite side being a mirror image;

FIG. 5 is a view-in-perspective of the container for smoking article packs of FIG. 1, shown from above and one side of the box, shown in an open position.

FIG. 6 is a cross-sectional view along lines 6—6 of FIG. 1; and,

FIG. 7 is a cross-sectional view along lines 7—7 of FIG. 1.

[56] References Cited

U.S. PATENT DOCUMENTS

D. 54,979 4/1920 Blackmarr D27/184
D. 142,705 10/1945 Dawer D27/189
D. 144,278 3/1946 Wohl D27/189
D. 159,568 8/1950 Wolfenden D27/175
D. 255,038 5/1980 Itakura D27/189 X
D. 283,950 5/1986 Markowitz D3/247
D. 352,601 11/1994 Dallaire D3/901 X

1 Claim, 4 Drawing Sheets

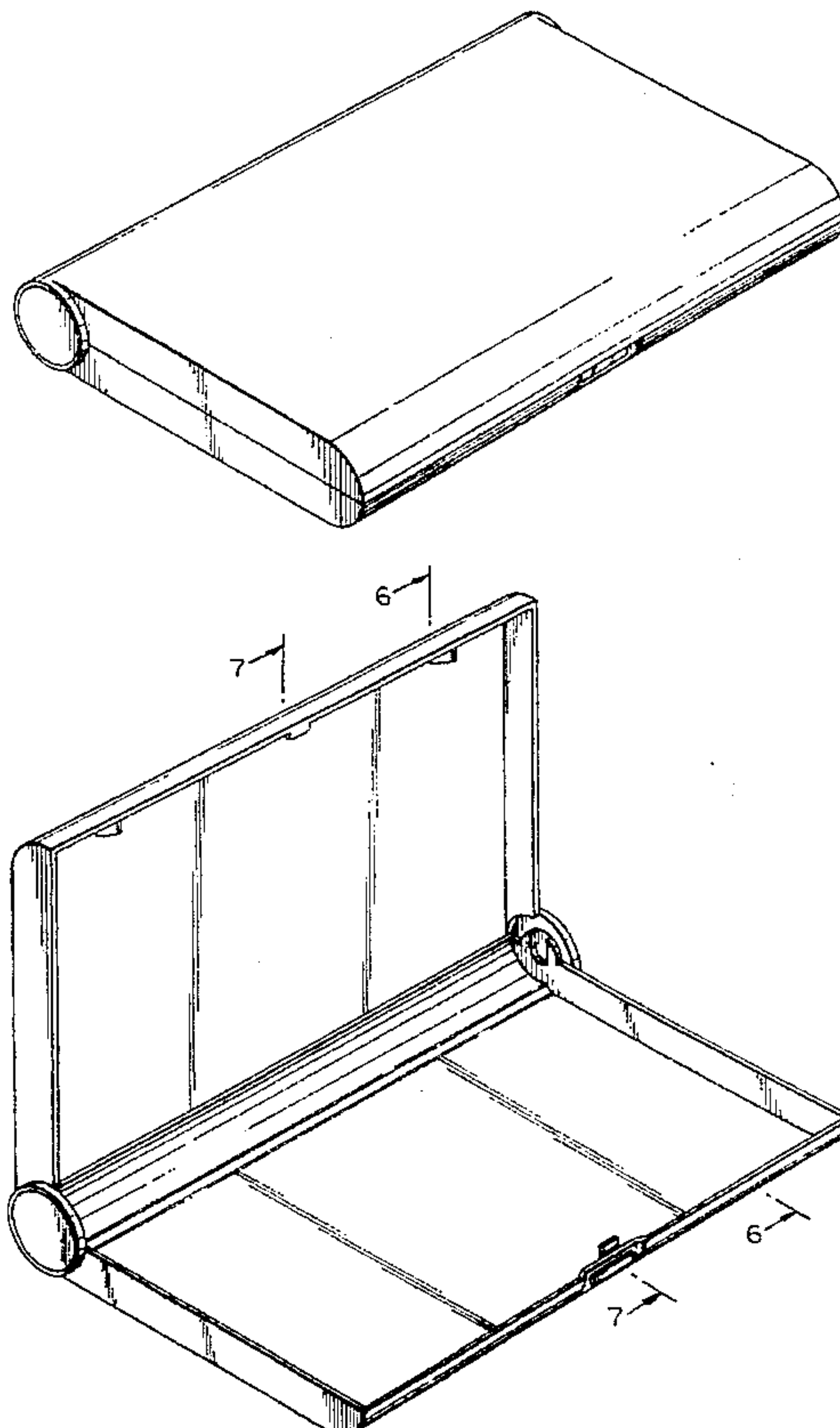


Fig.1.

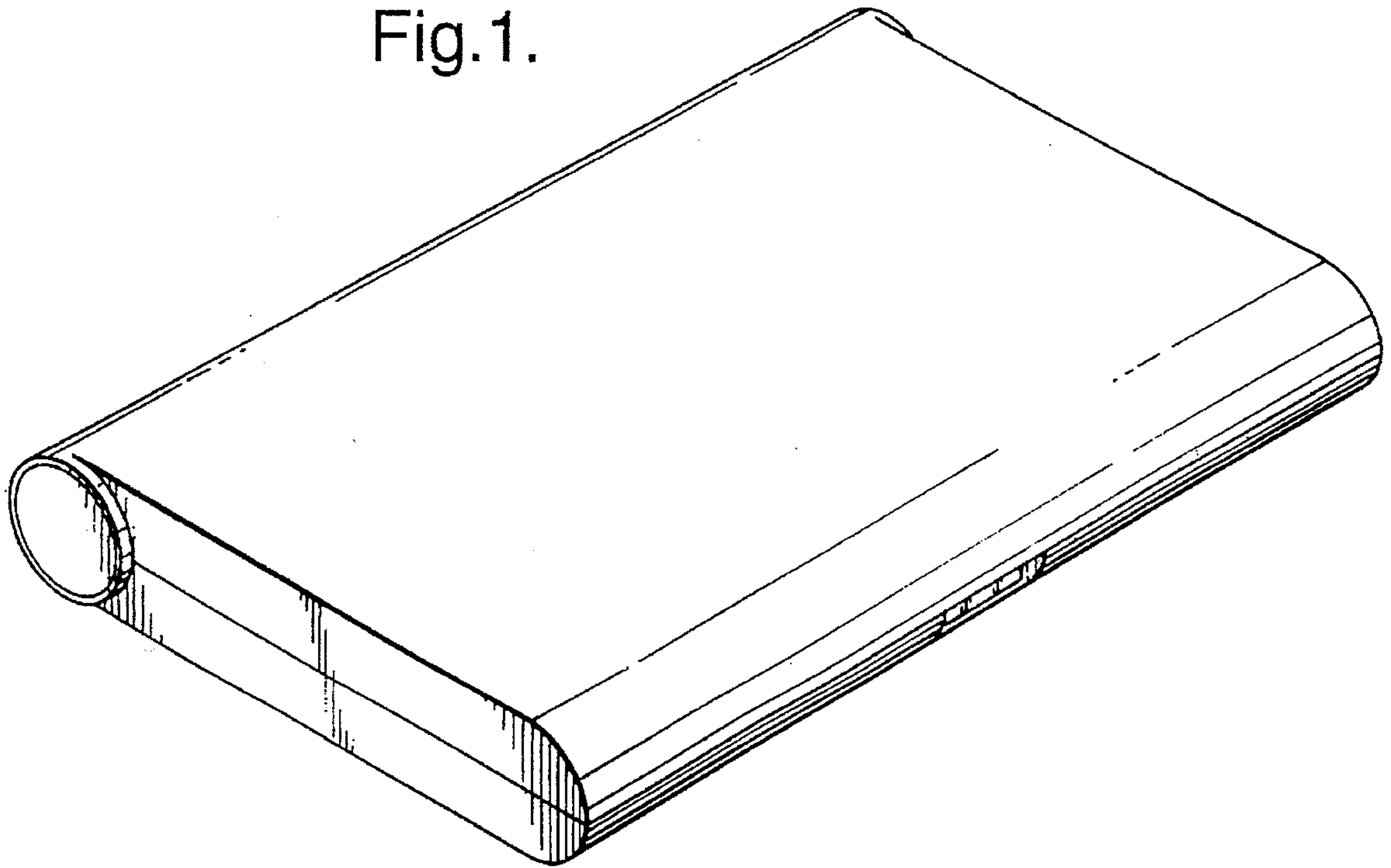


Fig.2.

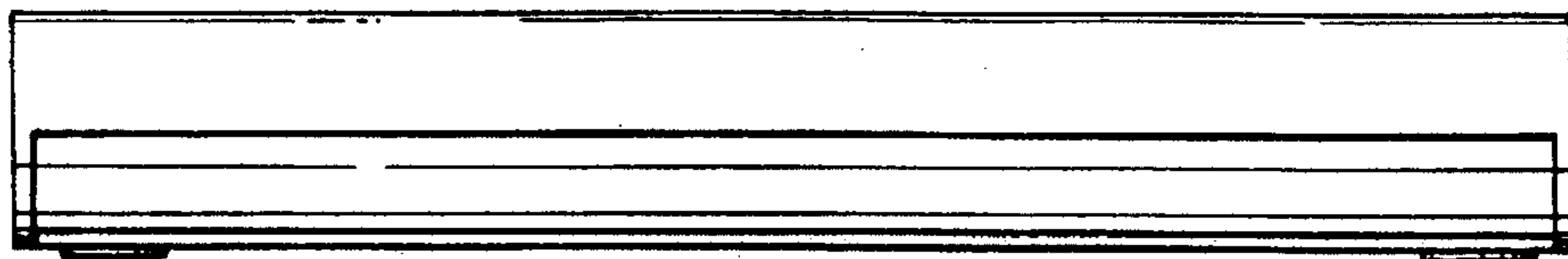


Fig.3.

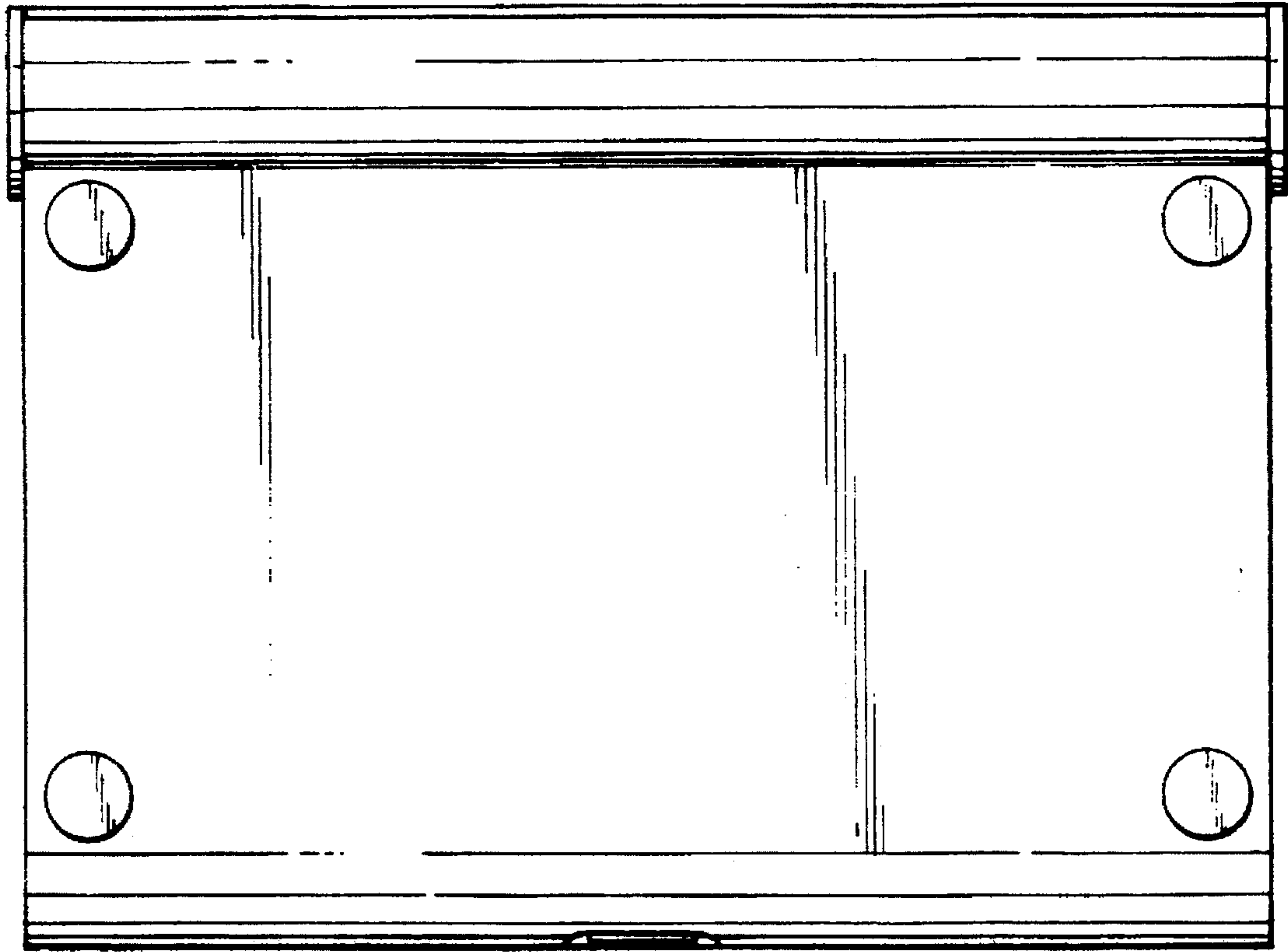


Fig.4.

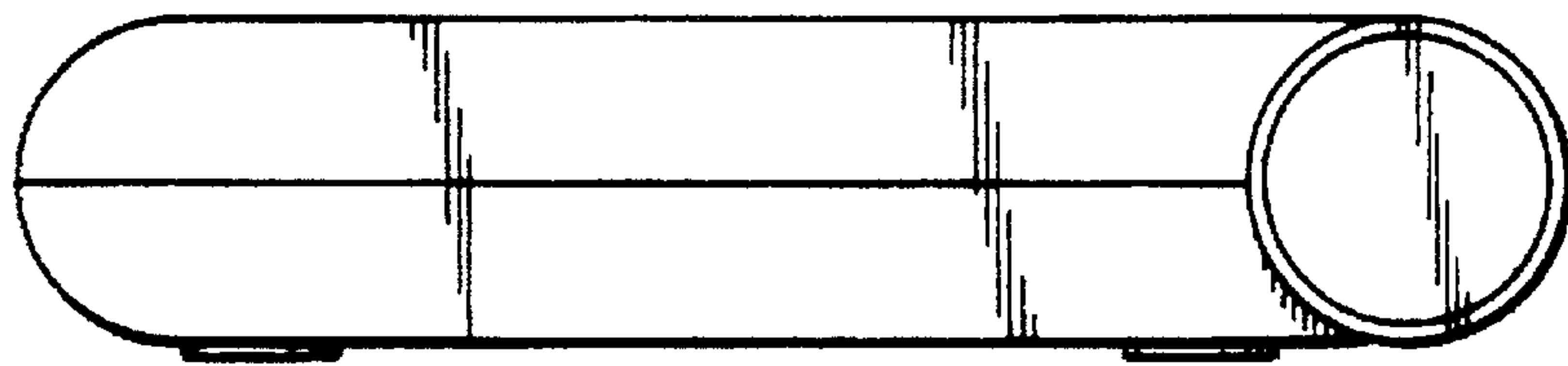


Fig.5.

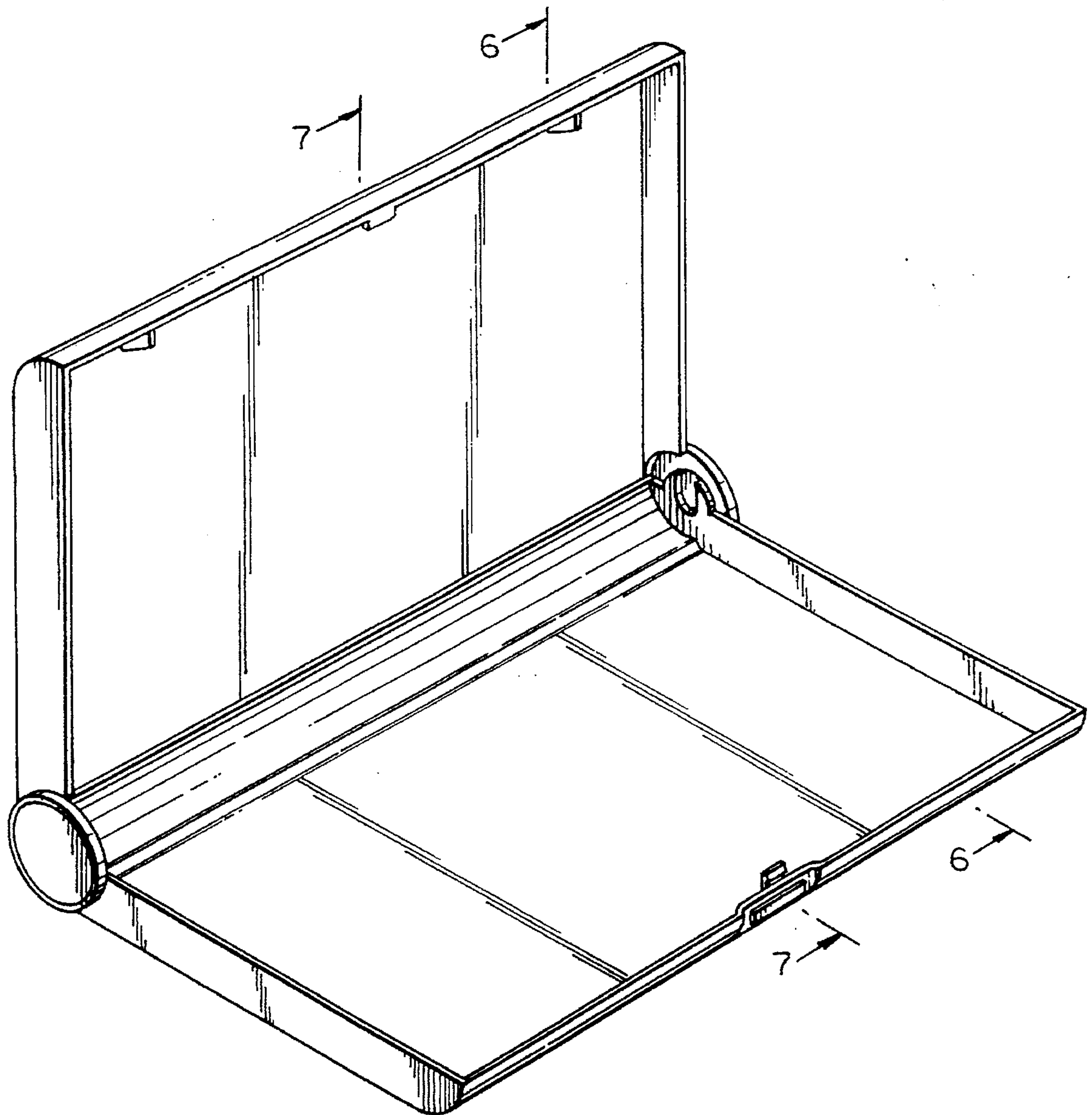


Fig.6.

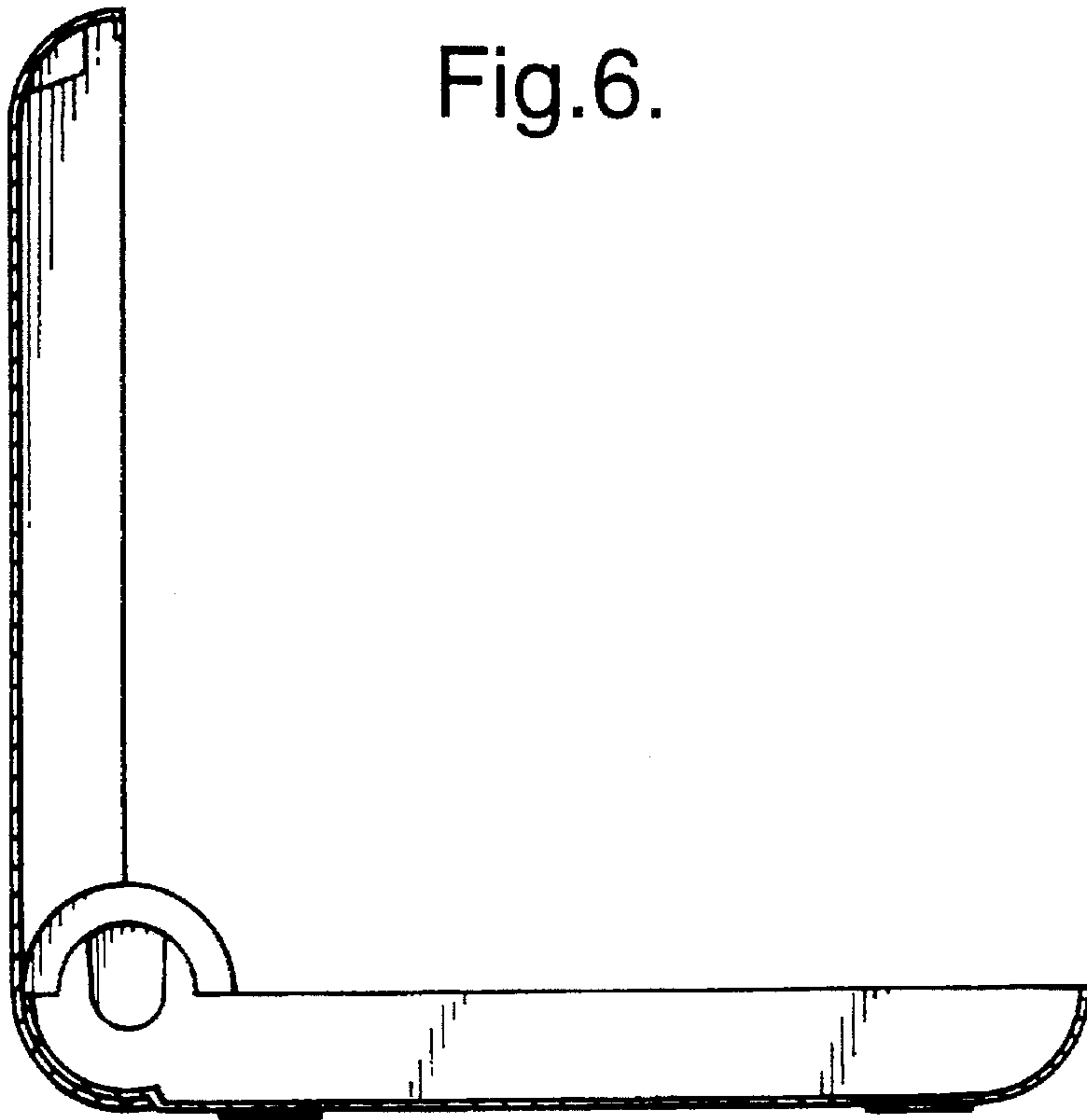


Fig.7.

