



US00D380062S

United States Patent [19]

[11] Patent Number: **Des. 380,062**

Hsu

[45] Date of Patent: ****Jun. 17, 1997**

[54] **DECORATIVE LIGHTING DEVICE**

[76] Inventor: **Fu-Hsien Hsu**, 4th Fl., No. 37, Lane 77, Sec. 2, Chung Shian N. Rd., Taipei, Taiwan

[**] Term: **14 Years**

[21] Appl. No.: **38,266**

[22] Filed: **May 2, 1995**

[51] LOC (6) Cl. **26-05**

[52] U.S. Cl. **D26/73**

[58] Field of Search D26/73; 362/806, 362/807, 808, 809, 121

[56] **References Cited**

U.S. PATENT DOCUMENTS

5,430,626 7/1995 Leffel 362/807

FOREIGN PATENT DOCUMENTS

2079431 1/1982 United Kingdom 362/807

Primary Examiner—Kay H. Chin
Attorney, Agent, or Firm—W. Wayne Liauh

[57] **CLAIM**

The ornamental design for a decorative lighting device, as shown and described.

DESCRIPTION

FIG. 1 is a perspective view of the decorative lighting device of the present invention;

FIG. 2 is a transparent perspective view of the decorative lighting device as shown in FIG. 1;

FIG. 3 is a bottom perspective view of the decorative lighting device as shown in FIG. 1;

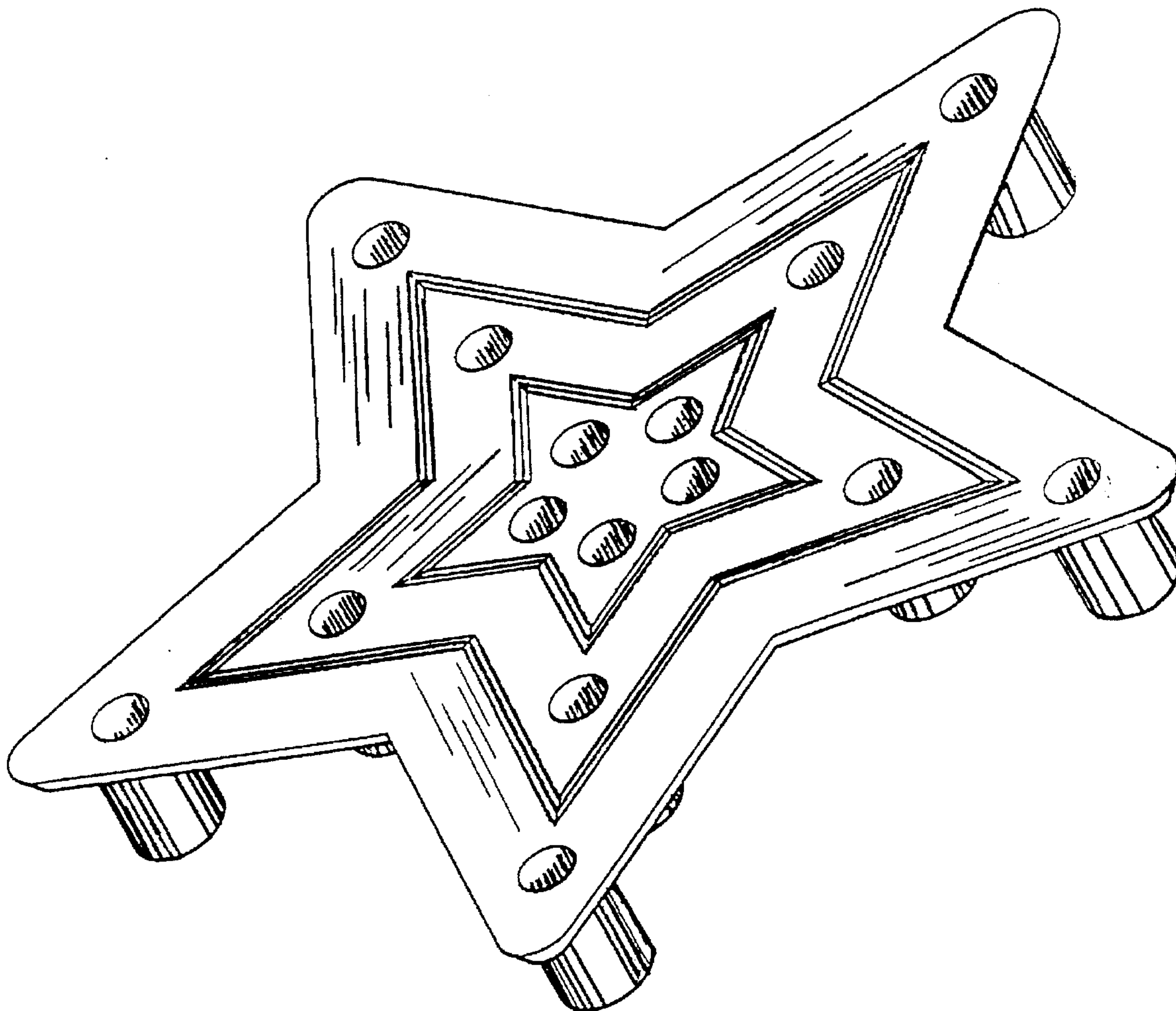
FIG. 4 is a transparent top view of the decorative lighting device as shown in FIG. 1;

FIG. 5 is a bottom view of the decorative lighting device as shown in FIG. 1; and,

FIG. 6 is a front view of the decorative lighting device as shown in FIG. 1.

The surface of the lighting device is translucent FIGS. 2 through 5 of the lighting device are shown in lit condition, and the glass surface of the lighting device is transparent.

1 Claim, 6 Drawing Sheets



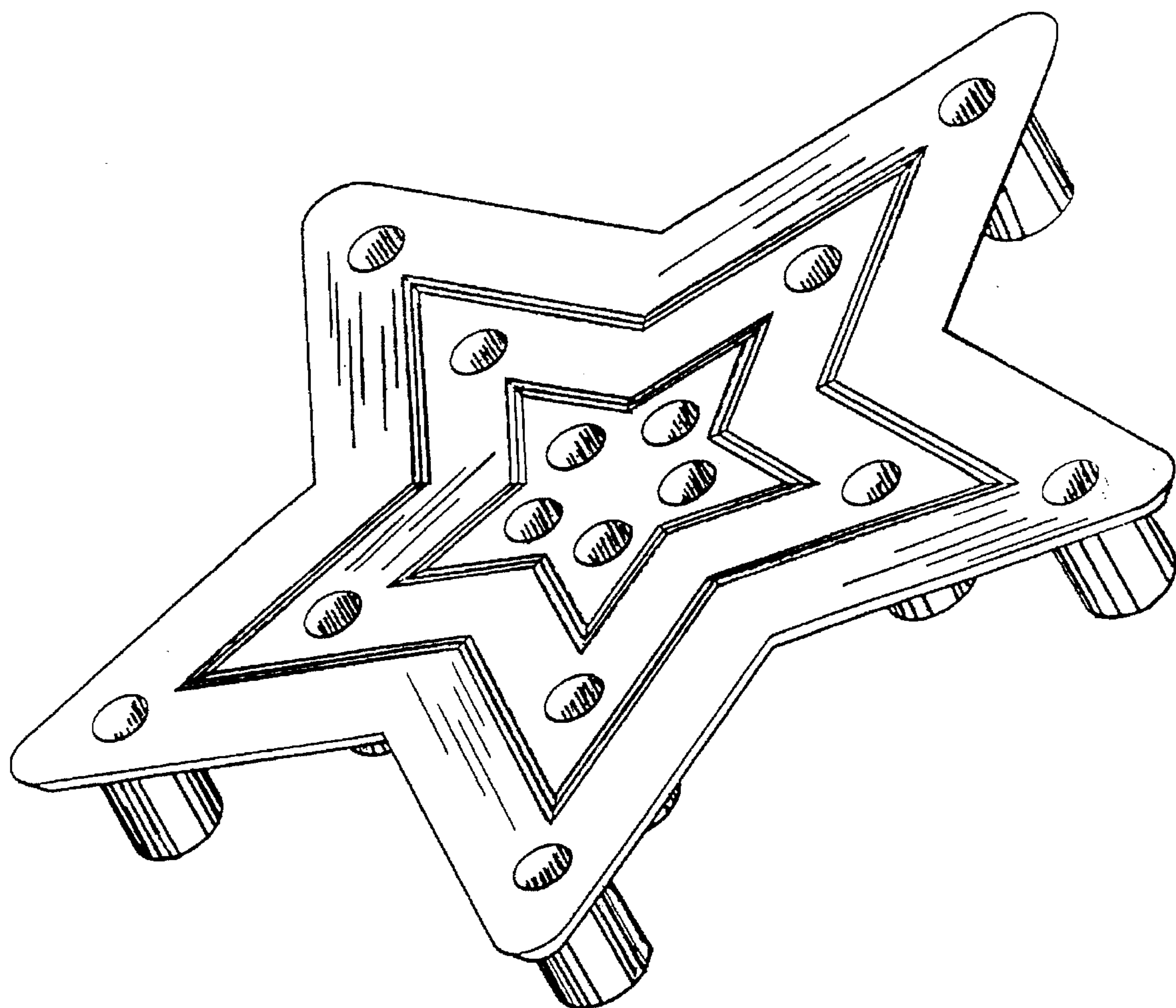


Fig. 1

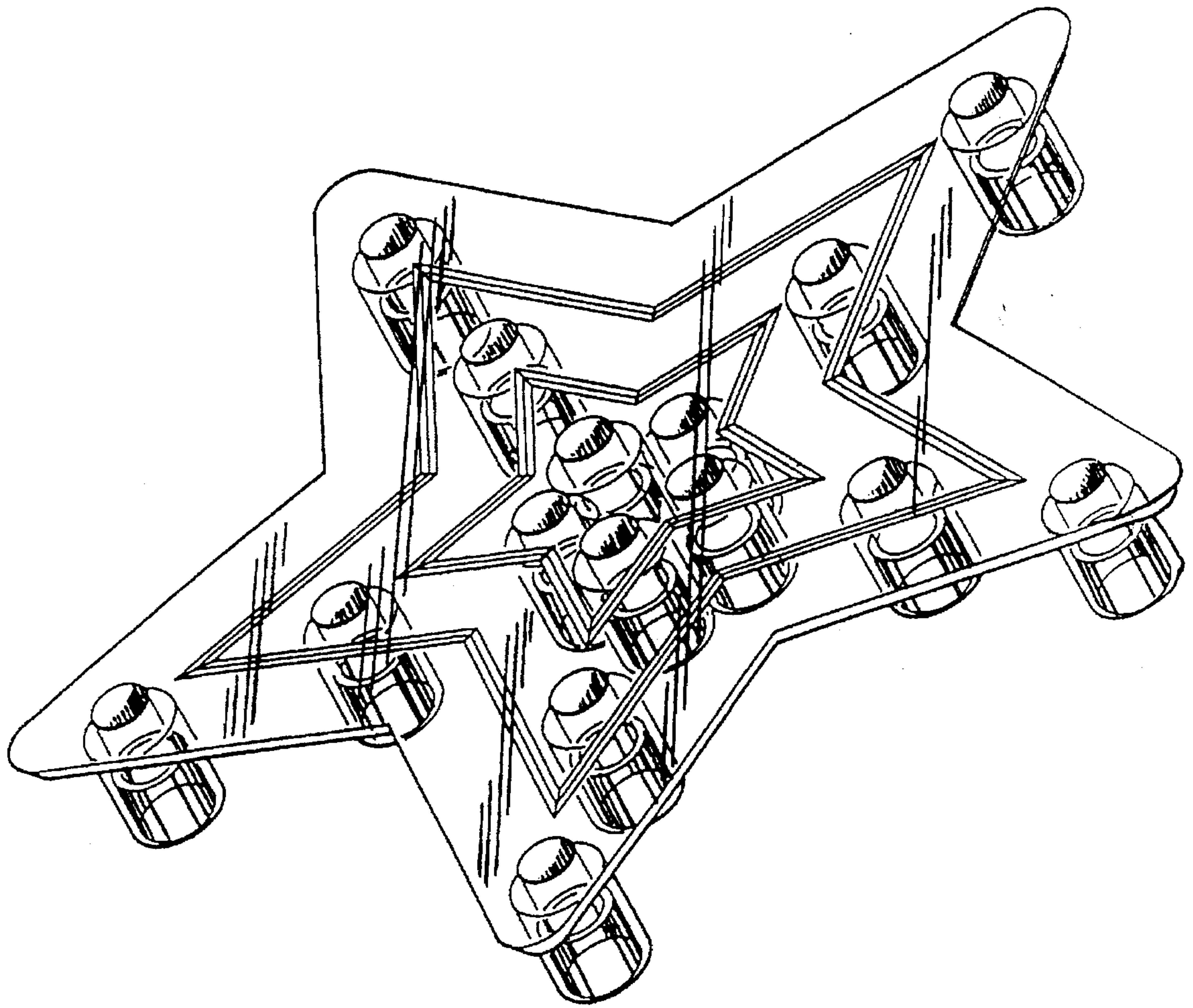


Fig. 2

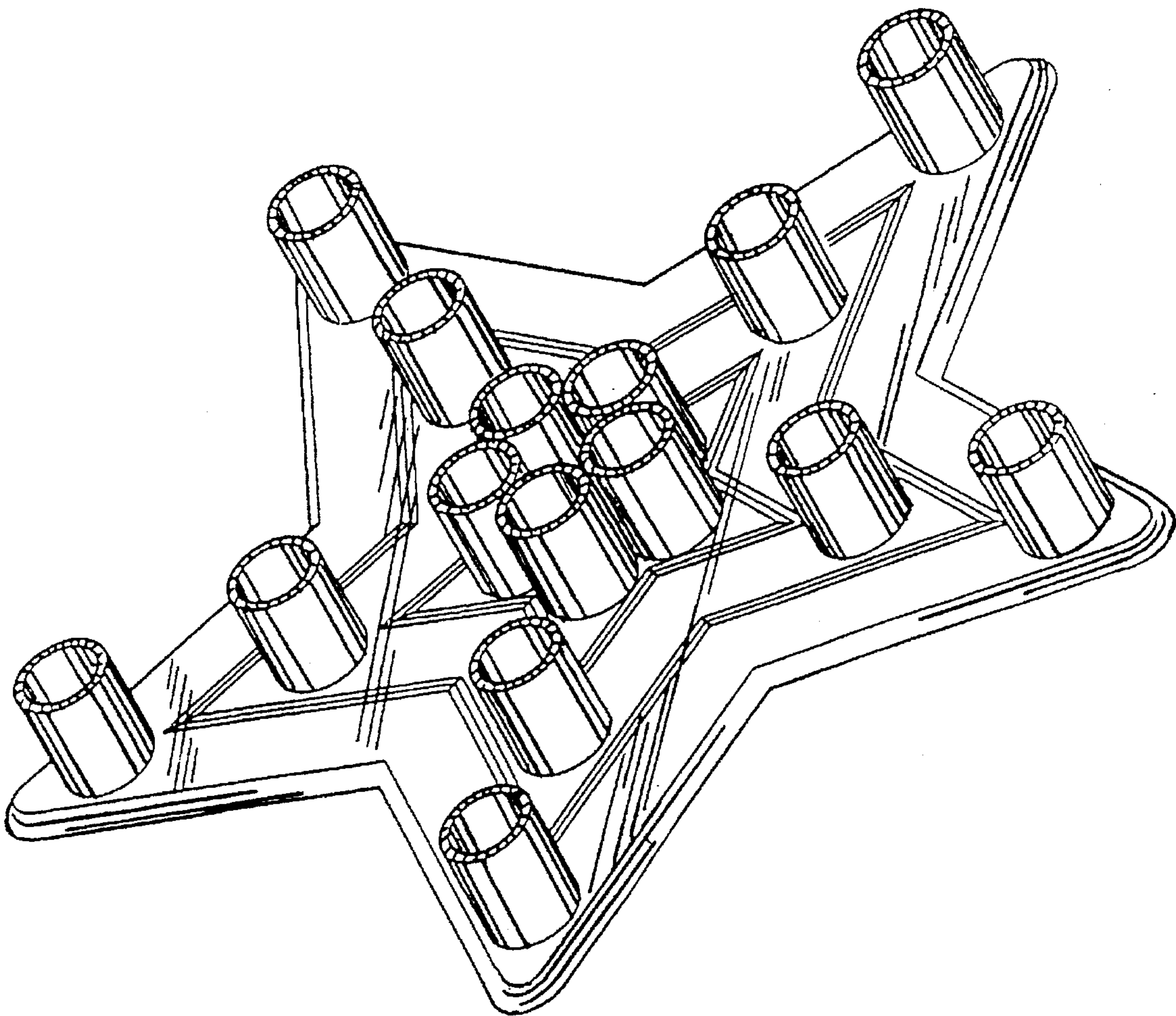


Fig. 3

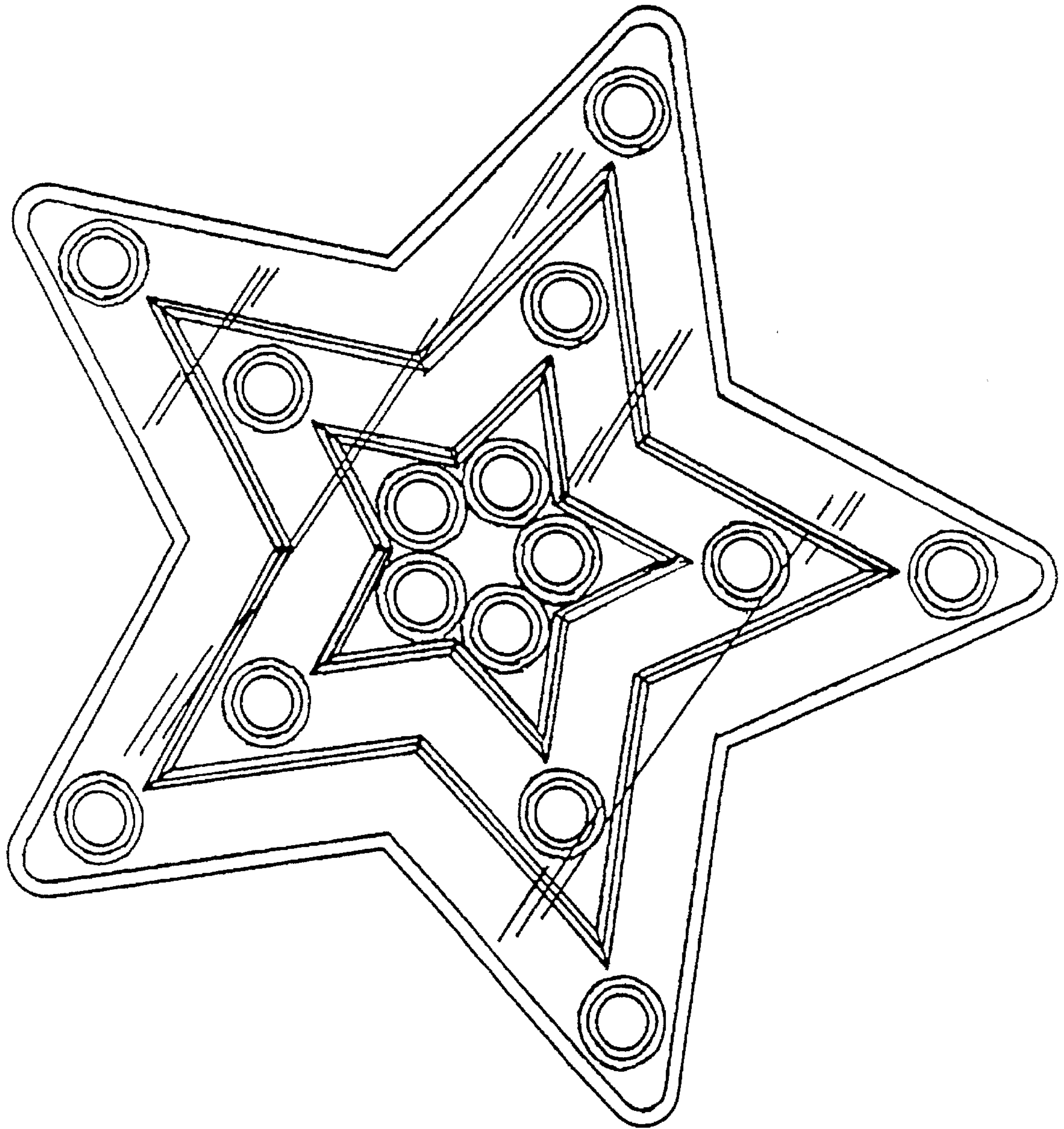


Fig. 4

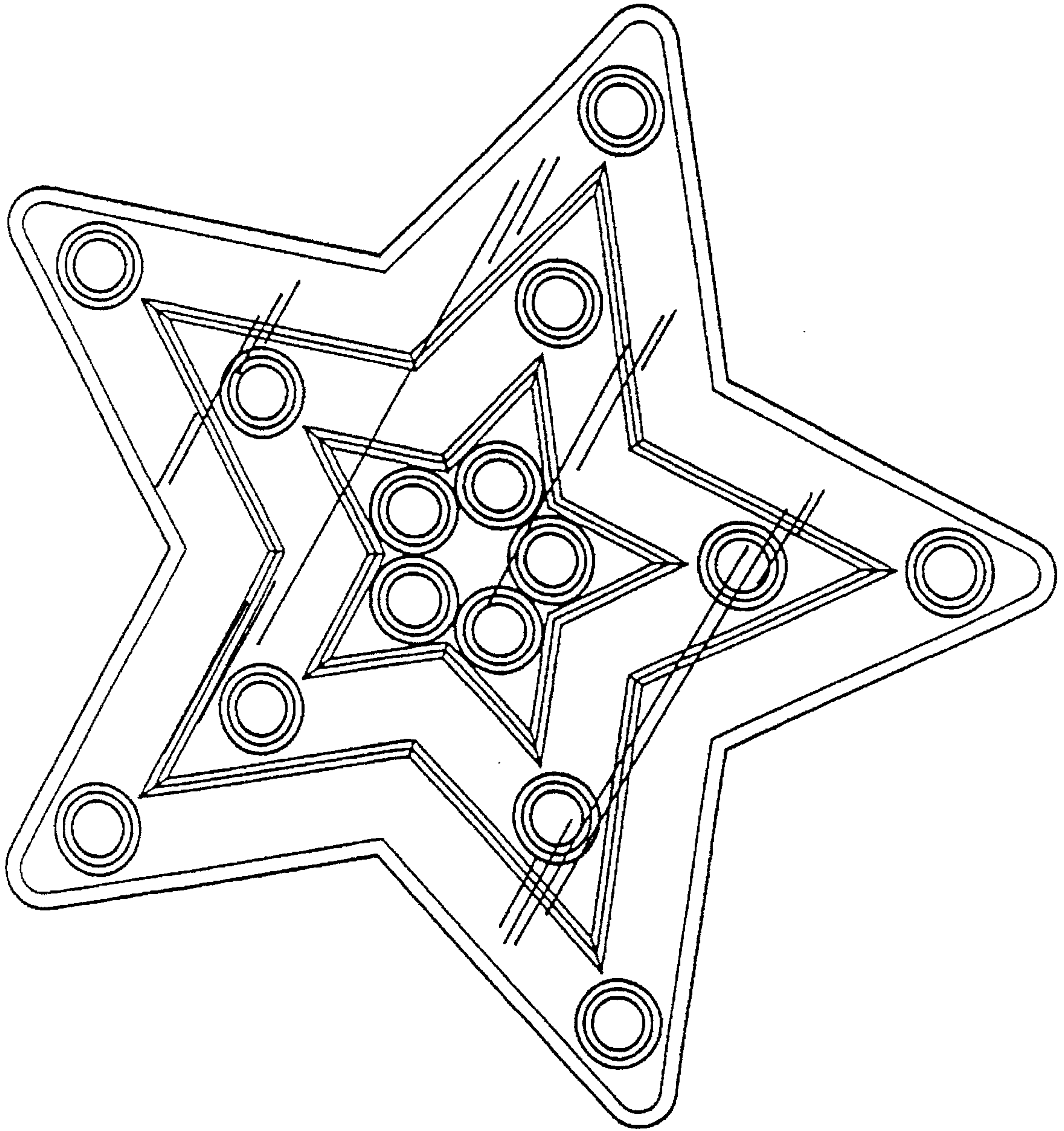


Fig. 5

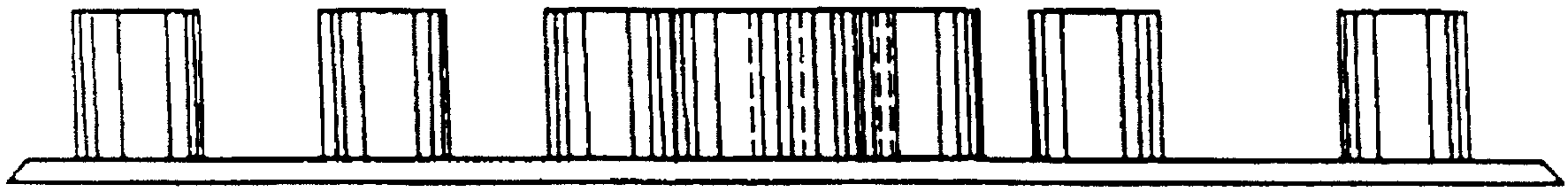


Fig. 6