



US00D380060S

# United States Patent [19] Chiang

[11] Patent Number: **Des. 380,060**

[45] Date of Patent: **\*\*Jun. 17, 1997**

[54] **HEAD FOR A FLASHLIGHT**

D. 368,538 4/1996 Santarsiero ..... D26/37

[76] Inventor: **Hanh Chiang**, No. 162, Chung-Cheng S. Rd., Hsia-Ying Hsiang, Tainan Hsien, Taiwan

*Primary Examiner*—Marcus A. Jackson  
*Attorney, Agent, or Firm*—Skjerven, Morrill, MacPherson, Franklin & Friel

[\*\*] Term: **14 Years**

[57] **CLAIM**

[21] Appl. No.: **48,678**

The ornamental design for a head for a flashlight, as shown and described.

[22] Filed: **Jan. 11, 1996**

**DESCRIPTION**

[51] **LOC (6) Cl.** ..... **26-02**

[52] **U.S. Cl.** ..... **D26/37**

[58] **Field of Search** ..... D26/37-50; 362/157, 362/158, 184, 188, 189, 191, 198, 199, 200, 202, 362, 396

FIG. 1 is a perspective view of a head for a flashlight showing my new design;

FIG. 2 is a front elevational view thereof;

FIG. 3 is a rear elevational view thereof;

FIG. 4 is a left side elevational view thereof;

FIG. 5 is a right side elevational view thereof;

FIG. 6 is a top plan view thereof; and,

FIG. 7 is a bottom plan view thereof.

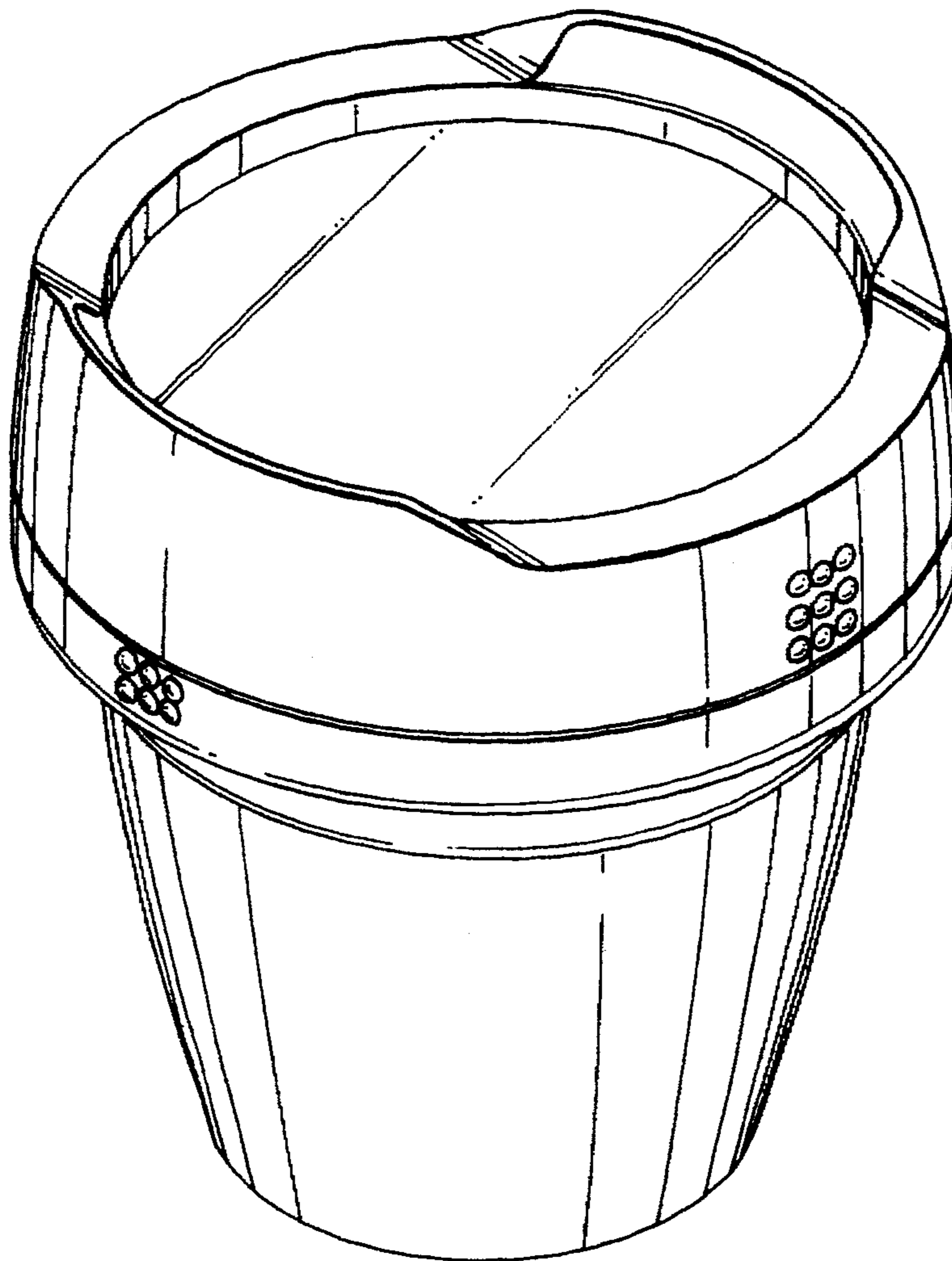
[56] **References Cited**

**U.S. PATENT DOCUMENTS**

D. 330,942 11/1992 Zeung ..... D26/37

D. 351,672 10/1994 Tsay ..... D26/37

**1 Claim, 3 Drawing Sheets**



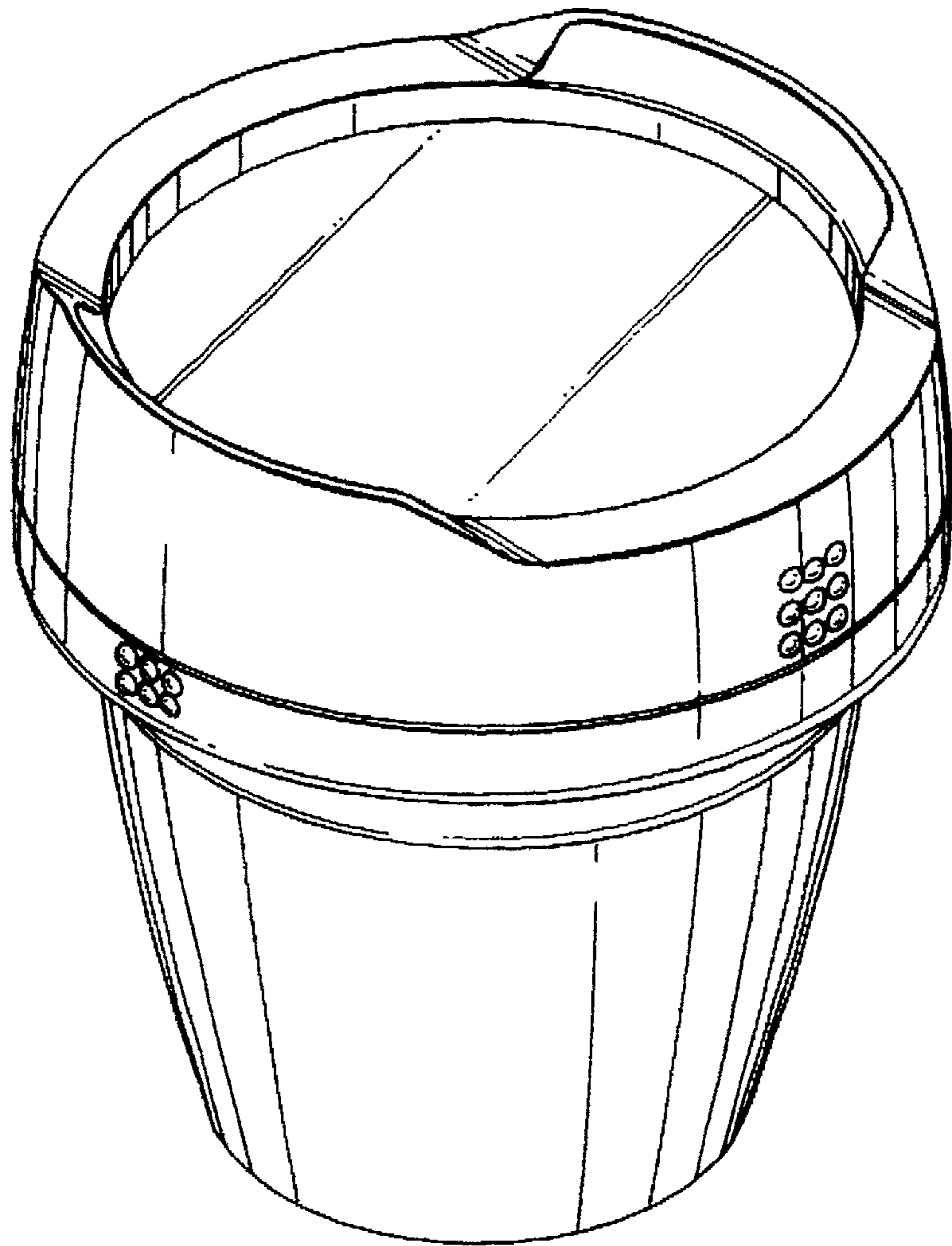


FIG. 1

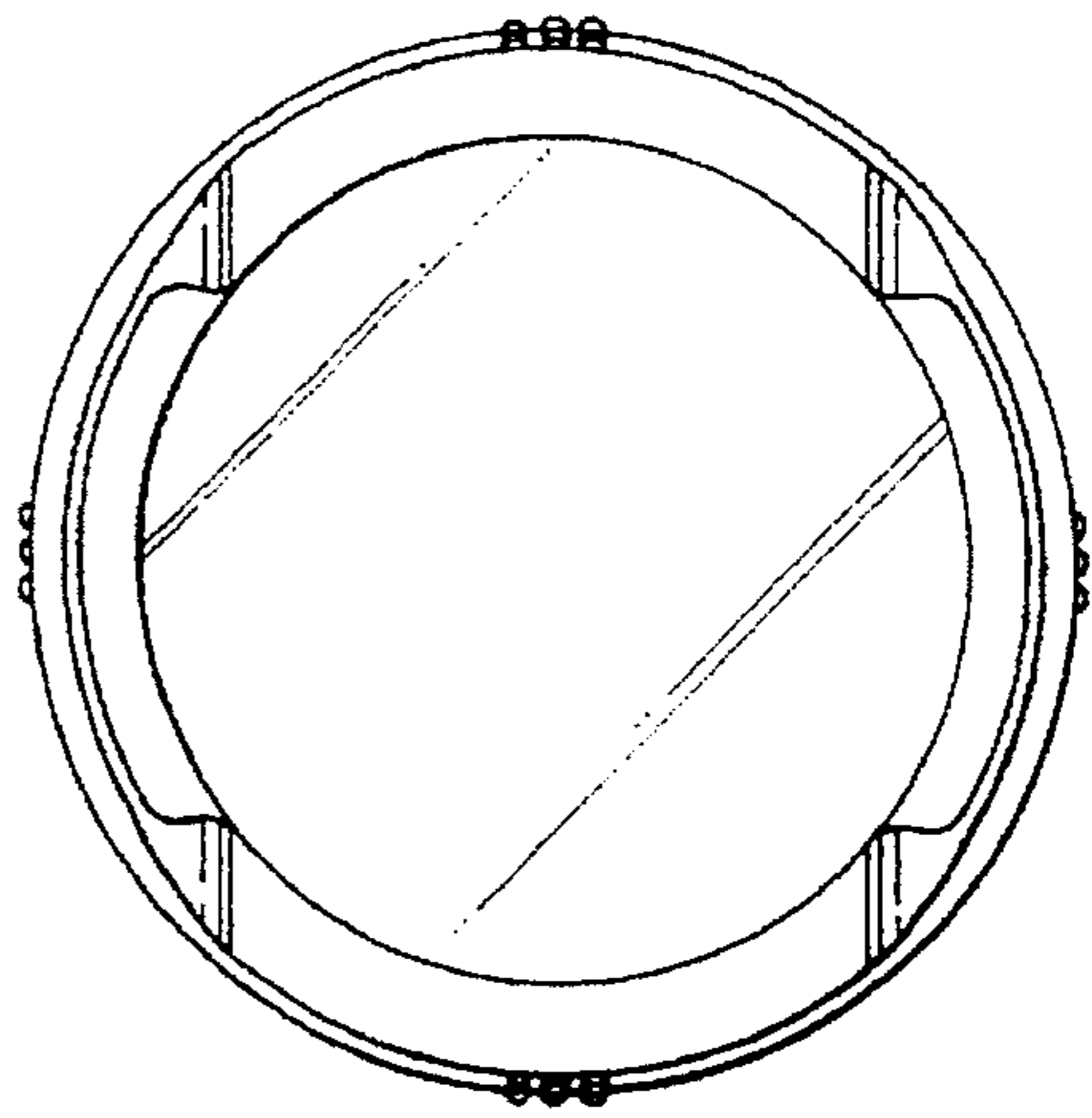


FIG. 6

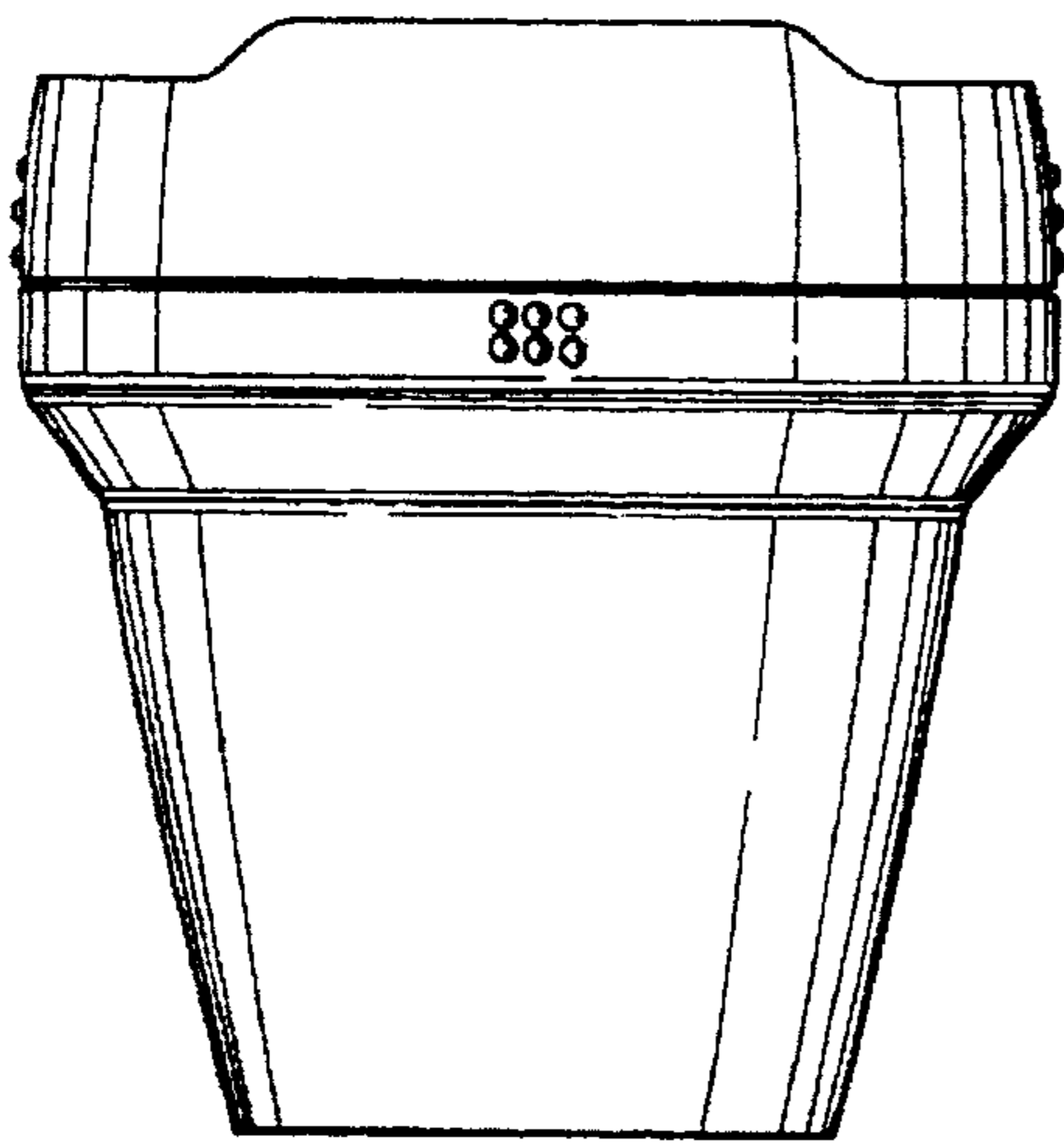


FIG. 4

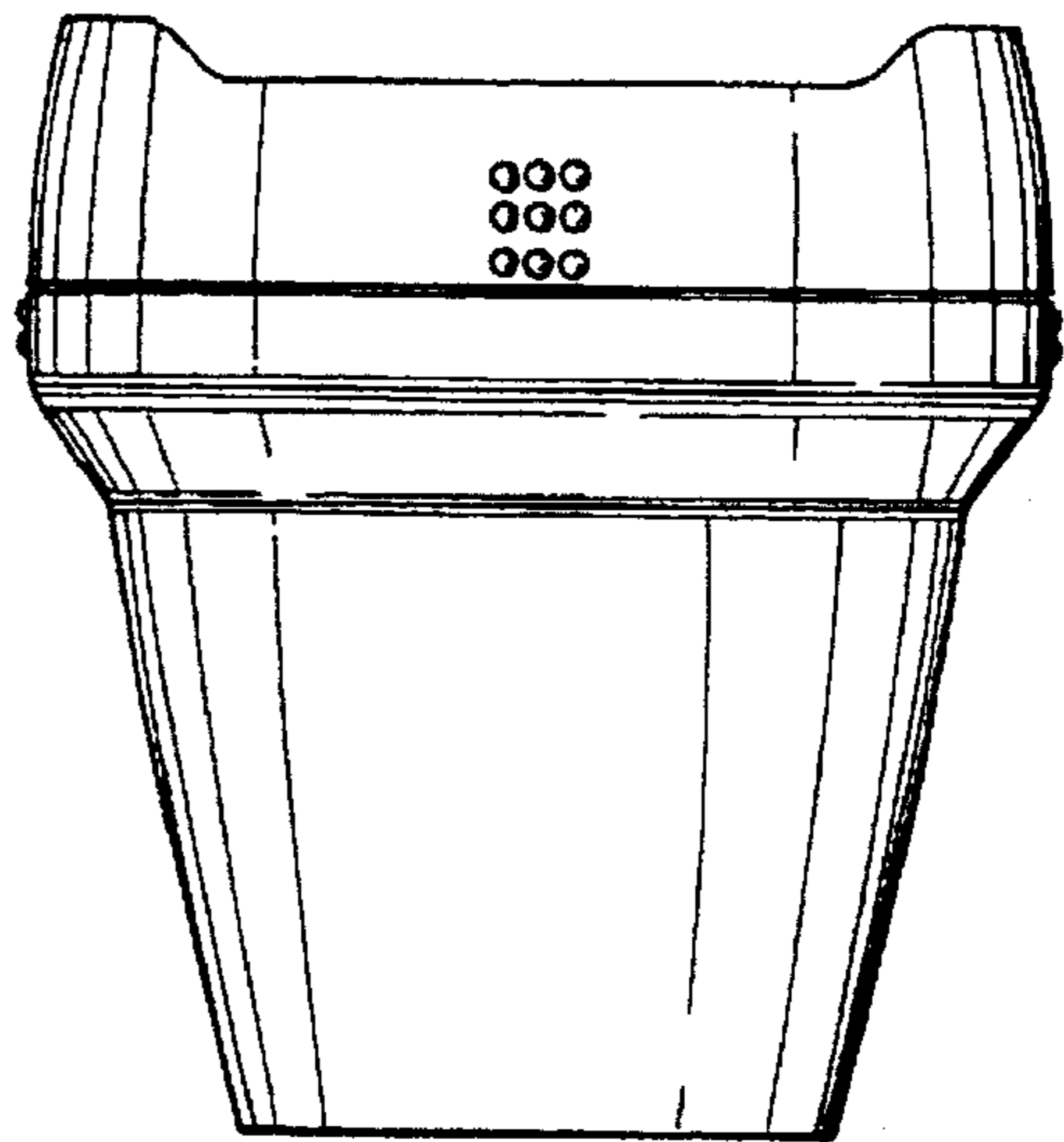


FIG. 2

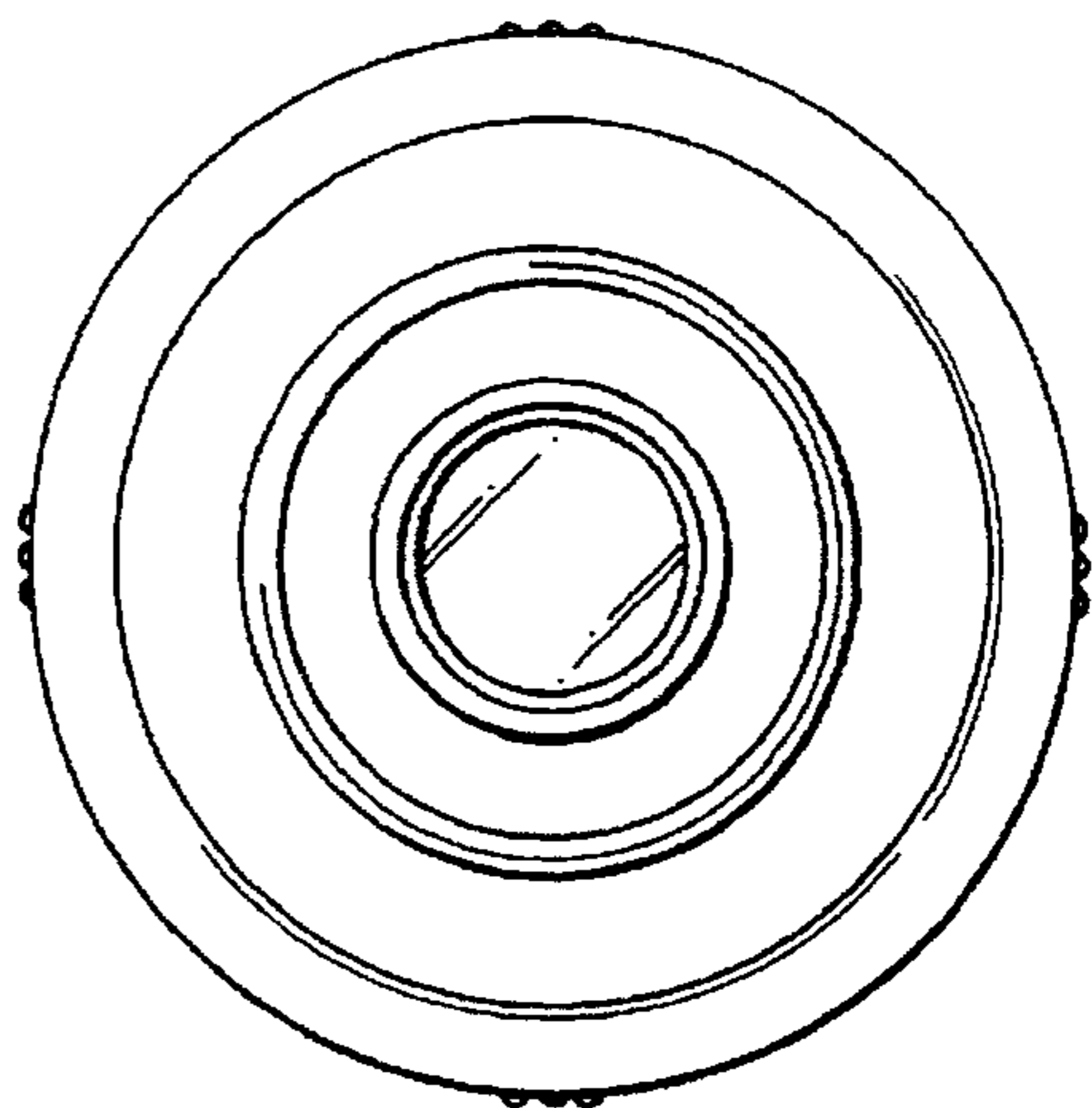


FIG. 7

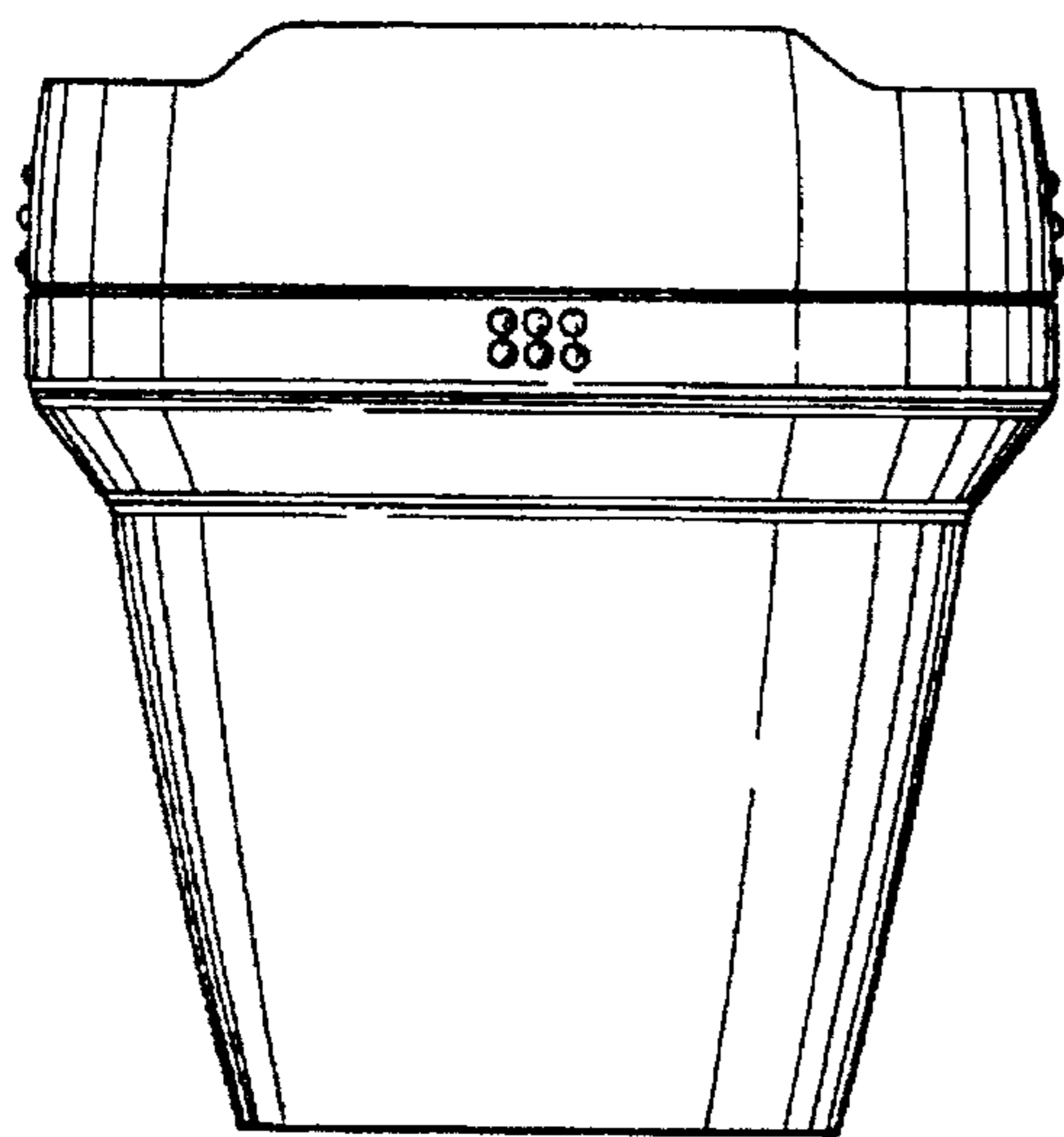


FIG. 5

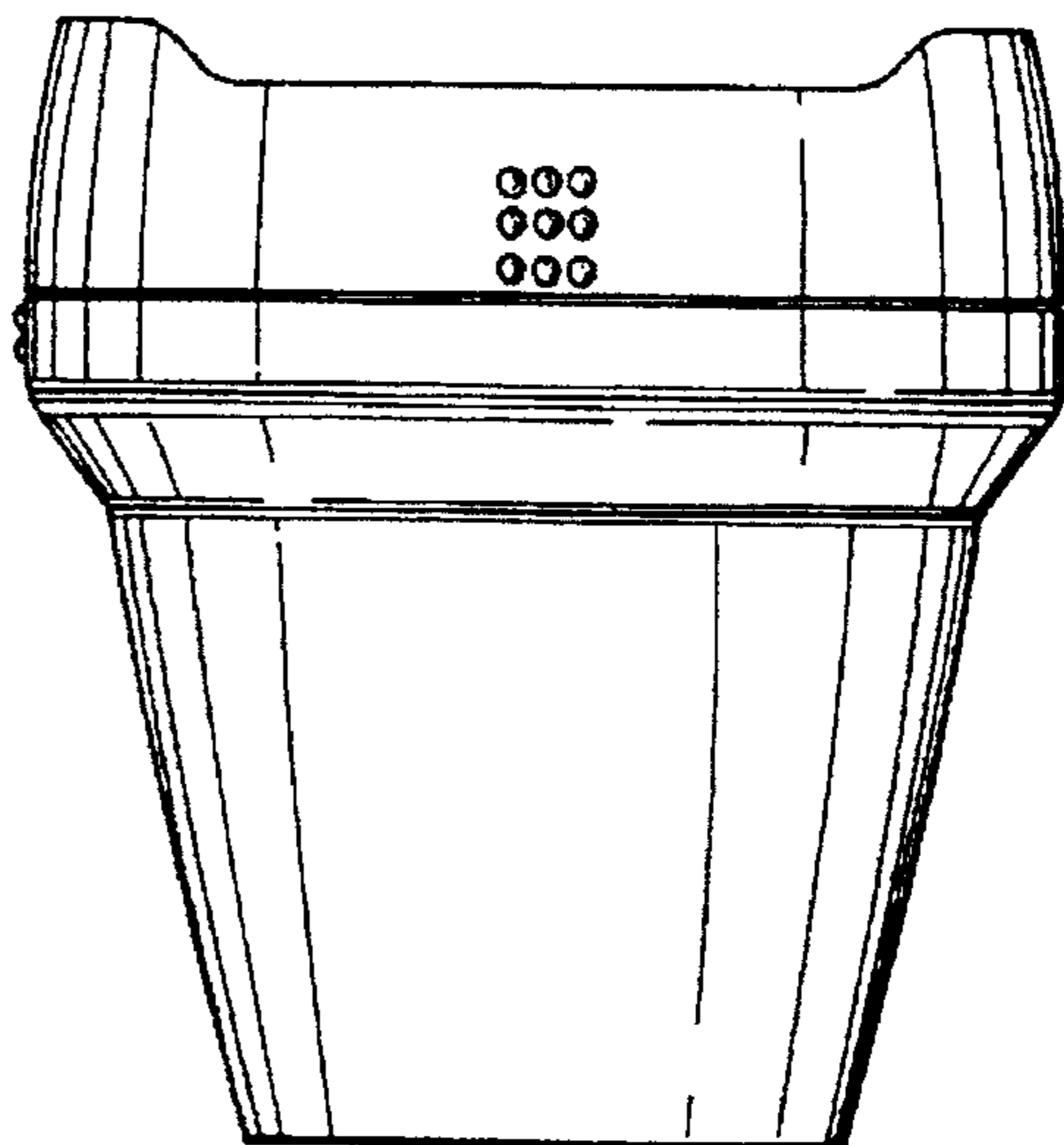


FIG. 3