



US00D380058S

United States Patent [19]
Kane et al.

[11] **Patent Number: Des. 380,058**
[45] **Date of Patent: **Jun. 17, 1997**

- [54] **FIBER OPTIC LIGHT BAR**
- [75] Inventors: **Kenneth M. Kane**, Fairfield, Conn.;
John William Powers, Bronx, N.Y.
- [73] Assignee: **Lighting Services, Inc.**, Stony Point,
N.Y.
- [**] Term: **14 Years**
- [21] Appl. No.: **42,930**
- [22] Filed: **Aug. 21, 1995**
- [51] LOC (6) Cl. **26-03**
- [52] U.S. Cl. **D26/27; D26/24; D26/63**
- [58] Field of Search **D26/24, 63, 65,**
D26/27; 362/147, 235, 236, 240, 239, 249,
241, 269, 275, 287, 32, 125, 126

5,000,535	3/1991	Churchill	362/32	X
5,050,047	9/1991	Viner et al.	362/32	
5,353,786	10/1994	Wilk	362/32	X
5,437,504	8/1995	Halvatzis	362/125	

FOREIGN PATENT DOCUMENTS

2128909 10/1972 France .

Primary Examiner—Susan J. Lucas
Attorney, Agent, or Firm—Cowan, Liebowitz & Latman,
P.C.

[57] **CLAIM**

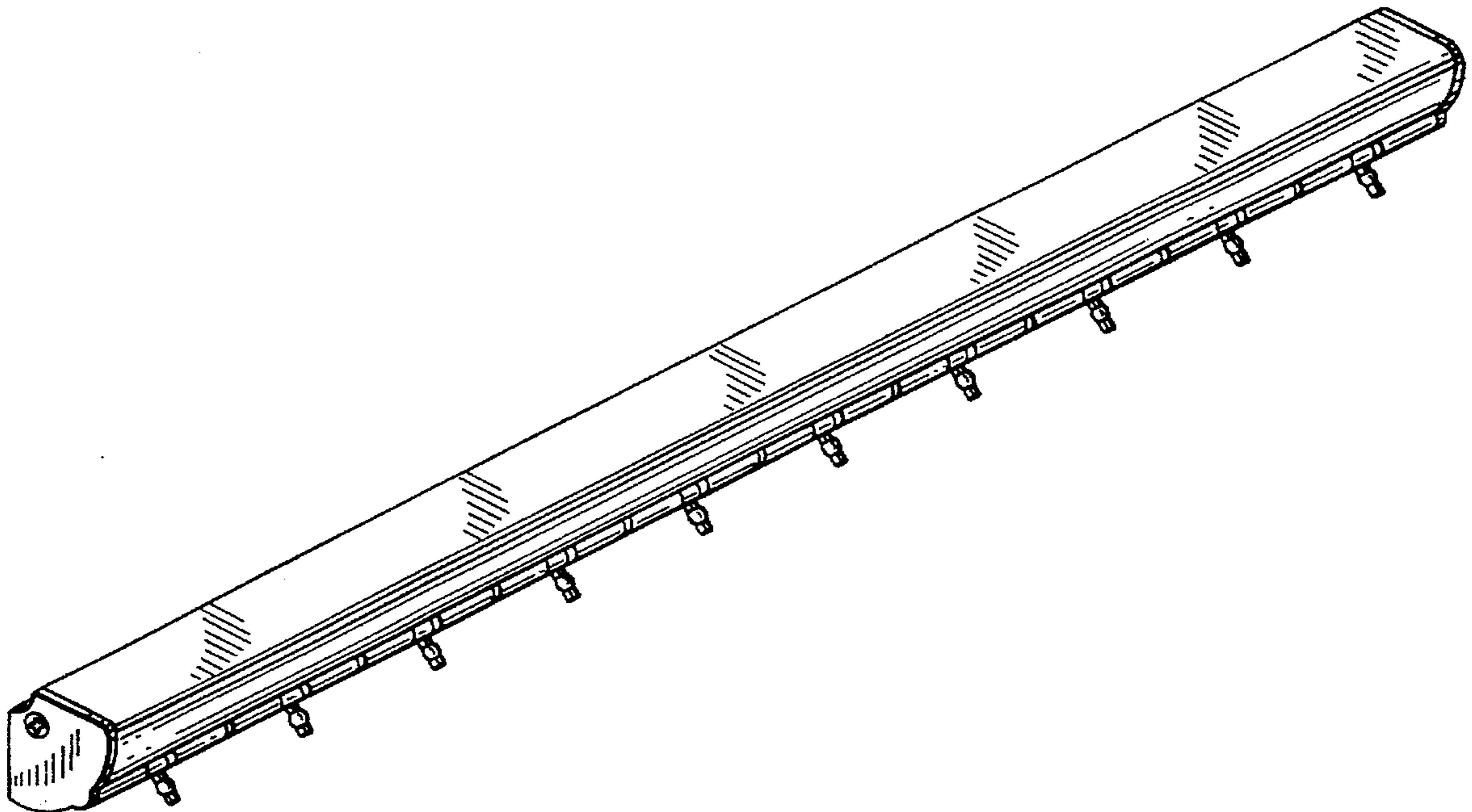
The ornamental design for a fiber optic light bar, as shown and described.

DESCRIPTION

FIG. 1 is a top, front, right side prespective view of a fiber optic light bar showing our new design;
 FIG. 2 is a right side elevational view thereof on an enlarged scale;
 FIG. 3 is a left side elevational view thereof on an enlarged scale;
 FIG. 4 is a front elevational view thereof;
 FIG. 5 is a bottom plan view thereof;
 FIG. 6 is a back elevational view thereof; and,
 FIG. 7 is a top plan view thereof.

- [56] **References Cited**
- U.S. PATENT DOCUMENTS**
- | | | |
|-----------|---------|-----------------------|
| 3,912,918 | 10/1975 | Feinbloom . |
| 3,943,815 | 3/1976 | Gilbert . |
| 4,118,760 | 10/1978 | Cohon . |
| 4,394,714 | 7/1983 | Rote . |
| 4,729,070 | 3/1988 | Chui . |
| 4,745,525 | 5/1988 | Sheehy . |
| 4,760,507 | 7/1988 | Lasker et al. . |
| 4,858,086 | 8/1989 | Pietrantonio et al. . |

1 Claim, 4 Drawing Sheets



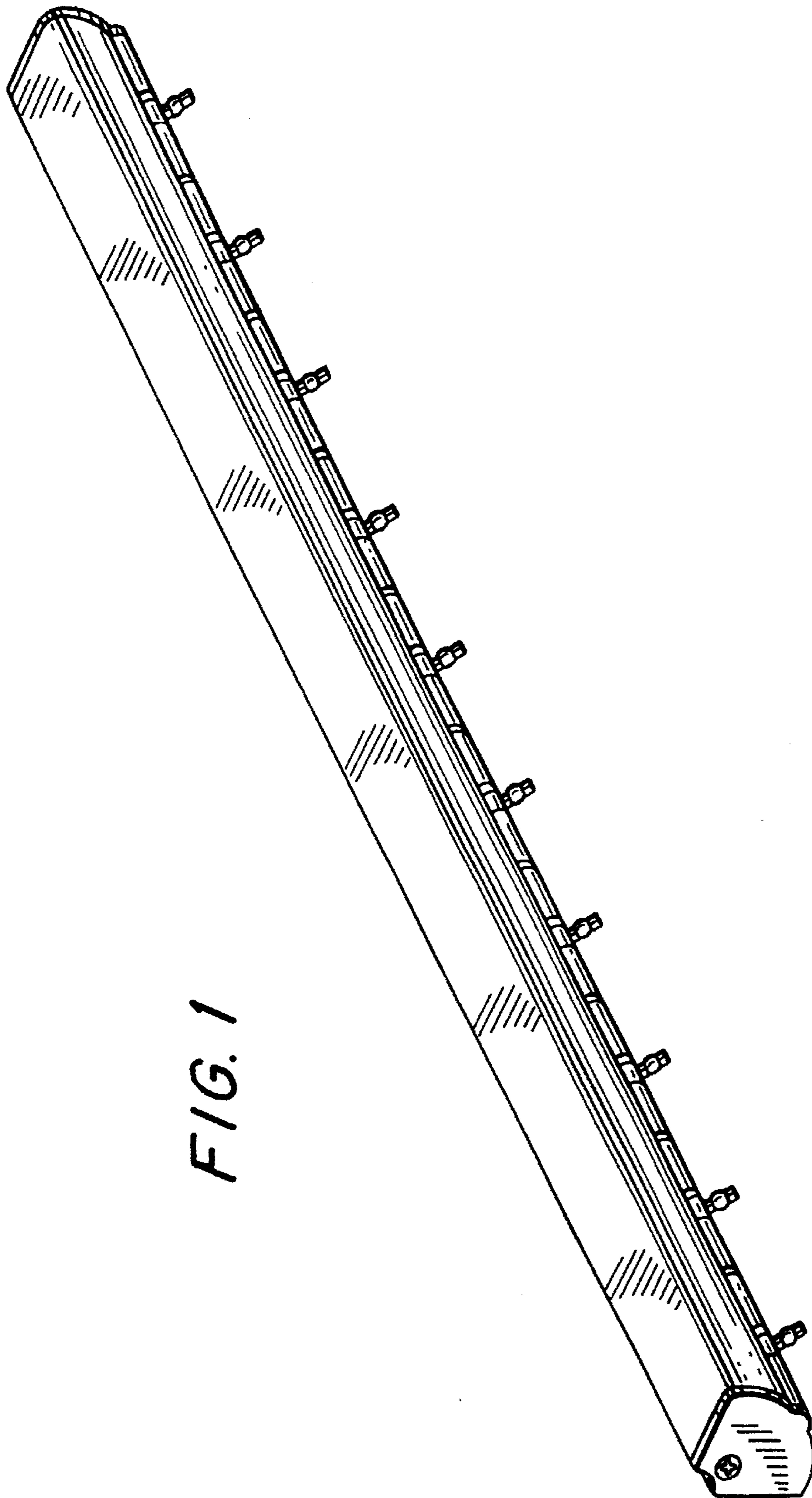


FIG. 1

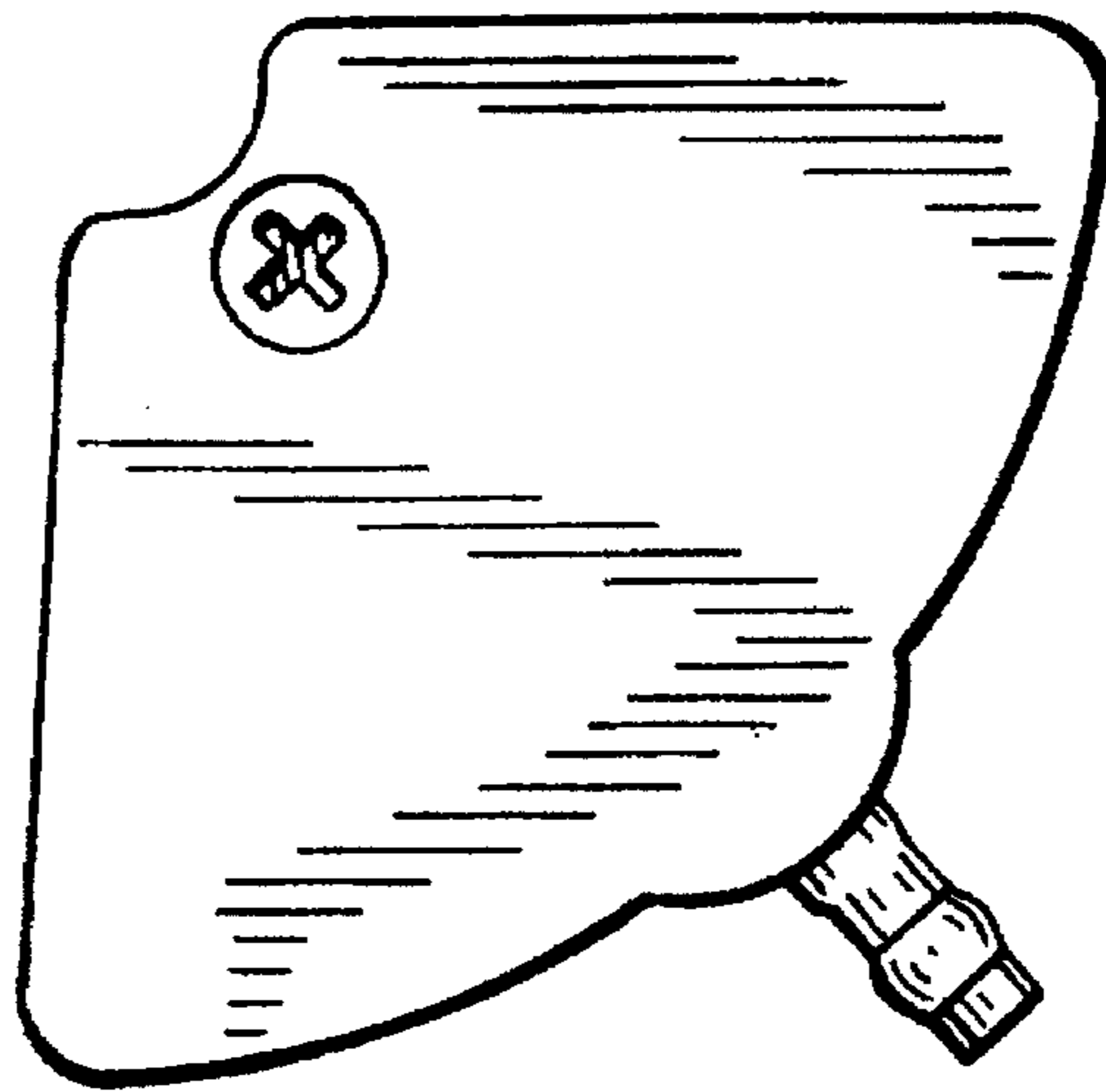


FIG. 2

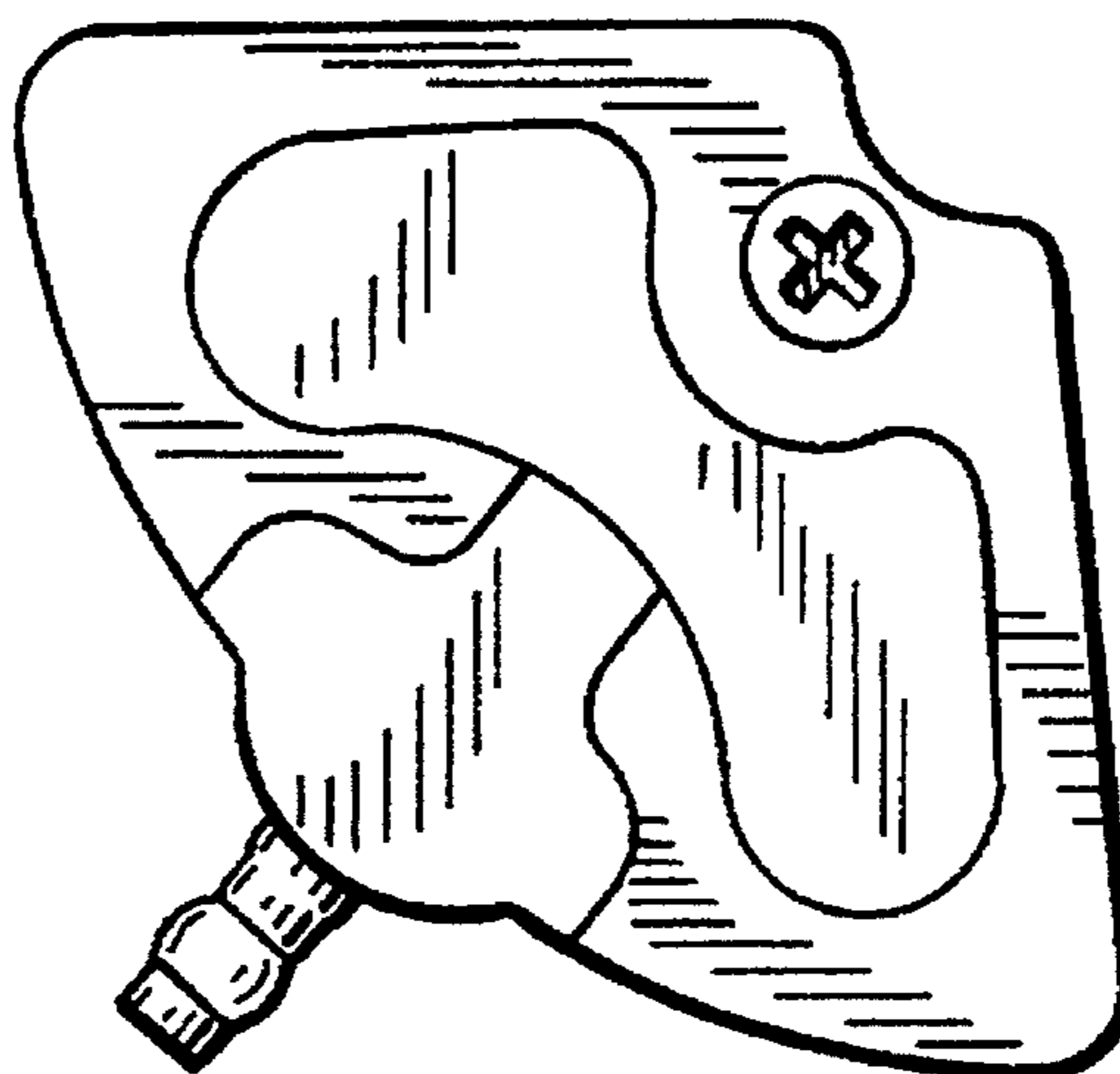


FIG. 3

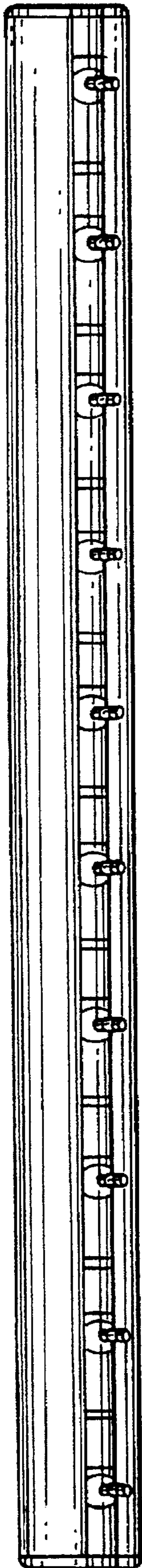


FIG. 4

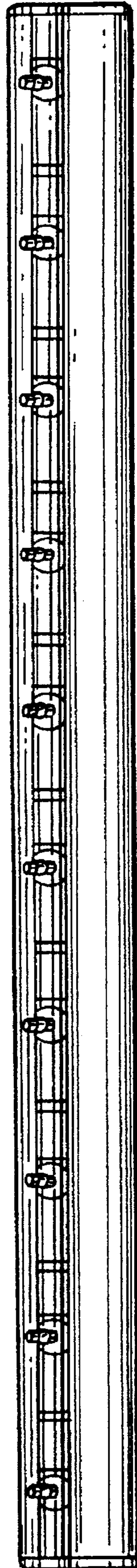


FIG. 5

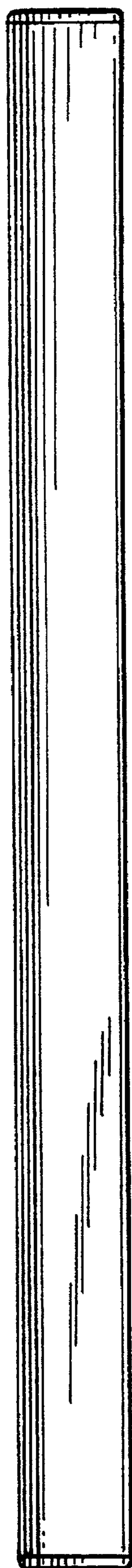


FIG. 6



FIG. 7