



US00D380054S

# United States Patent [19] Littlejohn

[11] Patent Number: **Des. 380,054**  
[45] Date of Patent: **\*\*Jun. 17, 1997**

[54] **CONNECTOR AND SPACER FOR WINDOW  
FALSE MUNTINS**

5,351,459 10/1994 Kassl et al. .  
5,456,048 10/1995 White ..... 52/456

[76] Inventor: **Bradley S. Littlejohn**, Gokchoff Rd.,  
Fort Pierce, Fla. 34945

### FOREIGN PATENT DOCUMENTS

[\*\*] Term: **14 Years**

1400599 4/1965 France .  
234148 4/1910 Germany .  
926881 5/1963 United Kingdom .  
1402411 8/1975 United Kingdom .  
2054716 2/1981 United Kingdom .  
2185516 7/1987 United Kingdom .

[21] Appl. No.: **41,674**

[22] Filed: **Jul. 21, 1995**

*Primary Examiner*—Doris Clark  
*Attorney, Agent, or Firm*—Richard C. Litman

[51] LOC (6) Cl. .... **25-02**

[52] U.S. Cl. .... **D25/61**

[58] Field of Search ..... D25/61; 52/656.5,  
52/665, 656.9, 656.6, 456

### [57] CLAIM

The ornamental design for a connector and spacer for window false muntins, as shown and described.

### [56] References Cited

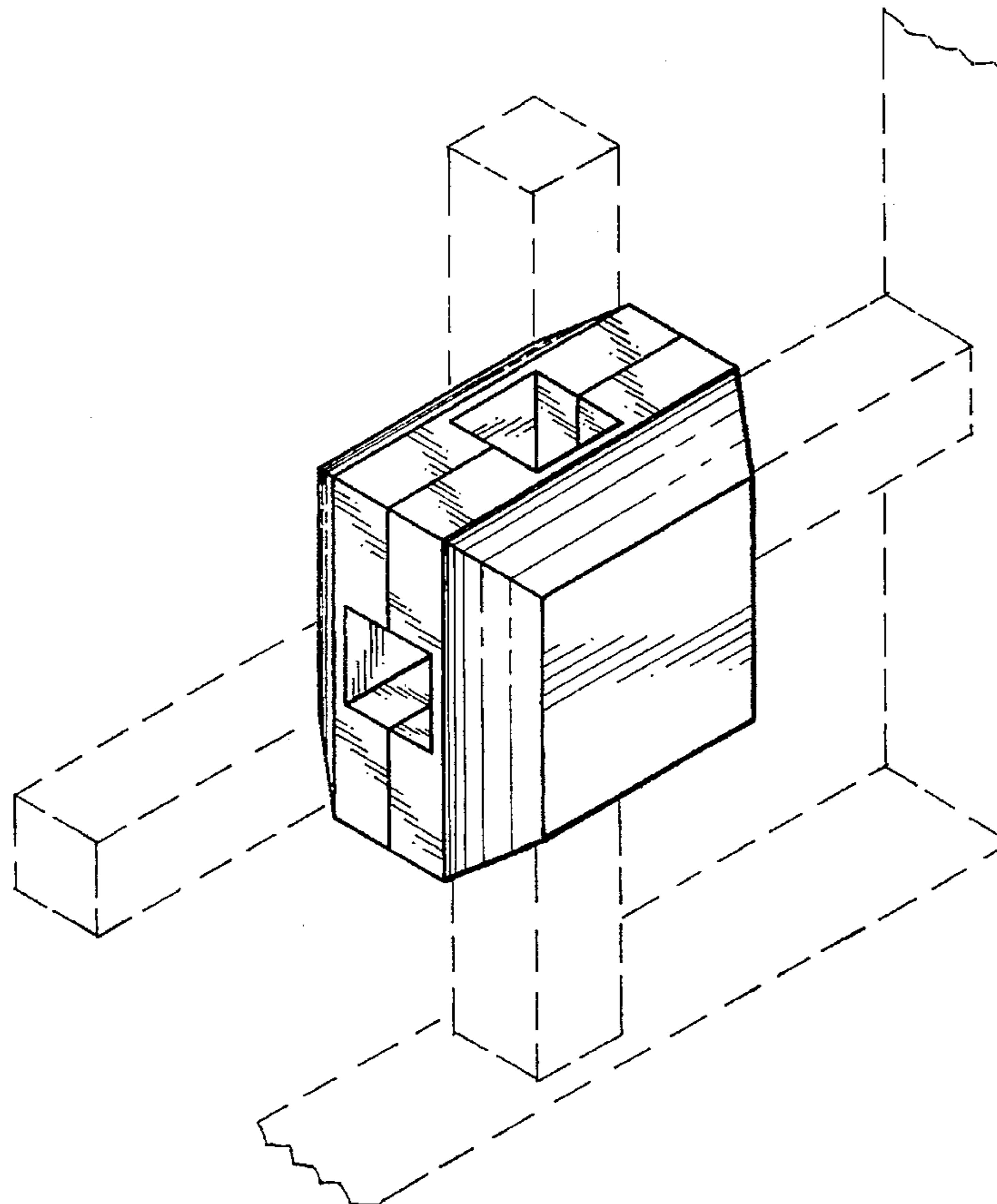
### DESCRIPTION

#### U.S. PATENT DOCUMENTS

D. 361,136	8/1995	Parkinson	.....	D25/61
3,686,814	8/1972	Anderson	.....	52/665
3,866,380	2/1975	Benson	.	
4,060,950	12/1977	Rackard et al.	.....	52/665
4,113,905	9/1978	Kessler	.	
4,222,213	9/1980	Kessler	.	
4,723,388	2/1988	Zieg	.	
4,783,938	11/1988	Palmer	.	
4,791,773	12/1988	Taylor	.	
4,838,001	6/1989	Battles	.	
4,881,354	11/1989	Pitt	.....	52/665
4,928,448	5/1990	Phillip	.	
5,099,626	3/1992	Seeger	.	

FIG. 1 is an environmental perspective view of a connector and spacer for window false muntins showing my new design, with the portion of the figure shown in broken lines representing a portion of a window frame and false muntins and forming no part of the claimed design;  
FIG. 2 is a front elevational view thereof, with the rear elevation being a mirror image;  
FIG. 3 is a top plan view thereof, with the bottom plan and left and right side elevations being identical; and,  
FIG. 4 is an exploding top plan view thereof of the individual components forming the present connector design.

**1 Claim, 2 Drawing Sheets**



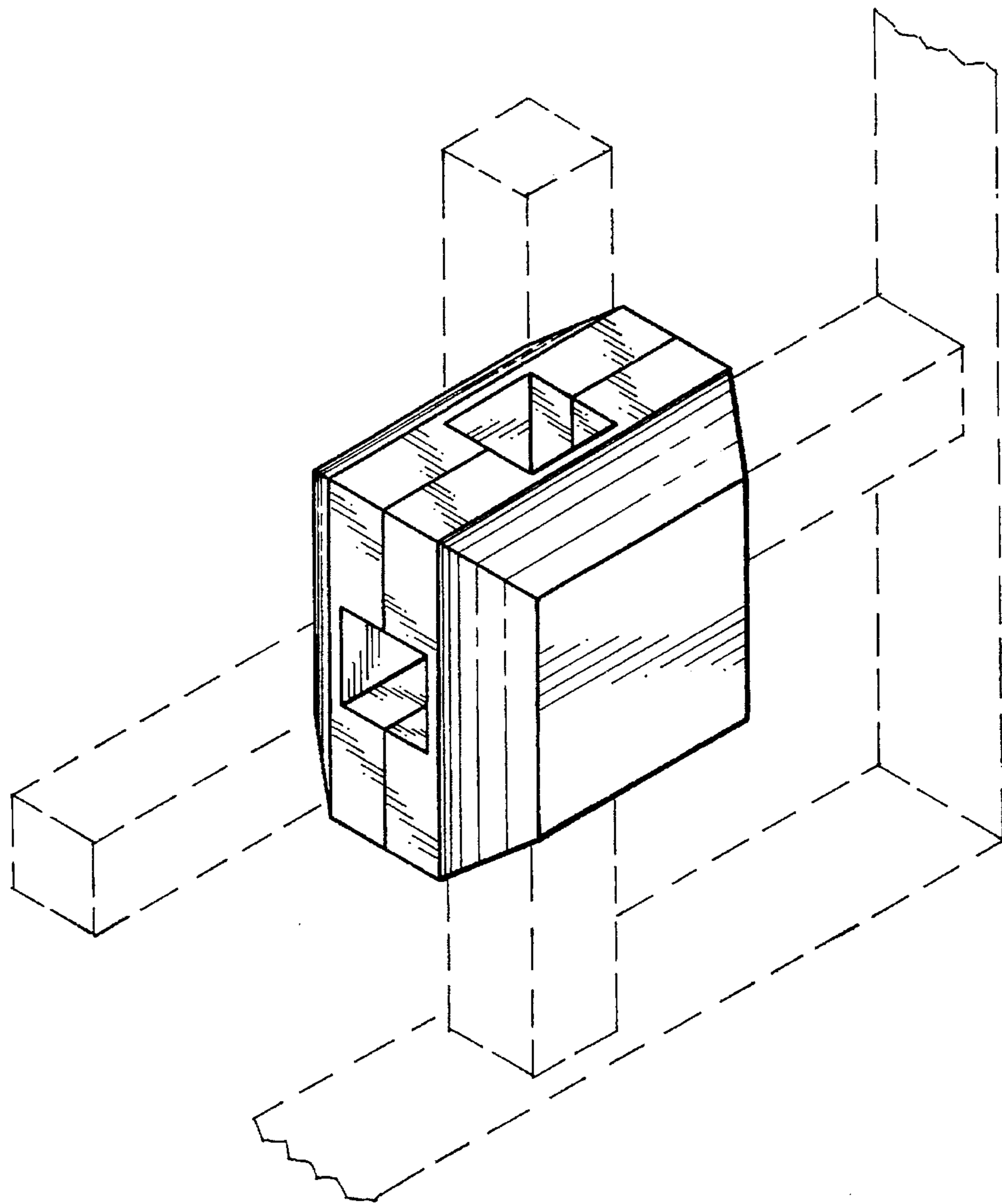


FIG. 1

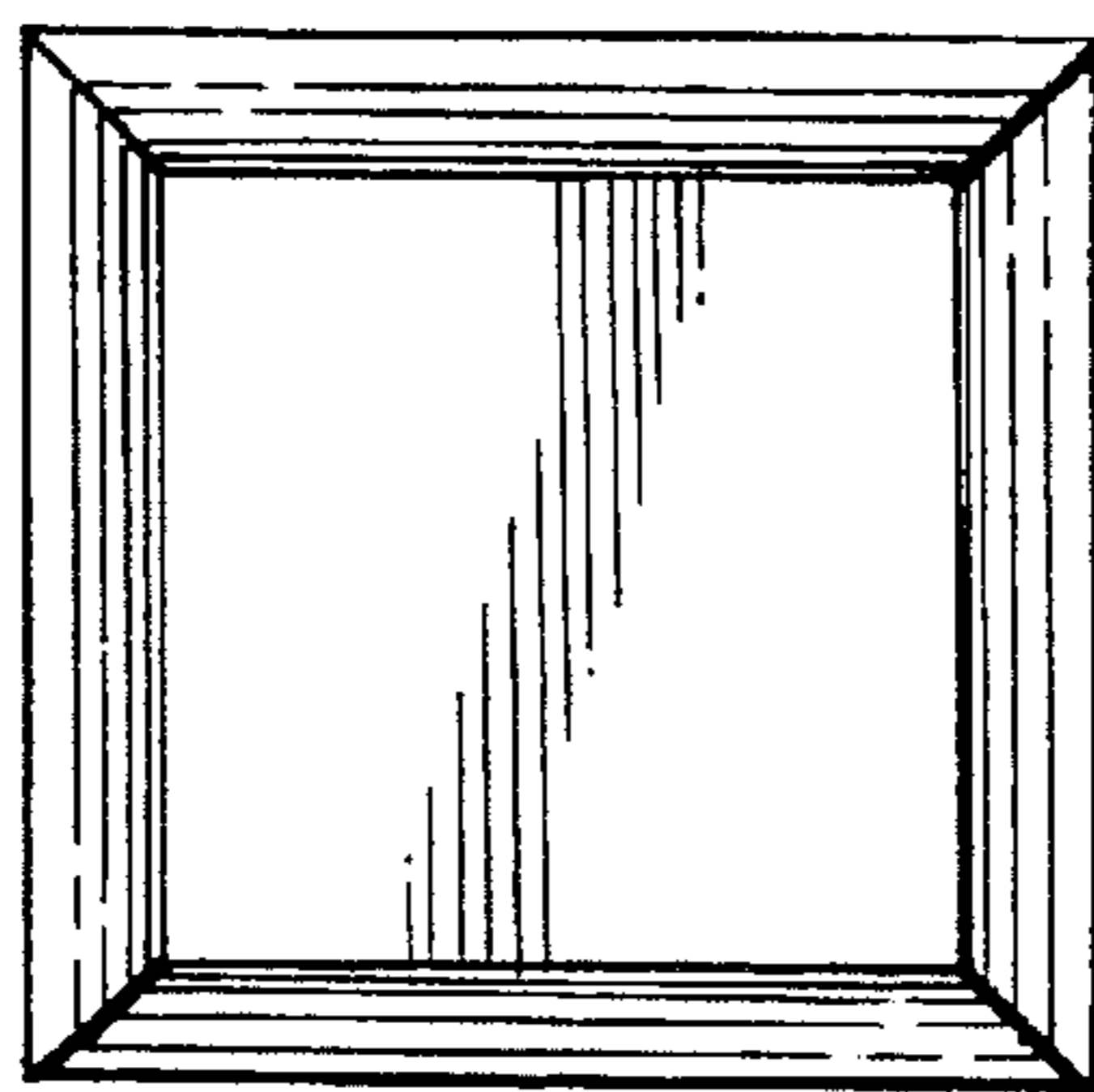


FIG. 2

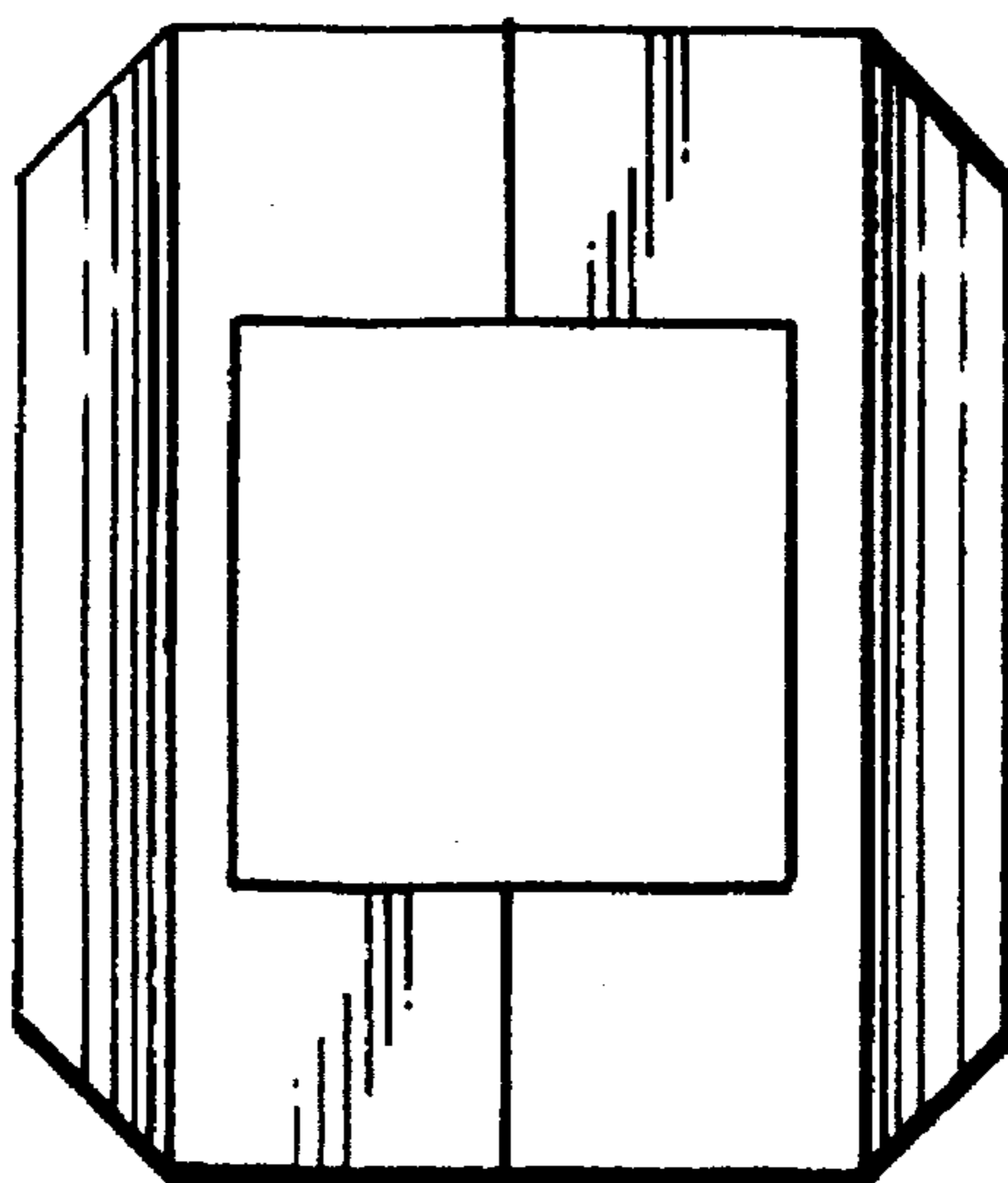


FIG. 3

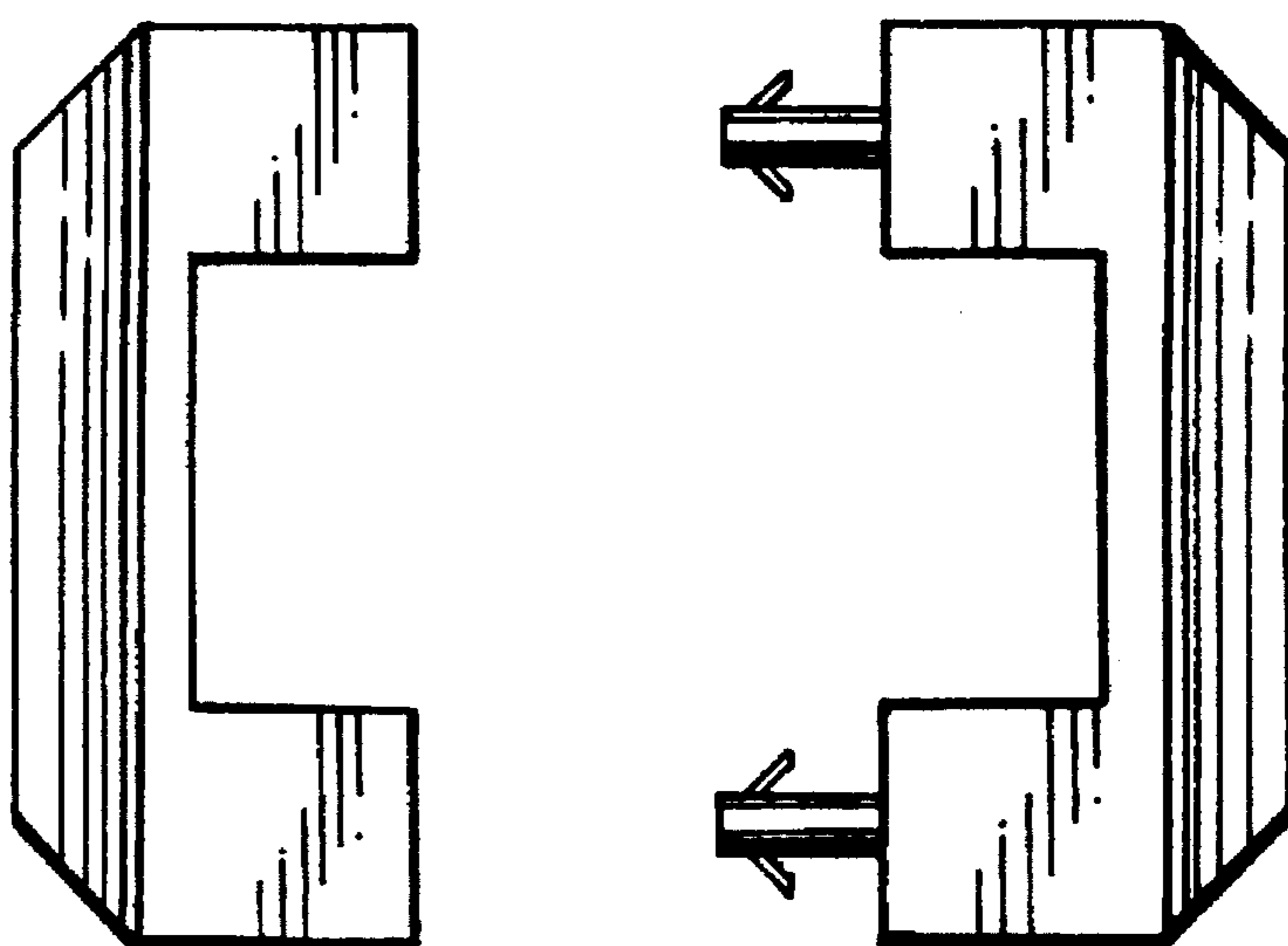


FIG. 4