



US00D380052S

United States Patent [19]

[11] Patent Number: Des. 380,052

Musgrave et al.

[45] Date of Patent: **Jun. 17, 1997

[54] TISSUE CASSETTE

[75] Inventors: **Alford D. Musgrave**, 1850 Jeffrey Ave., Escondido, Calif. 92027-4441; **Ulysses S.A. Brown**, Escondido, Calif.

[73] Assignee: **Alford D. Musgrave**, Escondido, Calif.

[**] Term: 14 Years

[21] Appl. No.: 45,730

[22] Filed: Oct. 27, 1995

[51] LOC (6) Cl. 24-01

[52] U.S. Cl. D24/224; D24/216

[58] Field of Search D24/224; 210/235, 210/236; 220/307, 306, 339, 337, 334, 335; 422/100, 102; 425/117

4,801,553	1/1989	Owen et al. .	
4,997,100	3/1991	Dudek	D24/224 X
5,061,452	10/1991	Yamamoto et al. .	
5,080,869	1/1992	McCormick .	
5,127,537	7/1992	Graham	D24/224 X
5,358,692	10/1994	Reynolds .	
5,424,040	6/1995	Bjornsson .	
5,427,742	6/1995	Holland	D24/224 X
5,484,731	1/1996	Stevens	D24/224 X

Primary Examiner—Louis S. Zarfaz
Assistant Examiner—I. Simmons
Attorney, Agent, or Firm—Brown, Martin, Haller & McClain

[57] CLAIM

The ornamental design for a tissue cassette, as shown and described.

DESCRIPTION

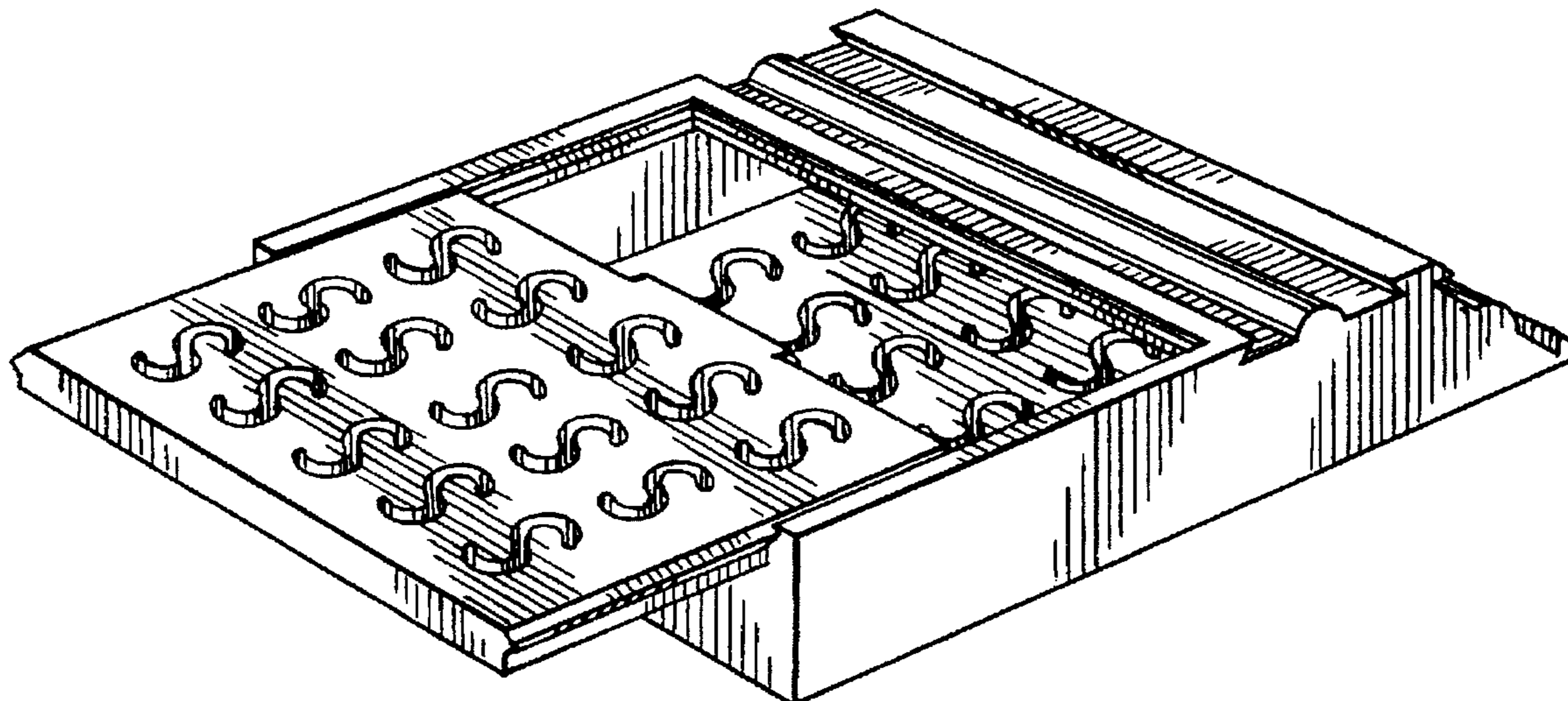
FIG. 1 is a right, front perspective view of a tissue cassette showing our new design, with the top door shown in open condition;
FIG. 2 is a bottom plan view thereof;
FIG. 3 is a rear end elevational view thereof;
FIG. 4 is a left side elevational view thereof; and,
FIG. 5 is a front end view of thereof.

[56] References Cited

U.S. PATENT DOCUMENTS

D. 284,699	7/1986	Jolley	D24/226
D. 320,280	9/1991	Holen .	
D. 340,117	10/1993	Smalley et al. .	
3,940,219	2/1976	Pickett et al. .	
4,034,884	7/1977	White .	
4,421,246	12/1983	Schultz et al. .	
4,549,670	10/1985	Trendler .	

1 Claim, 1 Drawing Sheet



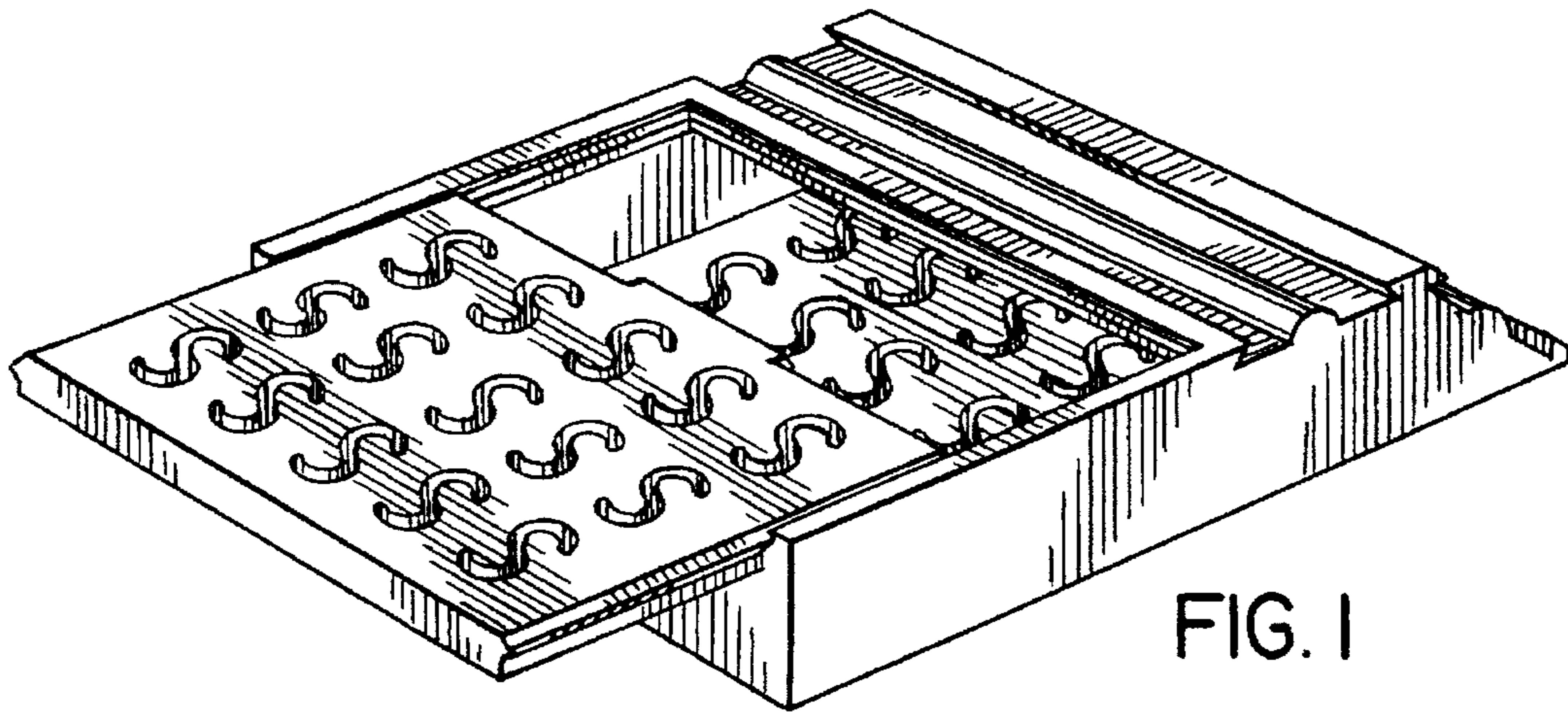


FIG. 1

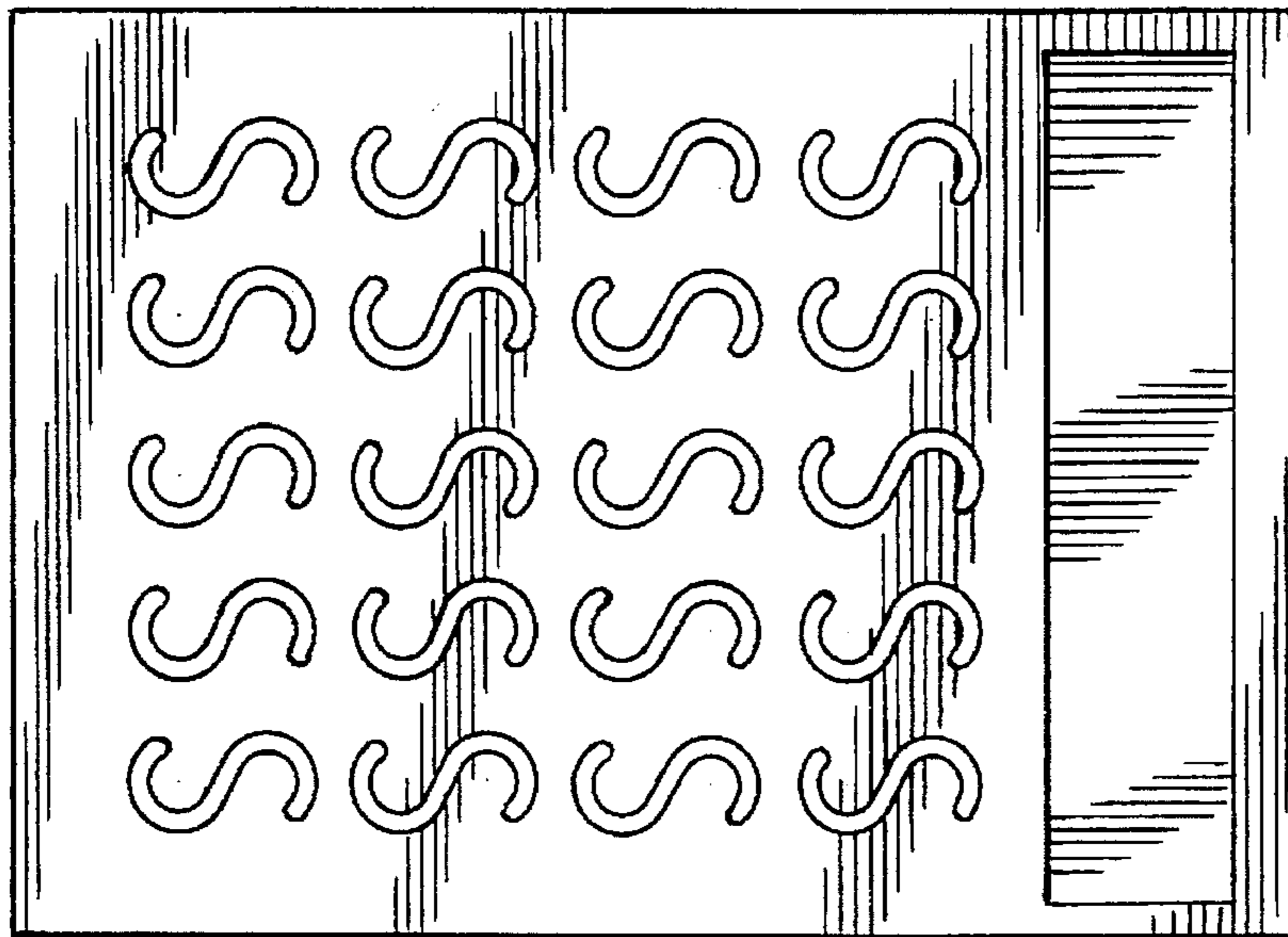


FIG. 2

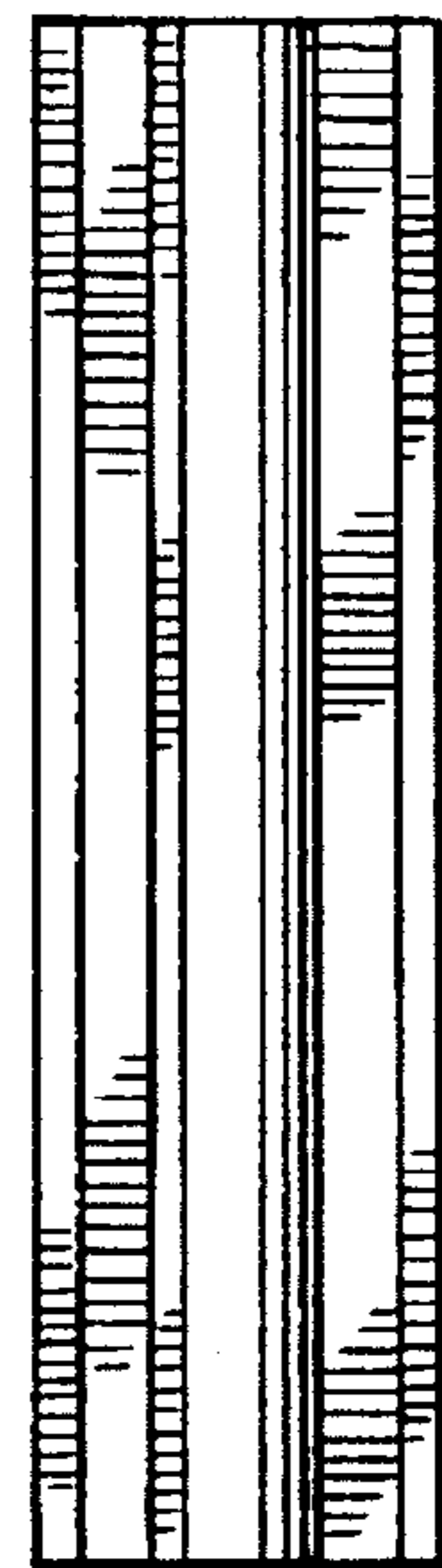


FIG. 3

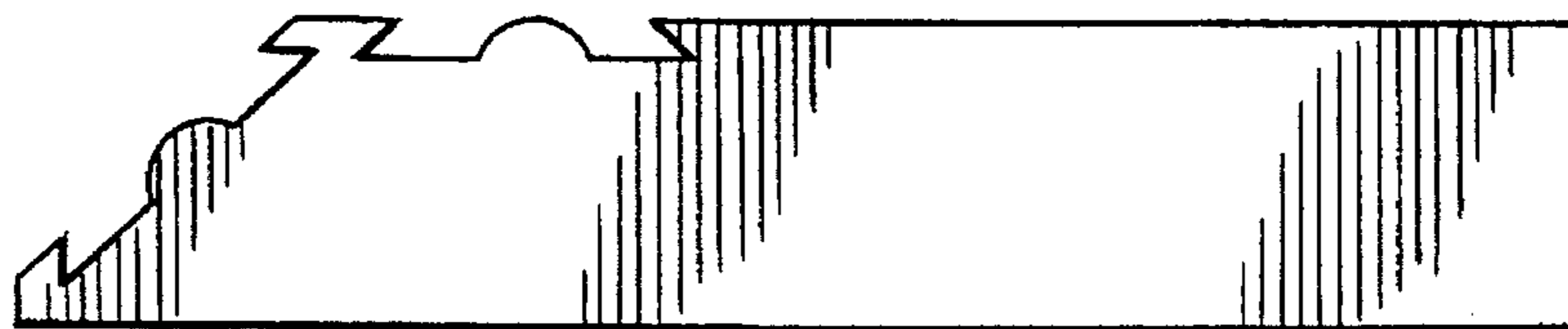


FIG. 4



FIG. 5