



US00D380049S

United States Patent [19] Allen

[11] Patent Number: **Des. 380,049**

[45] Date of Patent: ****Jun. 17, 1997**

[54] **HANDRAIL RIM FOR SPA**

[75] Inventor: **Don T. Allen**, Norman, Okla.

[73] Assignee: **Mapletree Investments**, Norman, Okla.; A Limited Partnership Organized Under the Laws of Oklahoma

[**] Term: **14 Years**

[21] Appl. No.: **8,143**

[22] Filed: **May 11, 1993**

[51] LOC (6) Cl. **23-02**

[52] U.S. Cl. **D24/204; D25/164**

[58] Field of Search D25/2, 119; D24/201-205; D23/315; 52/300; 4/660, 524, 526, 527, 576.1, 577.1, 591

[56] References Cited

U.S. PATENT DOCUMENTS

D. 264,626	5/1982	D'Innocent et al.	D25/2
D. 278,183	3/1985	Myers	D24/204
D. 294,863	3/1988	Kingsley	D24/204

OTHER PUBLICATIONS

Van Huffel Tube Corporation book, dated Feb. 1961, p. 35 article on upper left side, second from top of 1st column labeled 2800/109.

Primary Examiner—Doris Clark
Attorney, Agent, or Firm—Wigman, Cohen, Leitner & Myers, P.C.

[57] CLAIM

The ornamental design for a handrail rim for a spa, as shown and described.

DESCRIPTION

FIG. 1 is a perspective view of a first embodiment showing a handrail rim for a spa according to the design of the present invention;

FIG. 2 is a perspective view of a second embodiment showing a handrail rim for a spa according to the design of the present invention;

FIG. 3 is a perspective view of a third embodiment showing a handrail rim for a spa according to the design of the present invention;

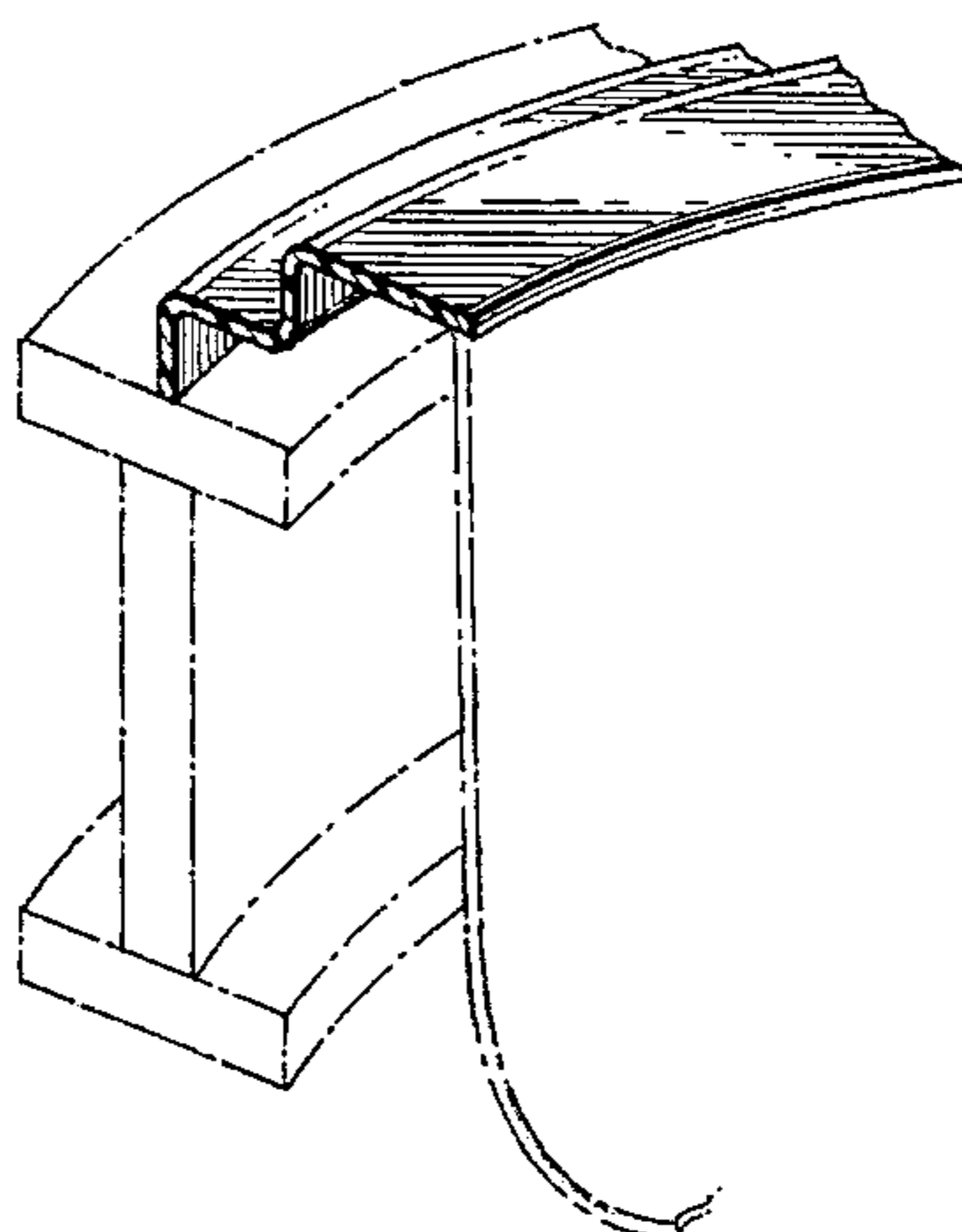
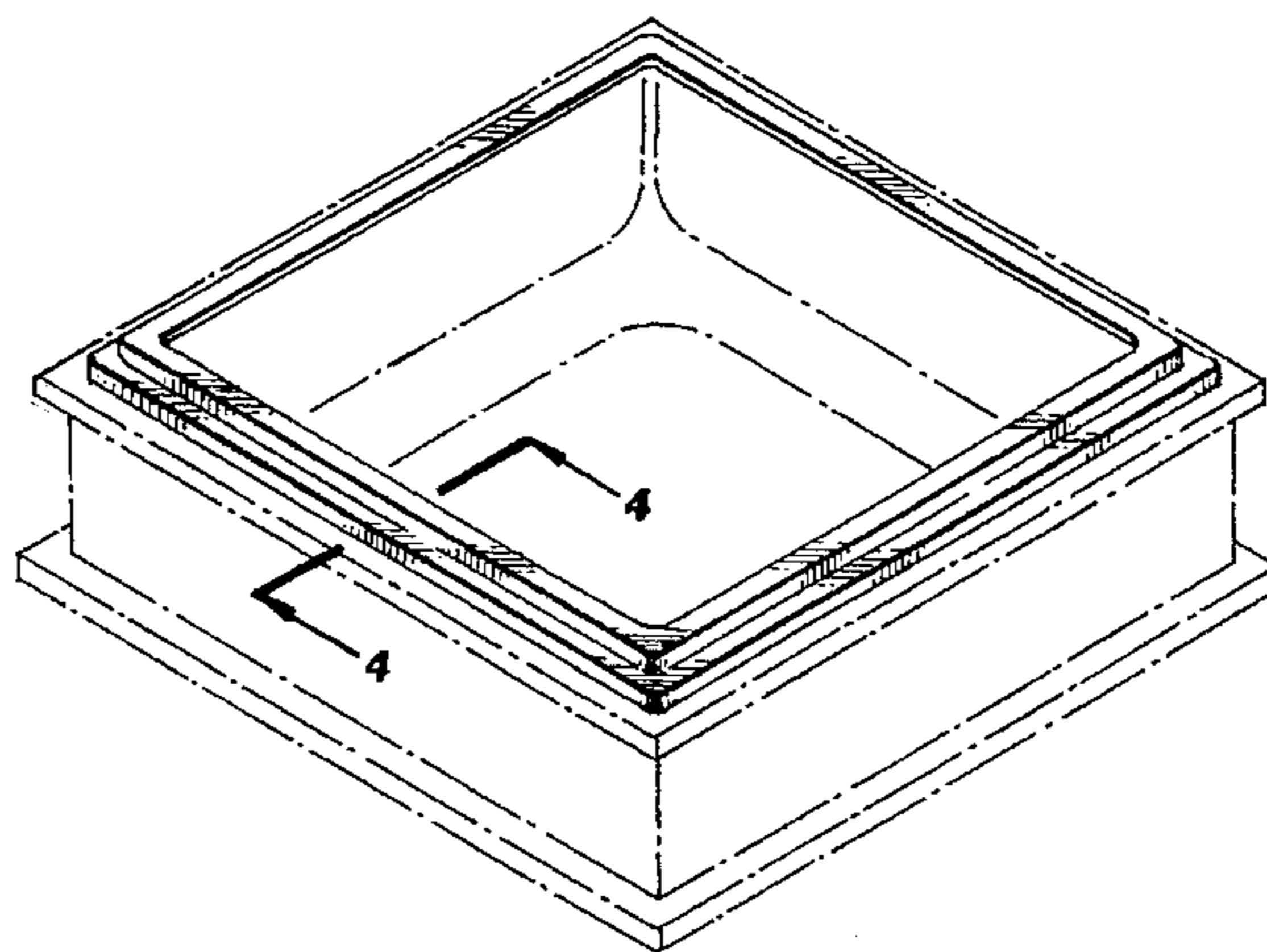
FIG. 4 is a sectional view taken along line 4—4 of FIG. 2;

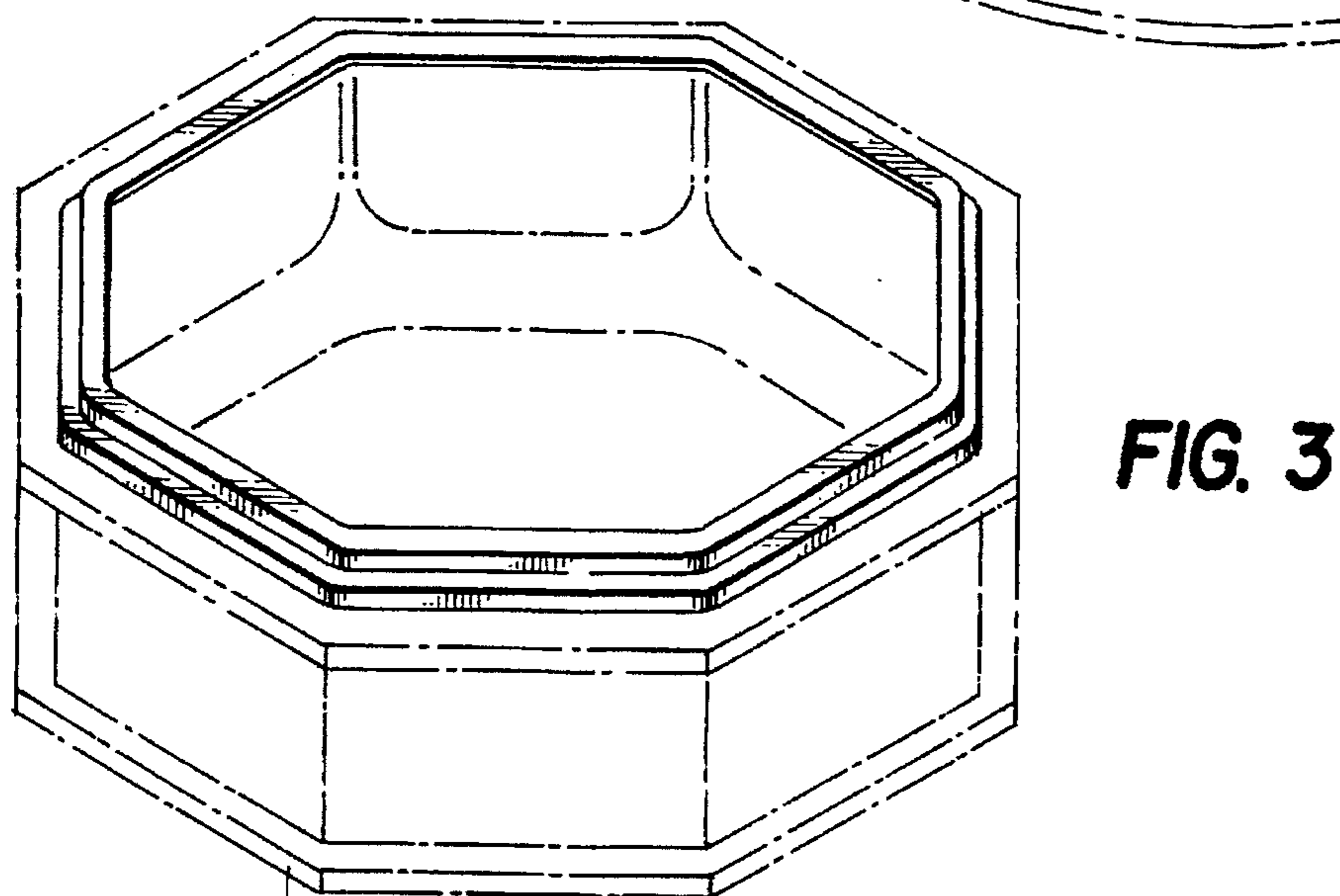
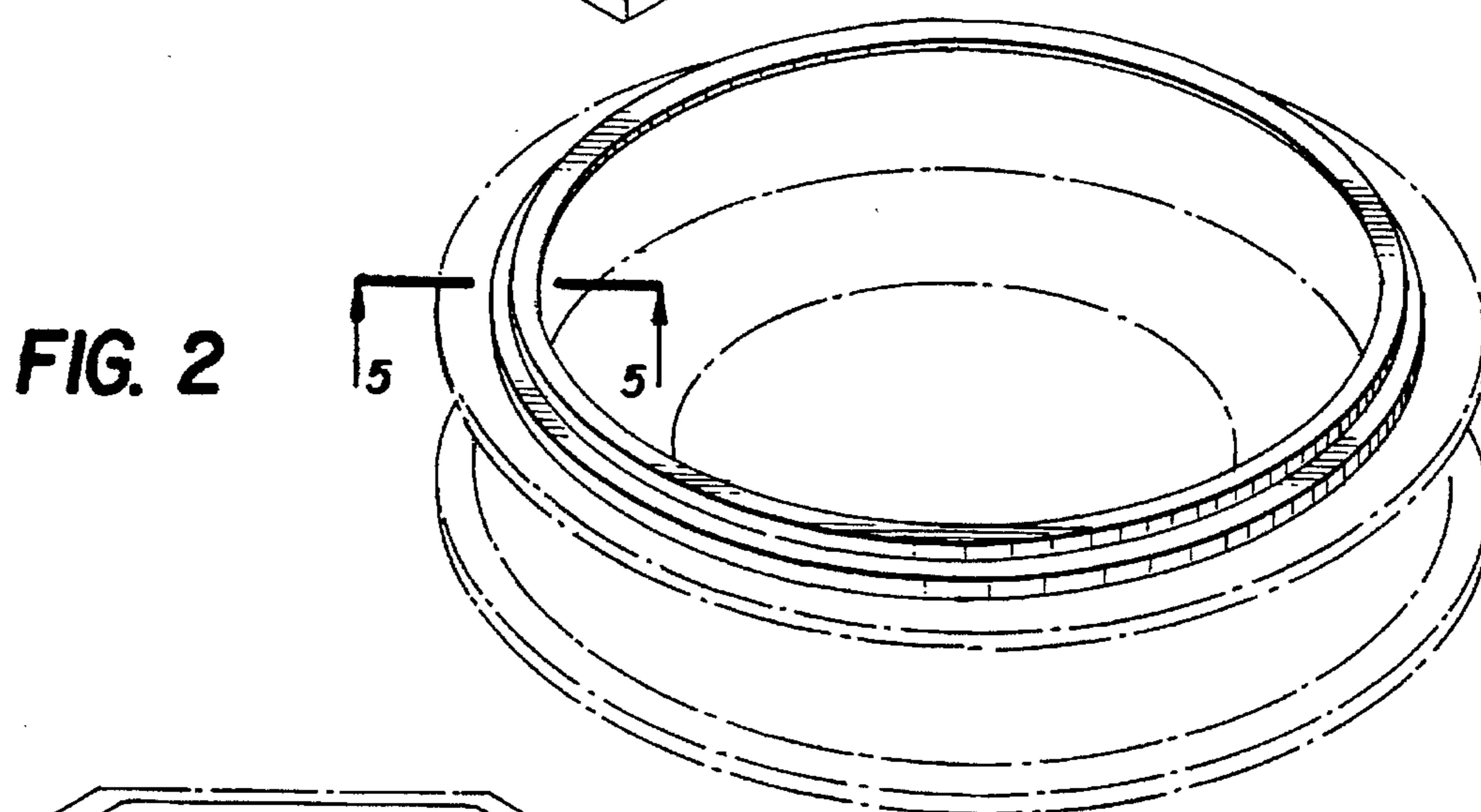
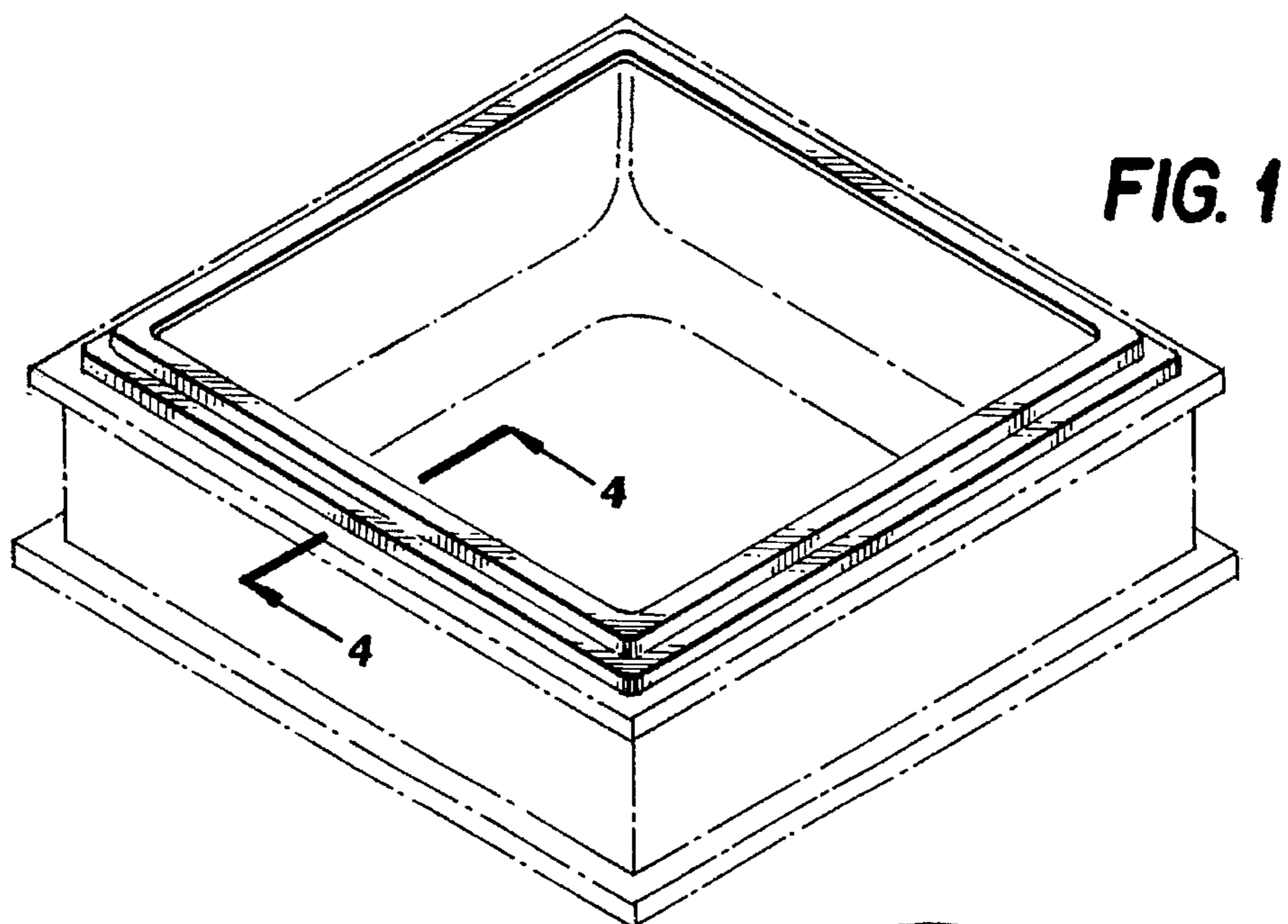
FIG. 5 is a perspective view thereof; and,

FIG. 6 is a partial front elevational view thereof.

The broken lines showing a spa are for illustrative purposes only and do not form a part of the claimed design.

1 Claim, 2 Drawing Sheets





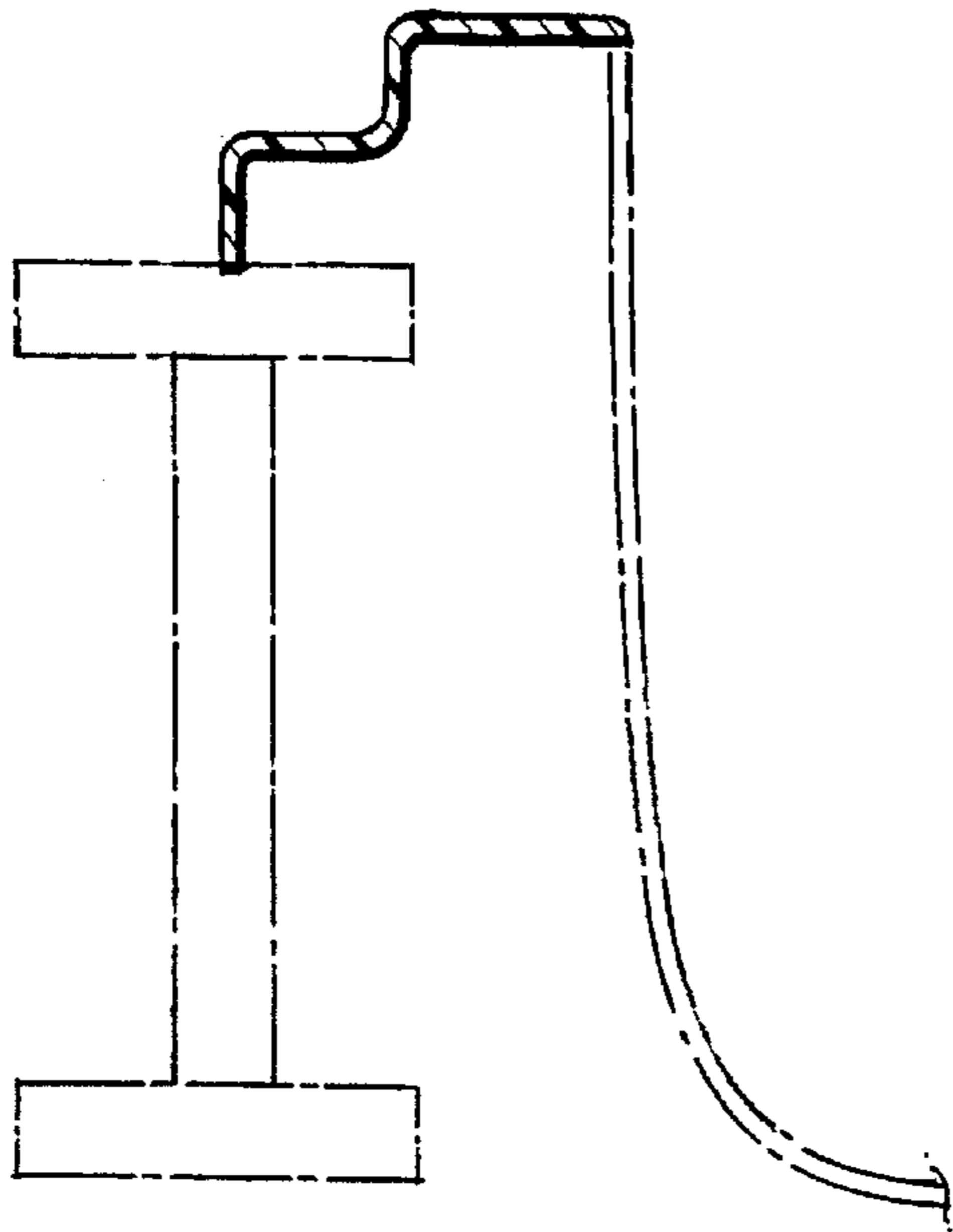


FIG. 4

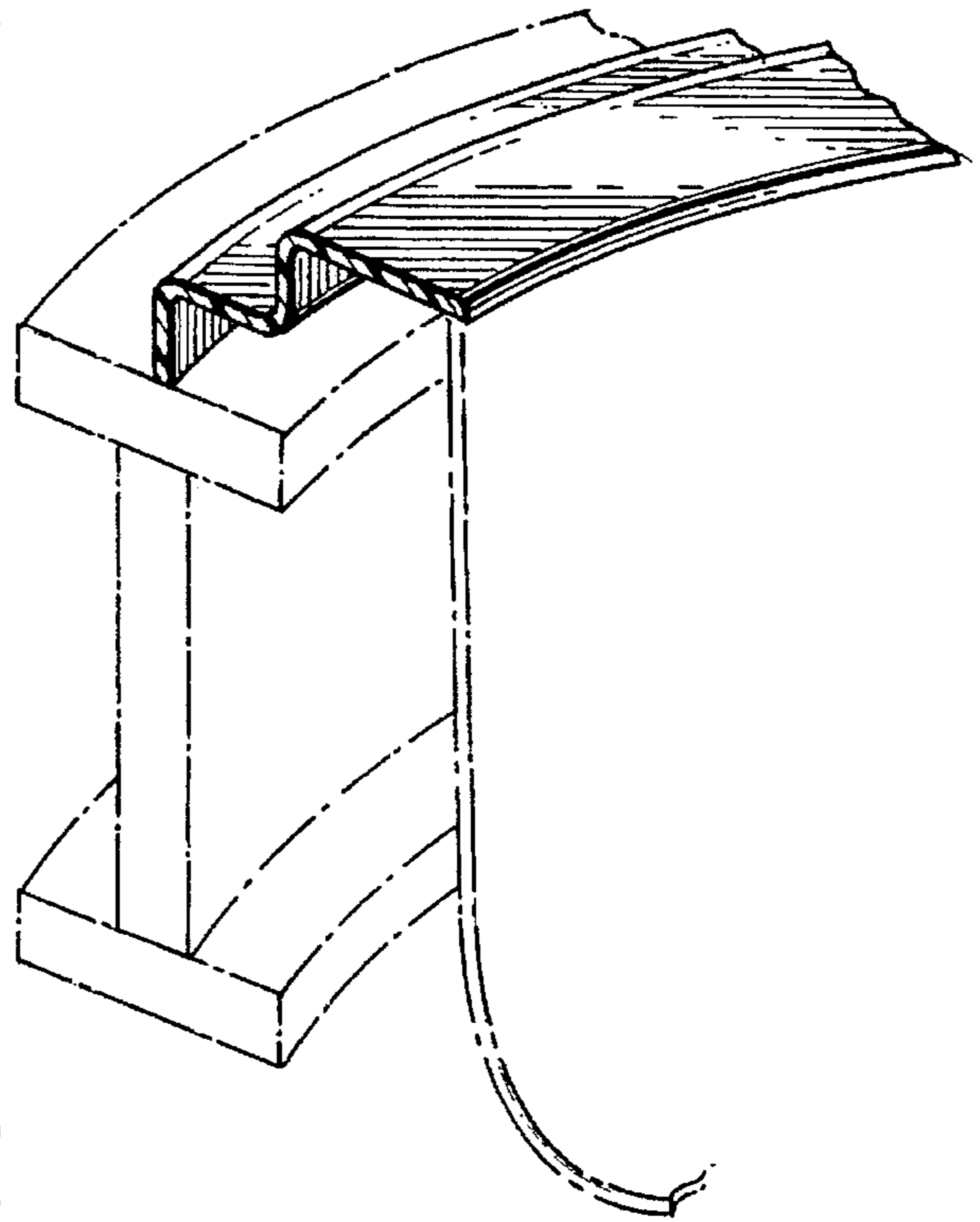


FIG. 5

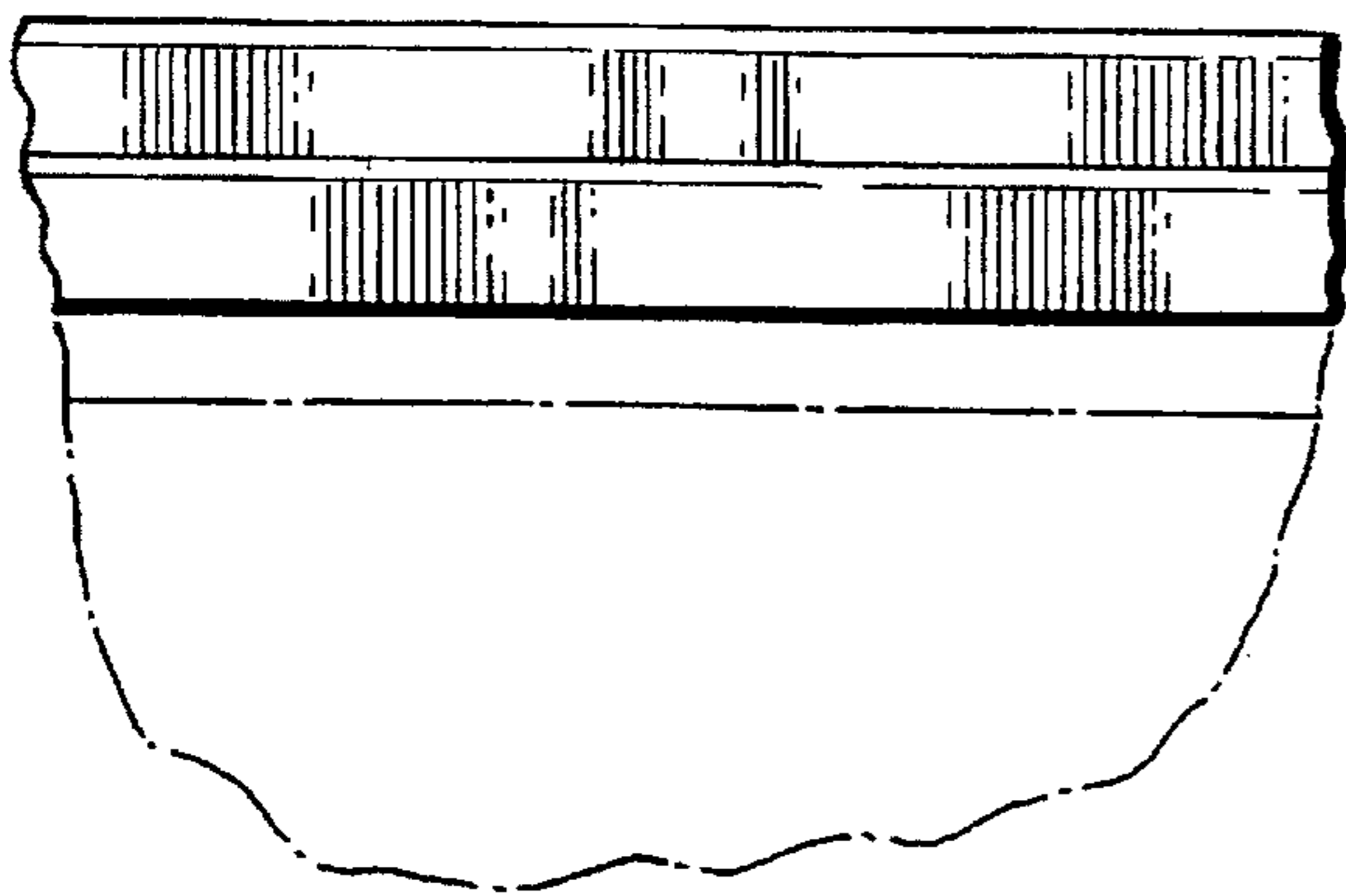


FIG. 6