



US00D380046S

United States Patent [19]
Domanowski

[11] **Patent Number: Des. 380,046**
[45] **Date of Patent: **Jun. 17, 1997**

[54] **TATTOO TIP**

[76] **Inventor: Edmund J. Domanowski, 52 Martin Ter., Woodbridge, N.J. 07095**

[**] **Term: 14 Years**

[21] **Appl. No.: 49,999**

[22] **Filed: Feb. 6, 1996**

[51] **LOC (6) Cl. 24-02**

[52] **U.S. Cl. D24/144; D19/35; D19/50; D19/55**

[58] **Field of Search D24/144, 146, D24/147; D8/30; D19/35, 36, 41-51, 53-58, 81-85; 81/9.22; 30/362; 128/253**

[56] **References Cited**

U.S. PATENT DOCUMENTS

D. 224,672	8/1972	Geraci	D24/147
D. 281,512	11/1985	Kobori	D19/55
D. 294,388	2/1988	Hardy, Jr. et al.	D19/35 X
D. 294,519	3/1988	Hardy, Jr.	D19/35 X
D. 333,152	2/1993	Anavil et al.	D19/55
4,159,659	7/1979	Nightingale .	
4,204,438	5/1980	Binaris et al. .	
4,671,277	6/1987	Beuchat .	
4,798,582	1/1989	Sarath et al. .	
4,862,772	9/1989	Piperato .	
5,279,552	1/1994	Magnet .	
5,401,242	3/1995	Yacowitz .	

Primary Examiner—Martie Thompson
Attorney, Agent, or Firm—Richard C. Litman

[57] **CLAIM**

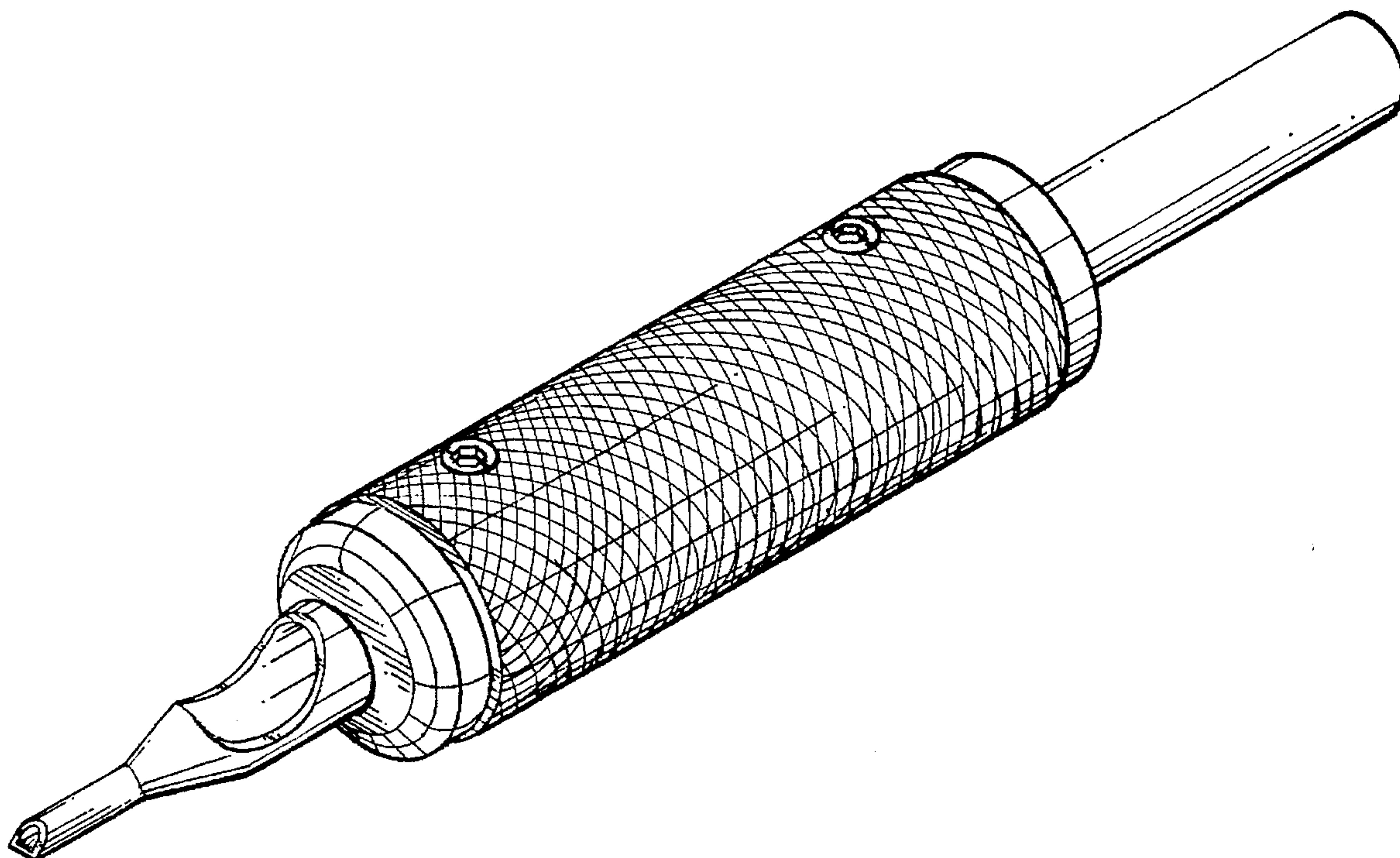
The ornamental design for a tattoo tip, as shown and described.

DESCRIPTION

FIG. 1 is a perspective view of a first embodiment of a tattoo tip showing my new design;
 FIG. 2 is a front elevational view thereof;
 FIG. 3 is a rear elevational view thereof;
 FIG. 4 is a top view thereof;
 FIG. 5 is a bottom view thereof;
 FIG. 6 is a right side elevational view with the left side being a mirror image thereof;
 FIG. 7 is a perspective view of a second embodiment thereof;
 FIG. 8 is a rear elevational view thereof;
 FIG. 9 is a front elevational view thereof;
 FIG. 10 is a right side elevational view with the left side being a mirror image thereof;
 FIG. 11 is a bottom plan view thereof;
 FIG. 12 is a perspective view of a third embodiment thereof;
 FIG. 13 is a front elevational view thereof;
 FIG. 14 is a rear elevational view thereof;
 FIG. 15 is a bottom plan view thereof; and,
 FIG. 16 is a right side elevational view with the left side being a mirror image thereof.

The undisclosed top plan views of the second and third embodiments are identical to the top plan view of the first embodiment.

1 Claim, 12 Drawing Sheets



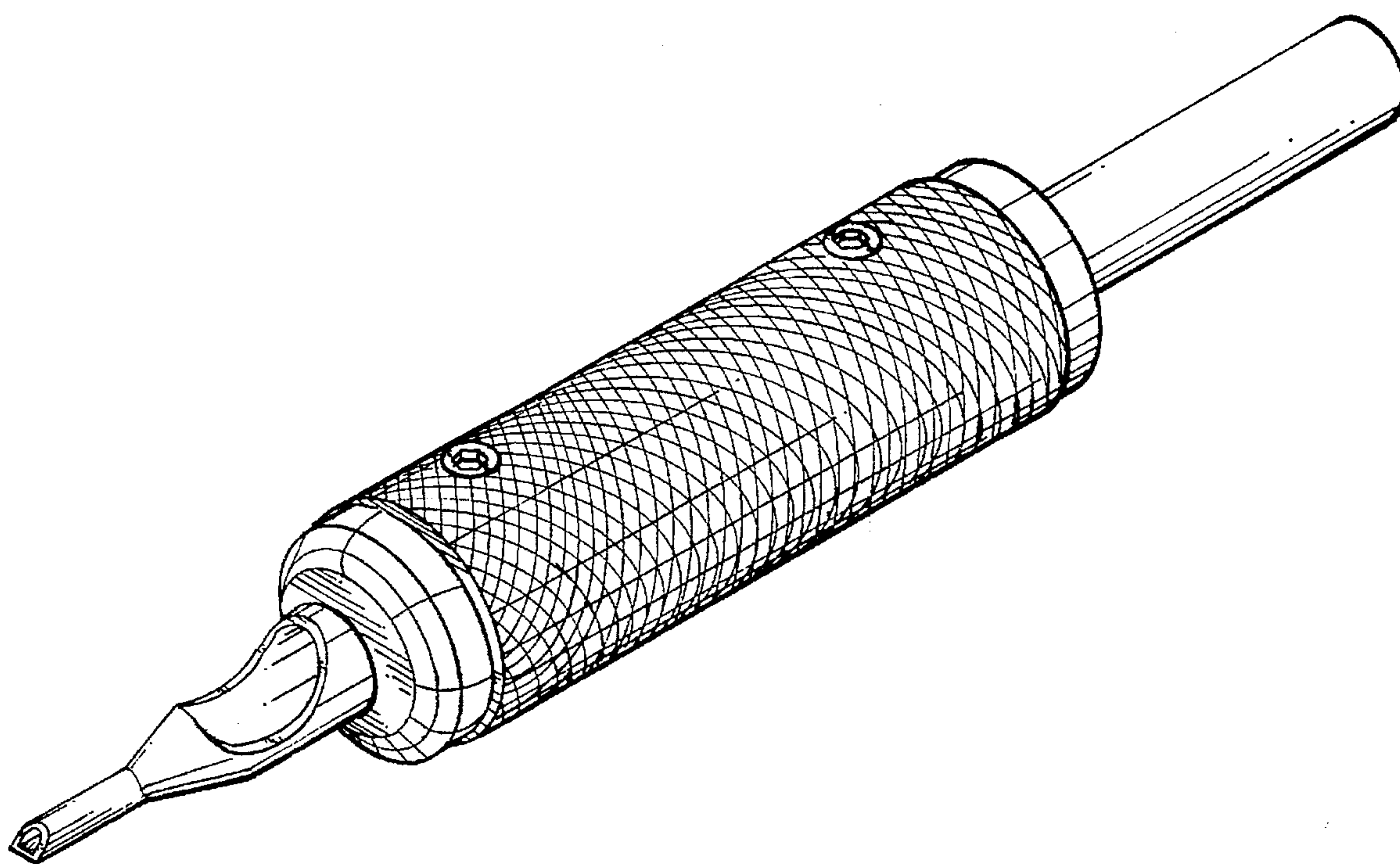


FIG. 1

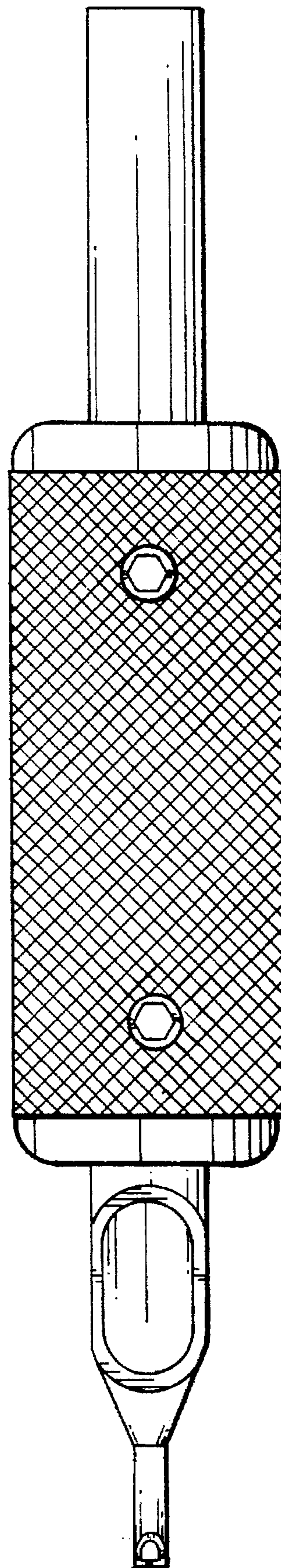


FIG. 2

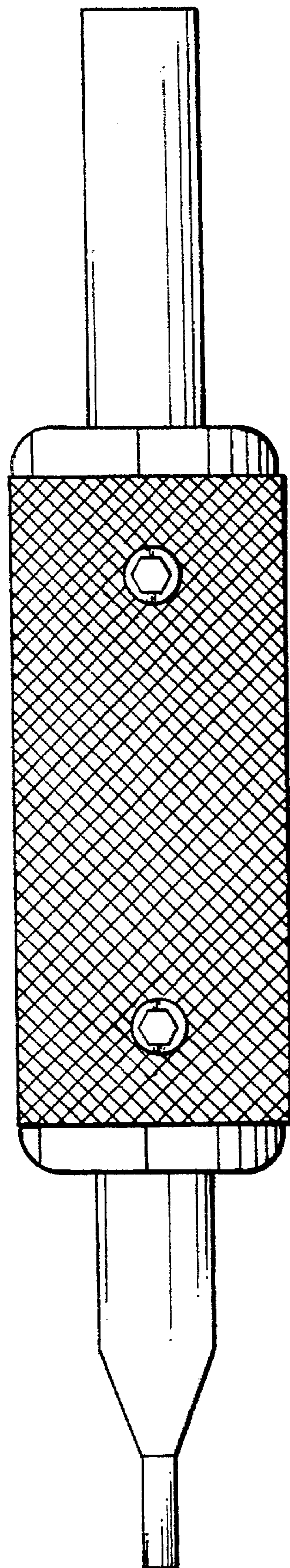


FIG. 3

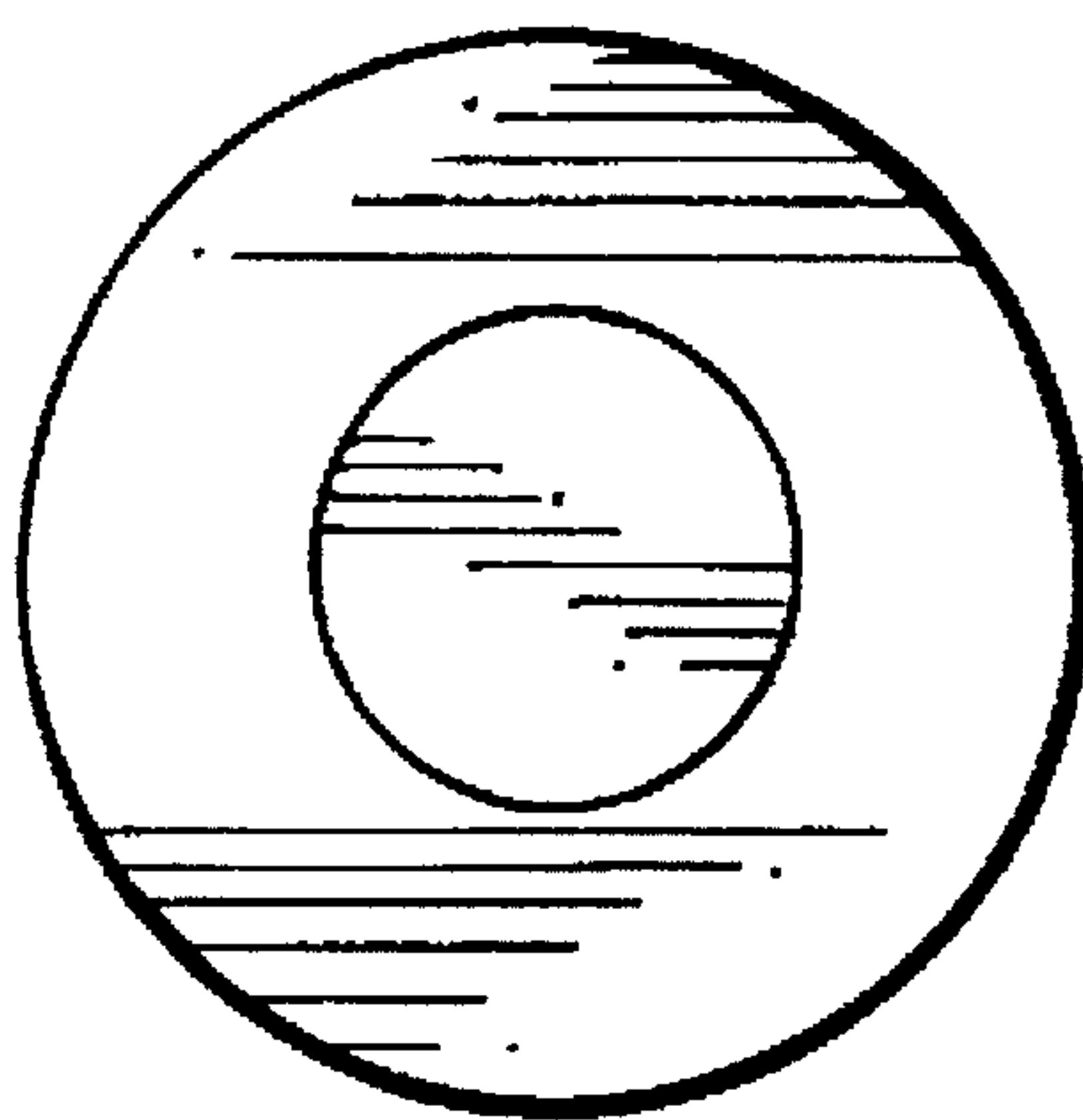


FIG. 4

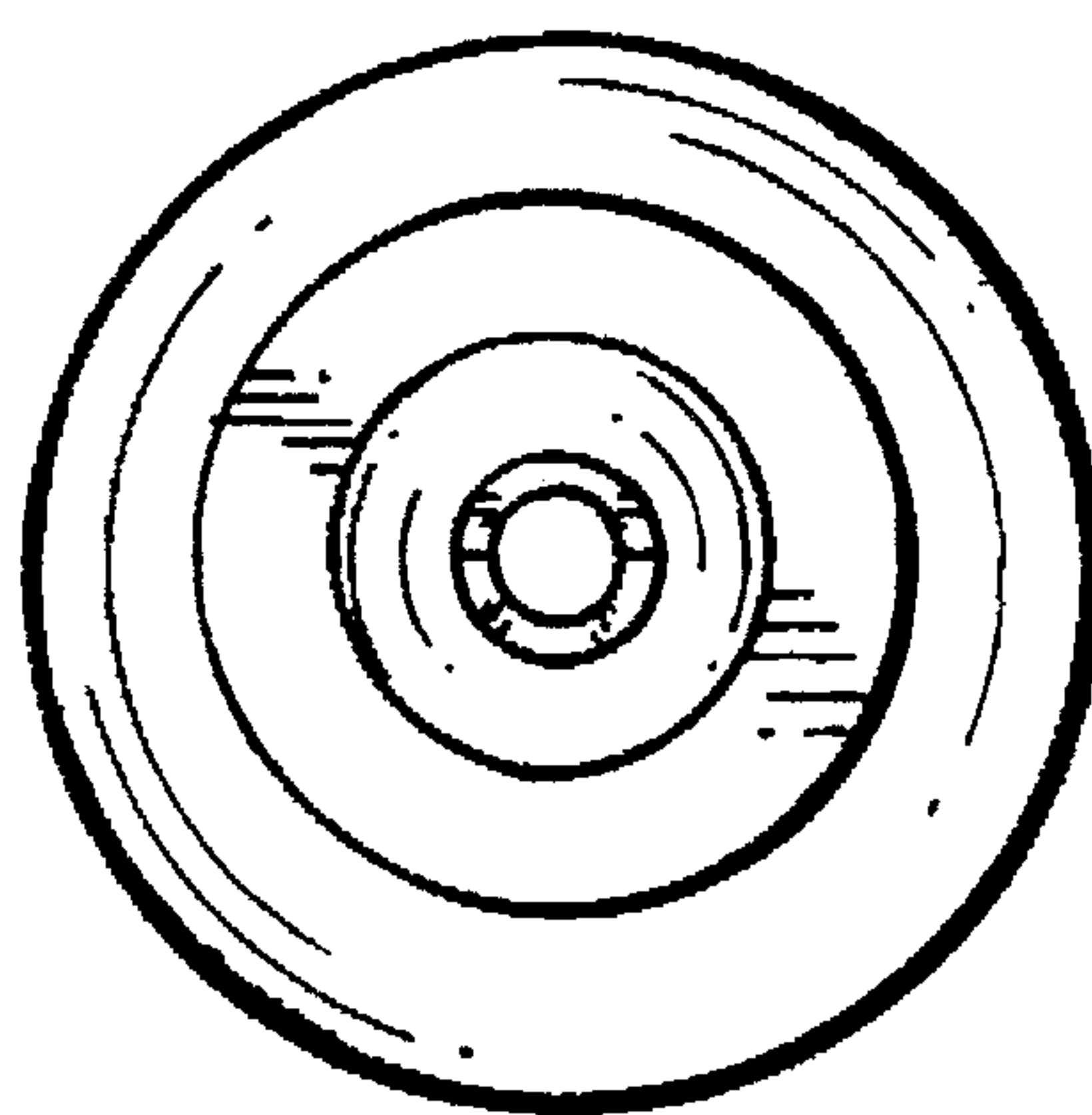


FIG. 5

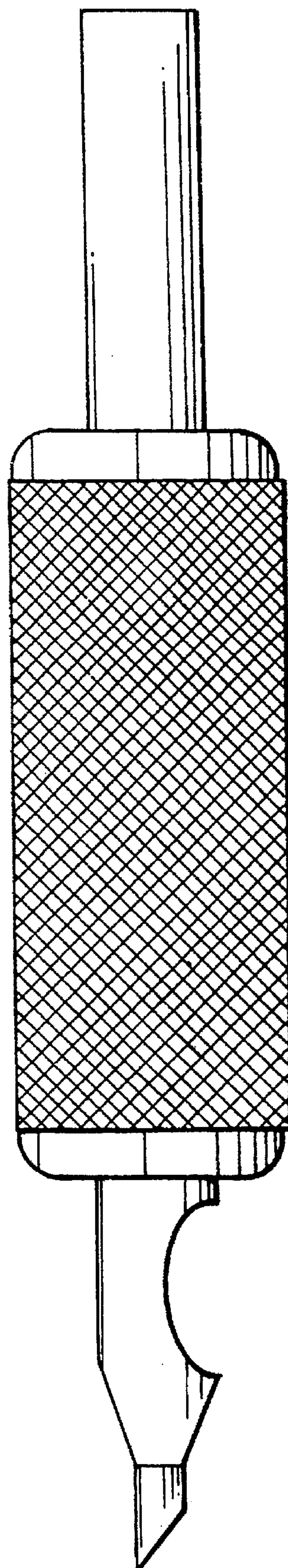


FIG. 6

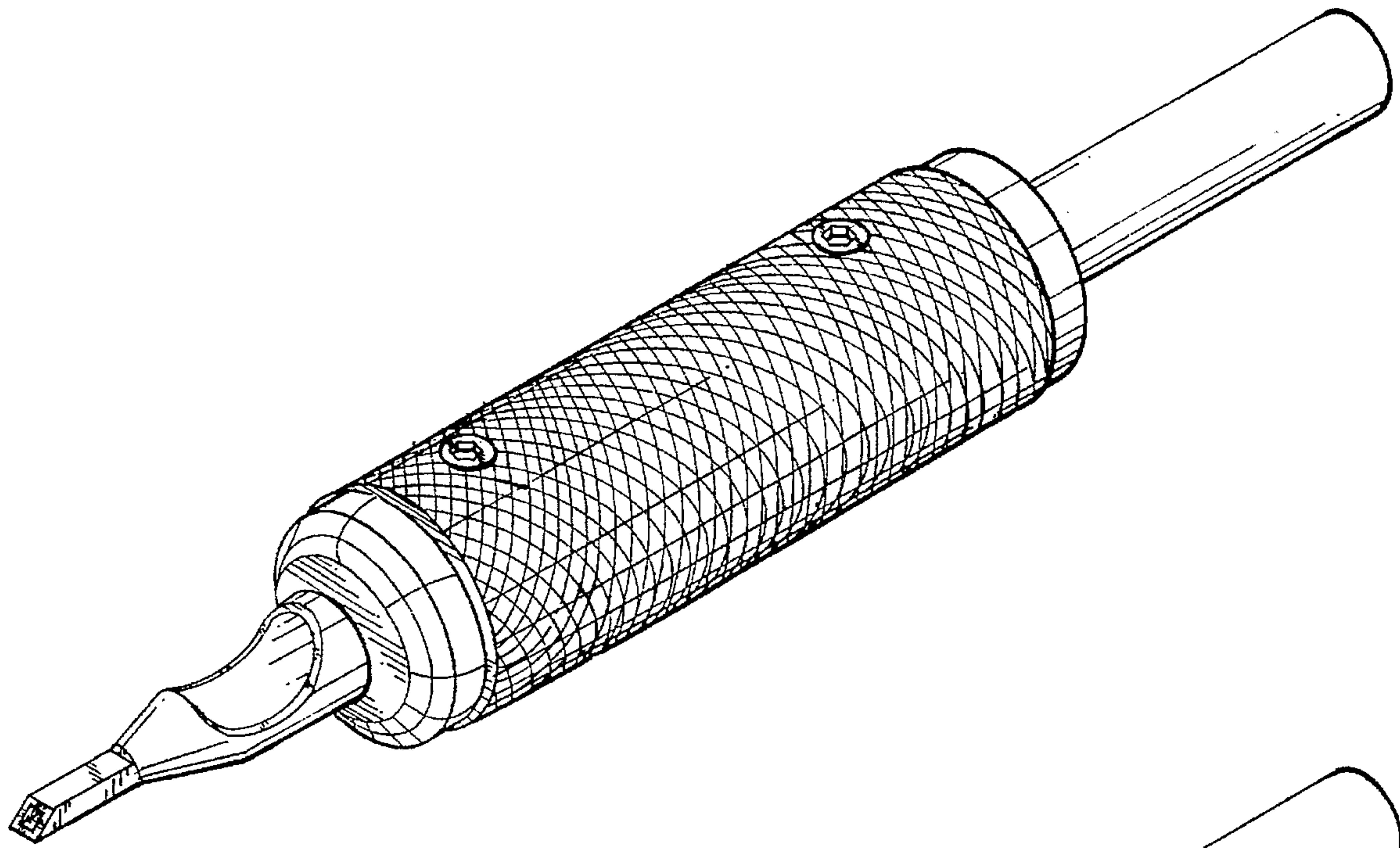


FIG. 7

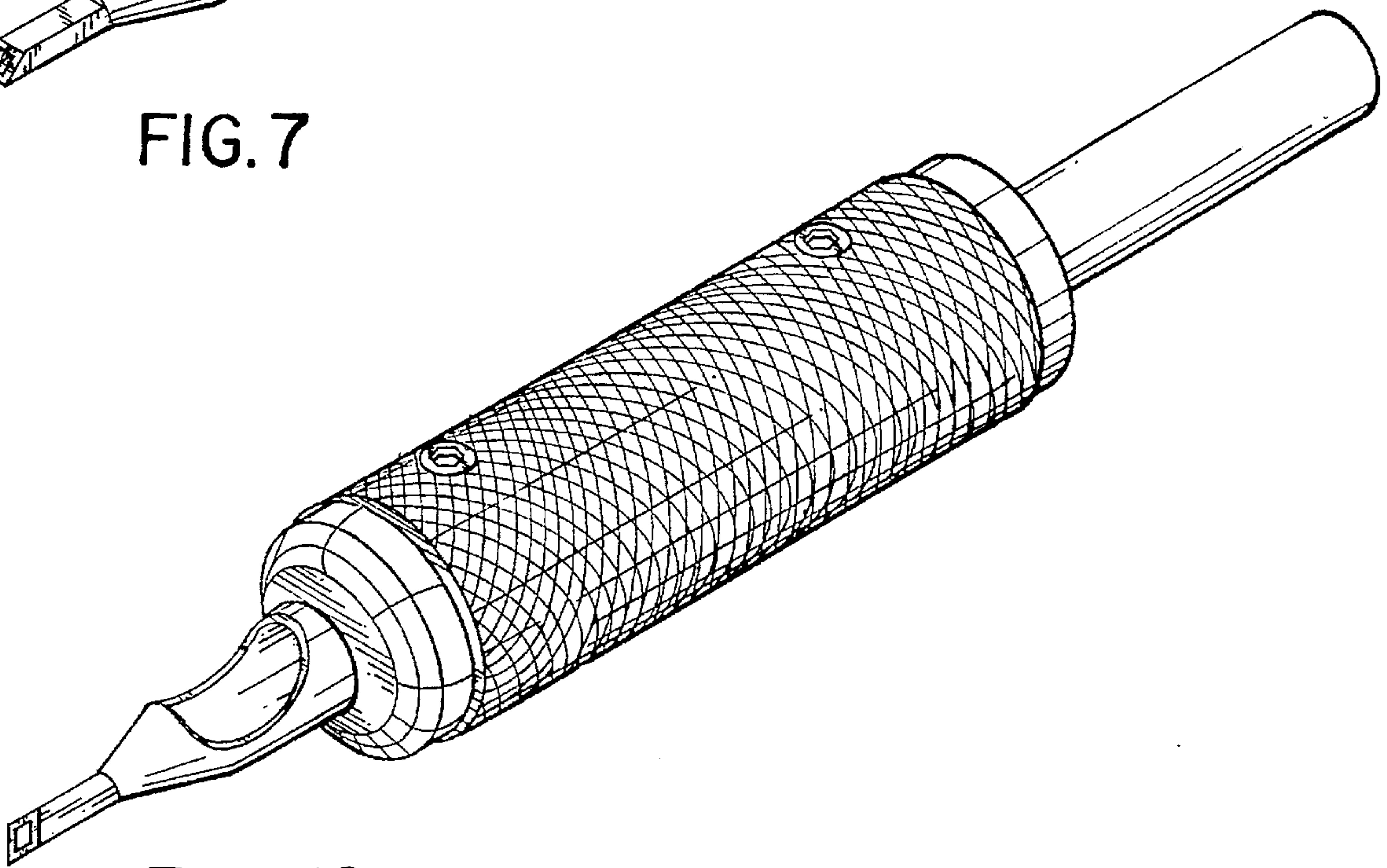


FIG. 12

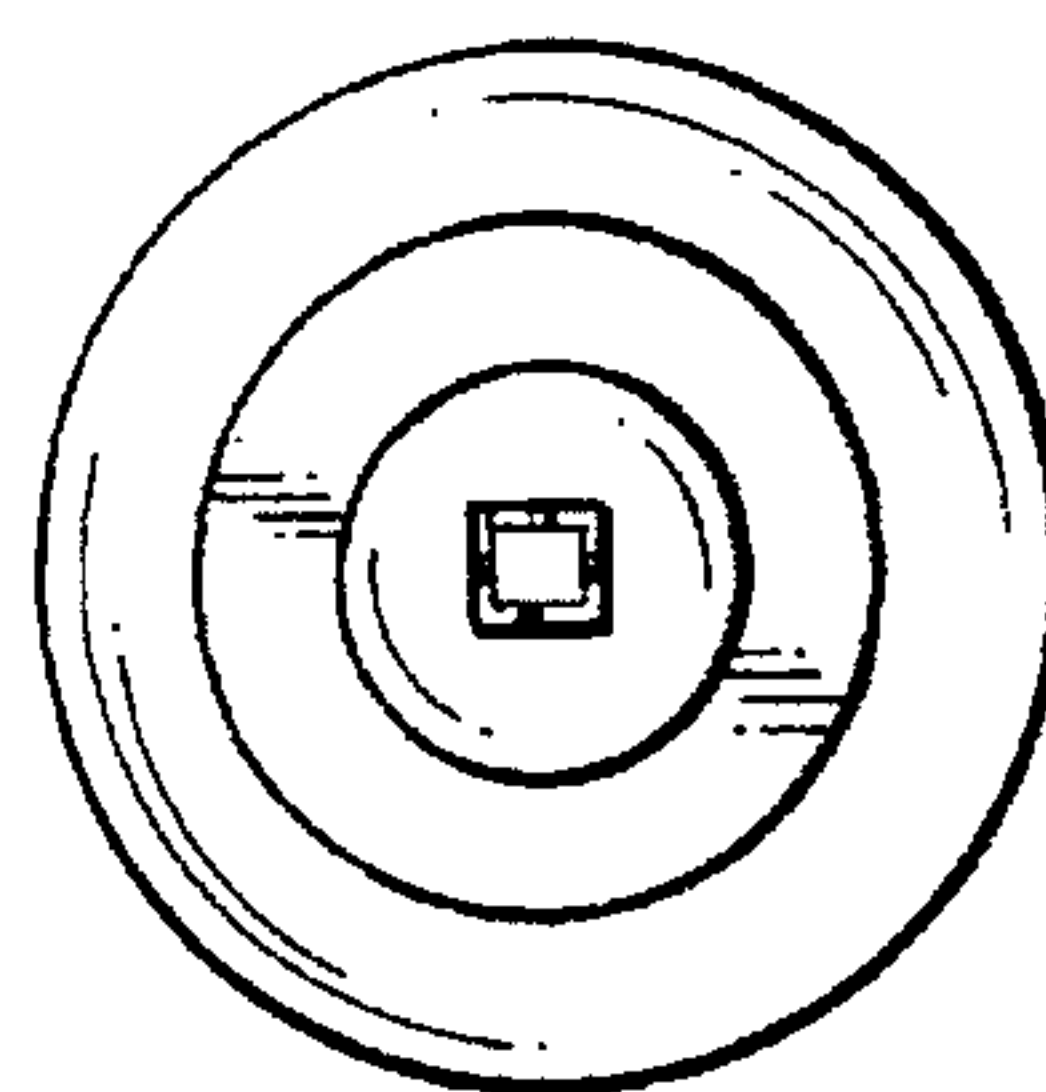


FIG. II

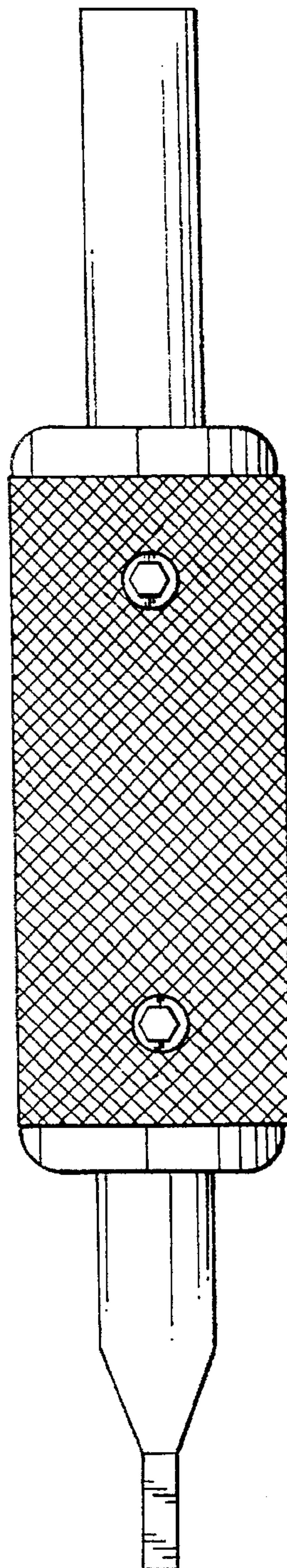


FIG. 8

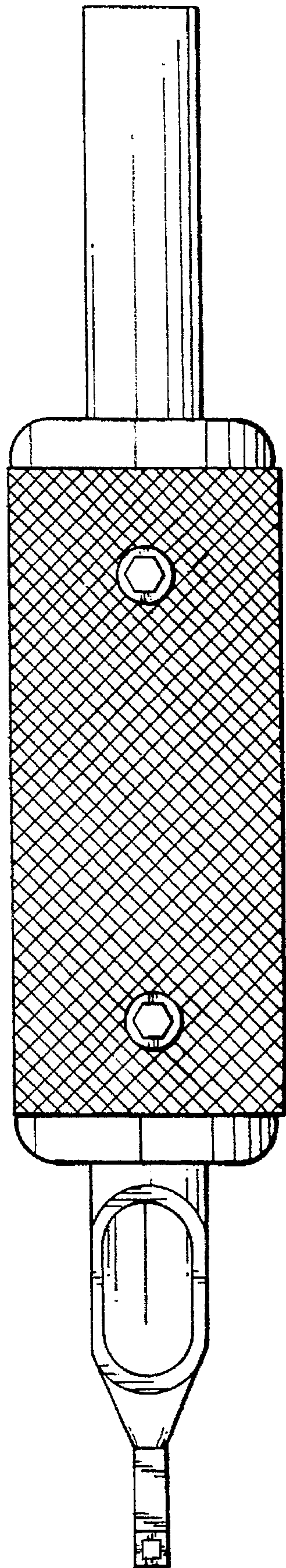


FIG. 9

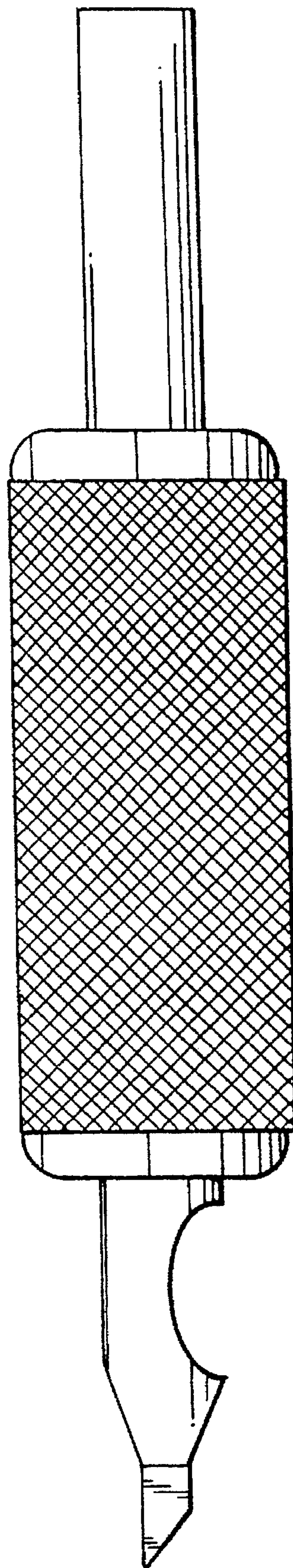


FIG. 10

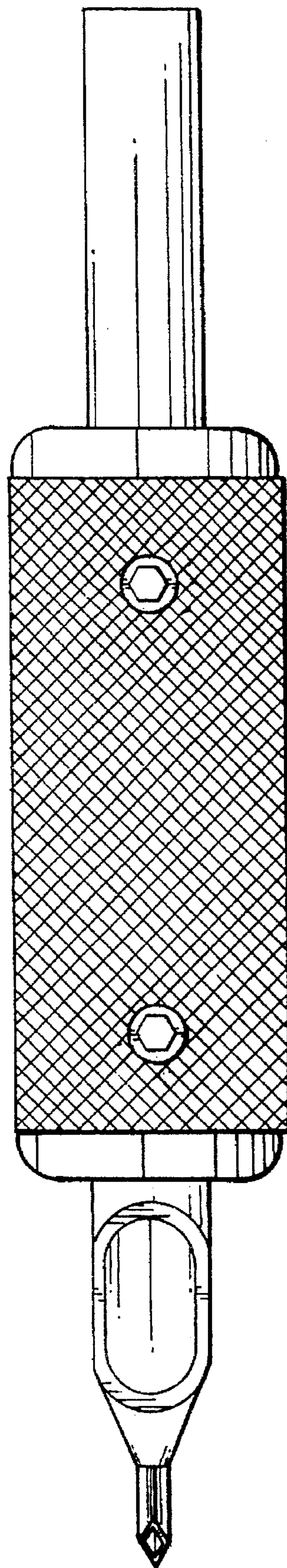


FIG. 13

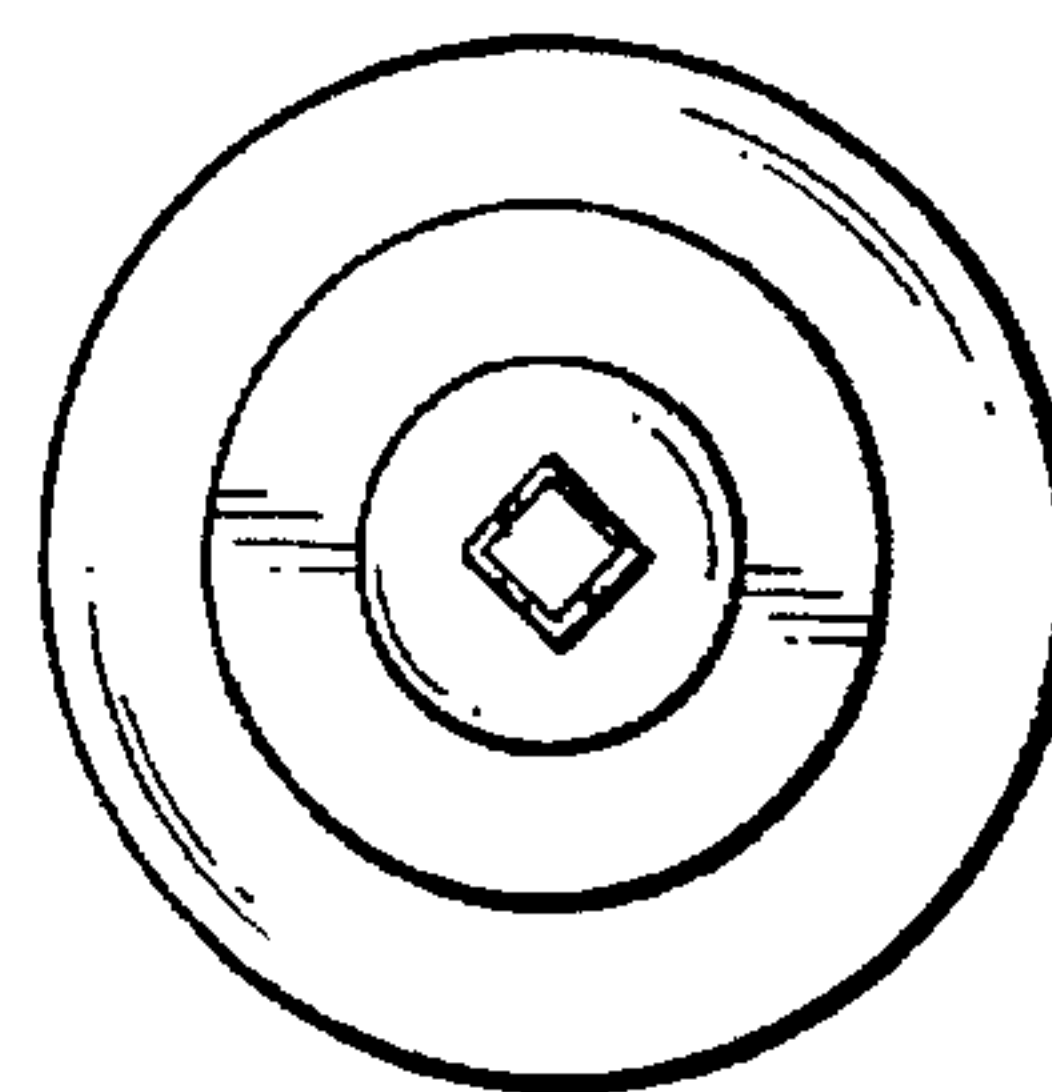


FIG. 15

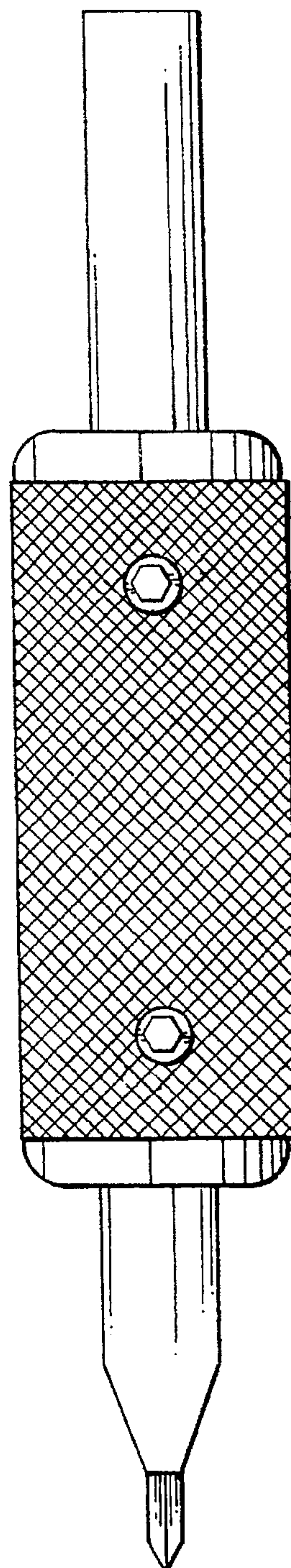


FIG. 14

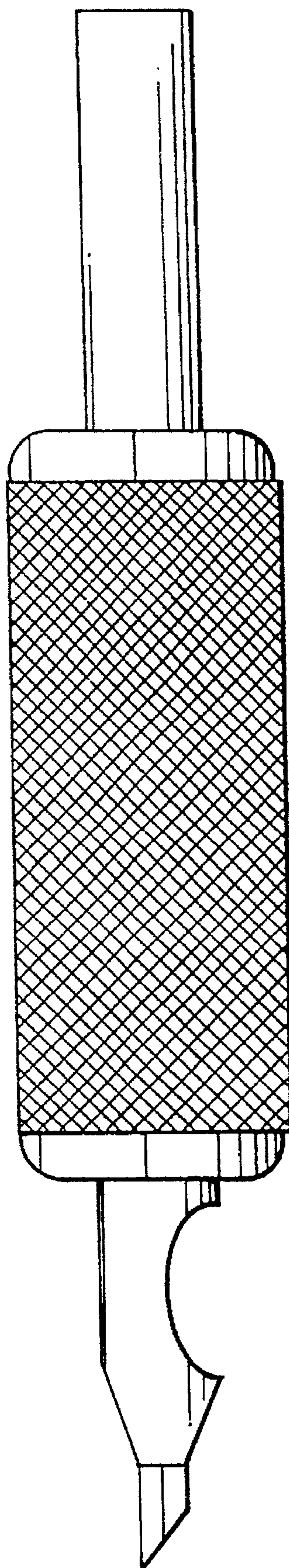


FIG. 16