



US00D380044S

United States Patent [19]
Tobias

[11] **Patent Number: Des. 380,044**
[45] **Date of Patent: **Jun. 17, 1997**

[54] **COMBINED TURBINE EXHAUST VENT AND VENT HATCH COVER**

[76] **Inventor: Stewart Tobias, 2215 73 St. E. Box 303, Palmetto, Fla. 34221**

[**] **Term: 14 Years**

[21] **Appl. No.: 29,301**

[22] **Filed: Oct. 3, 1994**

[51] **LOC (6) Cl. 23-04**

[52] **U.S. Cl. D23/375; D23/371**

[58] **Field of Search D23/371, 375, D23/393; 416/197 A, 55; 454/18, 136, 163**

[56] **References Cited**

U.S. PATENT DOCUMENTS

3,934,383	1/1976	Perry et al.	454/136
4,130,966	12/1978	Kujawa, Jr. et al.	454/136
4,287,816	9/1981	Riccard	454/18
5,326,313	7/1994	Miniat	454/18

FOREIGN PATENT DOCUMENTS

2020006	11/1979	United Kingdom	454/136
---------	---------	---------------------	---------

Primary Examiner—Lisa P. Lichtenstein

Attorney, Agent, or Firm—Franklin J. Cona

[57] **CLAIM**

The ornamental design for a combined turbine exhaust vent and vent hatch cover, as shown and described.

DESCRIPTION

FIG. 1 is a perspective view of the design;
 FIG. 2 is a perspective view of the design installed on the roof of a recreational vehicle;
 FIG. 3 is an exploded view of the design as shown in FIG. 1;
 FIG. 4 is a top plan view of the design as shown in FIG. 1;
 FIG. 5 is a bottom plan view of the design as shown in FIG. 1;
 FIG. 6 is a front elevational view of the design as shown in FIG. 1;
 FIG. 7 is a rear elevational view of the design as shown in FIG. 1;
 FIG. 8 is a right side elevational view of the design as shown in FIG. 1; and,
 FIG. 9 is a left side elevational view of the design as shown in FIG. 1.
 The broken line showing of environmental structure in FIGS. 2 and 3 is for illustrative purposes only and forms no part of the claimed design.

1 Claim, 5 Drawing Sheets

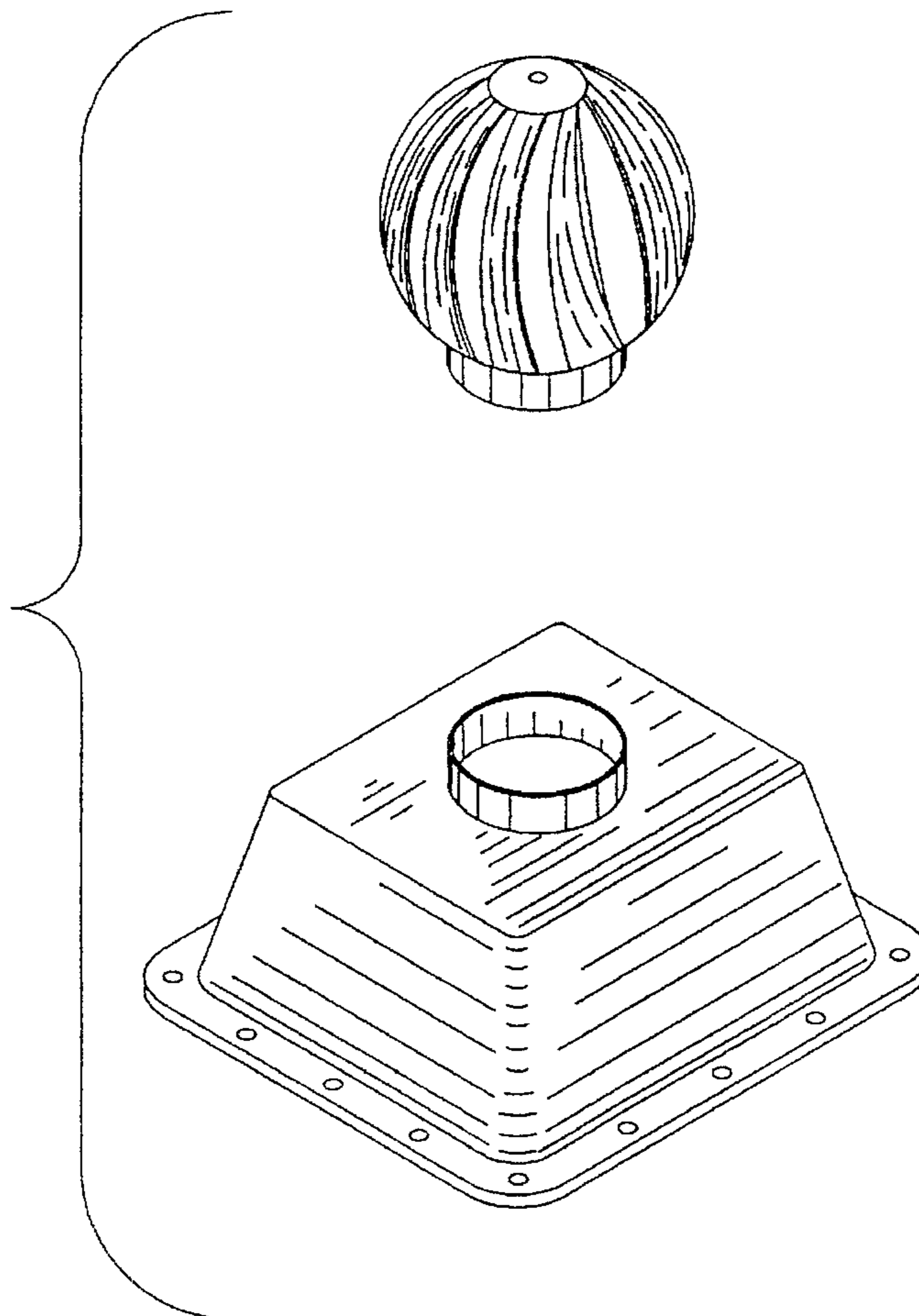


FIGURE 3

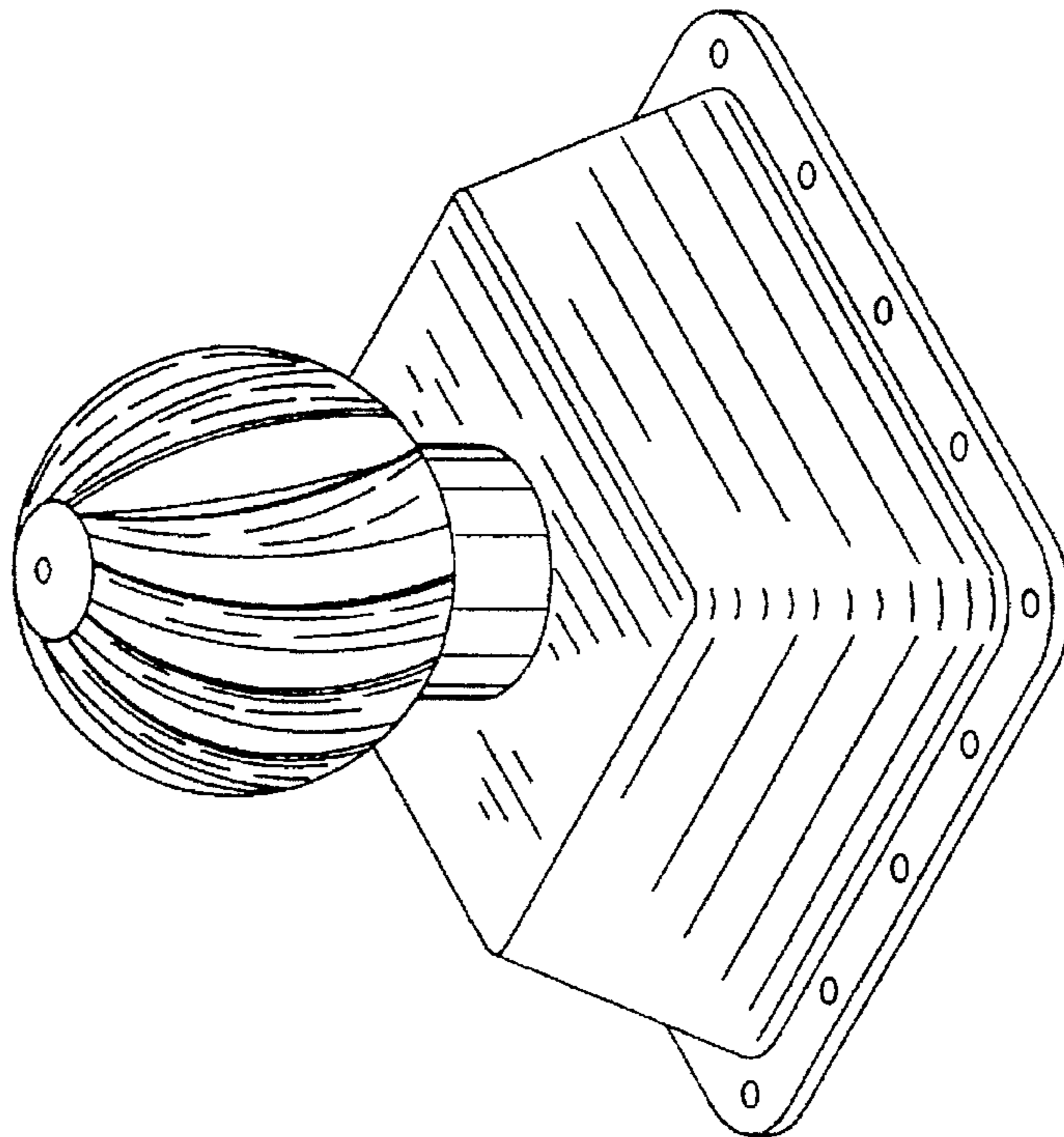
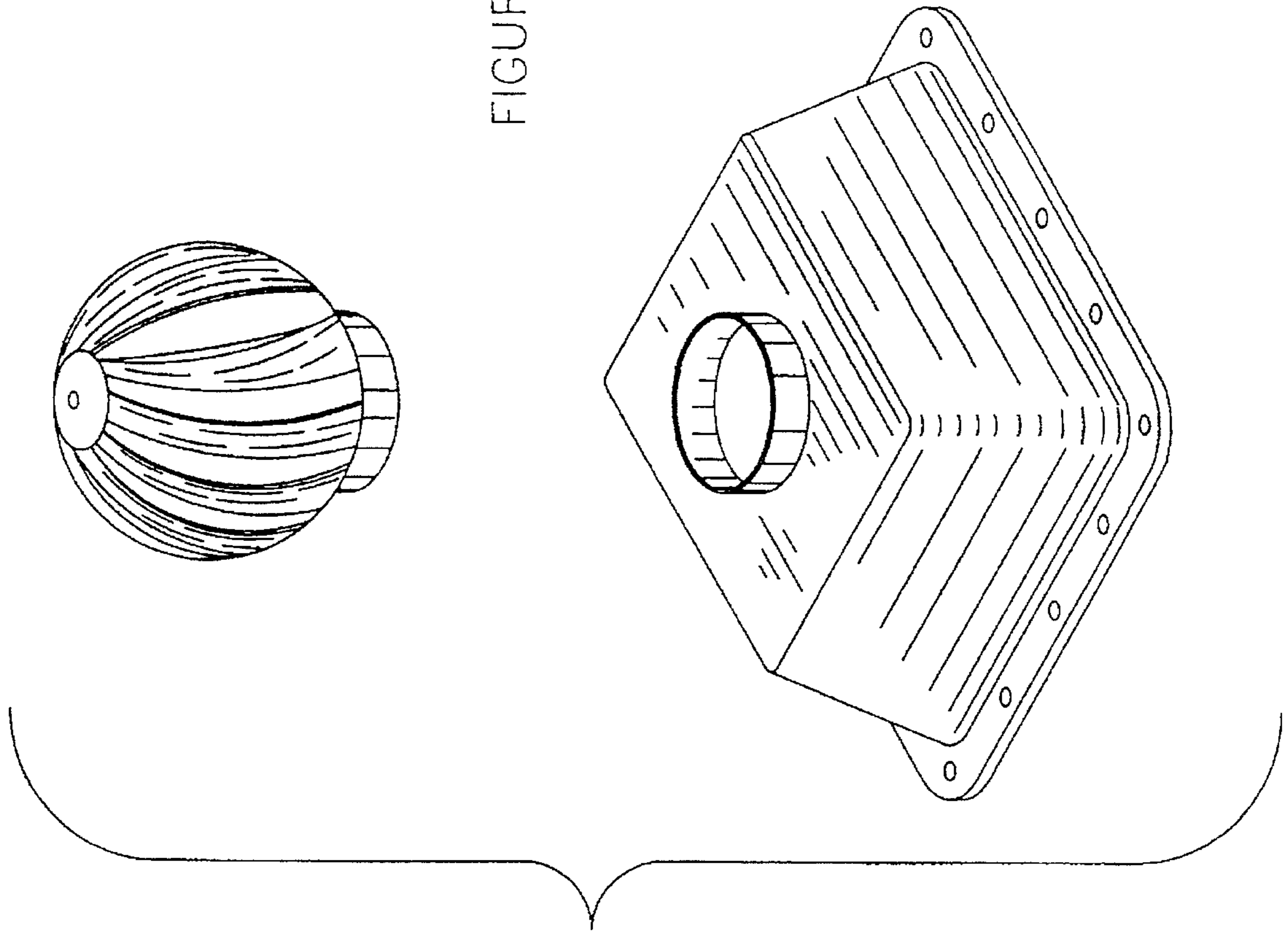


FIGURE 1

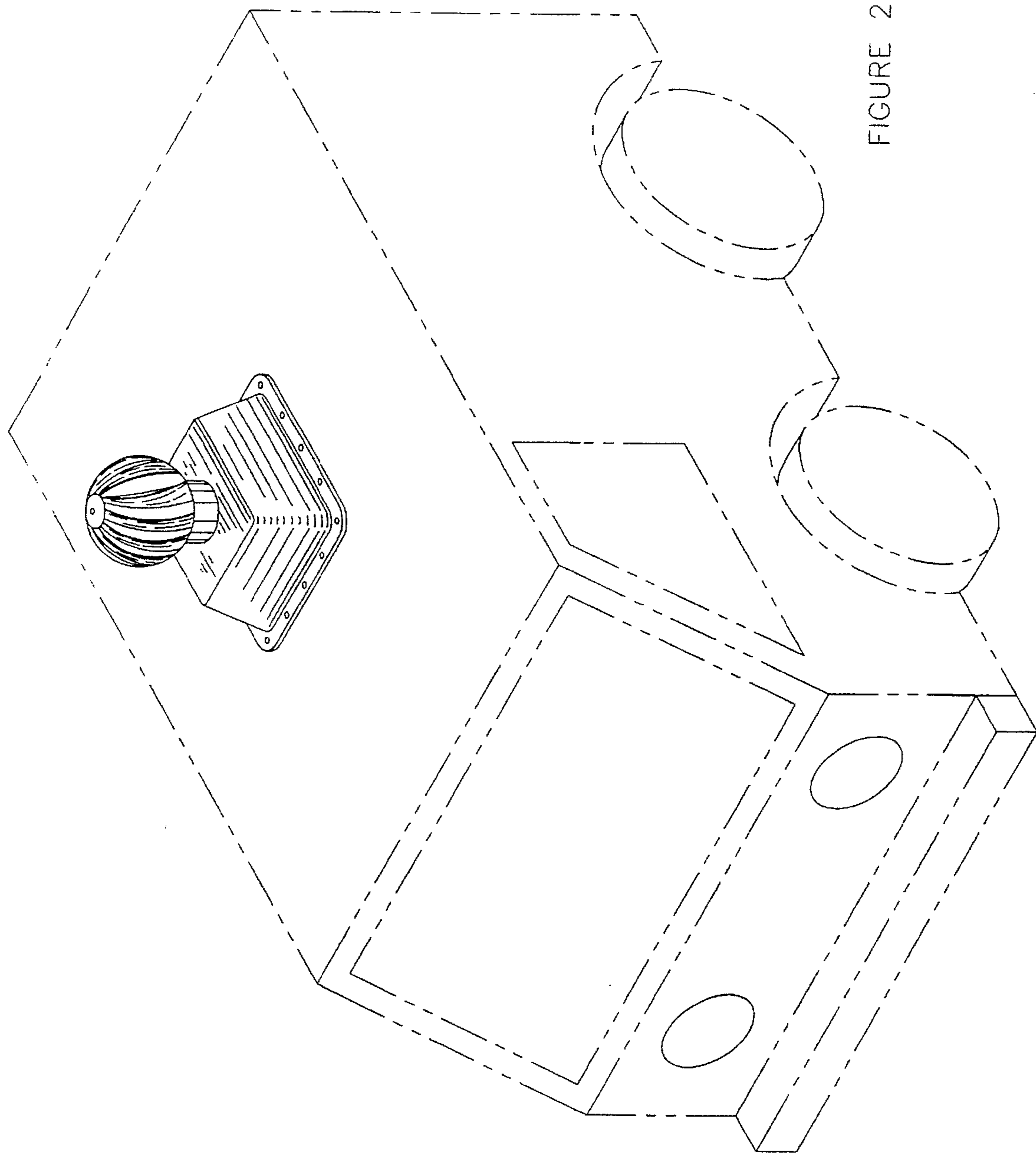


FIGURE 2

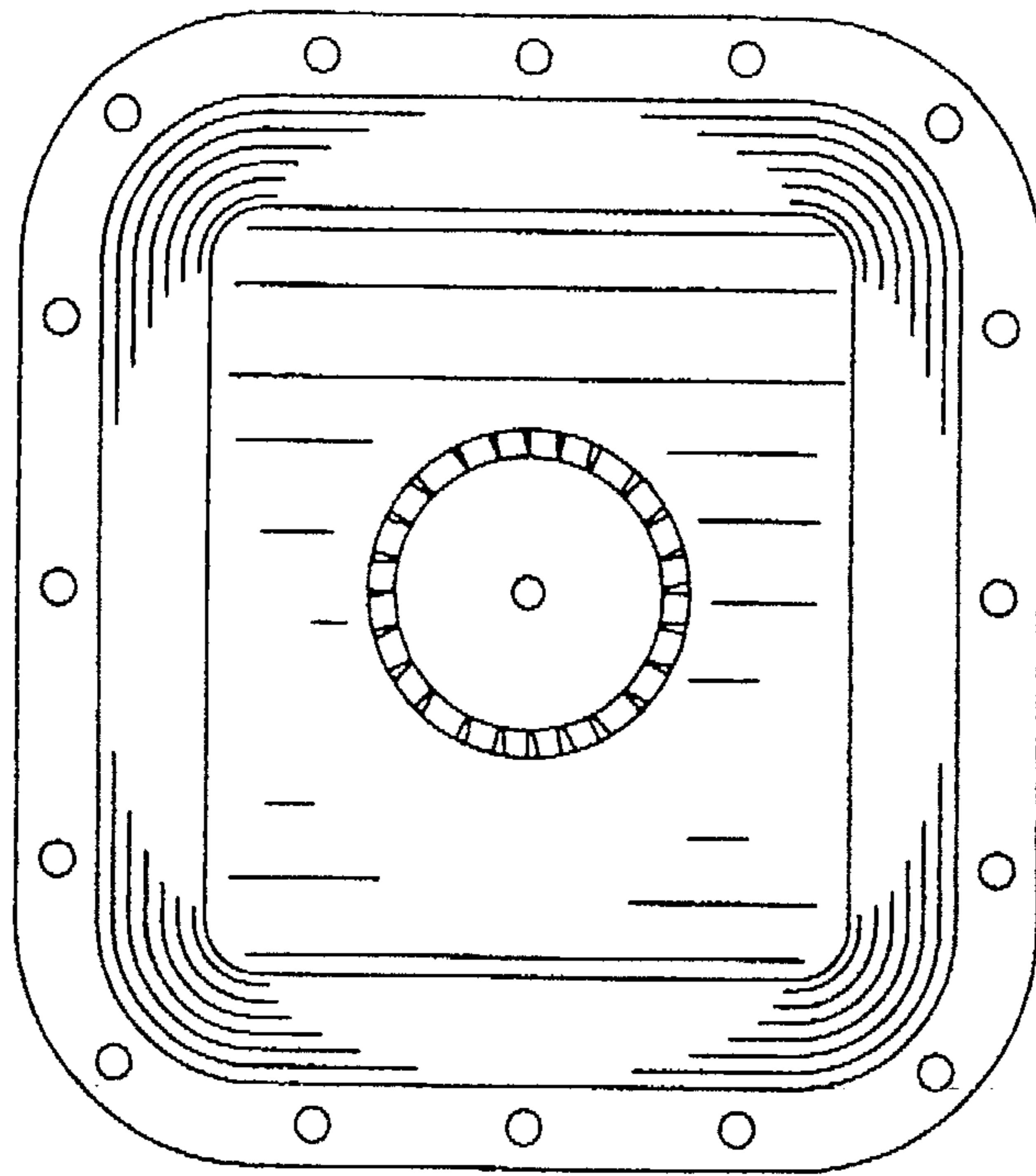


FIGURE 5

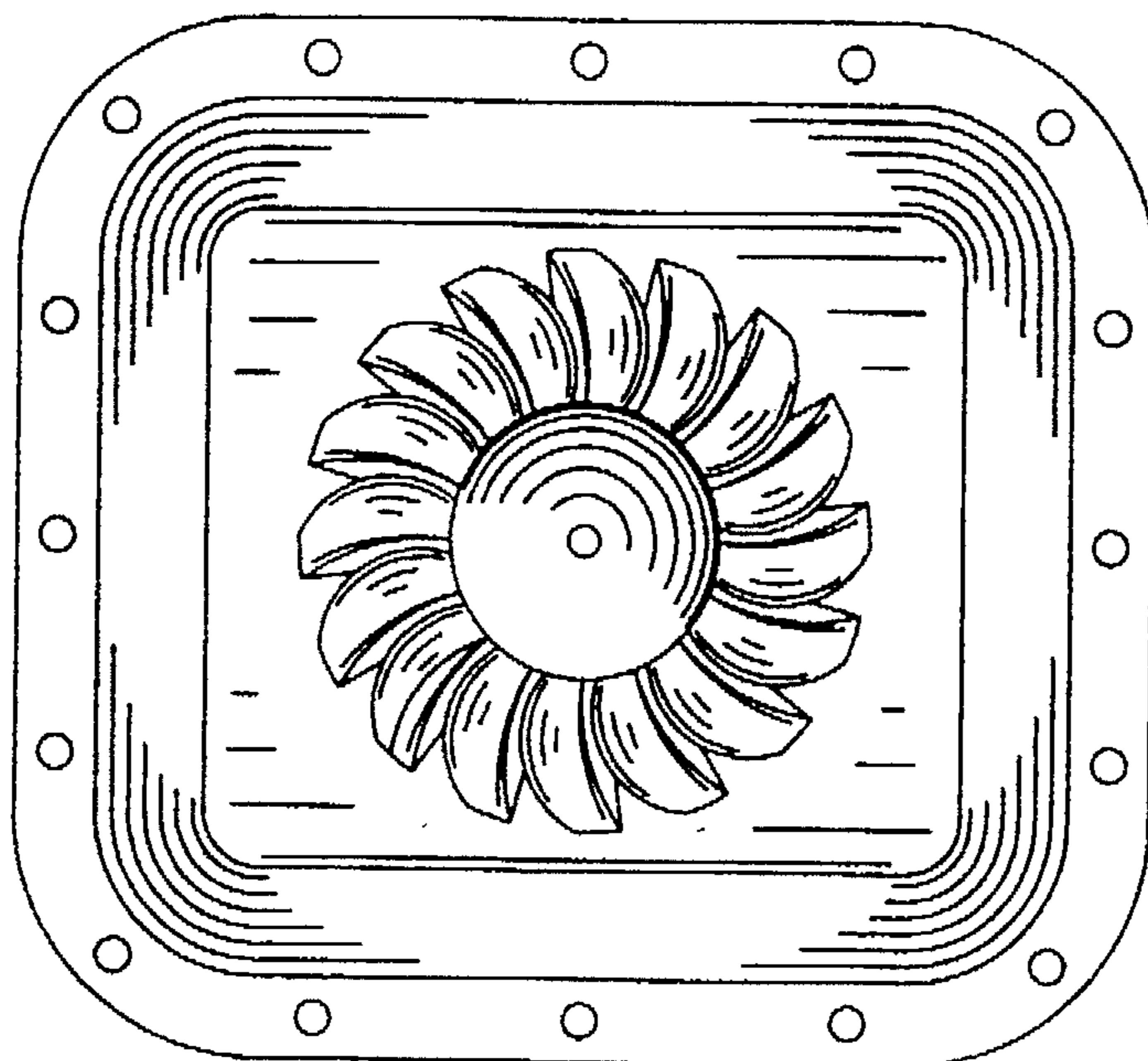


FIGURE 4

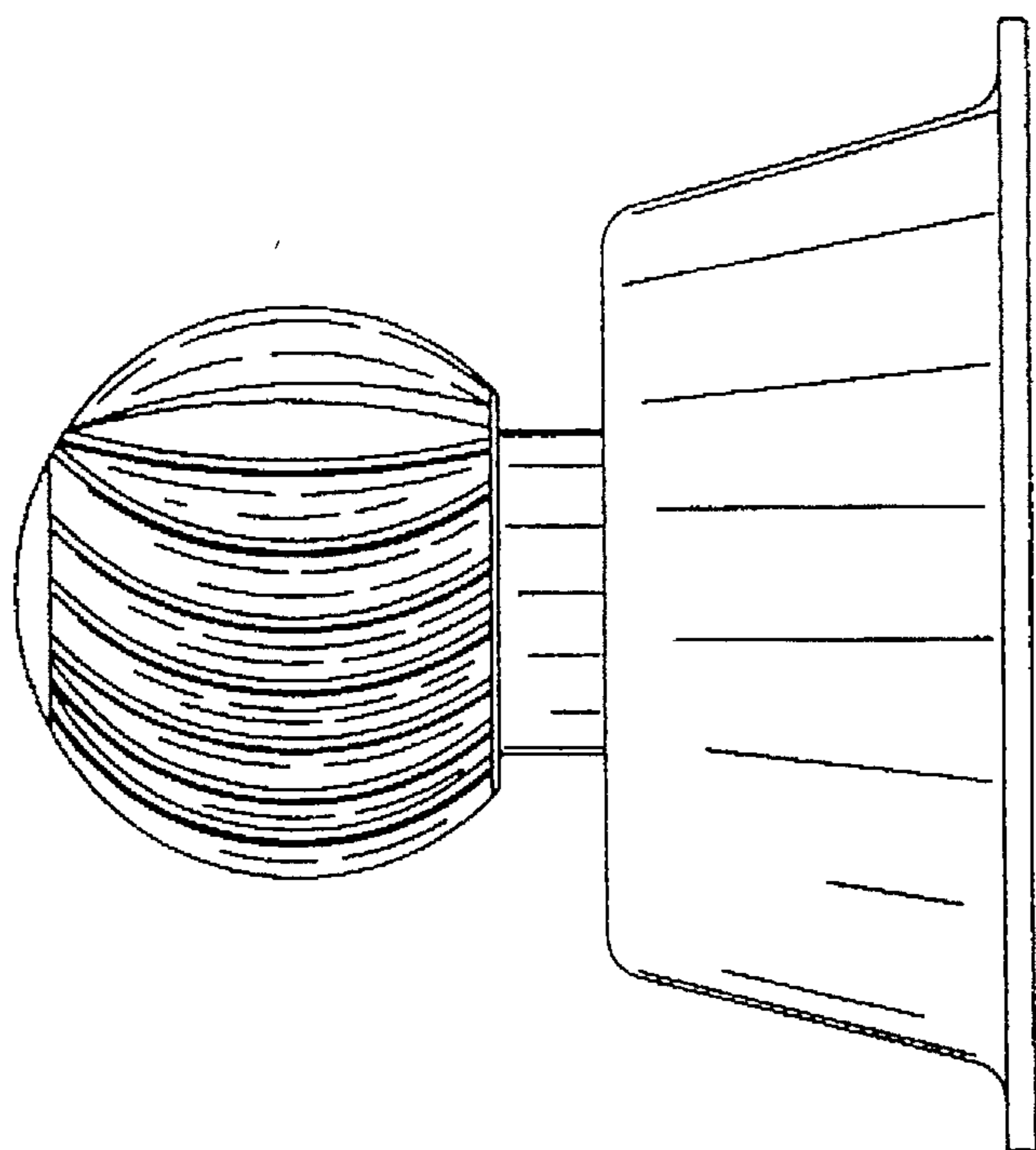


FIGURE 7

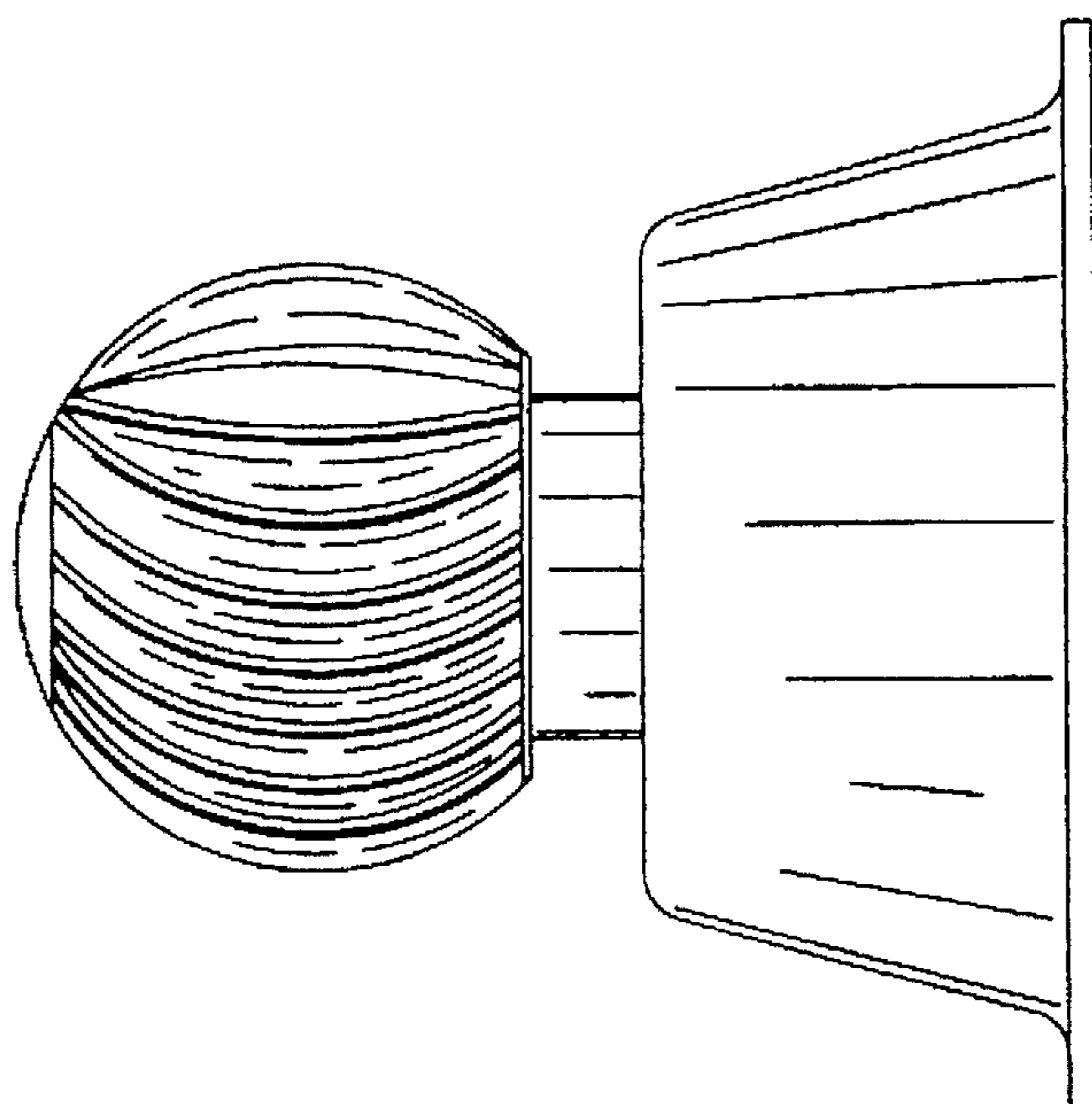


FIGURE 6

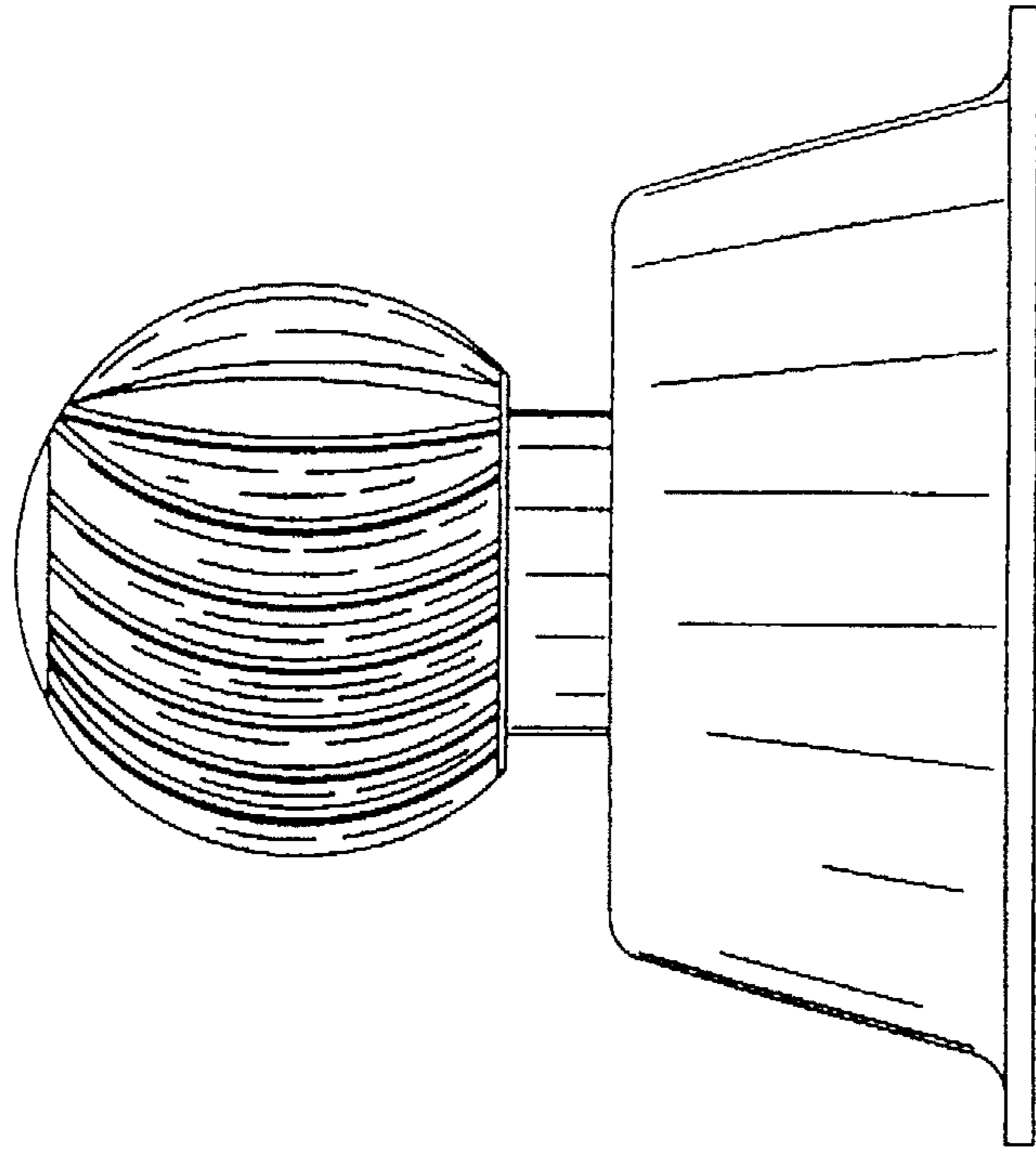


FIGURE 9

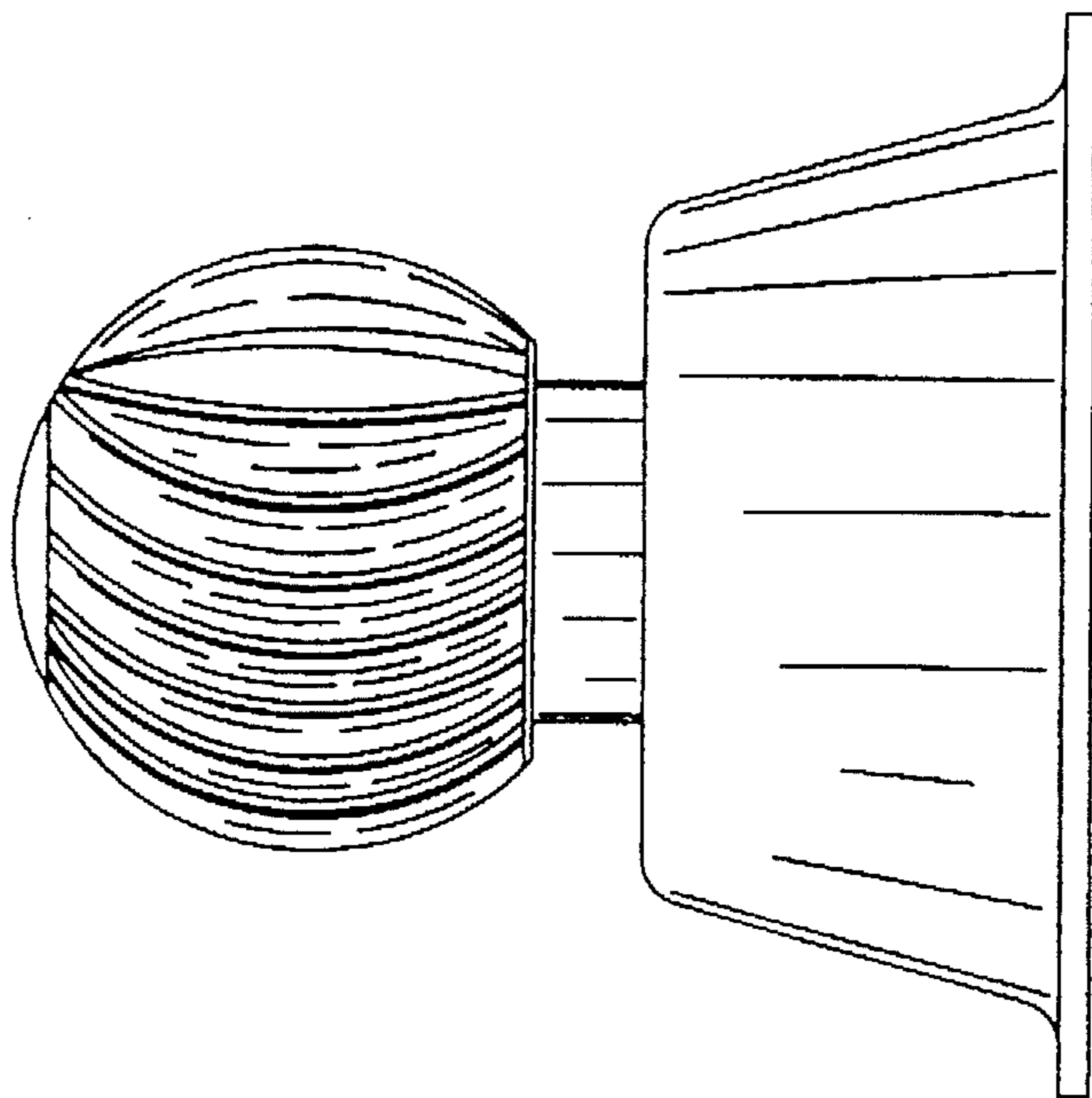


FIGURE 8