



US00D380043S

United States Patent [19]

Chiu et al.

[11] Patent Number: **Des. 380,043**

[45] Date of Patent: ****Jun. 17, 1997**

[54] **COMPACT PORTABLE WINDOW FAN**

[75] Inventors: **Bernard Chiu**, Wellesley, Mass.; **Jui-Shang Wang**, Taipei, Taiwan; **John Longan**, Natick, Mass.; **Robert L. Marvin, Jr.**, Farmington; **John Montante**, Branford, both of Conn.

[73] Assignee: **Duracraft Corp.**, Southborough, Mass.

[**] Term: **14 Years**

[21] Appl. No.: **46,292**

[22] Filed: **Nov. 13, 1995**

[51] LOC (6) Cl. **23-04**

[52] U.S. Cl. **D23/370; D23/332; D23/333**

[58] Field of Search **D23/353, 354, D23/370, 332, 333; 454/131, 132, 133, 203; 416/247 R, 244 R**

[56] **References Cited**

U.S. PATENT DOCUMENTS

D. 329,283 9/1992 Maiellano, Jr. et al. D23/370

D. 345,011 3/1994 O'Grady D23/370
D. 346,208 4/1994 Smith D23/370
957,680 5/1910 Johanns D23/370

Primary Examiner—Lisa P. Lichtenstein
Attorney, Agent, or Firm—John E. Toupal

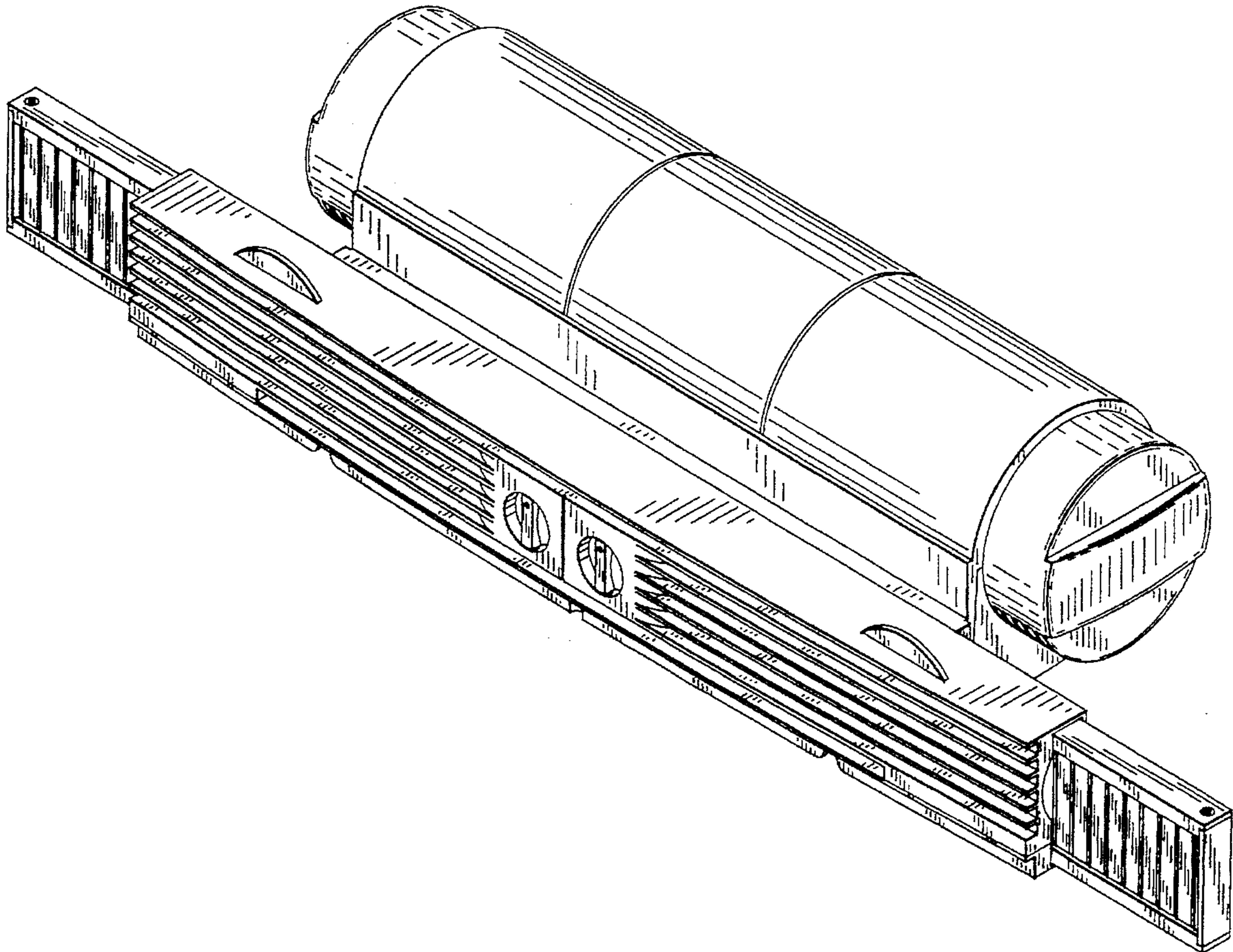
[57] **CLAIM**

The ornamental design of a compact portable window fan, as shown.

DESCRIPTION

FIG. 1 is a front right perspective view of a compact portable window fan;
FIG. 2 is a front elevational view thereof;
FIG. 3 is a rear elevational view thereof;
FIG. 4 is a top plan view thereof;
FIG. 5 is a bottom plan view thereof;
FIG. 6 is a right side elevational view thereof; and,
FIG. 7 is a left side elevational view thereof.

1 Claim, 6 Drawing Sheets



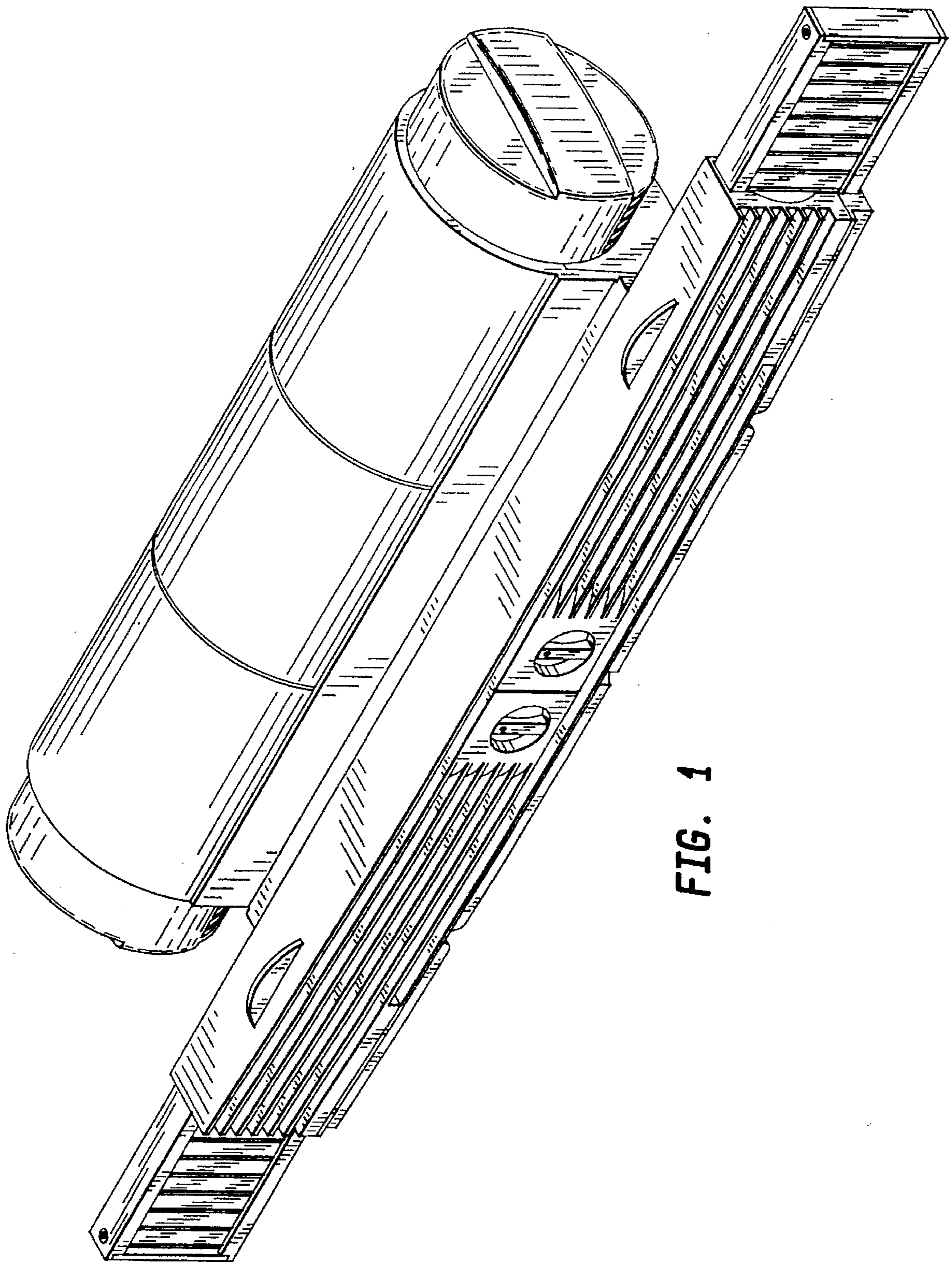


FIG. 1

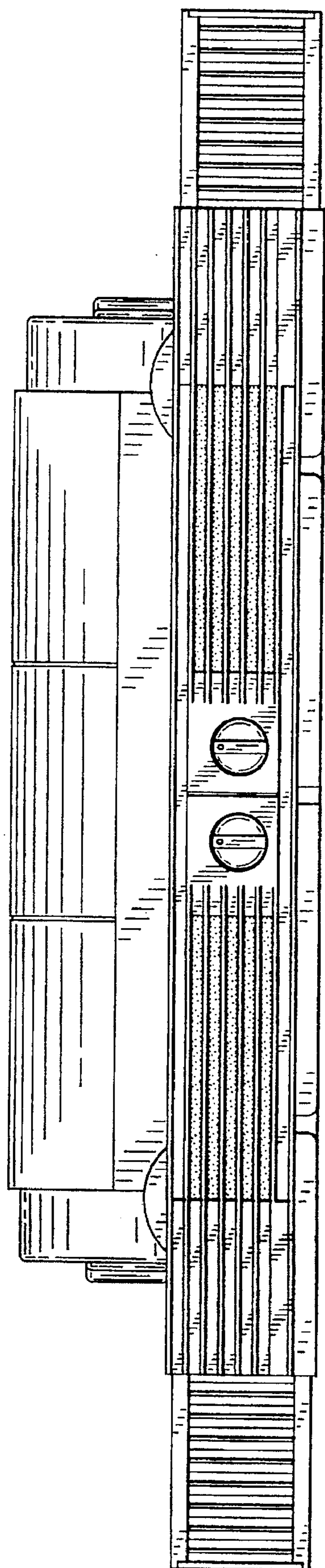


FIG. 2

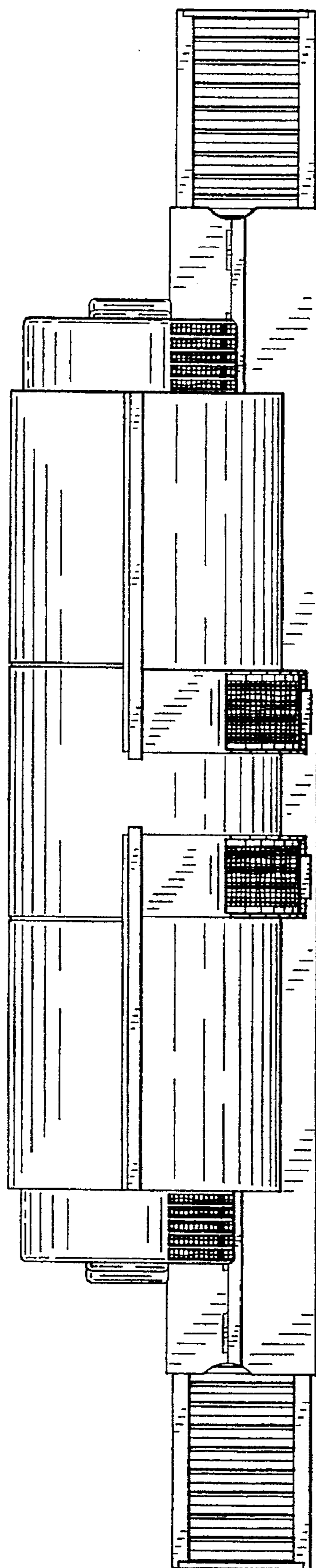


FIG. 3

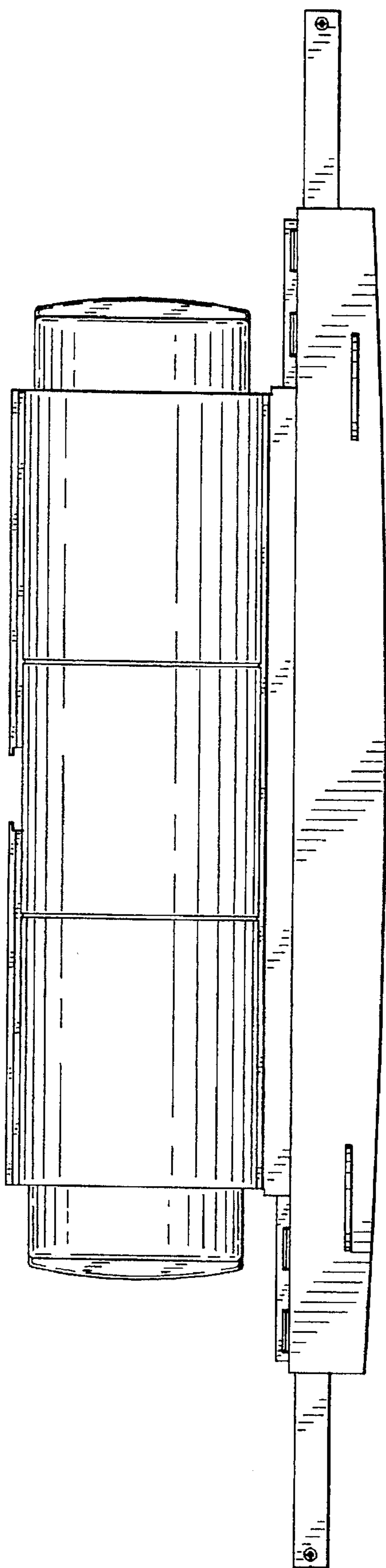


FIG. 4

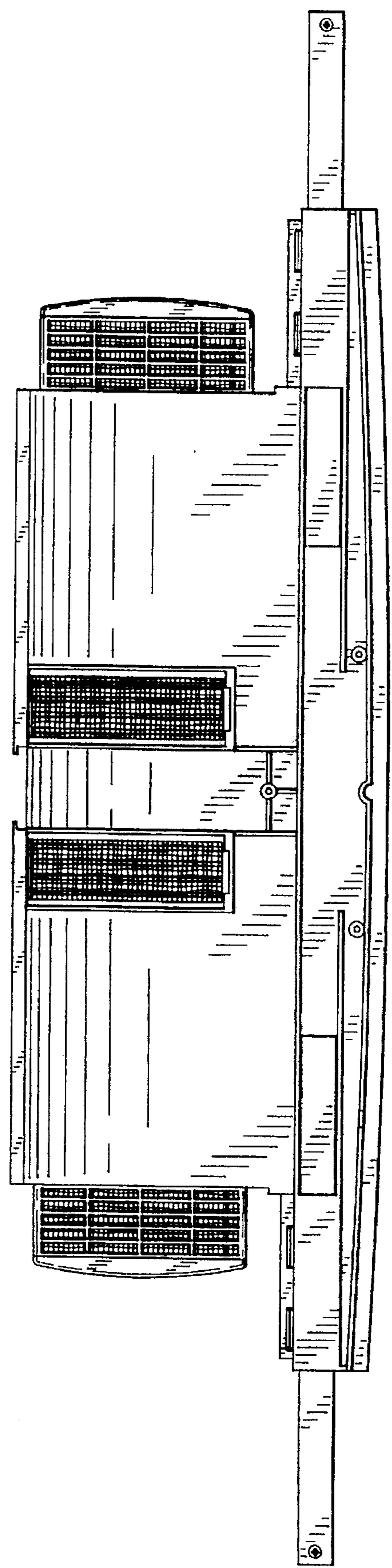


FIG. 5

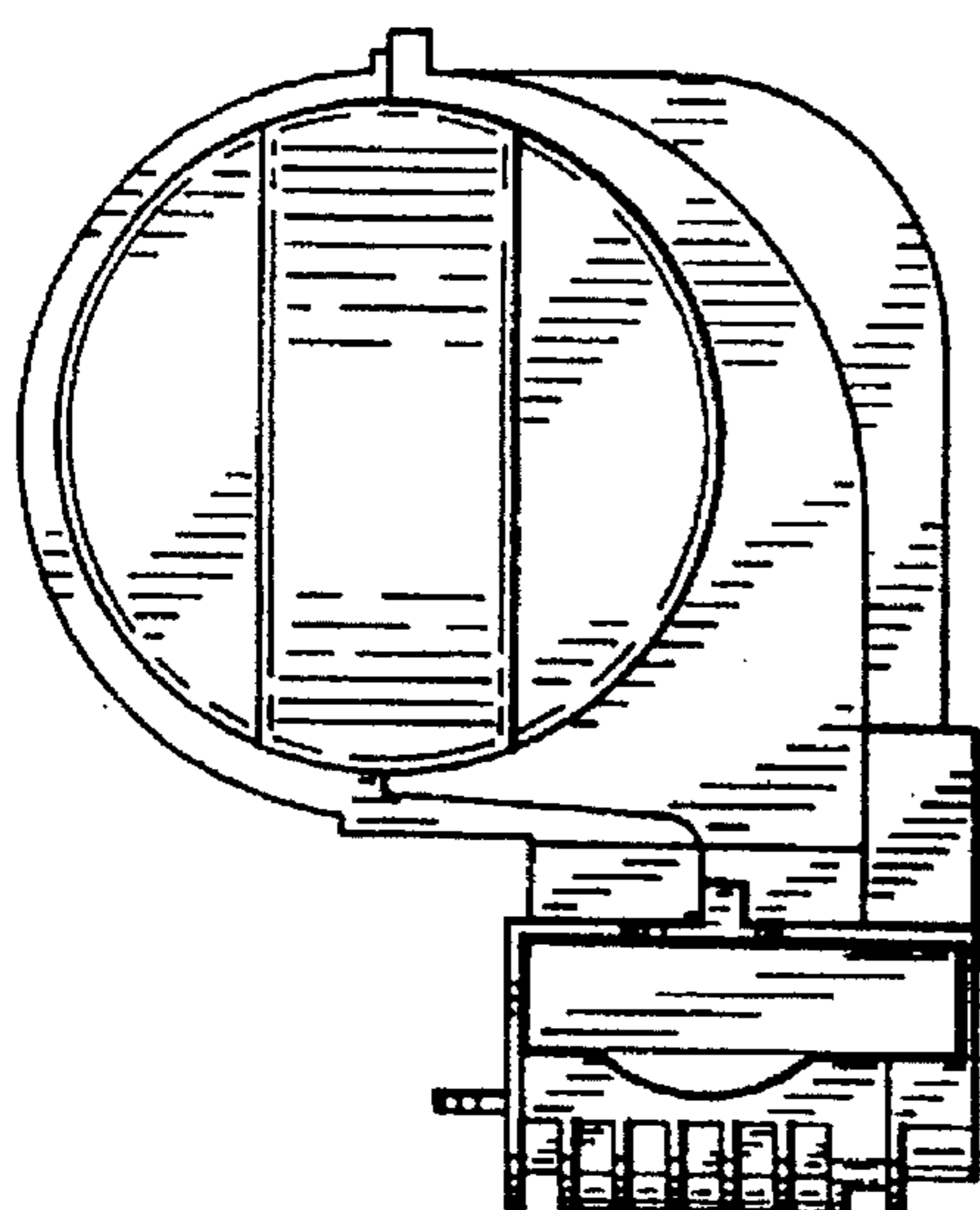


FIG. 6

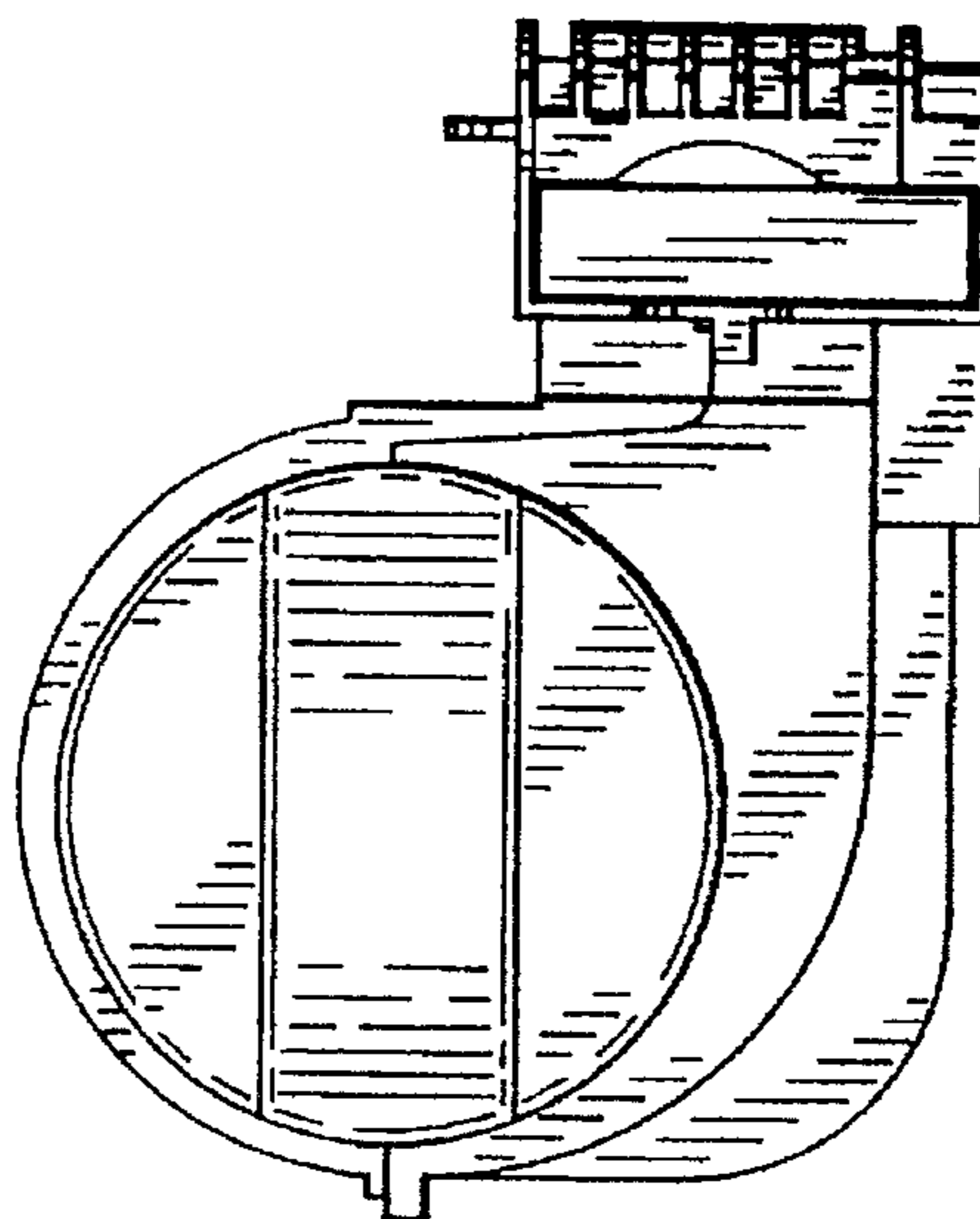


FIG. 7