



US00D380042S

United States Patent [19]

Yuda

[11] Patent Number: **Des. 380,042**

[45] Date of Patent: ****Jun. 17, 1997**

[54] **AIR CYLINDER HOUSING**
[76] Inventor: **Lawrence F. Yuda**, 105 Meadowcrest Dr., Seneca, S.C. 29678

3,893,378	7/1975	Hewitt	92/169.1
4,682,535	7/1987	Stoll	92/169.1
4,954,296	9/1990	Ott	261/122.2
5,241,896	9/1993	Braun et al.	92/163
5,245,912	9/1993	Müller et al.	92/163

[**] Term: **14 Years**

[21] Appl. No.: **40,733**

[22] Filed: **Jun. 26, 1995**

Primary Examiner—Lisa P. Lichtenstein
Attorney, Agent, or Firm—Ralph Bailey

Related U.S. Application Data

[63] Continuation of Ser. No. 250,535, May 31, 1994, Pat. No. 5,522,302.

[51] LOC (6) Cl. **23-04**

[52] U.S. Cl. **D23/355**

[58] Field of Search D23/355; 92/169.1; 261/122.2, 124; 138/177

[57] CLAIM

The ornamental design for an air cylinder housing, as shown.

DESCRIPTION

FIG. 1 is a perspective top left view illustrating an air cylinder housing showing my new design;
FIG. 2 is a bottom right perspective view thereof;
FIG. 3 is a top plan view thereof;
FIG. 4 is a right end view thereof; and,
FIG. 5 is a left end view thereof.

[56] References Cited

U.S. PATENT DOCUMENTS

2,133,731 10/1938 Gottwald 138/177

1 Claim, 2 Drawing Sheets

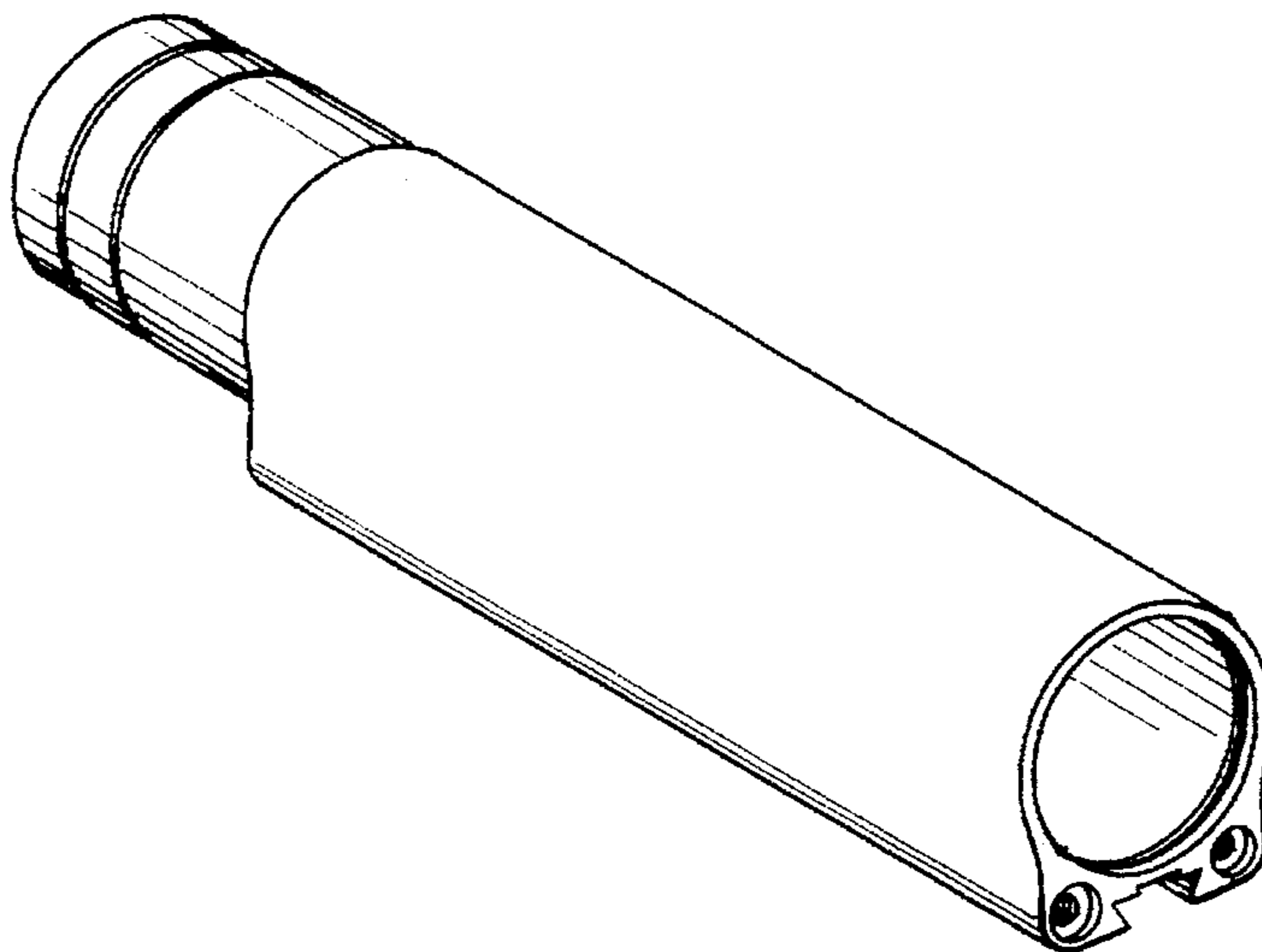
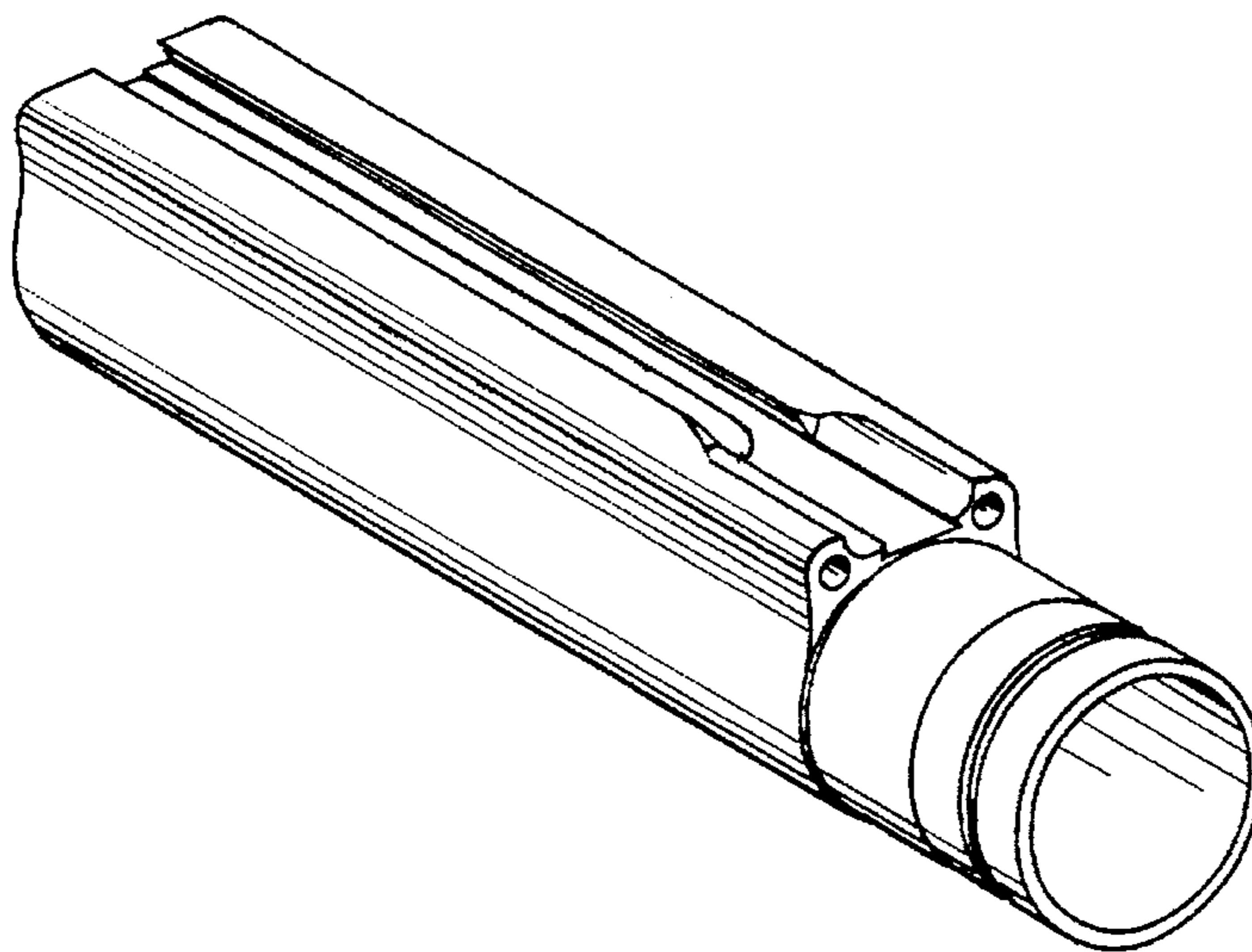


Fig. 2.

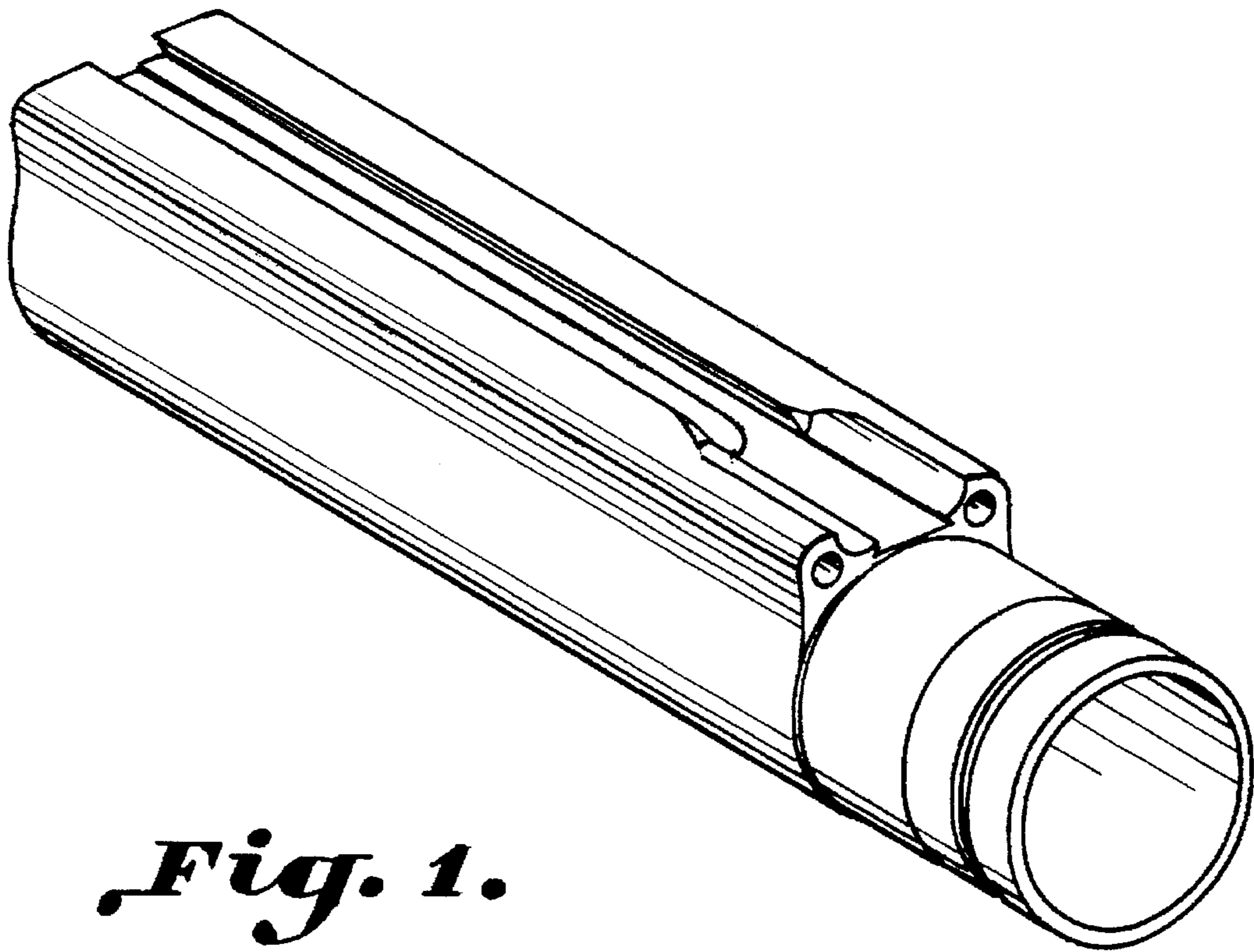
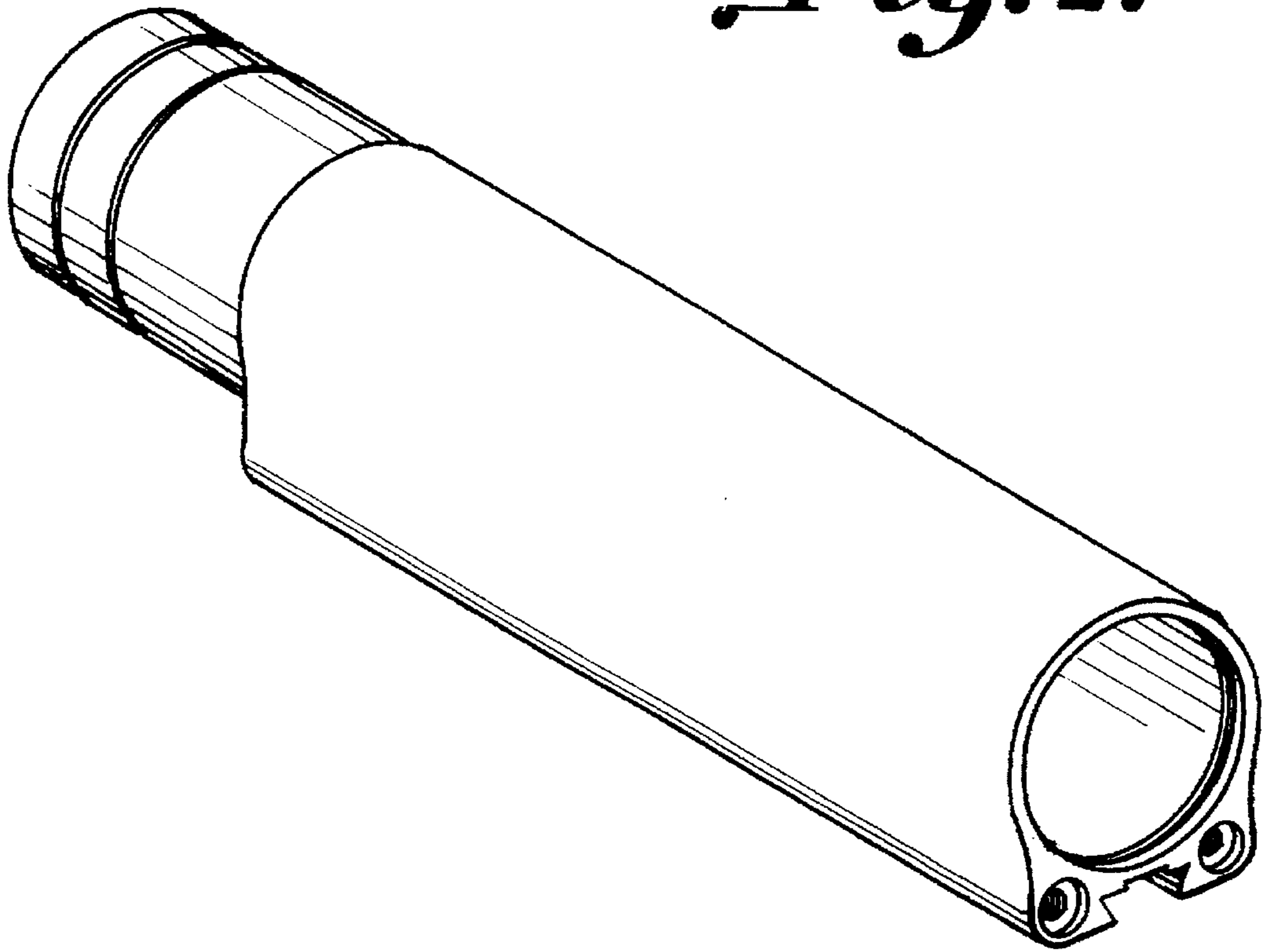


Fig. 1.

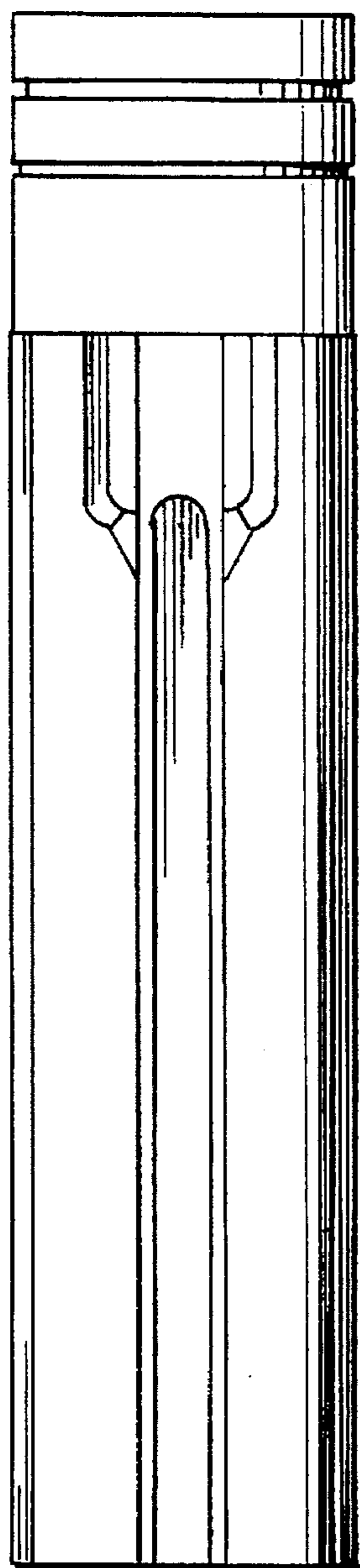


Fig. 3.

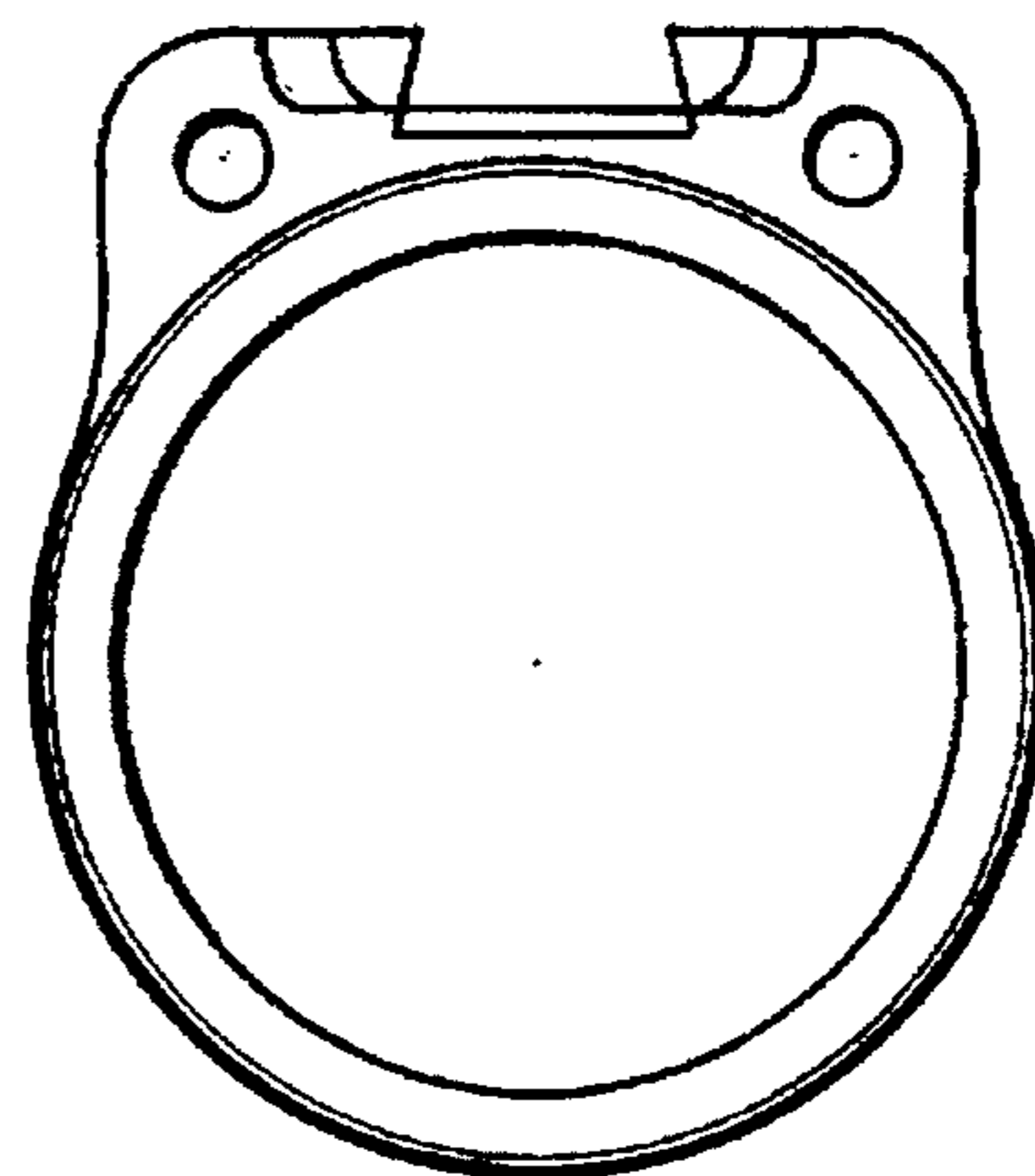


Fig. 4.

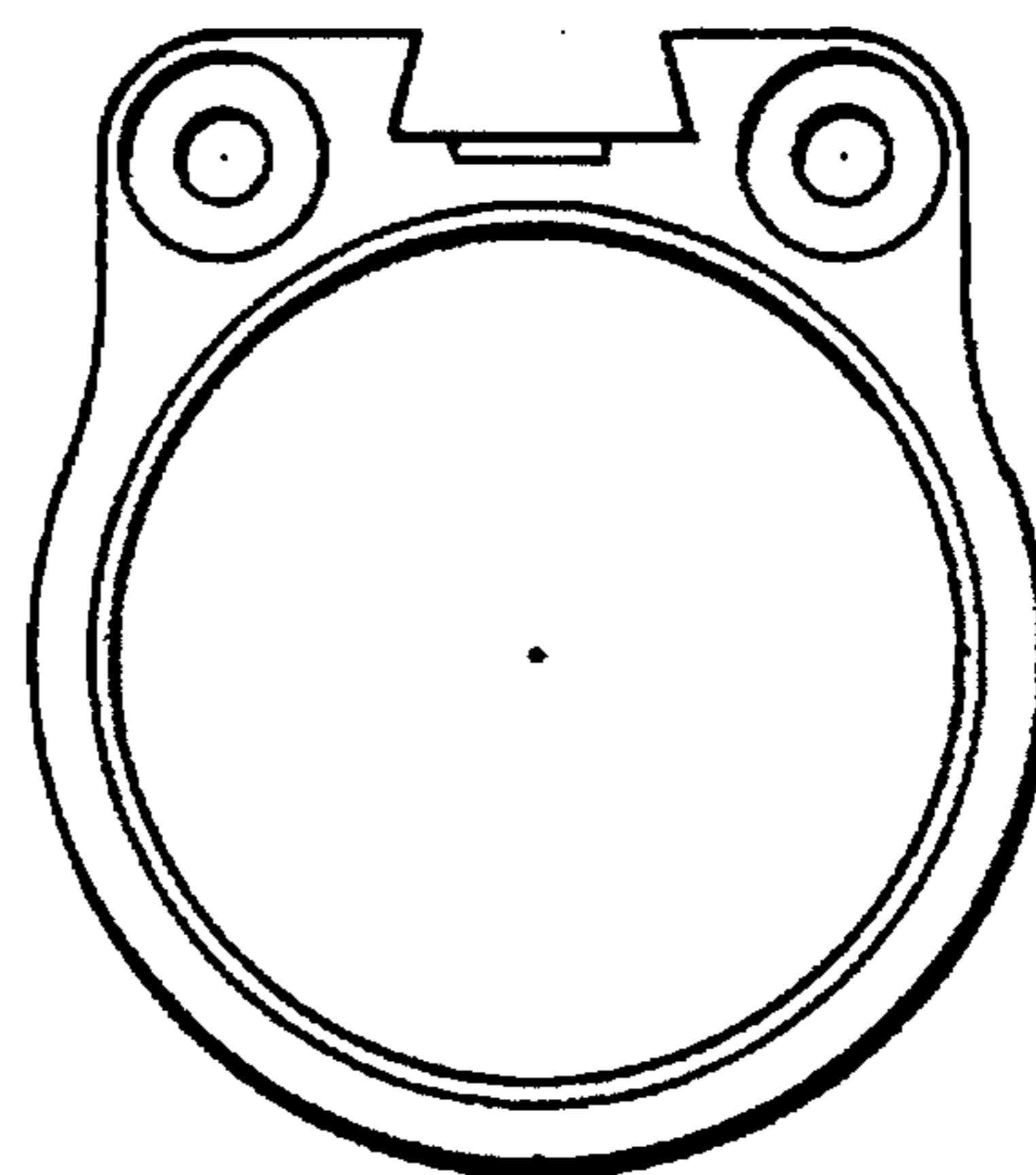


Fig. 5.