



US00D380040S

United States Patent [19]

[11] Patent Number: **Des. 380,040**

Kohler, Jr. et al.

[45] Date of Patent: ****Jun. 17, 1997**

[54] LAVATORY

[75] Inventors: **Herbert V. Kohler, Jr.**, Kohler; **Mary J. Reid**, Sheboygan; **William C. McKeone**, Sheboygan Falls, all of Wis.

[73] Assignee: **Kohler Co.**, Kohler, Wis.

[**] Term: **14 Years**

[21] Appl. No.: **37,377**

[22] Filed: **Apr. 11, 1995**

Related U.S. Application Data

[62] Division of Ser. No. 15,122, Nov. 5, 1993.

[51] LOC (6) Cl. **23-02**

[52] U.S. Cl. **D23/293.1; D23/284; D23/292**

[58] Field of Search **D23/270-274, D23/284-293.1, 308; 4/619, 625, 635-650**

[56] References Cited

U.S. PATENT DOCUMENTS

- D. 37,256 12/1904 Lloyd .
- D. 37,305 1/1905 Podmore .
- D. 37,519 8/1905 Gavin .
- D. 82,116 9/1930 Steele D23/291
- D. 258,906 4/1981 Doman D23/292
- D. 264,749 6/1982 Benston D23/292
- D. 295,671 5/1988 Kohler, Jr. D23/294
- 827,278 7/1906 Wilkison .

OTHER PUBLICATIONS

P. 7A-5 dated Apr. 1988 of a Kohler Co. design data sheet showing a Model K-6825 lavatory leg.
 Undated Kohler Co. ad showing a free standing bathtub with a curvilinear towel bar, admitted prior art.
 An undated Simca ad showing a pedestaled lavatory, admitted prior art.

Two undated pages from a Girgio catalog showing Models 1029 and 1029WHI pedestal sinks, admitted prior art.
 An undated Gucci ad showing edge of a pedestal table, admitted prior art.

Primary Examiner—Louis S. Zarfes
Assistant Examiner—Gregory Andoll
Attorney, Agent, or Firm—Quarles & Brady

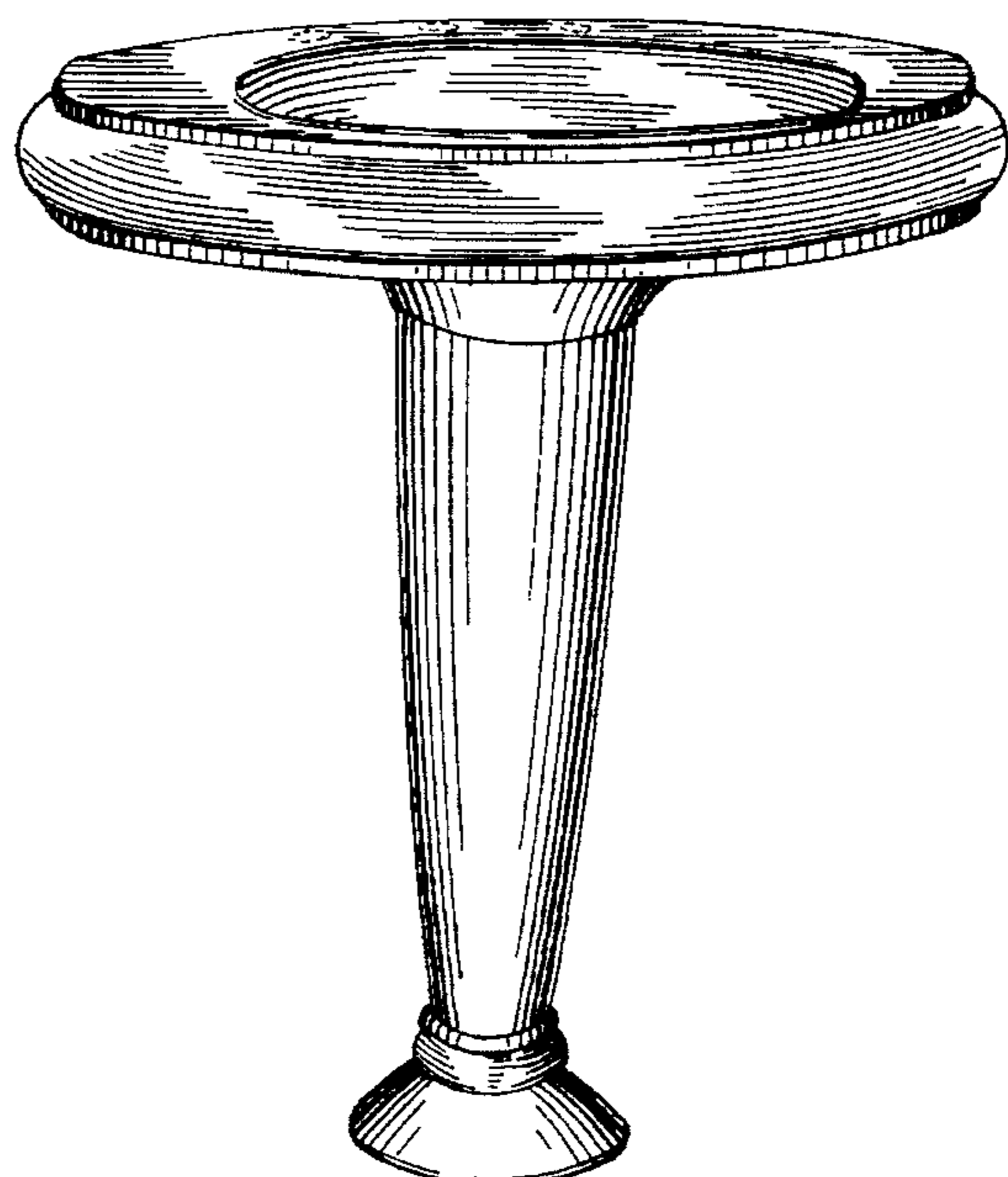
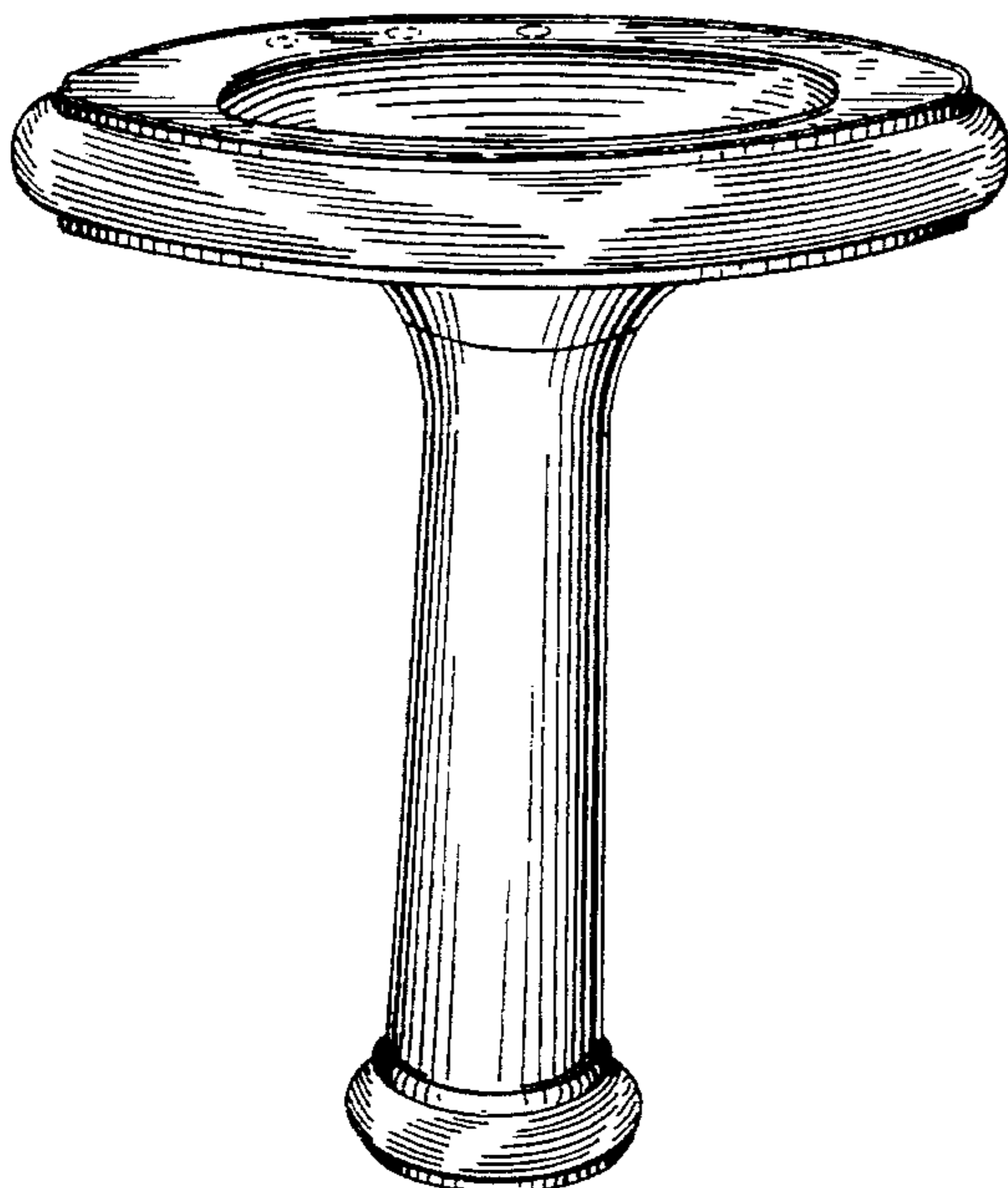
[57] CLAIM

The ornamental design for a lavatory, as shown and described.

DESCRIPTION

FIG. 1 is a perspective view taken from the top, front and left side of a lavatory embodying our new design;
 FIG. 2 is a front elevational view thereof;
 FIG. 3 is a right side elevational view thereof, the left side being the mirror image of the right side shown;
 FIG. 4 is a rear elevational view thereof;
 FIG. 5 is a bottom plan view thereof;
 FIG. 6 is a perspective view taken from the top, front and left side of a second embodiment of our new design;
 FIG. 7 is a front elevational view thereof;
 FIG. 8 is a right side elevational view thereof, the left side being the mirror image of the right side shown;
 FIG. 9 is a rear elevational view thereof;
 FIG. 10 is a bottom plan view thereof;
 FIG. 11 is a top plan view of both of the embodiments of FIGS. 1 and 6;
 FIG. 12 is a cross-sectional view taken on line 12—12 of FIG. 11 of the sink portion above the pedestal; and,
 FIG. 13 is a cross-sectional view taken on line 13—13 of FIG. 11 of the sink portion above the pedestal.
 The broken line representations of mounting holes in FIGS. 1, 6 and 11 are for the purpose of illustration only and form no part of the claimed design.

1 Claim, 9 Drawing Sheets



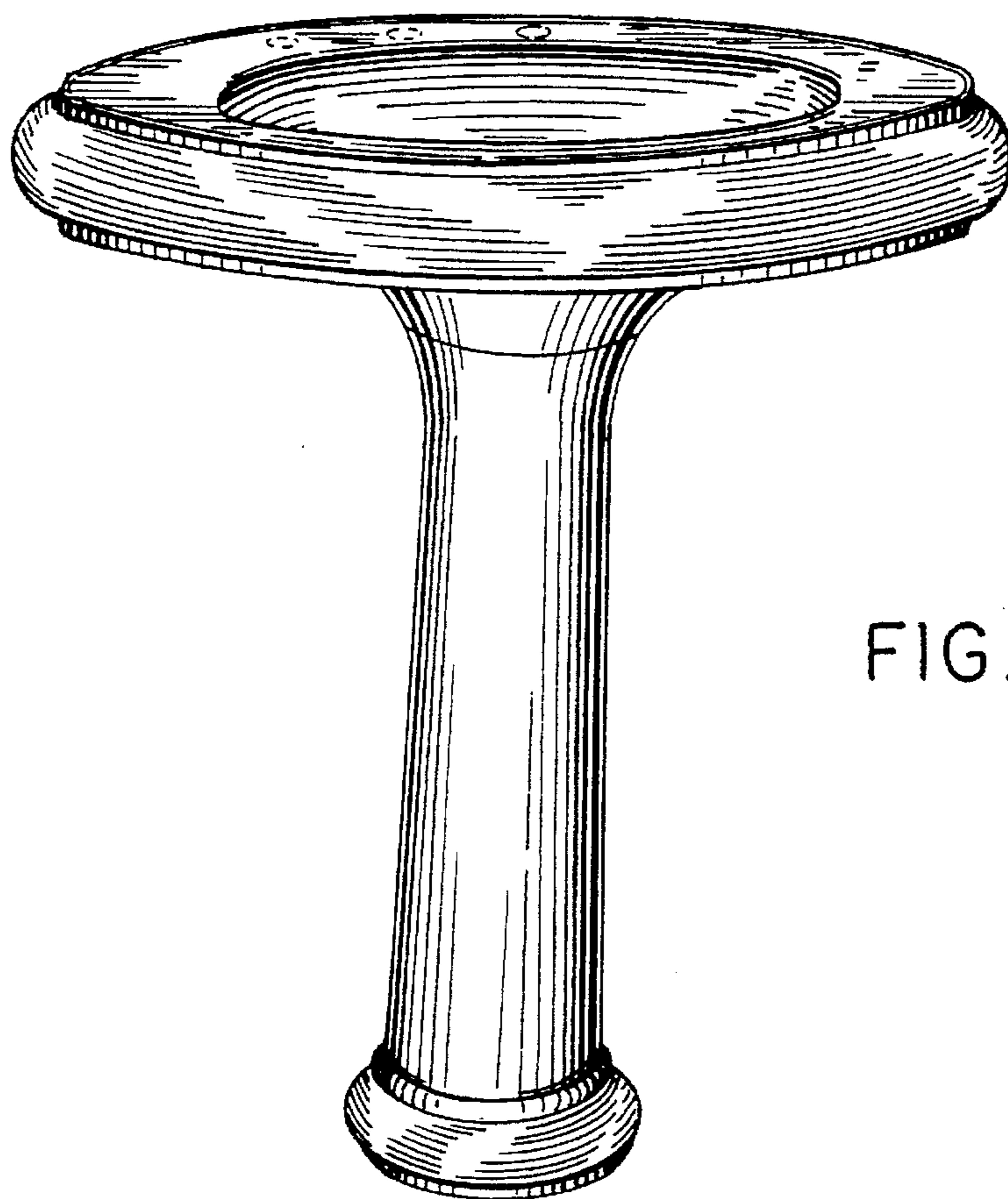


FIG. 1

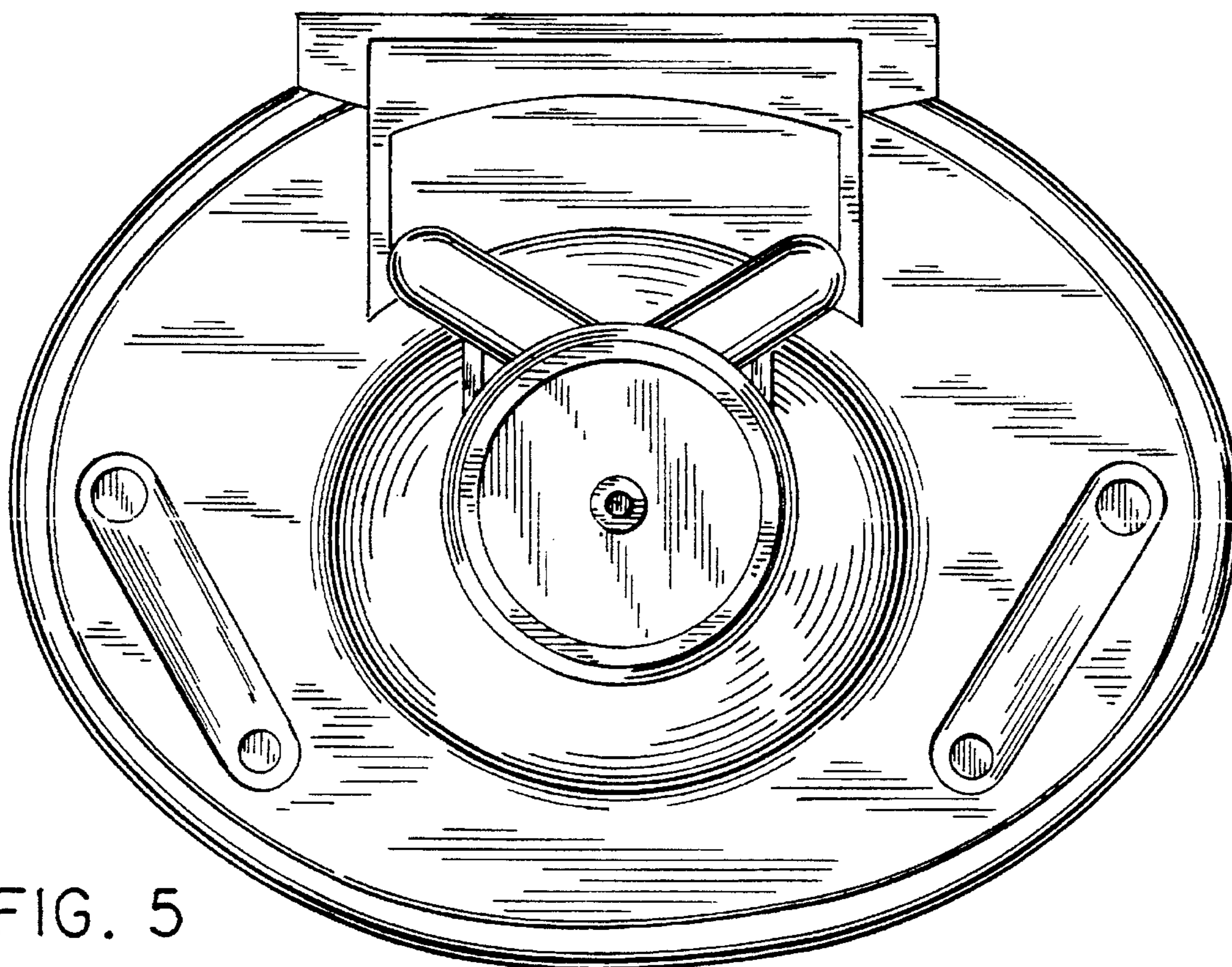


FIG. 5

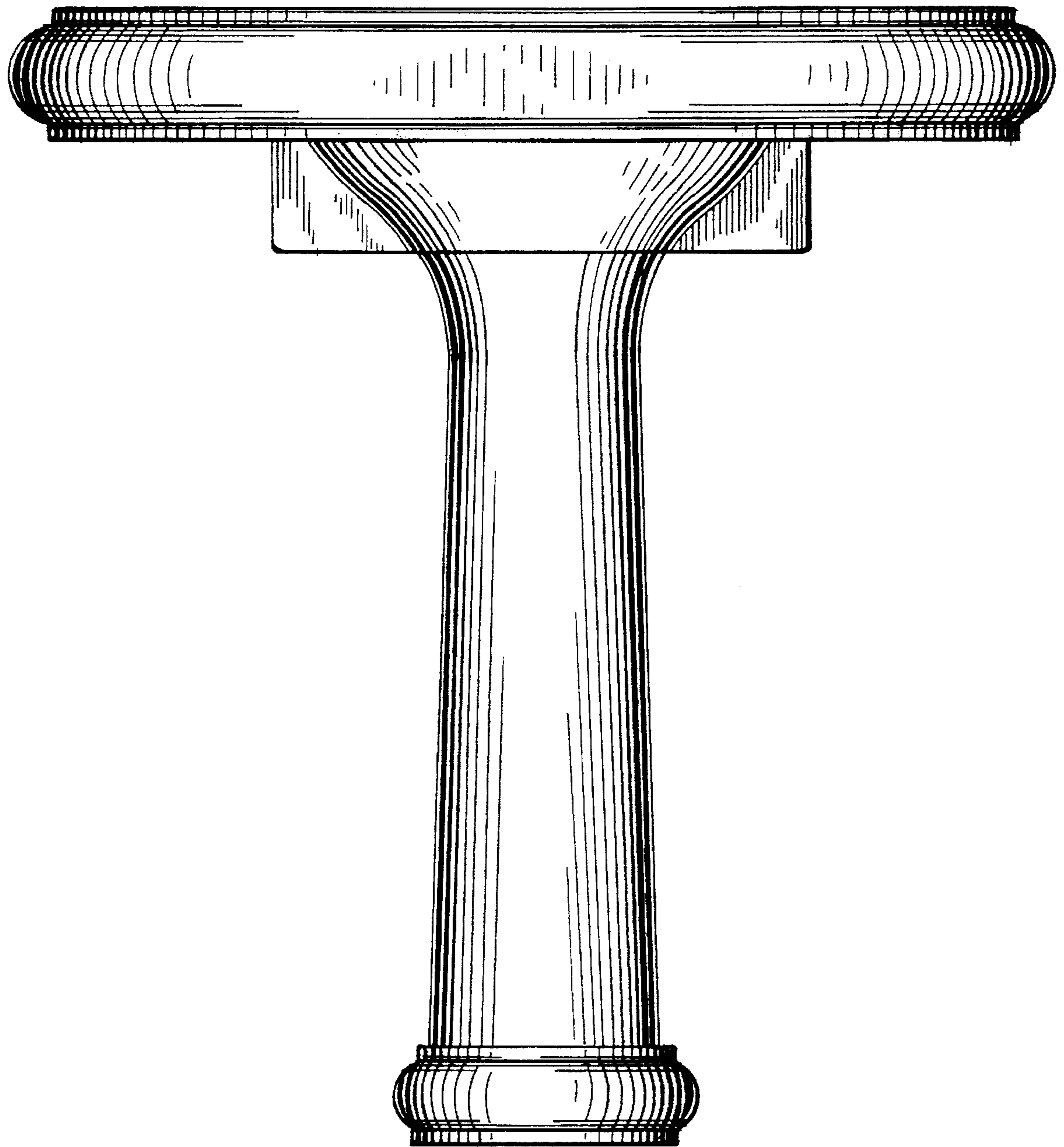


FIG. 2

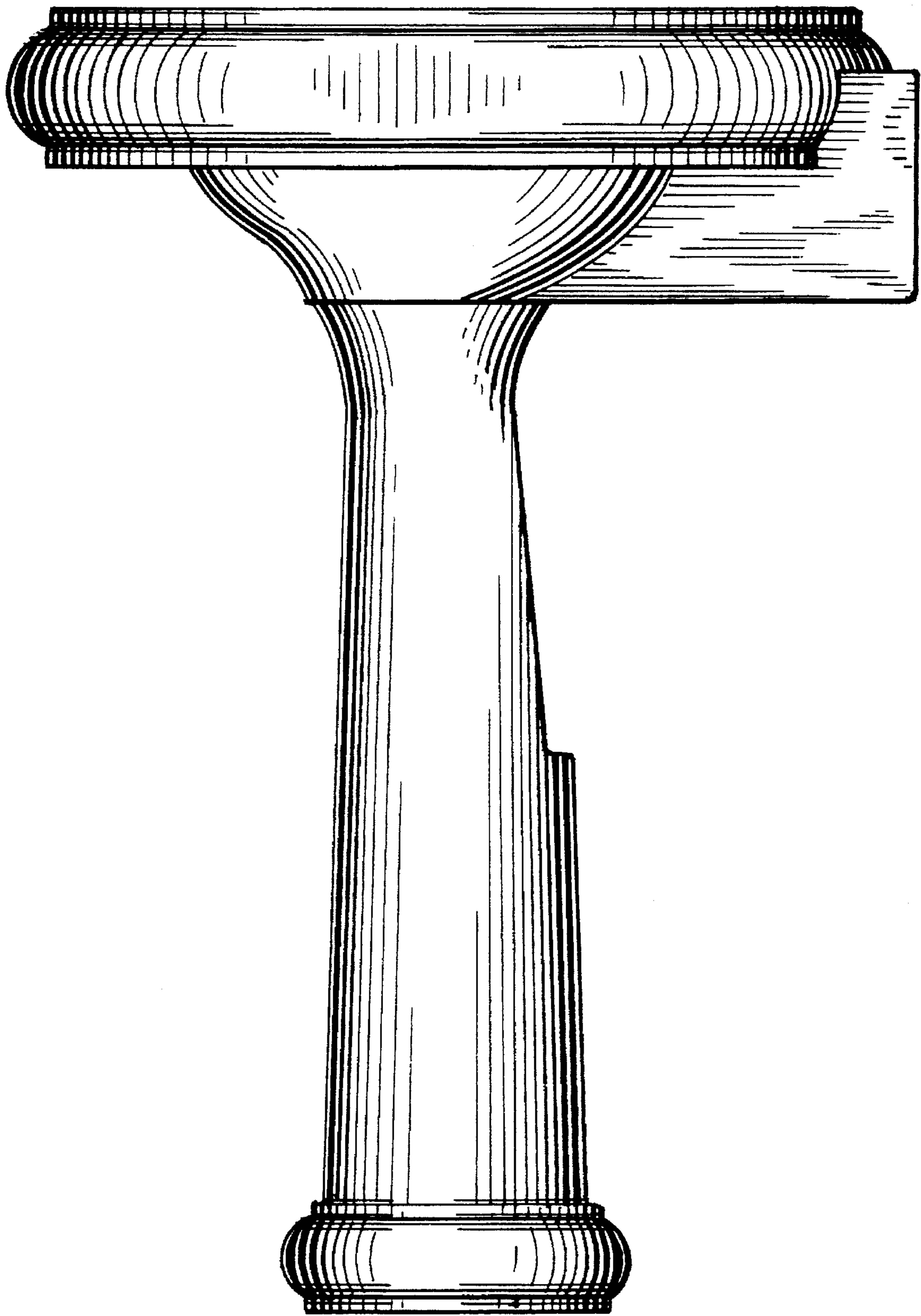


FIG. 3

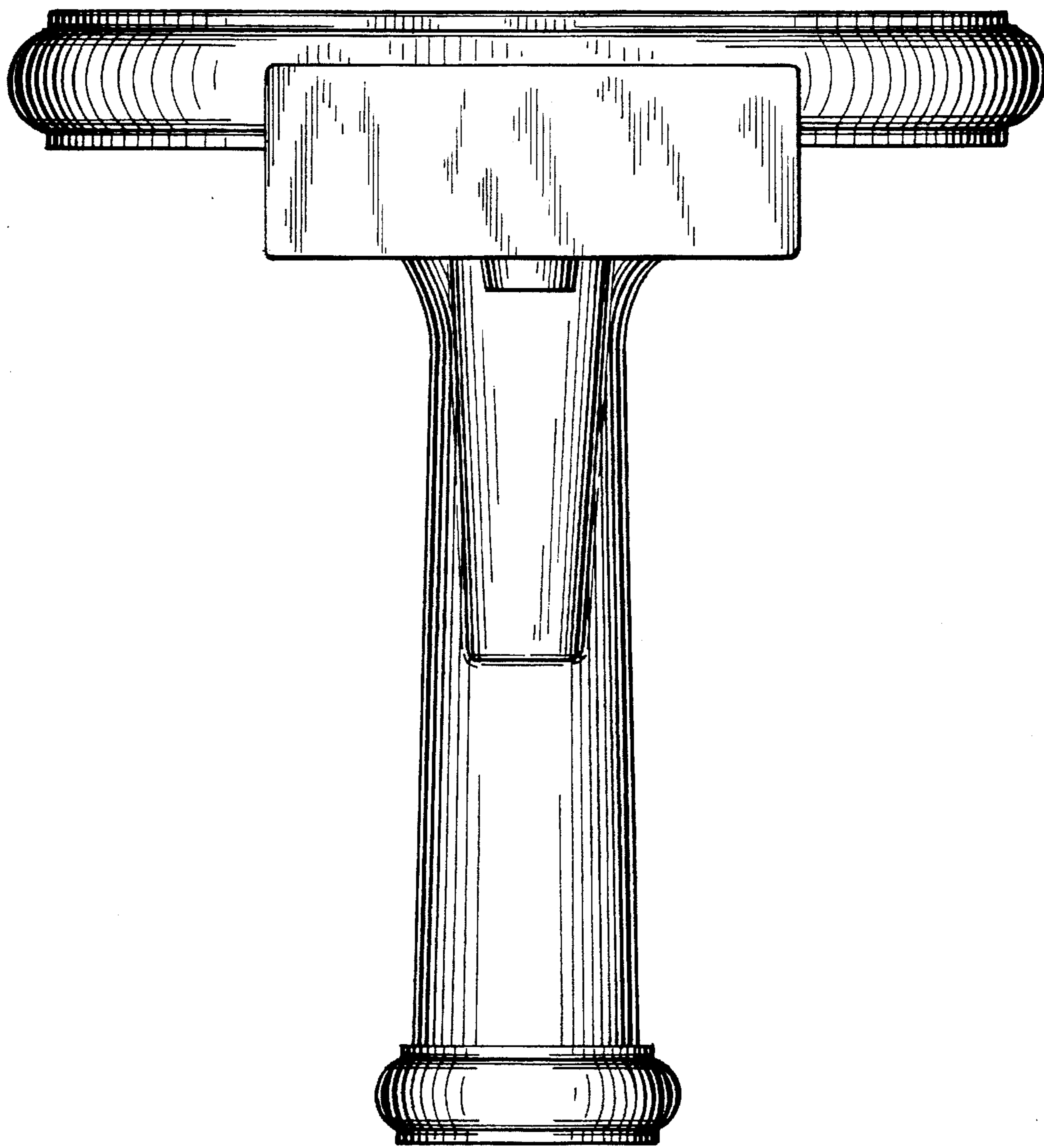


FIG. 4

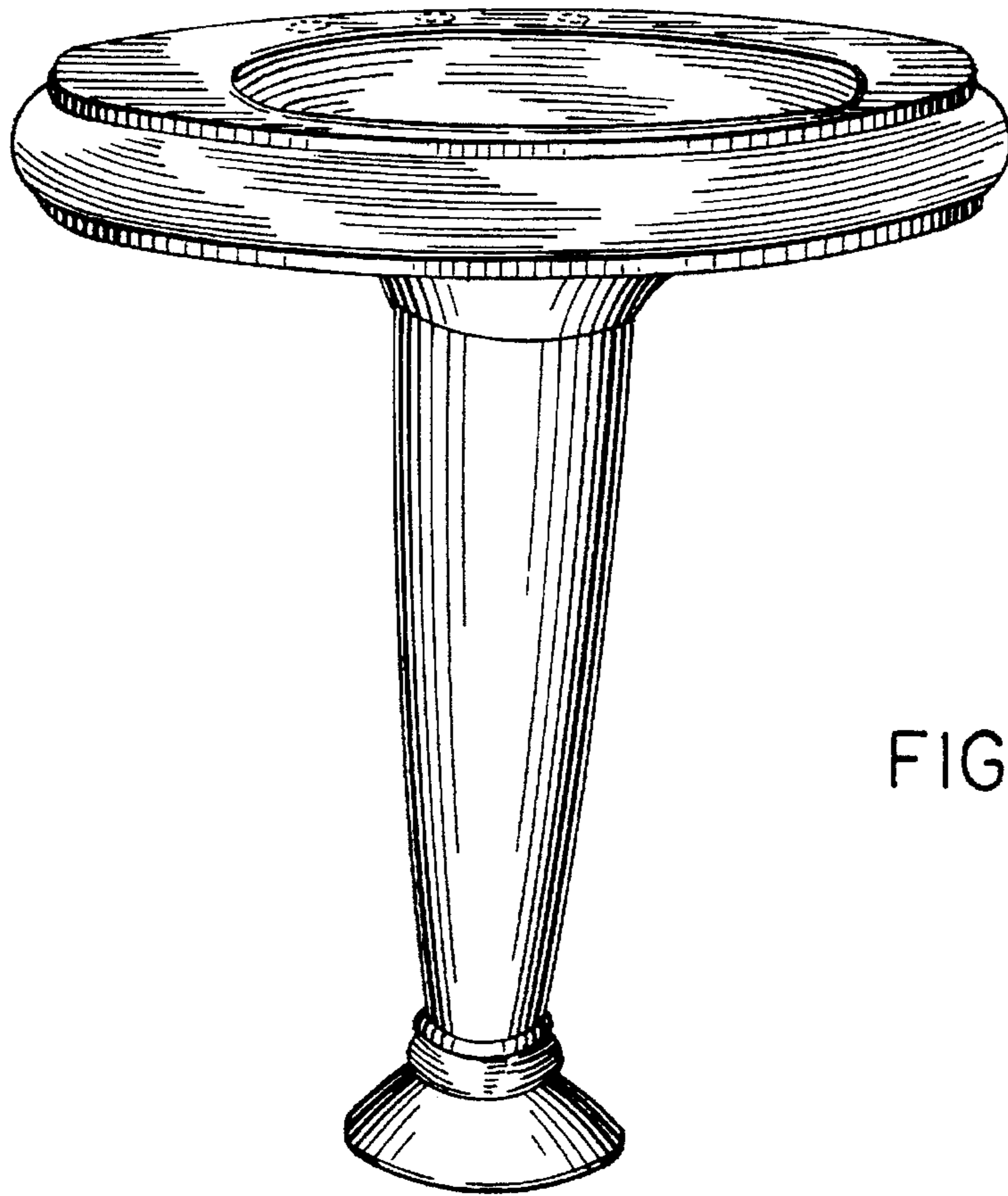


FIG. 6

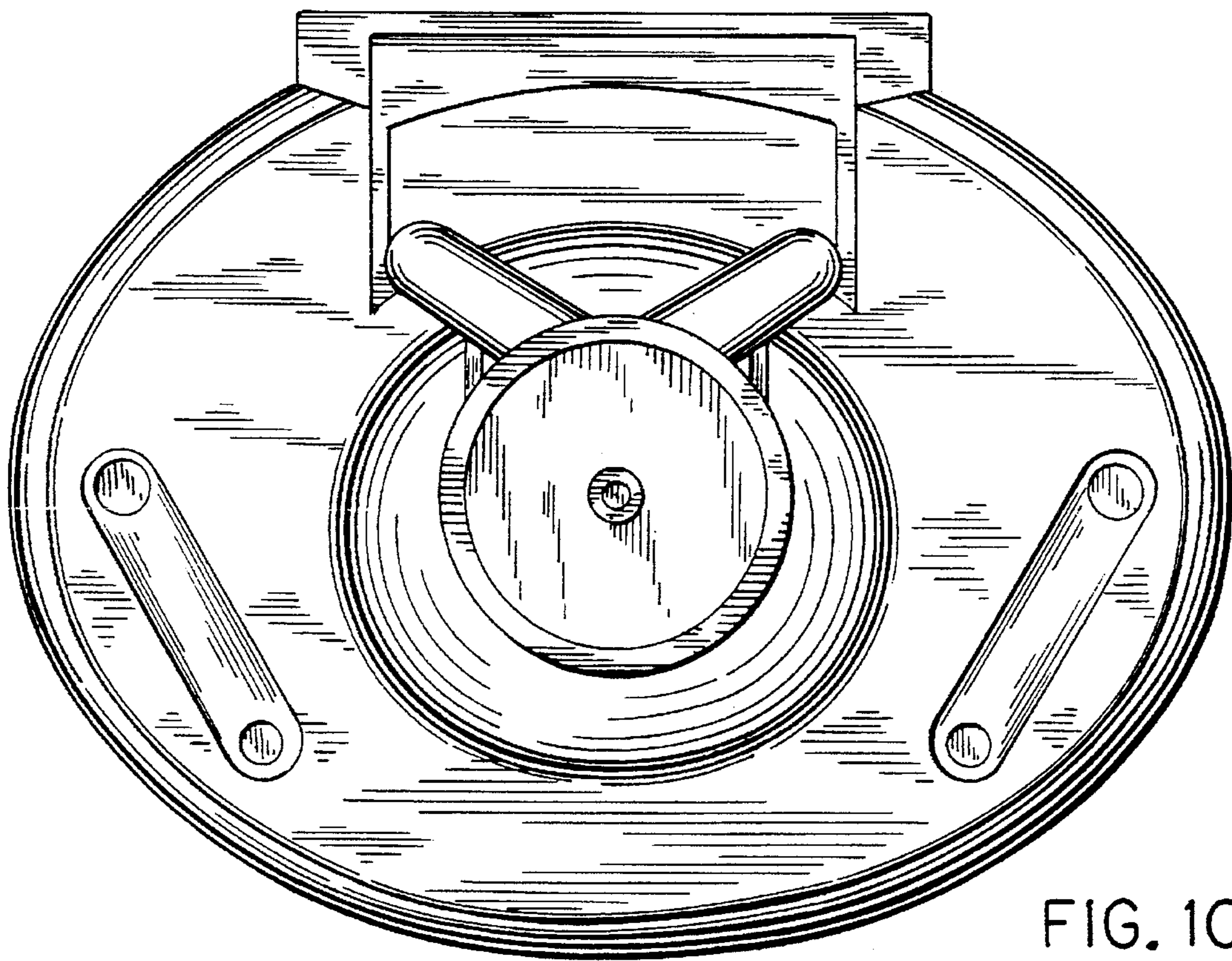


FIG. 10

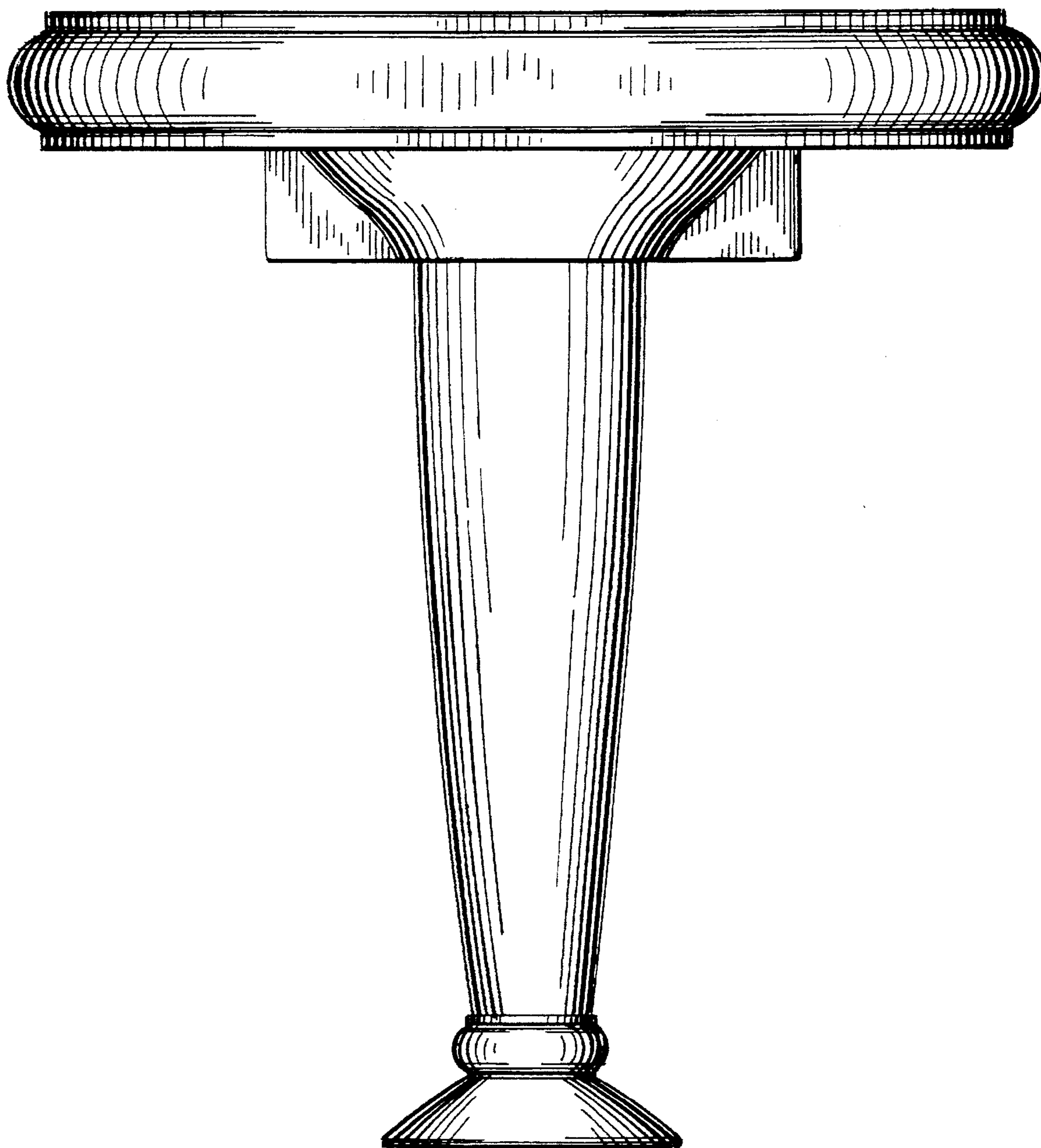


FIG. 7

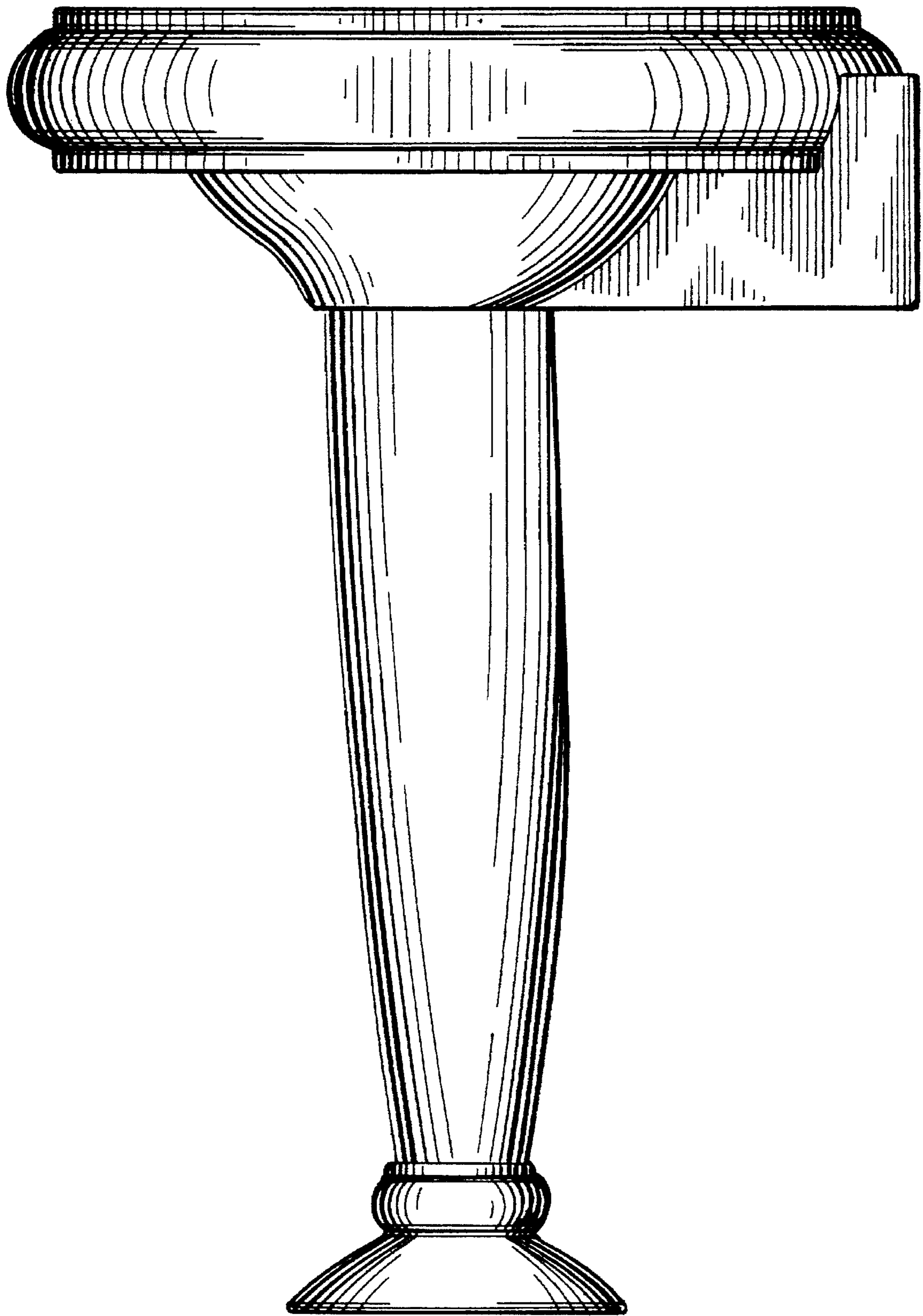


FIG. 8

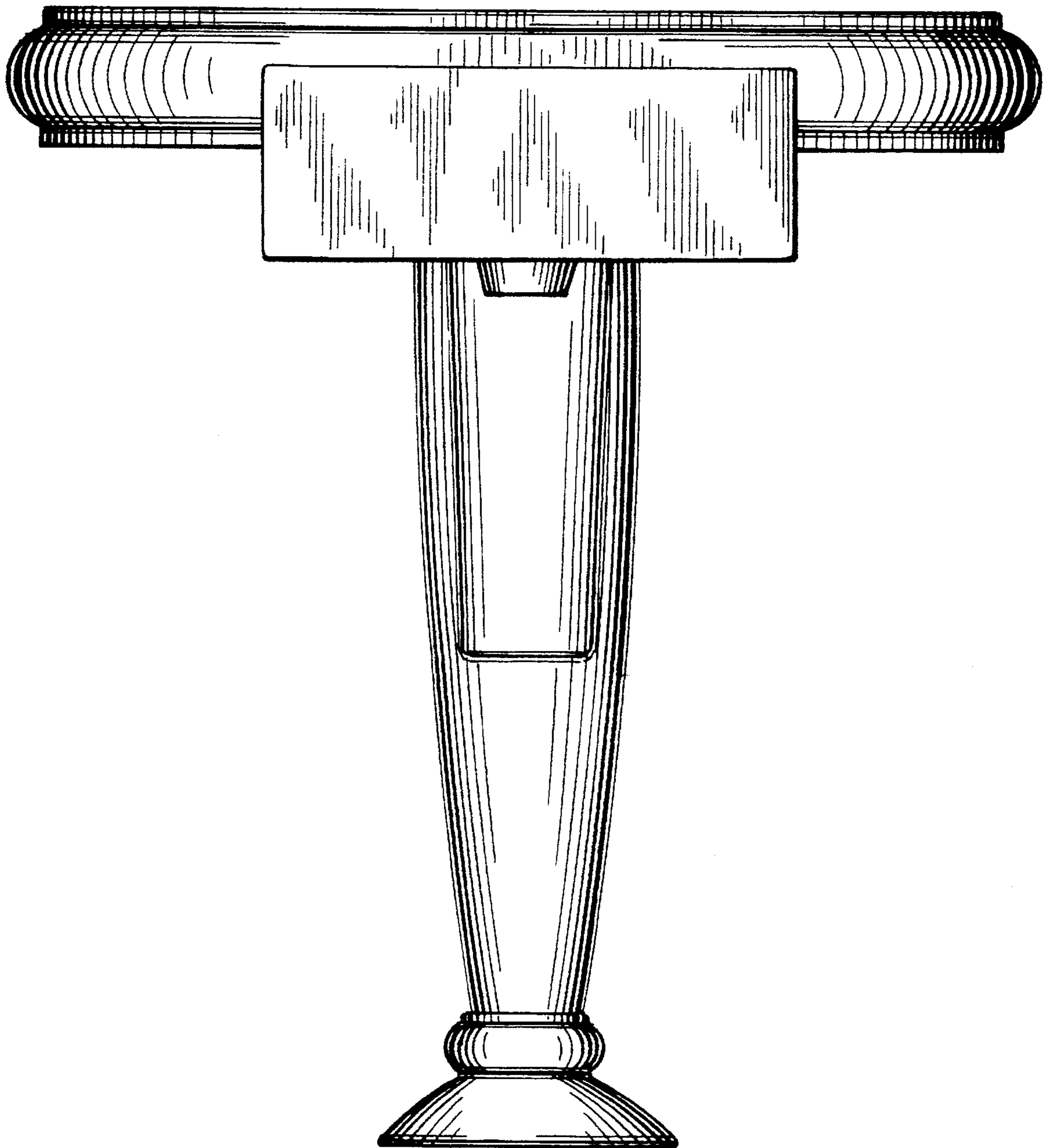


FIG. 9

FIG. 11

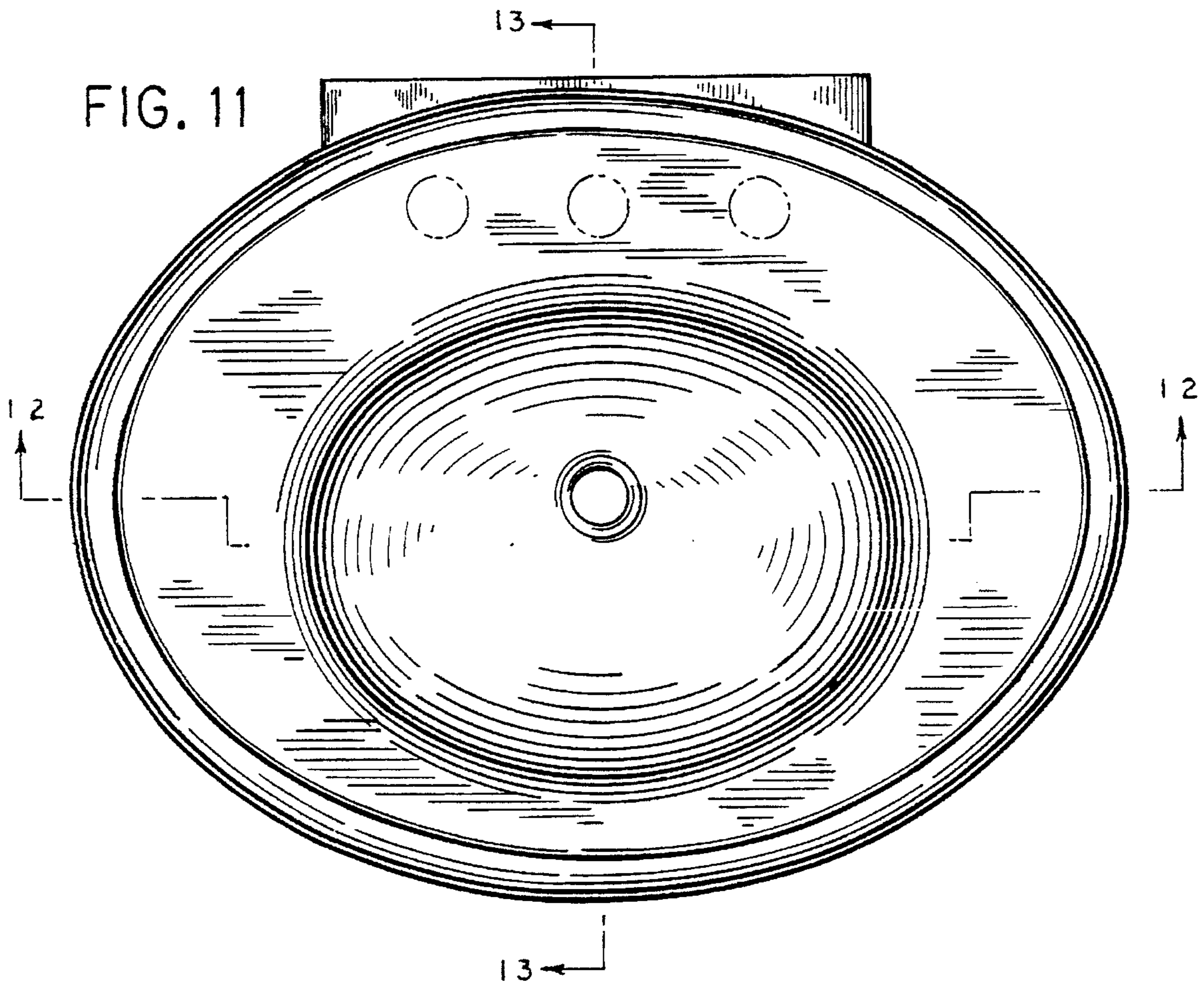


FIG. 12

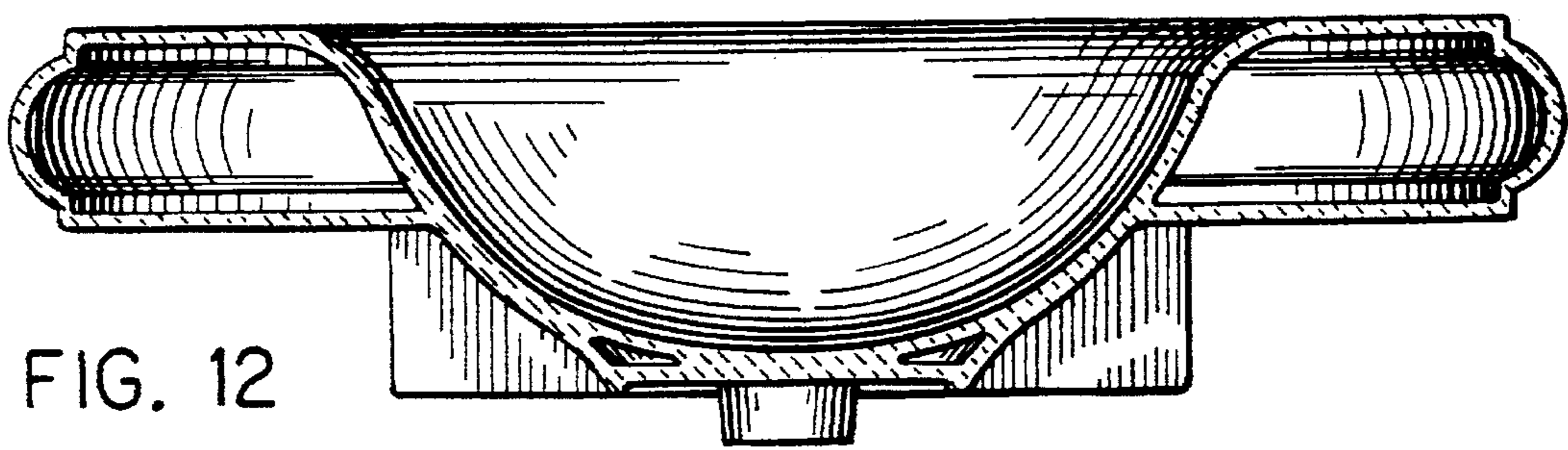


FIG. 13

