



US00D380039S

United States Patent [19]

Sutherland et al.

[11] Patent Number: Des. 380,039

[45] Date of Patent: **Jun. 17, 1997

[54] GASKET

[75] Inventors: Ian Bruce Sutherland; Anthony R. Paleczny, both of Kitchener, Canada

[73] Assignee: N C Rubber Products Inc., Kitchener, Canada

[**] Term: 14 Years

[21] Appl. No.: 47,132

[22] Filed: Nov. 27, 1995

[51] LOC (6) Cl. 23-01

[52] U.S. Cl. D23/269

[58] Field of Search D23/269; 277/207 A, 277/171, 225, 206 A, 215; 285/910, 231, 374

[56] **References Cited**

U.S. PATENT DOCUMENTS

- 2,888,281 5/1959 Ratti 277/206 A X
- 3,003,799 10/1961 Marchionda et al. 277/182 X
- 3,017,190 1/1962 Lindstrom 277/187

- 4,103,901 8/1978 Ditcher 277/207 A X
- 4,159,829 7/1979 Ditcher 285/231 X
- 4,501,431 2/1985 Peisker et al. 277/208 X

FOREIGN PATENT DOCUMENTS

- 3232075 3/1984 Germany 277/207 A
- 159086 6/1957 Sweden 277/225

Primary Examiner—Ted Shooman
Assistant Examiner—C. Tuttle
Attorney, Agent, or Firm—Arne I. Fors; Dale E. Schlosser; John R. Rudolph

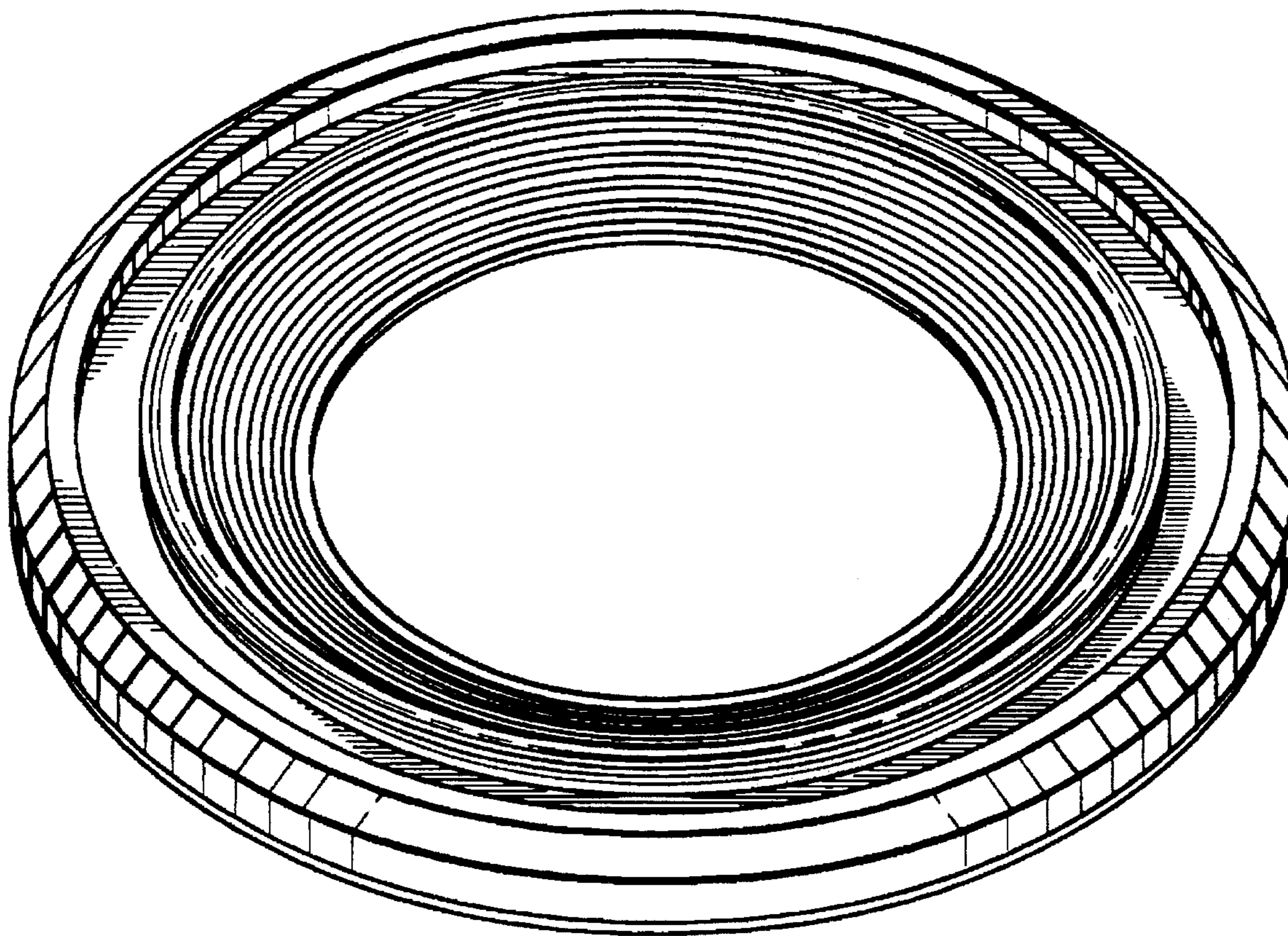
[57] **CLAIM**

The ornamental design for a gasket, as shown and described.

DESCRIPTION

FIG. 1 is a perspective view of a gasket showing our new design;
FIG. 2 is a top plan view of the design of FIG. 1;
FIG. 3 is a side elevational view of the design of FIG. 1 all sides appearing the same; and,
FIG. 4 is a bottom plan of the design of FIG. 1.

1 Claim, 2 Drawing Sheets



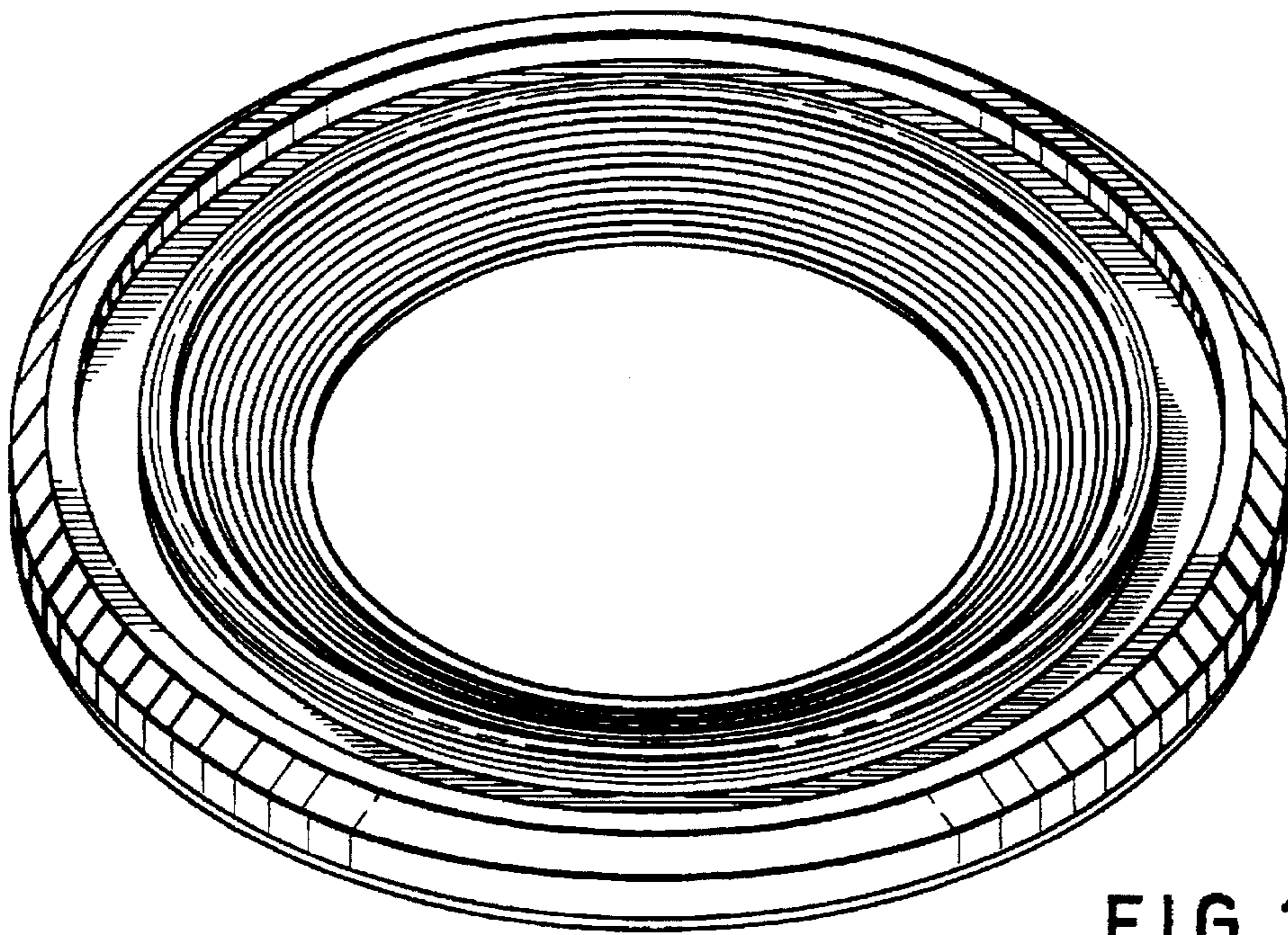


FIG. 1

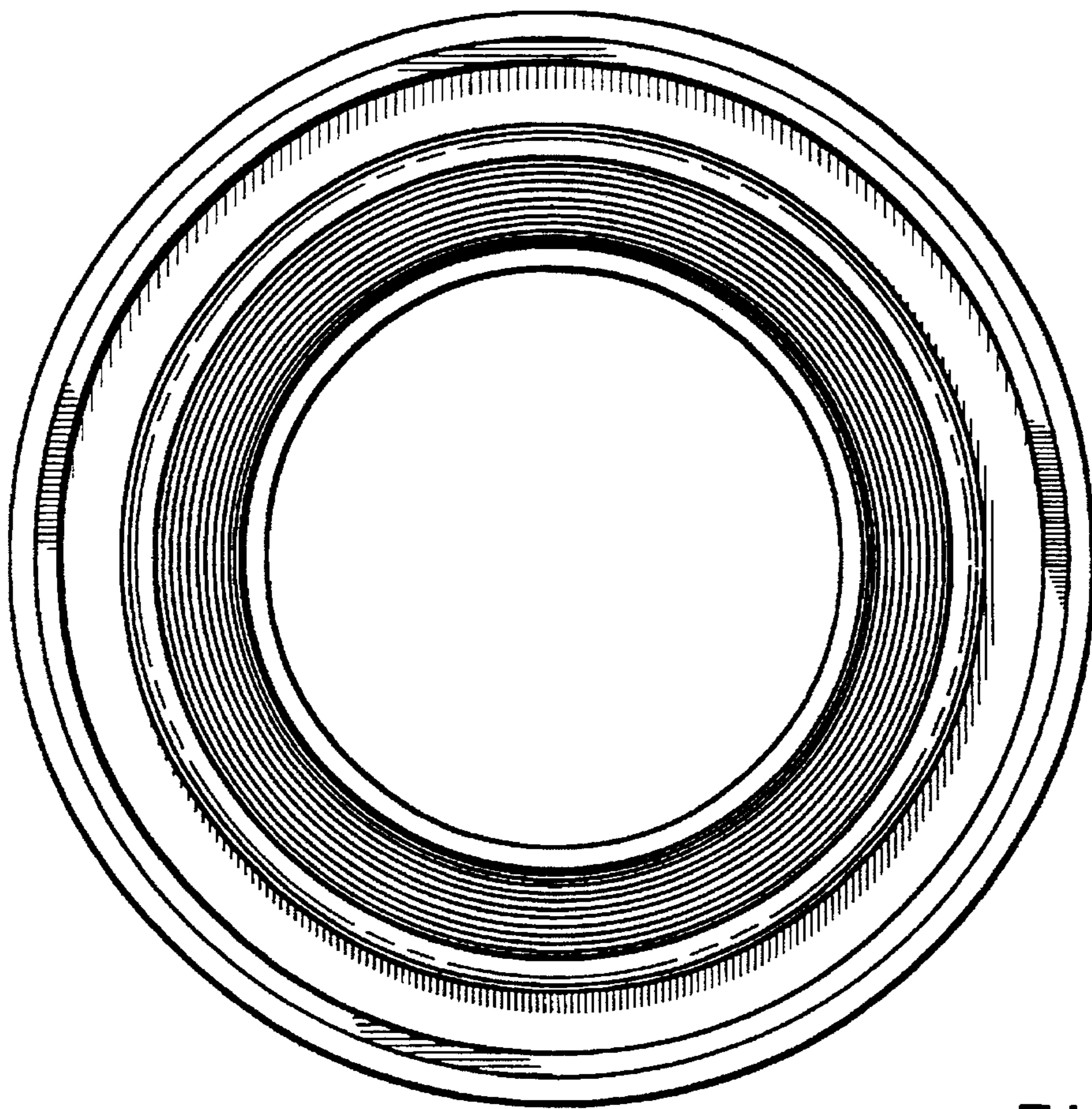


FIG. 2

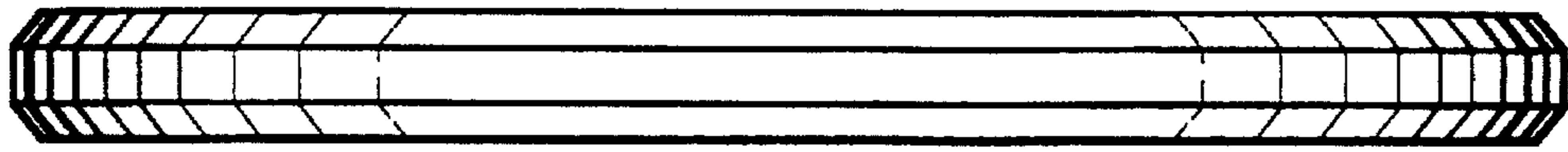


FIG. 3

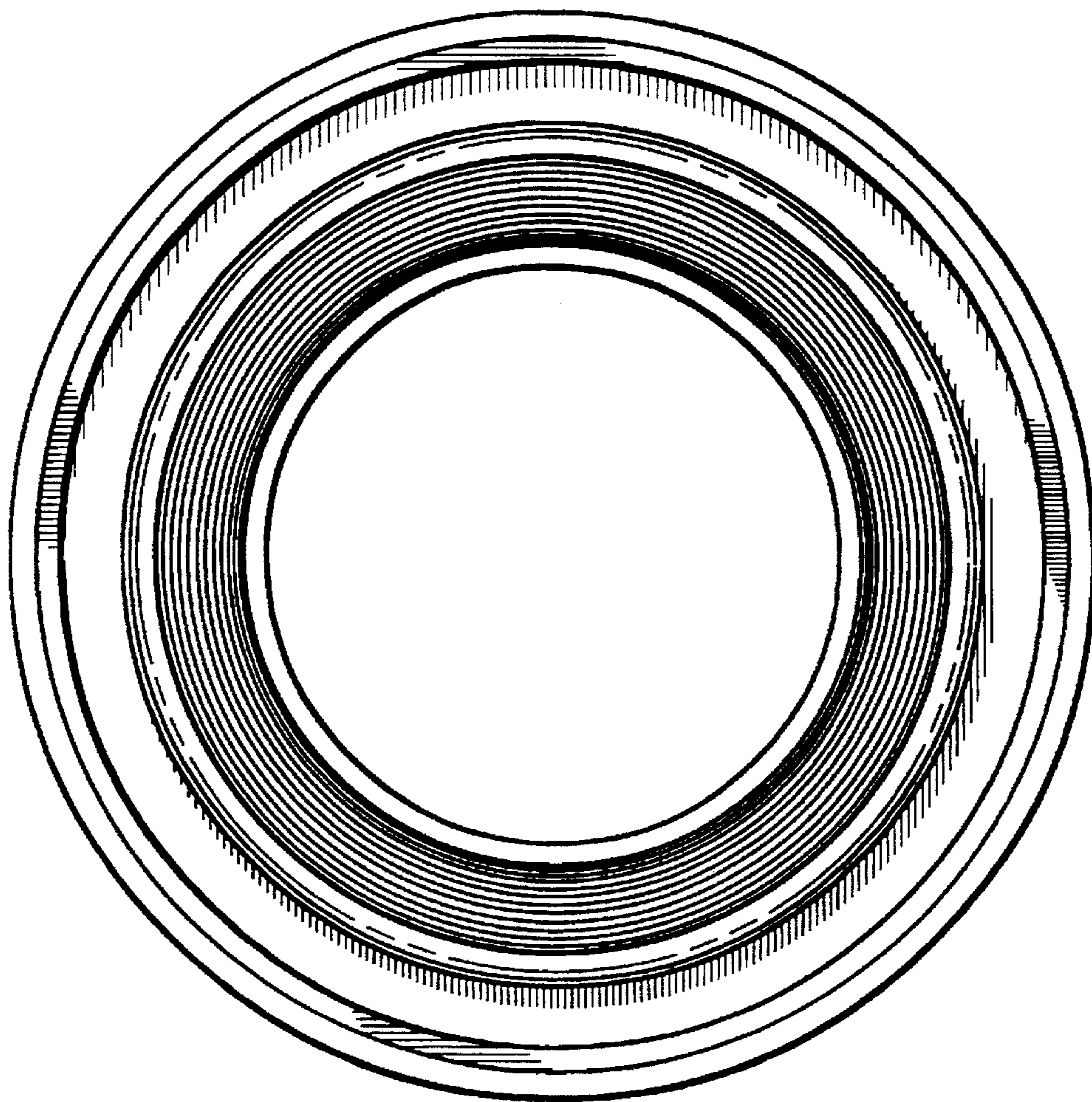


FIG. 4