



US00D380037S

United States Patent [19]
Grantham

[11] **Patent Number: Des. 380,037**
[45] **Date of Patent: **Jun. 17, 1997**

[54] **COAXIAL HOSE FITTING**

[75] **Inventor: Rodger P. Grantham**, Springfield, Mo.

[73] **Assignee: Vapor Systems Technologies, Inc.**,
Dayton, Ohio

[**] **Term: 14 Years**

[21] **Appl. No.: 42,679**

[22] **Filed: Aug. 14, 1995**

[51] **LOC (6) Cl. 23-01**

[52] **U.S. Cl. D23/262**

[58] **Field of Search** D23/259, 260,
D23/262-264, 266; D24/129, 110.4, 110.5,
110.6; 285/177, 239, 370, 397; 138/109;
251/149.1, 149.6

[56] **References Cited**

U.S. PATENT DOCUMENTS

D. 237,631	11/1975	Katzman	D24/129
D. 300,361	3/1989	Tokarz	D24/129
D. 305,355	1/1990	Bricker	D23/247
3,365,220	1/1968	Rusche	285/397
3,666,586	5/1972	Lacey	138/155 X
4,312,551	1/1982	Mascolo et al.	285/370 X
4,726,612	2/1988	Picton	285/179 X
5,267,592	12/1993	Kaplan et al.	
5,273,254	12/1993	McNaughton et al.	251/149.6
5,365,984	11/1994	Simpson et al.	

FOREIGN PATENT DOCUMENTS

1167610	4/1964	Germany	285/239
1775578	8/1971	Germany	251/149.1

OTHER PUBLICATIONS

Lincoln Controls Hydraulic, Pneumatic Systems & Equipment ©1982 p.15—Double Acting, Double Ended Cylinder, 2nd from top.

Primary Examiner—Ted Shooman

Assistant Examiner—C. Tuttle

Attorney, Agent, or Firm—Jacox, Meckstroth & Jenkins

[57] **CLAIM**

The ornamental design for a coaxial hose fitting, as shown and described.

DESCRIPTION

FIG. 1 is a side elevational view of my new design for a coaxial hose fitting, seen from the top of FIG. 5; FIG. 2 is an elevational view seen from the right side of FIG. 5; FIG. 3 is an elevational view of the opposite side of FIG. 1; FIG. 4 is an elevational view of the opposite side of FIG. 2 in an inverted position; FIG. 5 is an elevational view of the left end of FIGS. 1-4; and, FIG. 6 is an elevational view of the right end of FIG. 1-4.

1 Claim, 1 Drawing Sheet

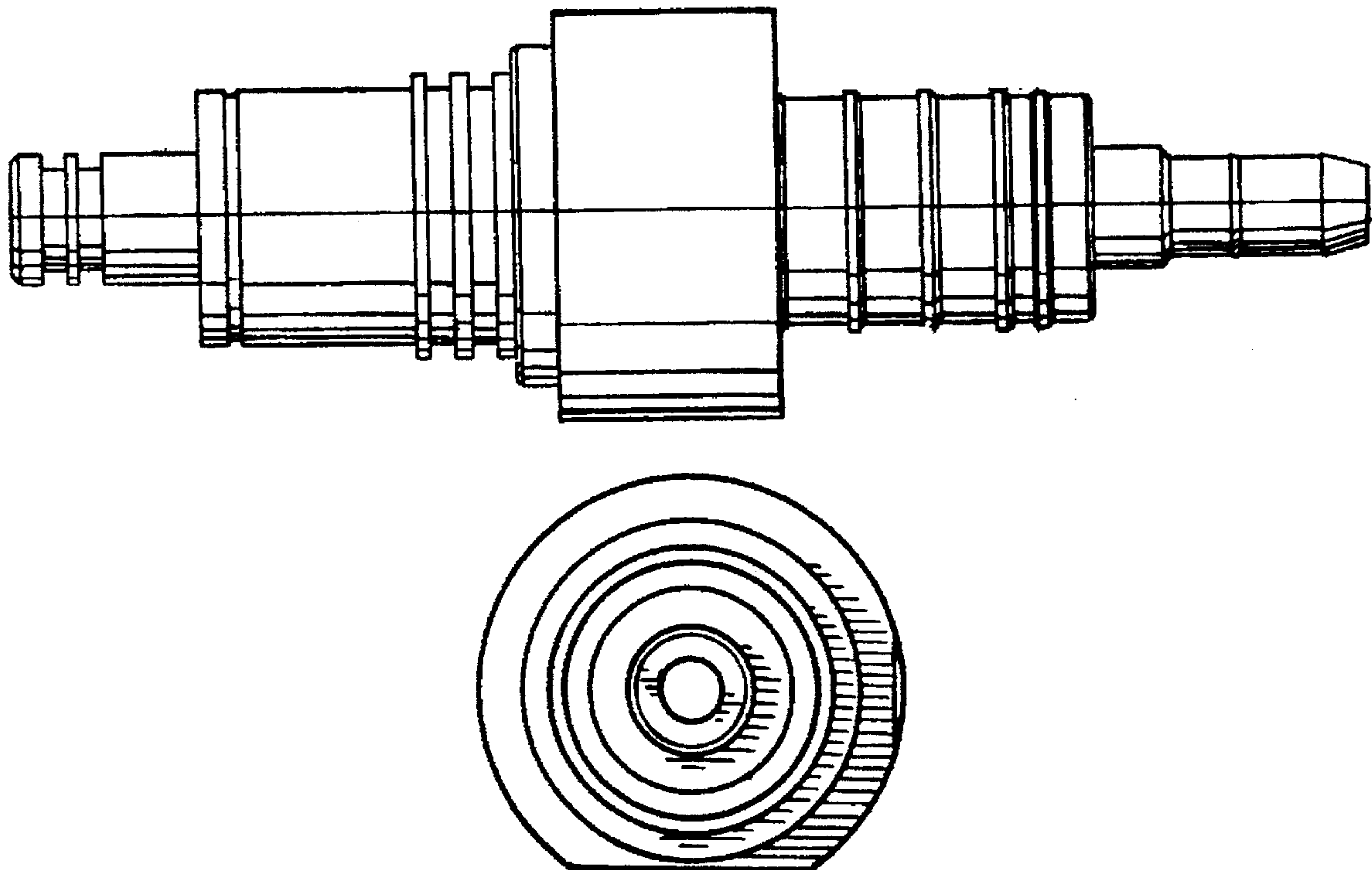


FIG-1

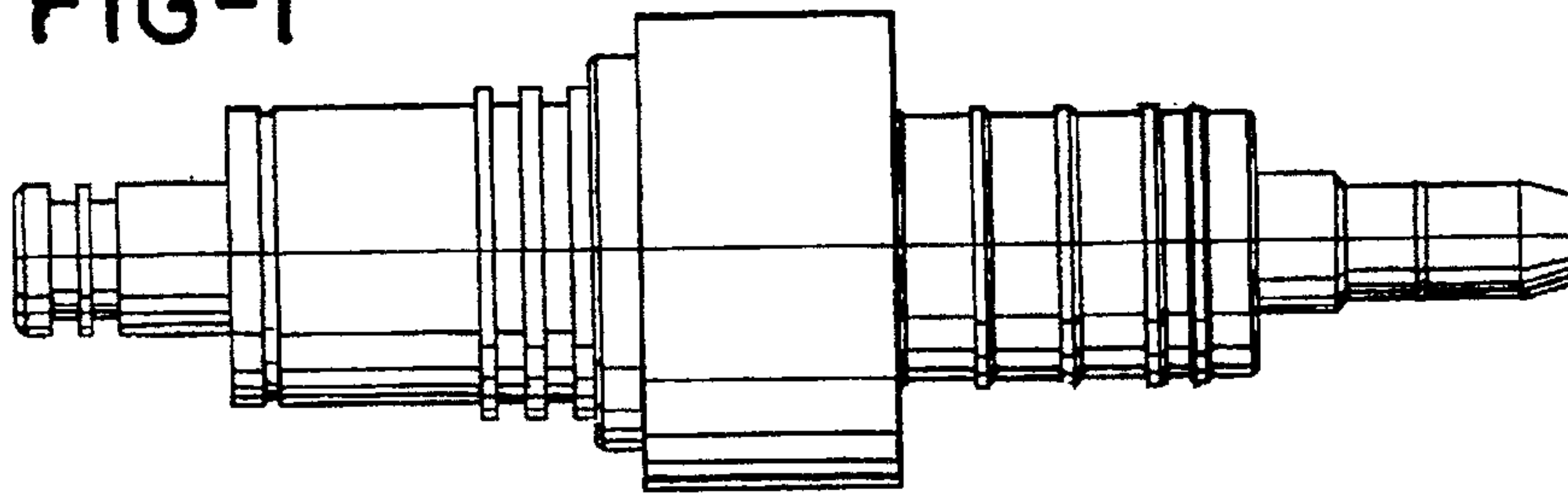


FIG-2

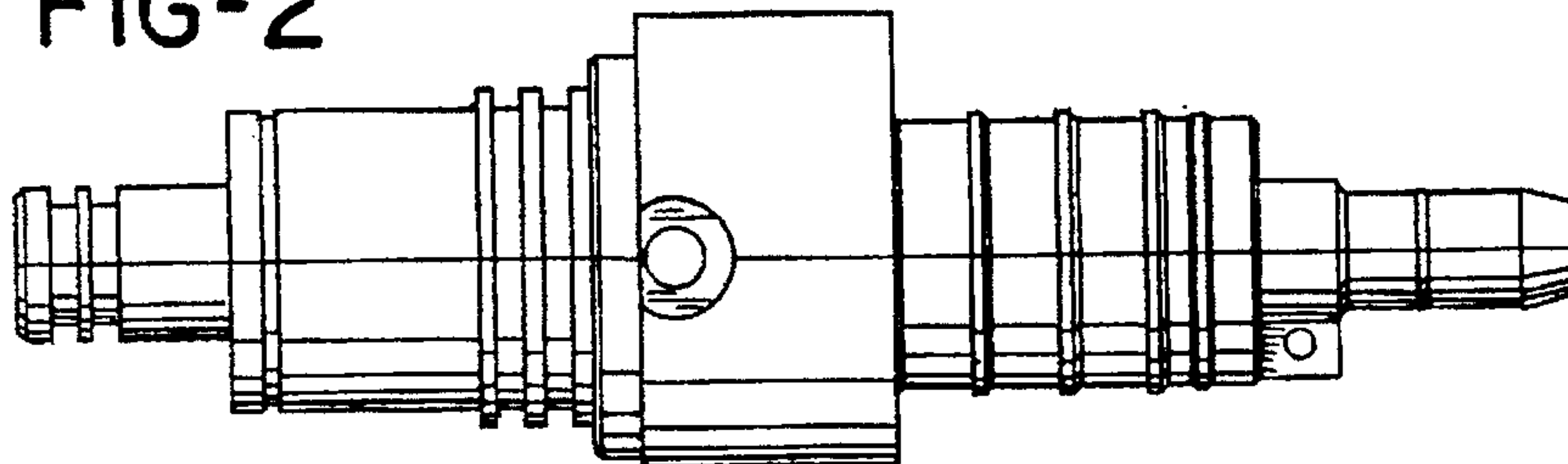


FIG-3

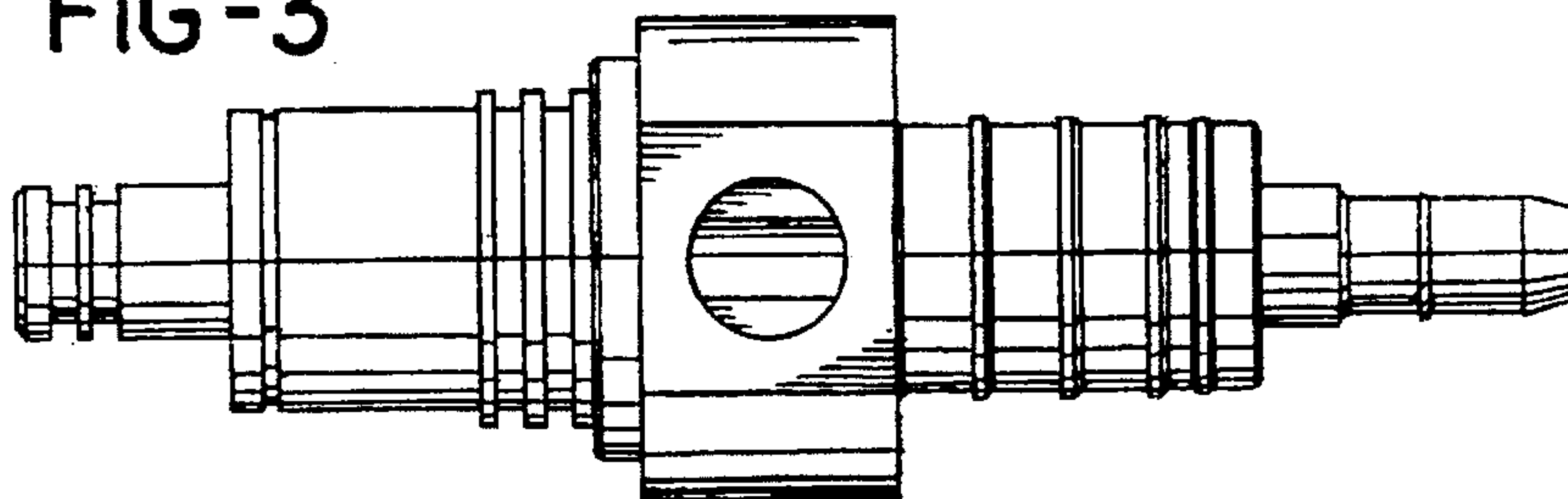


FIG-4

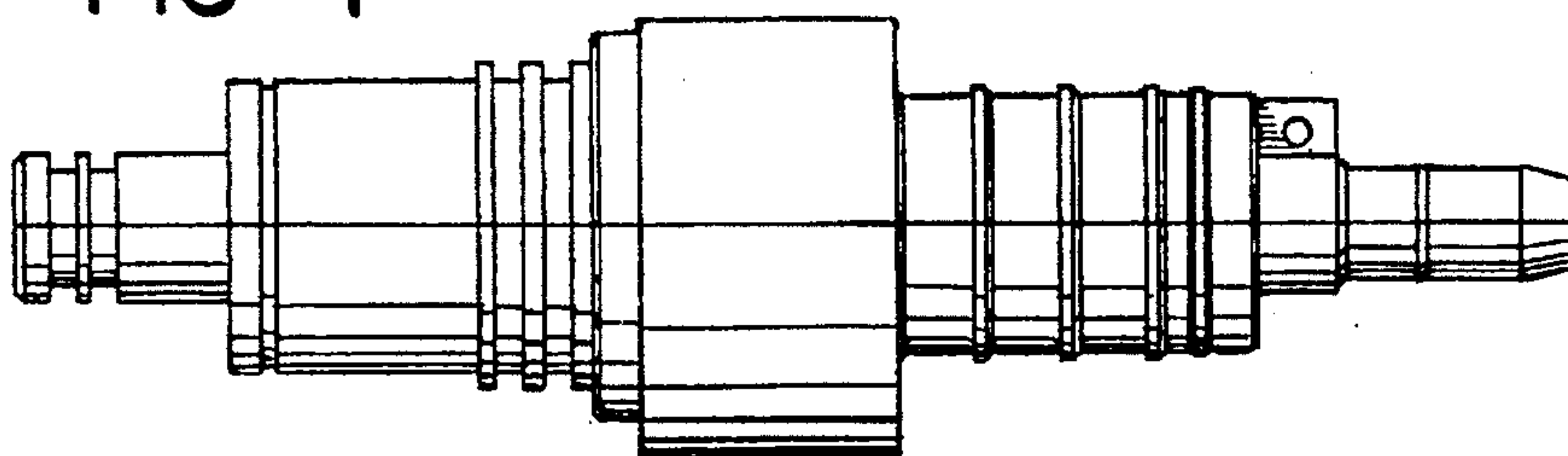


FIG-5

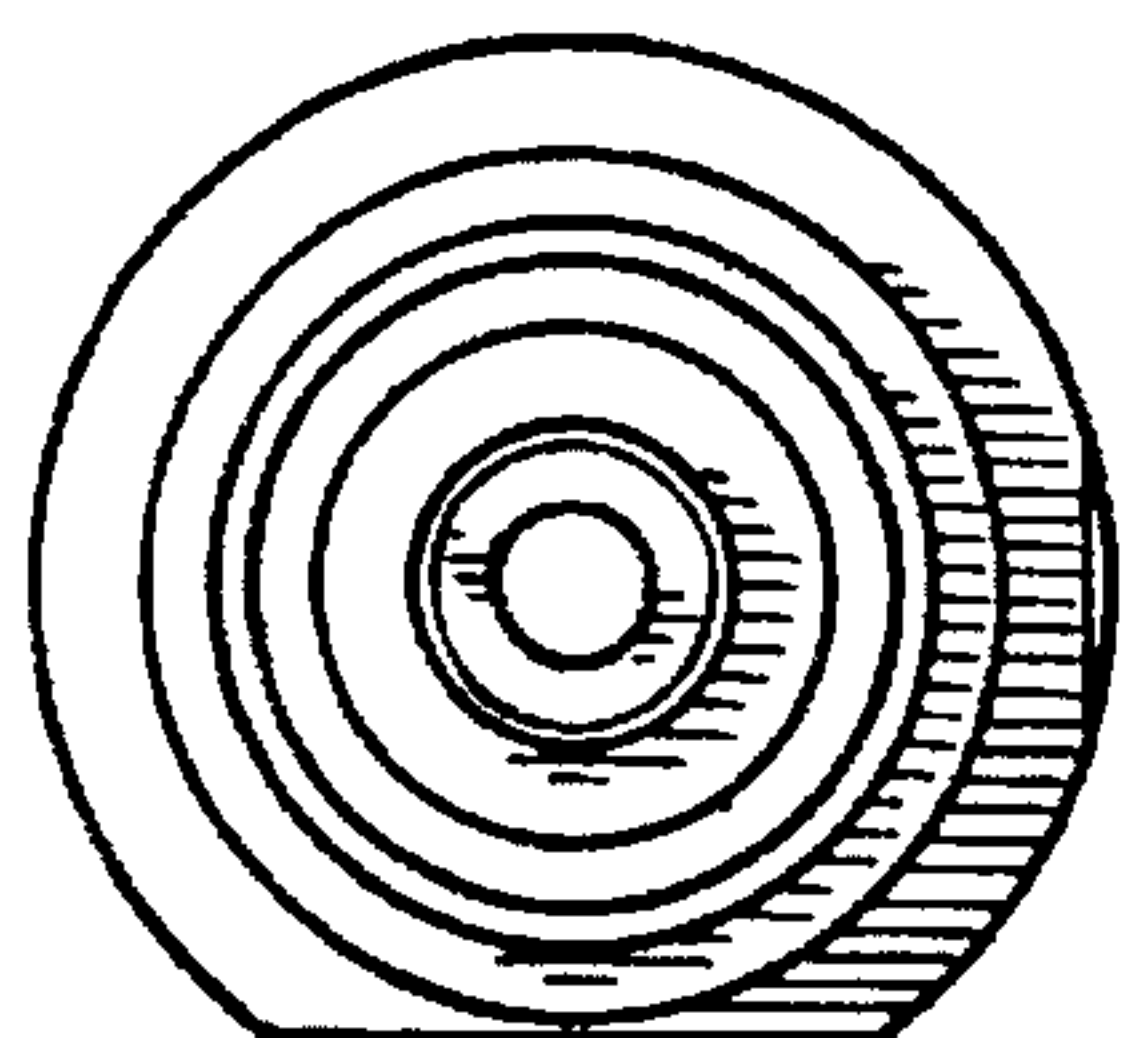


FIG-6

