



US00D380035S

United States Patent [19]

Wagner

[11] Patent Number: Des. 380,035

[45] Date of Patent: **Jun. 17, 1997

[54] FAUCET SET

[75] Inventor: Sherle Wagner, New York, N.Y.

[73] Assignee: Sherle Wagner International, Inc.,
New York, N.Y.

[**] Term: 14 Years

[21] Appl. No.: 39,545

[22] Filed: May 26, 1995

[51] LOC (6) Cl. 23-01

[52] U.S. Cl. D23/242

[58] Field of Search D23/238-243,
D23/250-257; 4/675-678; 137/801

[56] References Cited

U.S. PATENT DOCUMENTS

- D. 303,565 9/1989 Paul D23/242
- D. 314,231 1/1991 Strignano D23/242
- D. 321,752 11/1991 Paul D23/242

Primary Examiner—Stella Reid
Assistant Examiner—Eric Watterson

Attorney, Agent, or Firm—Edgar A. Zarins; Malcolm L. Sutherland

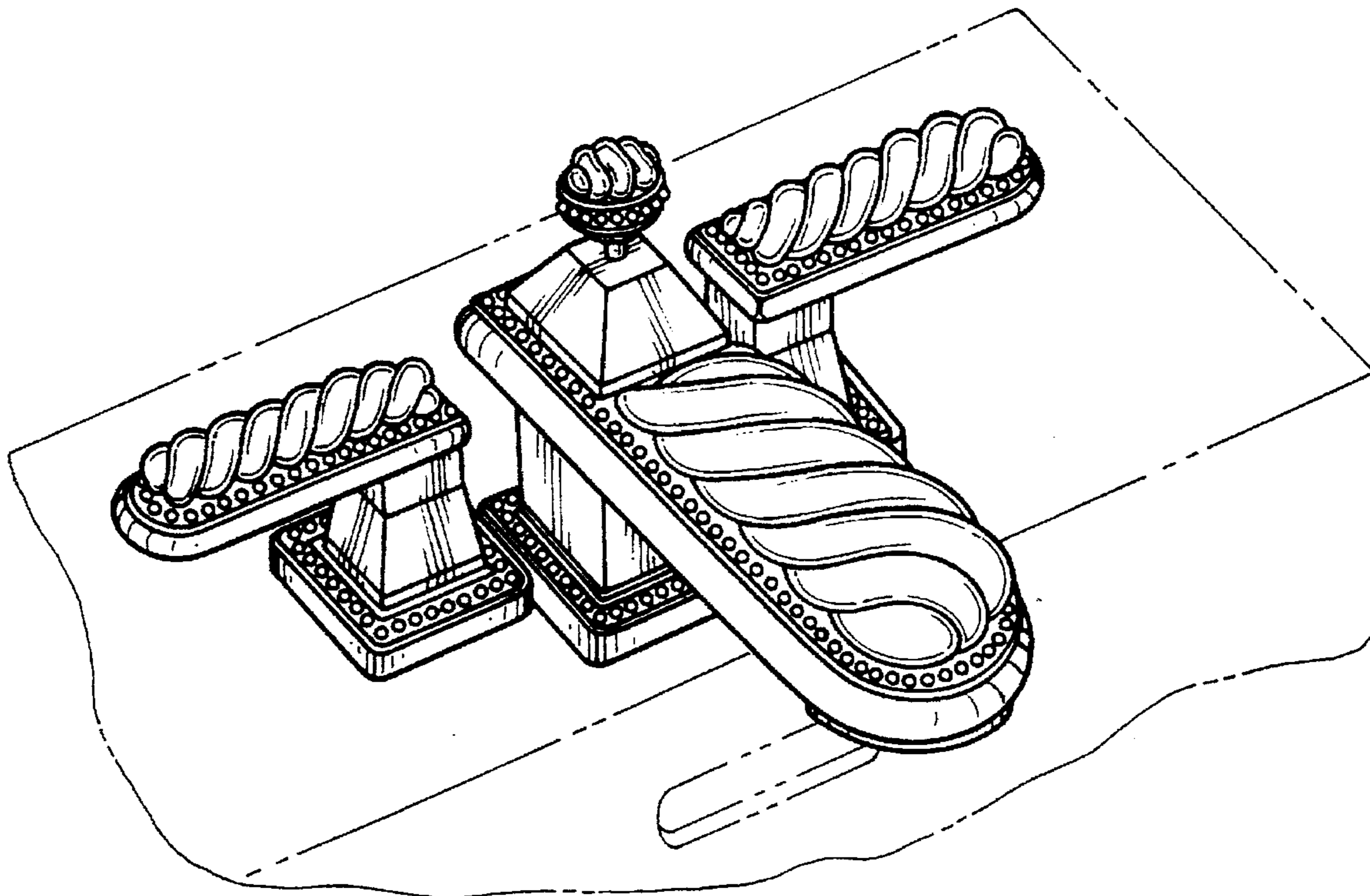
[57] CLAIM

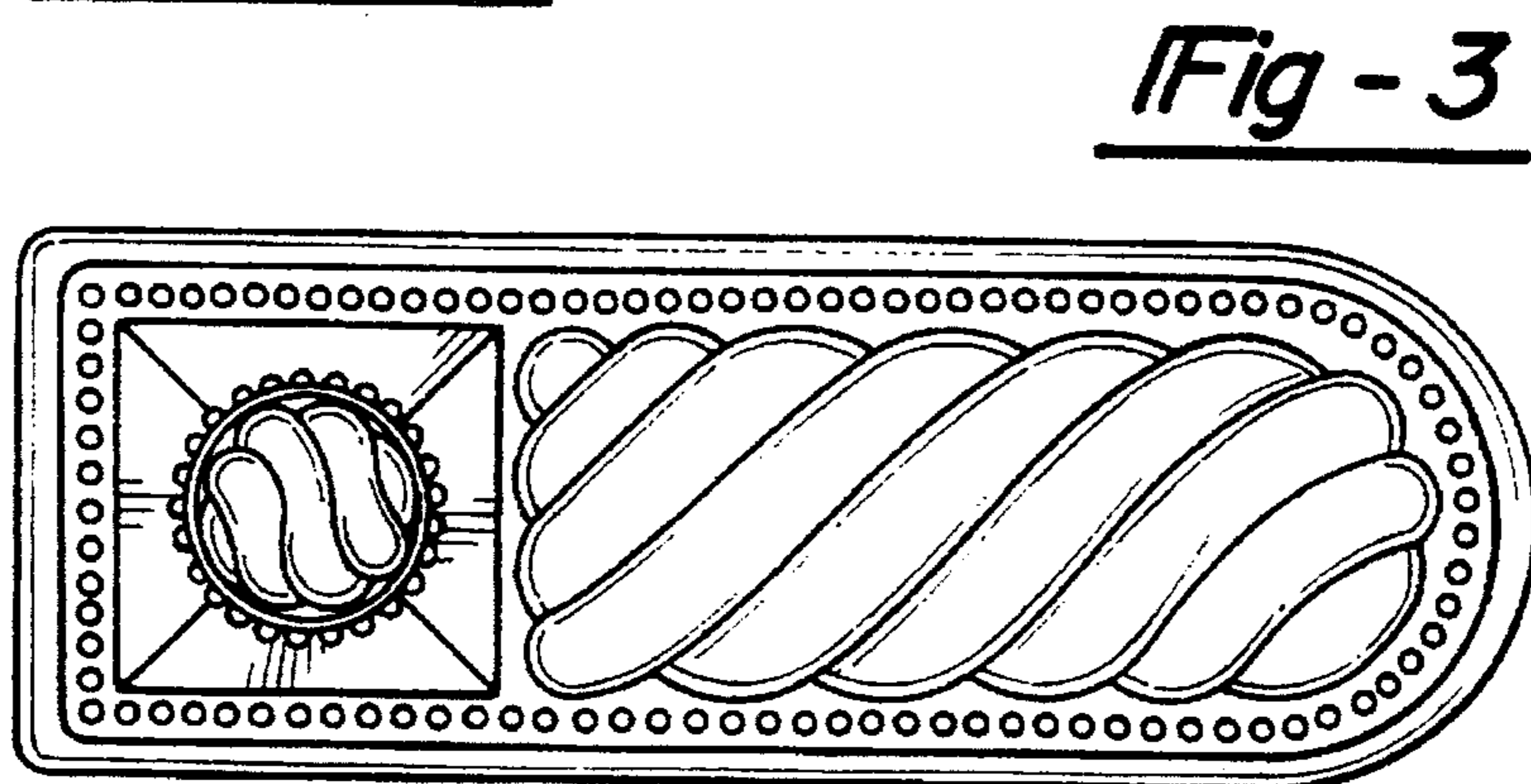
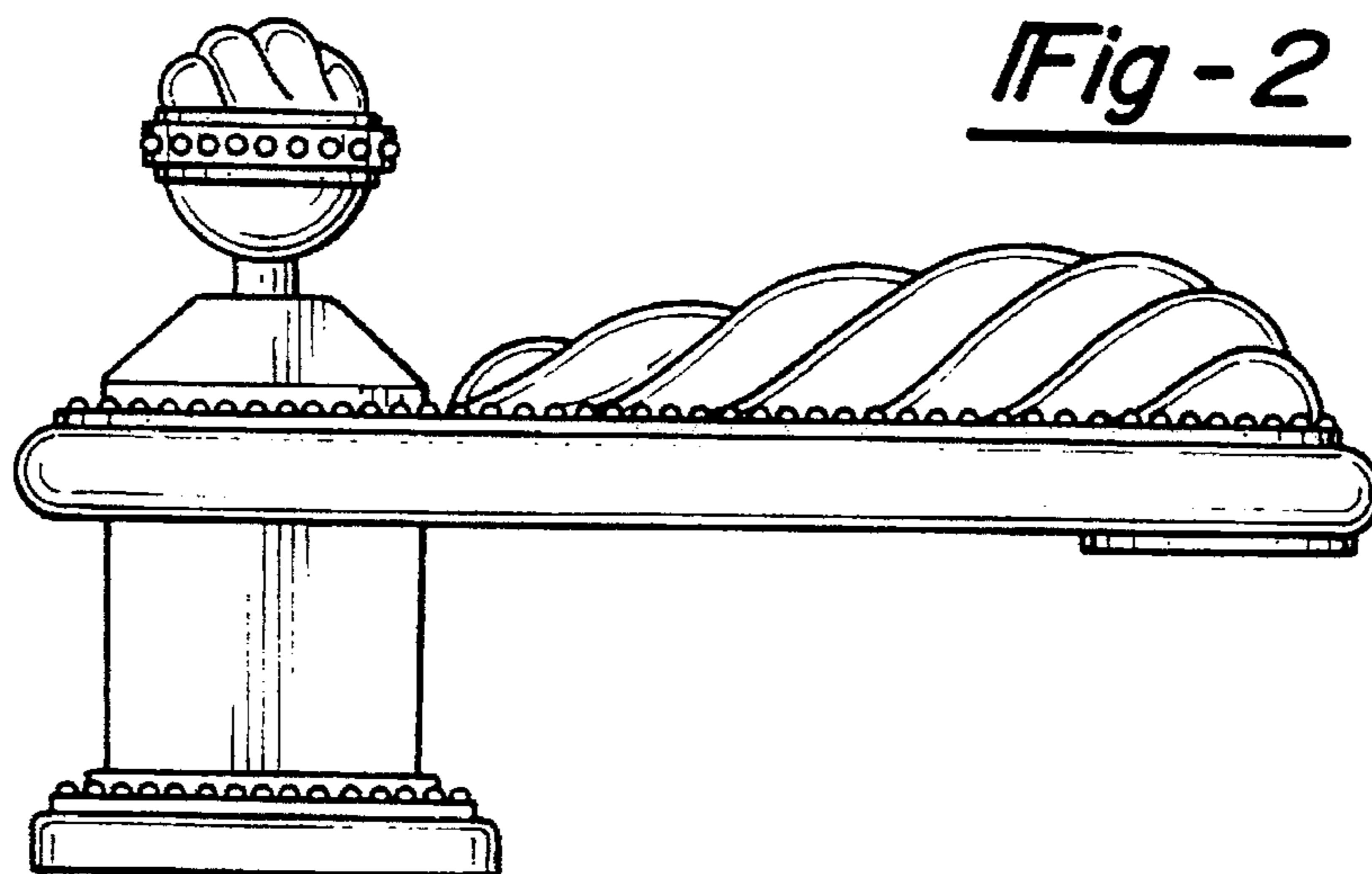
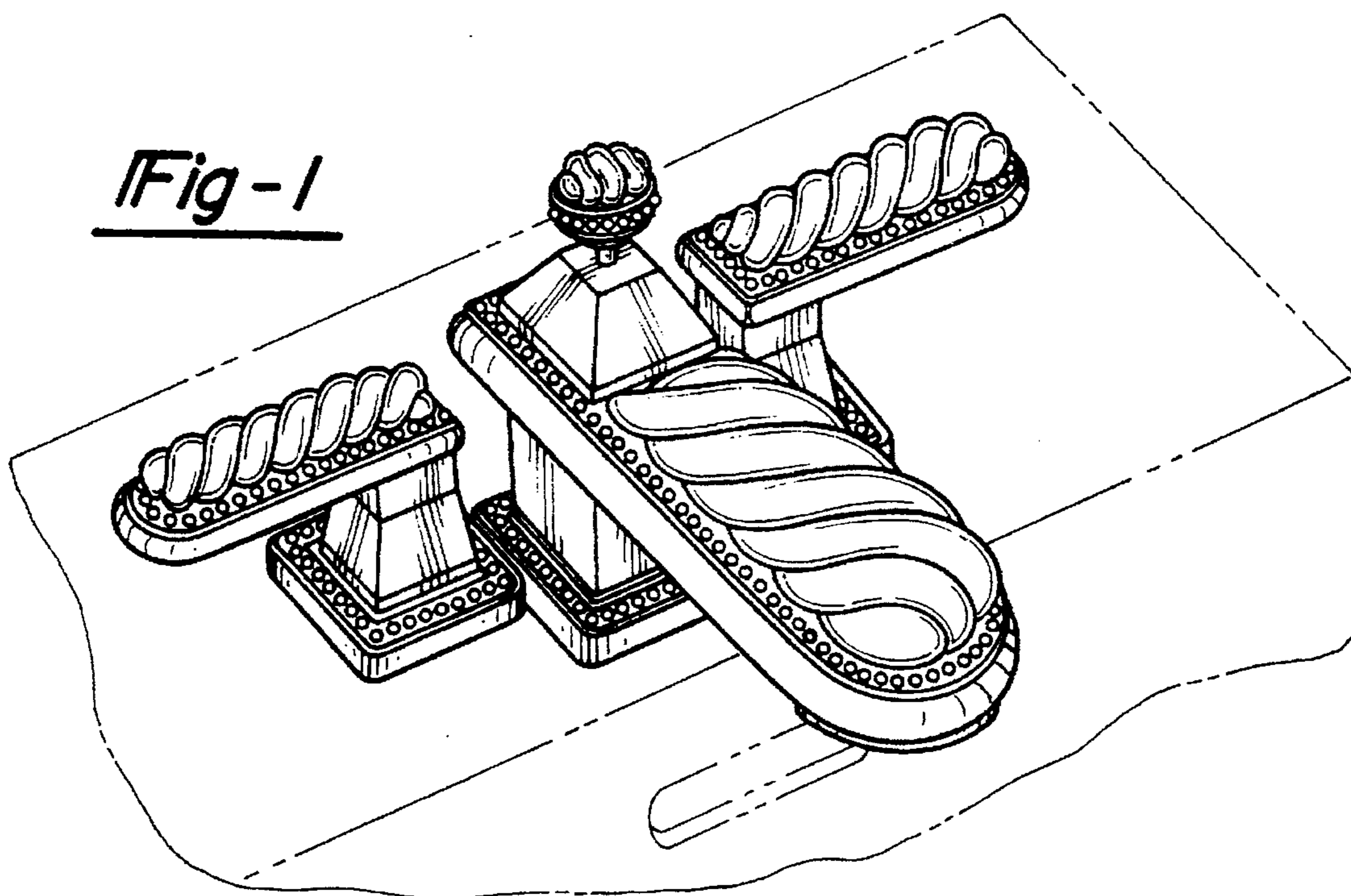
The ornamental design for a faucet set, as shown and described.

DESCRIPTION

FIG. 1 is a perspective view of a faucet set showing my new design;
 FIG. 2 is a side view of the faucet set spout, the opposite side being a mirror image of the side shown;
 FIG. 3 is a top plan view thereof; and
 FIG. 4 is a front elevational view thereof;
 FIG. 5 is a rear elevational view thereof;
 FIG. 6 is a side view of the faucet set handle, the opposite side being a mirror image of the side shown;
 FIG. 7 is a right side elevational thereof;
 FIG. 8 is a top plan view thereof; and,
 FIG. 9 is a left side elevational view thereof.
 The broken line showing is for illustrative purposes only and forms no part of the claimed design.
 The bottom view of the article is plain and unornamented.

1 Claim, 2 Drawing Sheets





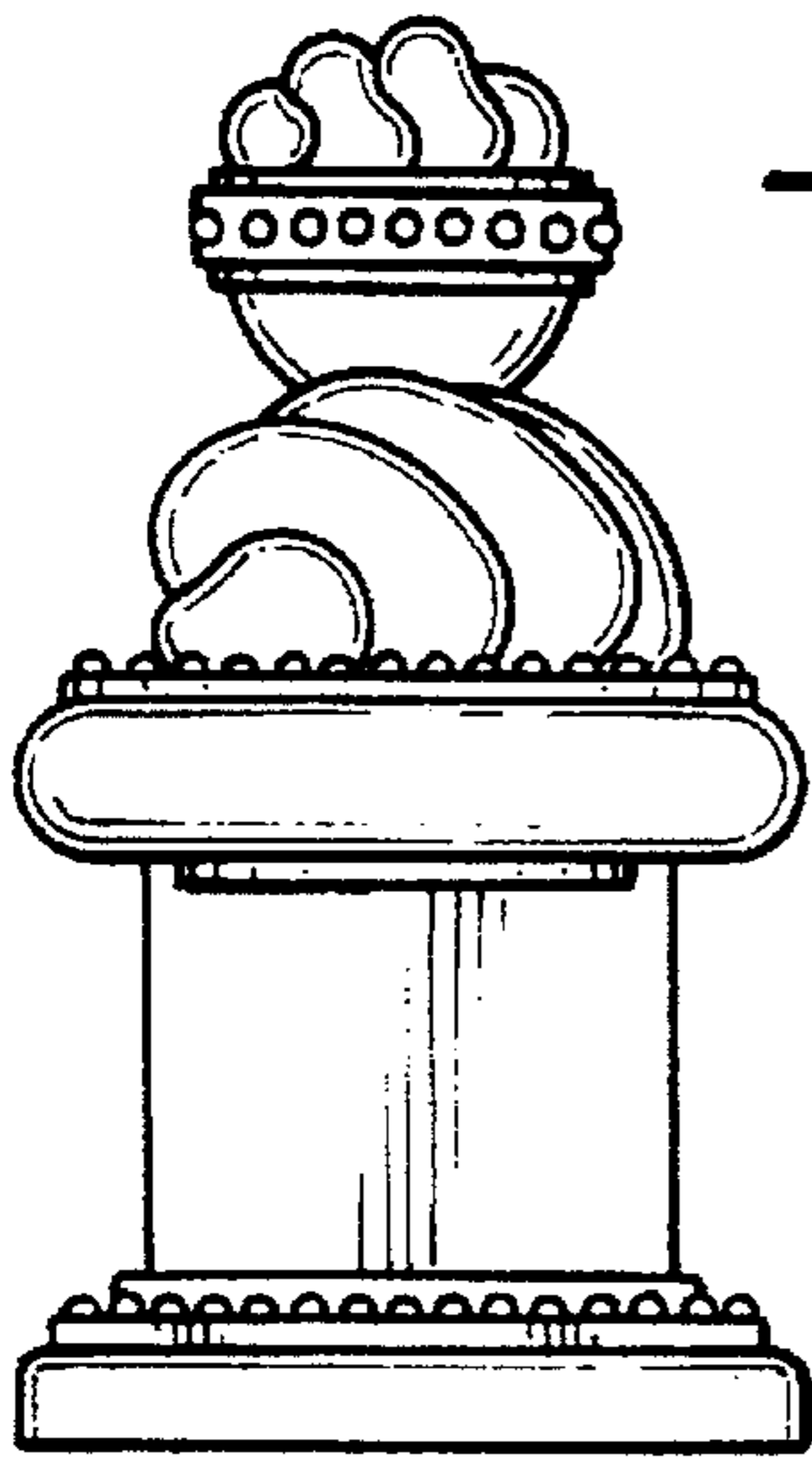


Fig - 4

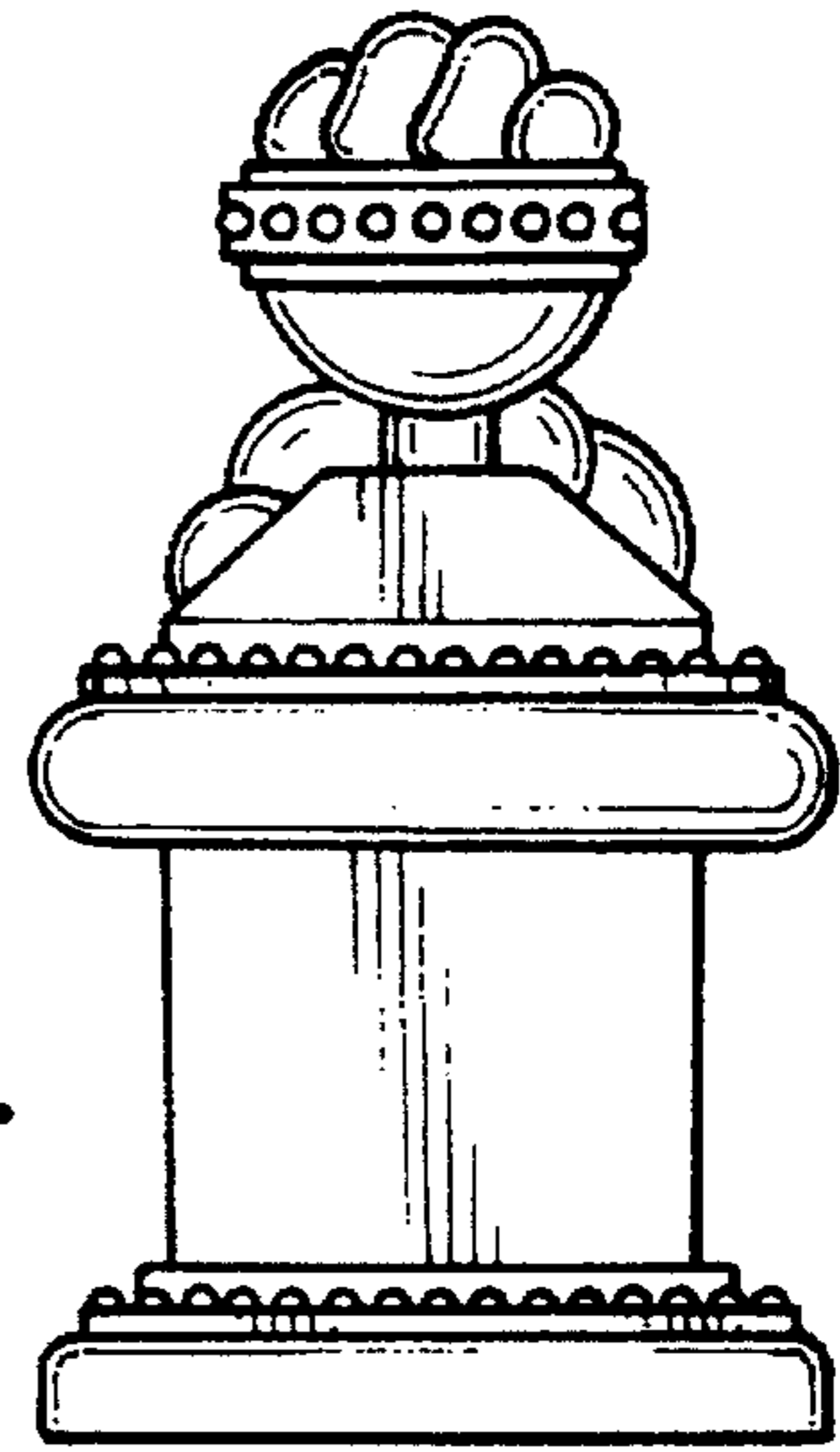


Fig - 5

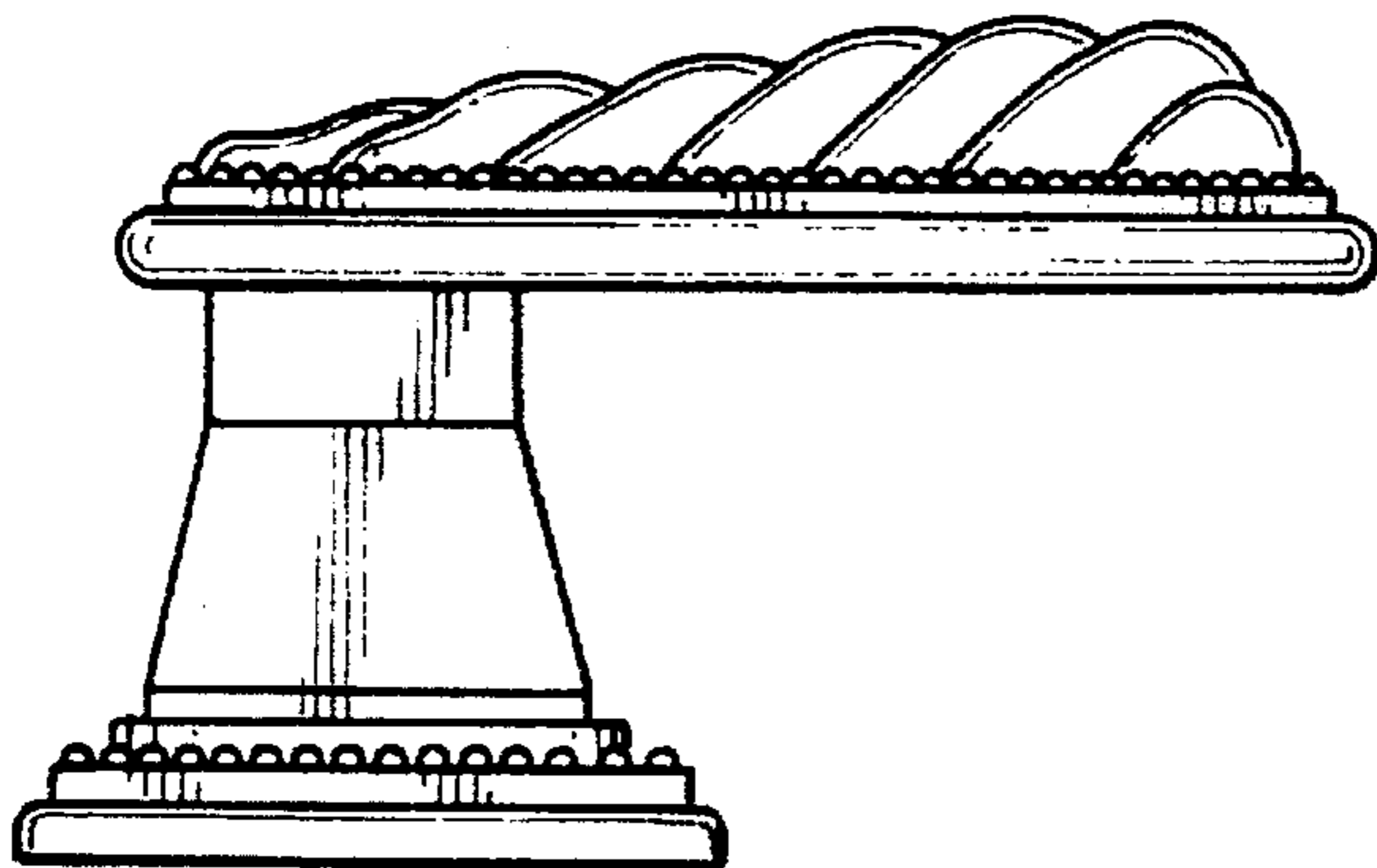


Fig - 6

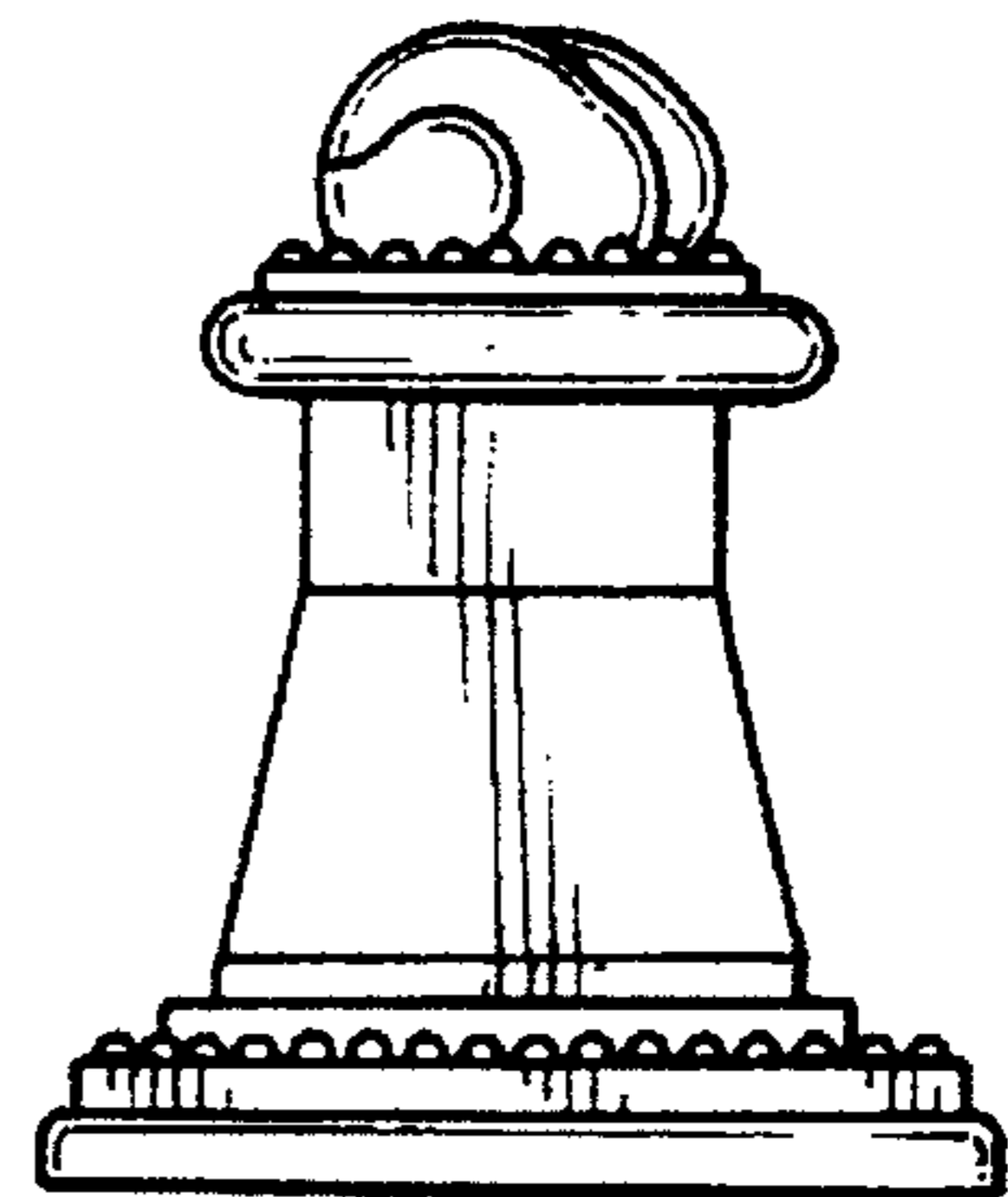


Fig - 7

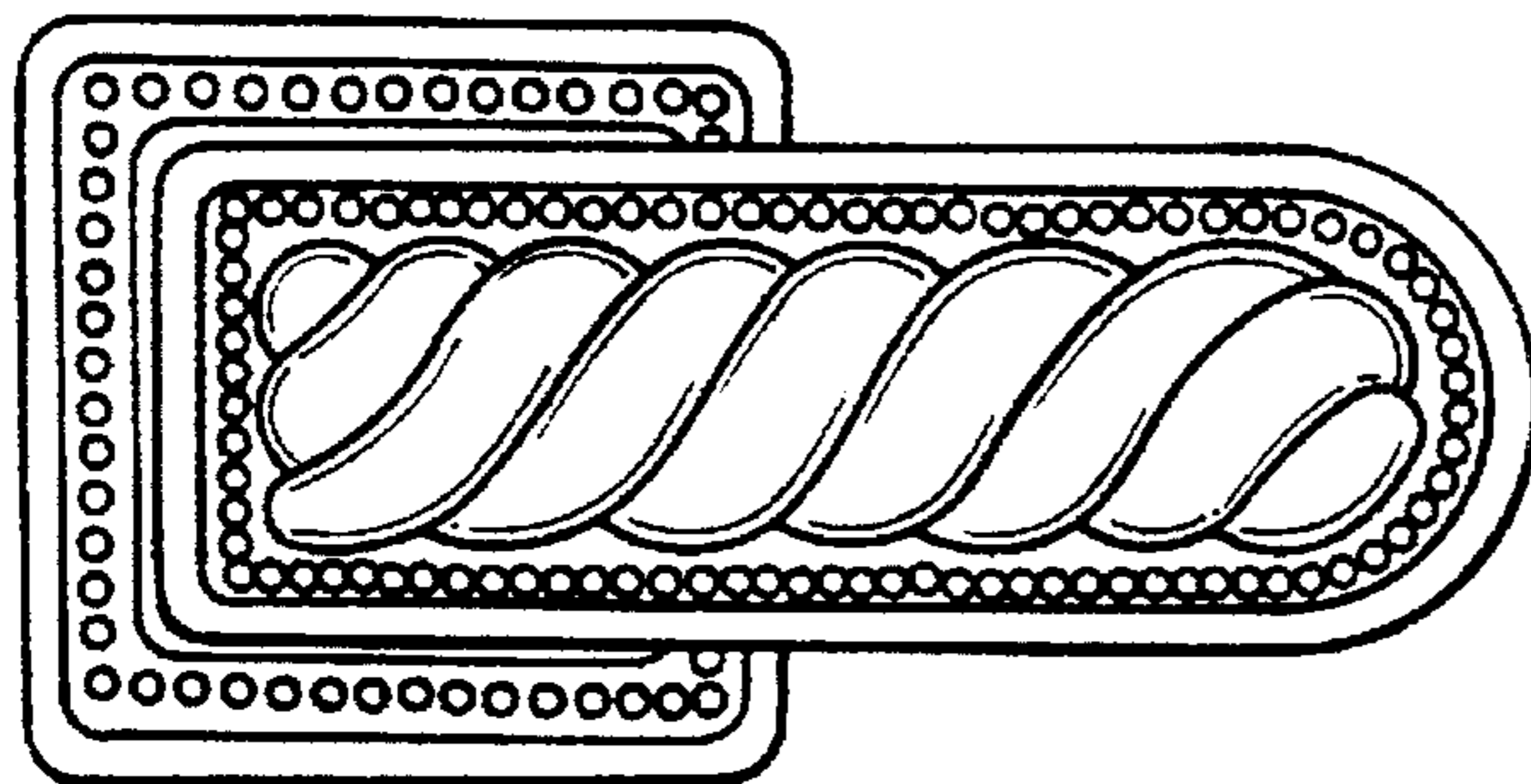


Fig - 8

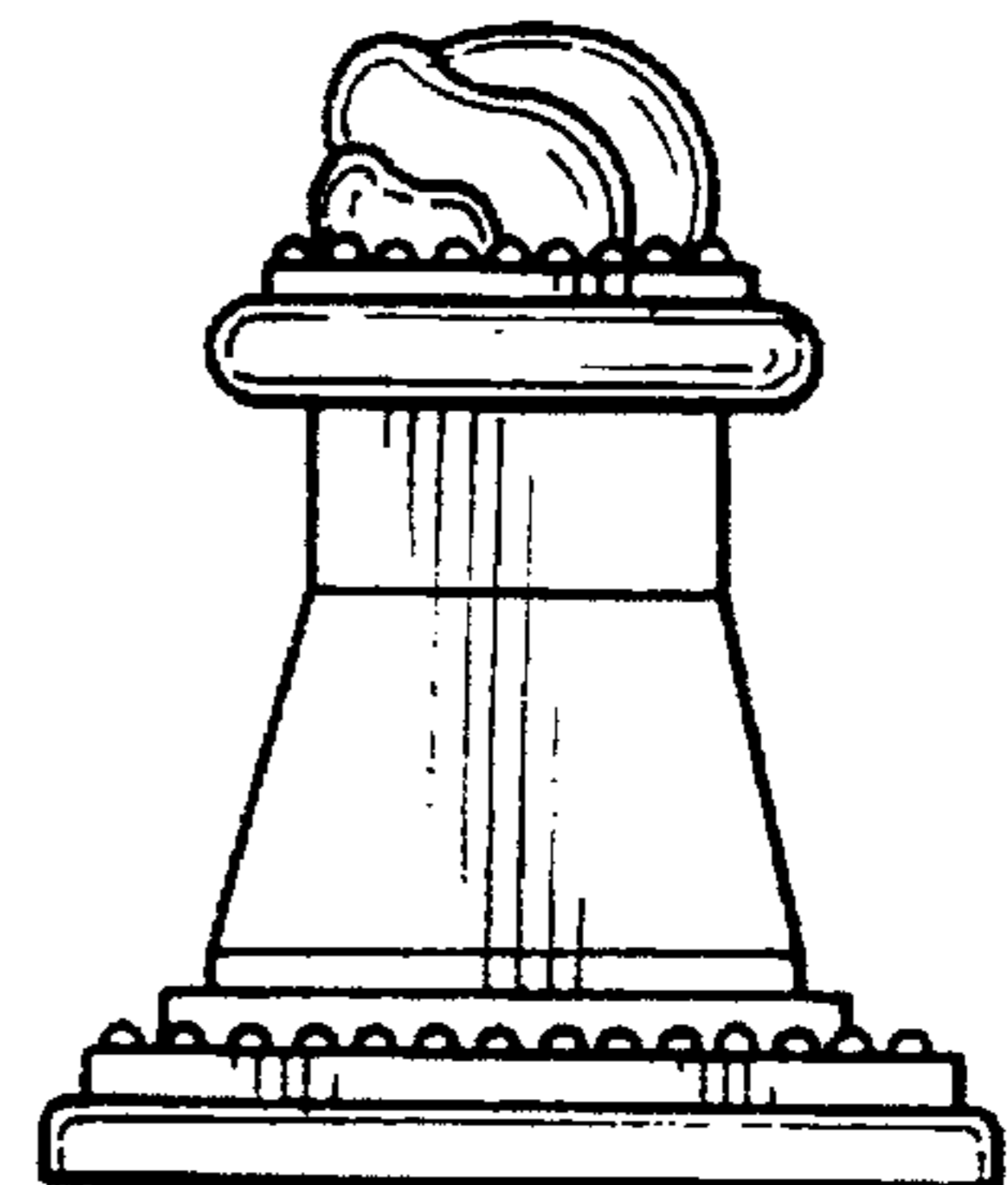


Fig - 9