



US00D380034S

United States Patent [19]
Simonette

[11] **Patent Number: Des. 380,034**
[45] **Date of Patent: **Jun. 17, 1997**

[54] **FLOW NOZZLE**

[76] **Inventor: Dallas Simonette, 13500 Hidden Creek Dr., Andover, Minn. 55304**

[**] **Term: 14 Years**

[21] **Appl. No.: 54,981**

[22] **Filed: May 28, 1996**

D. 311,606 10/1990 Henry D23/213
4,562,964 1/1986 Diamond 239/288.5
5,291,621 3/1994 Mathis 239/414

Primary Examiner—A. Hugo Word
Assistant Examiner—Robin V. Taylor
Attorney, Agent, or Firm—Janal M. Kalis

Related U.S. Application Data

[62] Division of Ser. No. 39,711, Jun. 2, 1995, Pat. No. Des. 375,344.

[51] **LOC (6) Cl. 15-02**

[52] **U.S. Cl. D23/218; D23/213**

[58] **Field of Search D23/213, 218;
239/380-3, 390-1, 373, 394, 276, 414,
415**

[57] **CLAIM**

The ornamental design for a flow nozzle, as shown and described.

DESCRIPTION

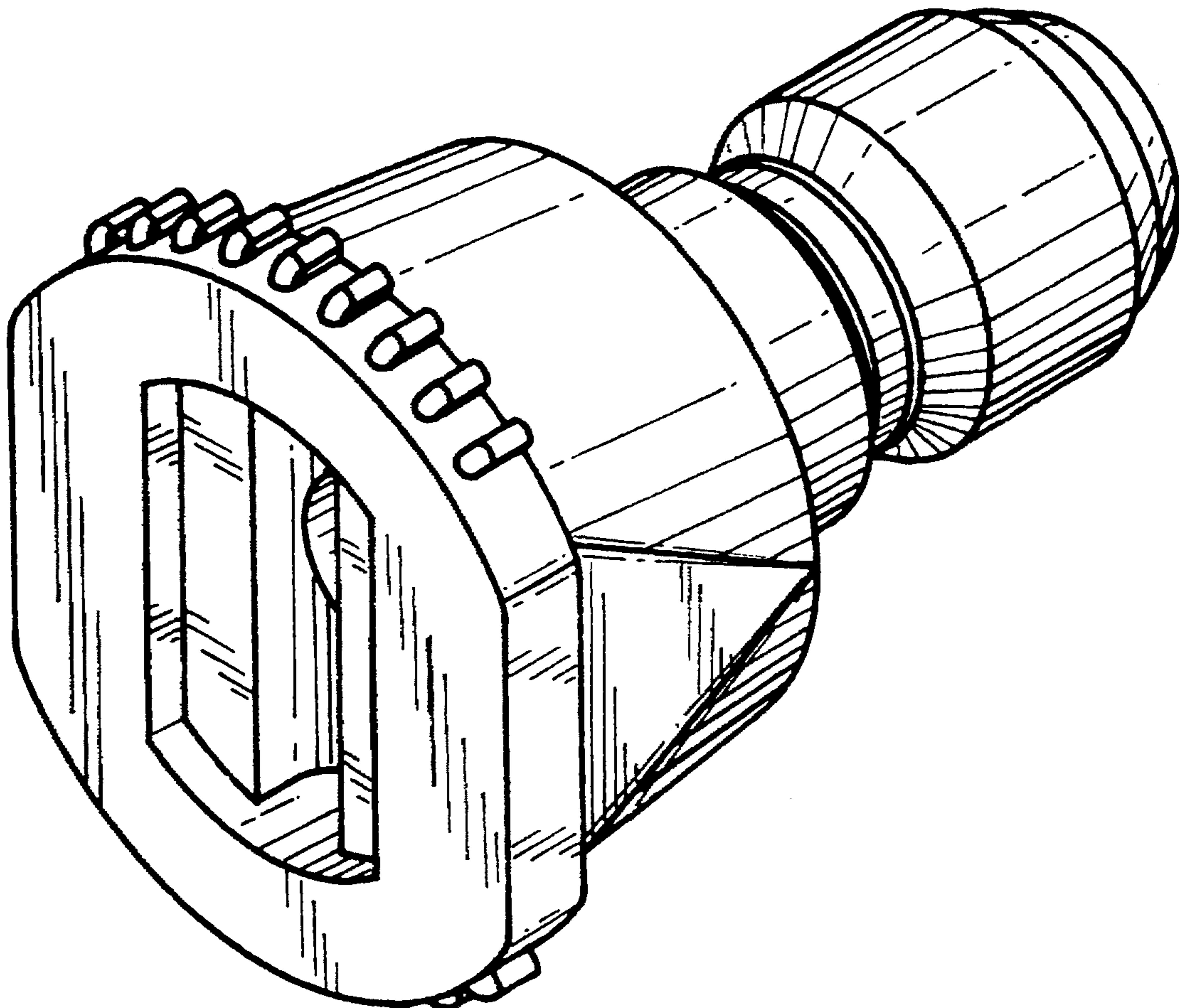
FIG. 1 is a perspective view of a flow nozzle showing our new design;
FIG. 2 is a side elevational view, taken from the left hand side of FIG. 1;
FIG. 3 is a side elevational view, taken from a right hand side of FIG. 1;
FIG. 4 is a side rotated elevational view, taken from the left hand, rotated side of FIG. 1;
FIG. 5 is a side rotated elevational view, taken from the right hand, rotated side of FIG. 1;
FIG. 6 is an elevated view of the front thereof; and,
FIG. 7 is an elevational view of the rear thereof.

[56] **References Cited**

U.S. PATENT DOCUMENTS

D. 132,183 4/1942 Lewis D23/213
D. 231,928 6/1974 Nelson D23/213
D. 235,261 6/1975 Wichman D23/213
D. 259,735 6/1981 Moreland D23/213

1 Claim, 3 Drawing Sheets



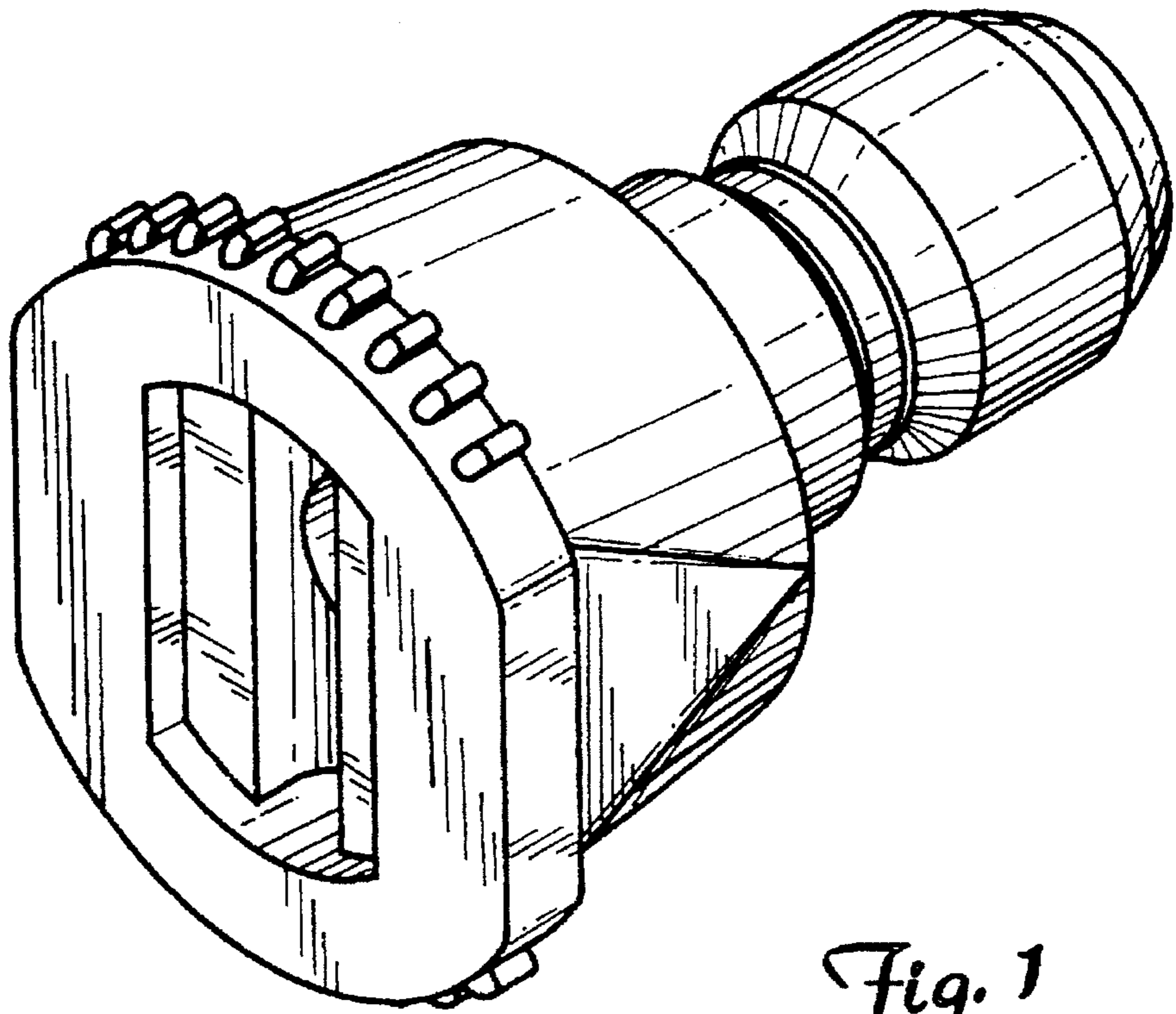


Fig. 1

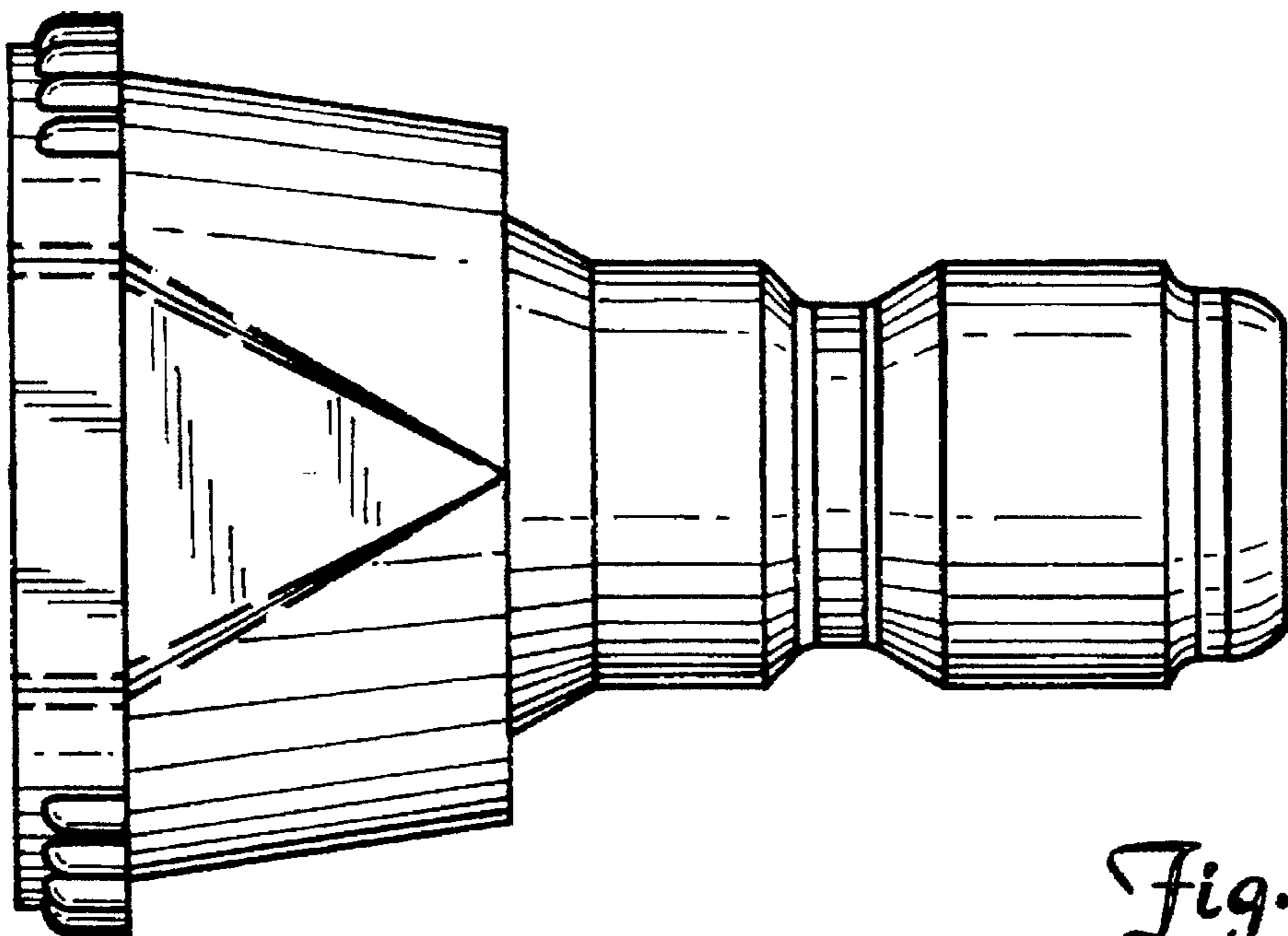


Fig. 2

Fig. 3

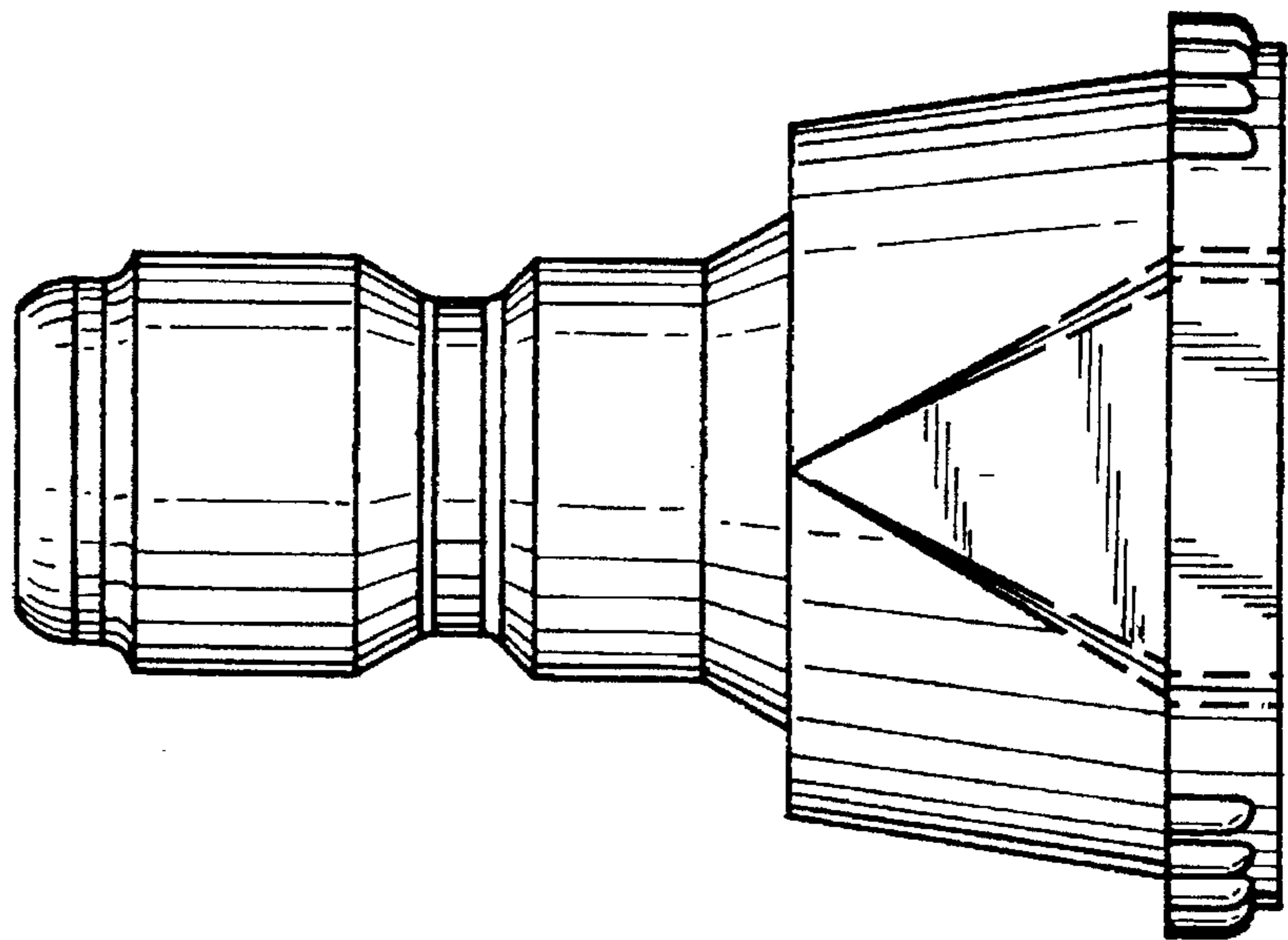


Fig. 4

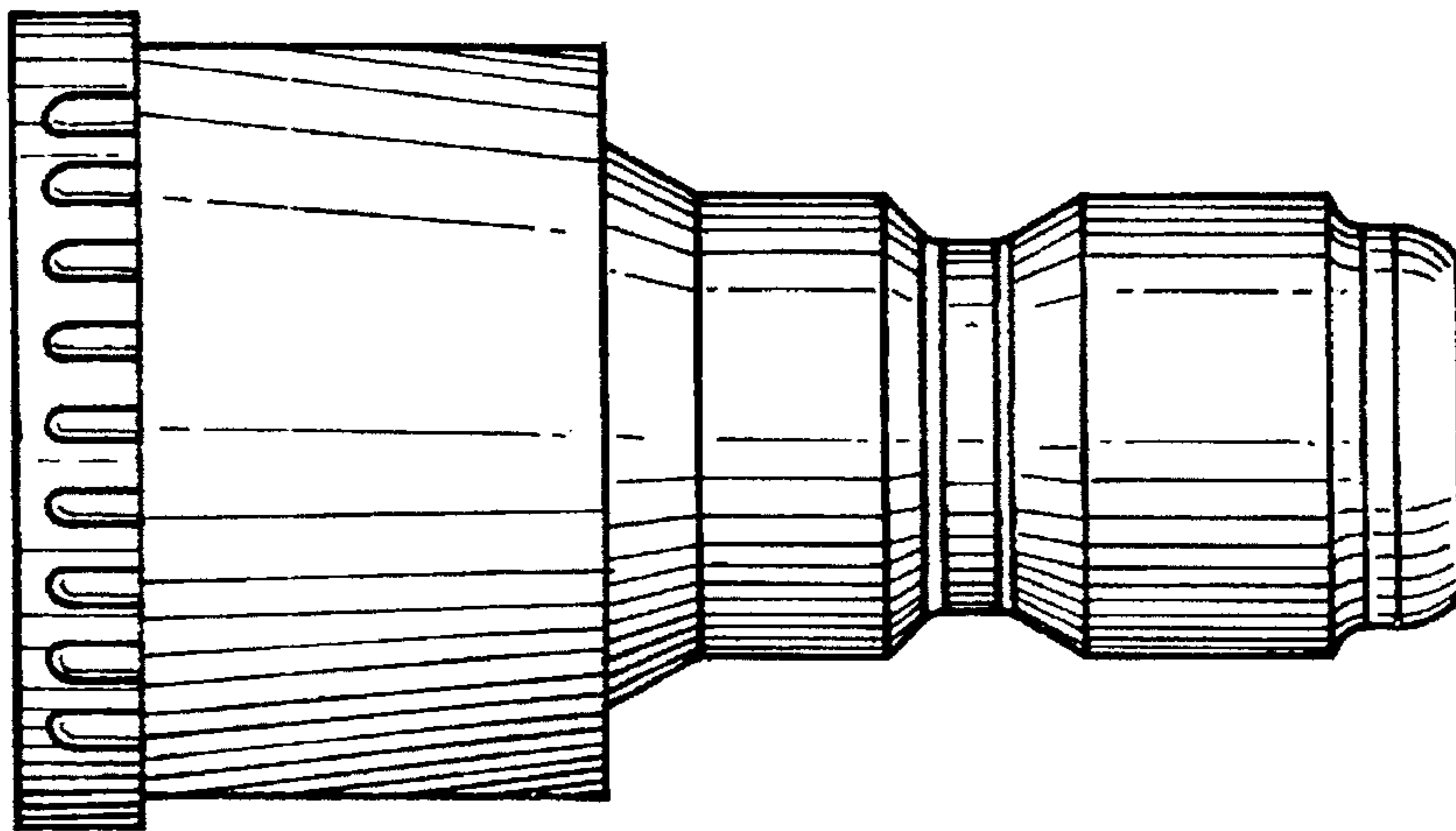
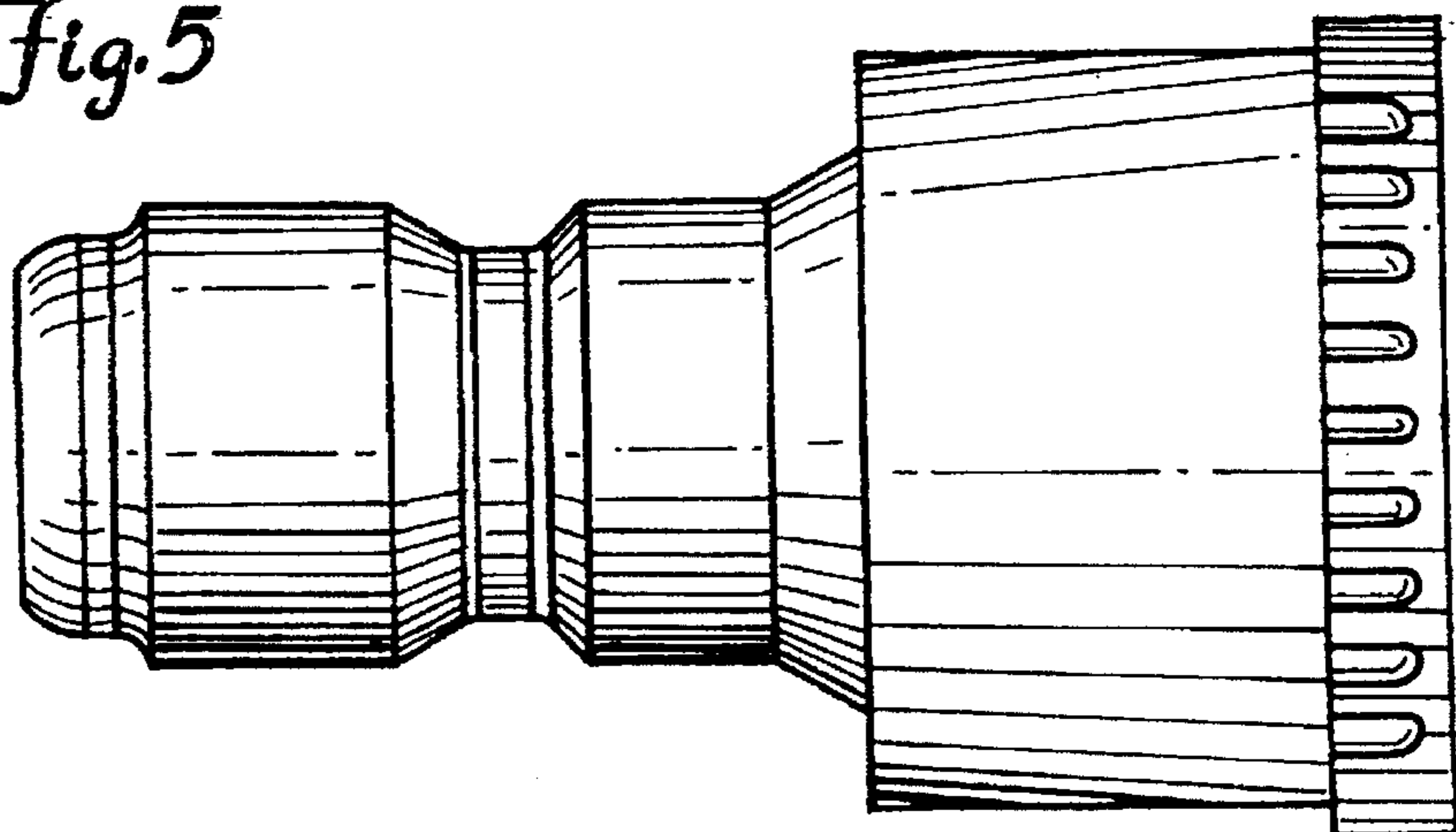


Fig. 5



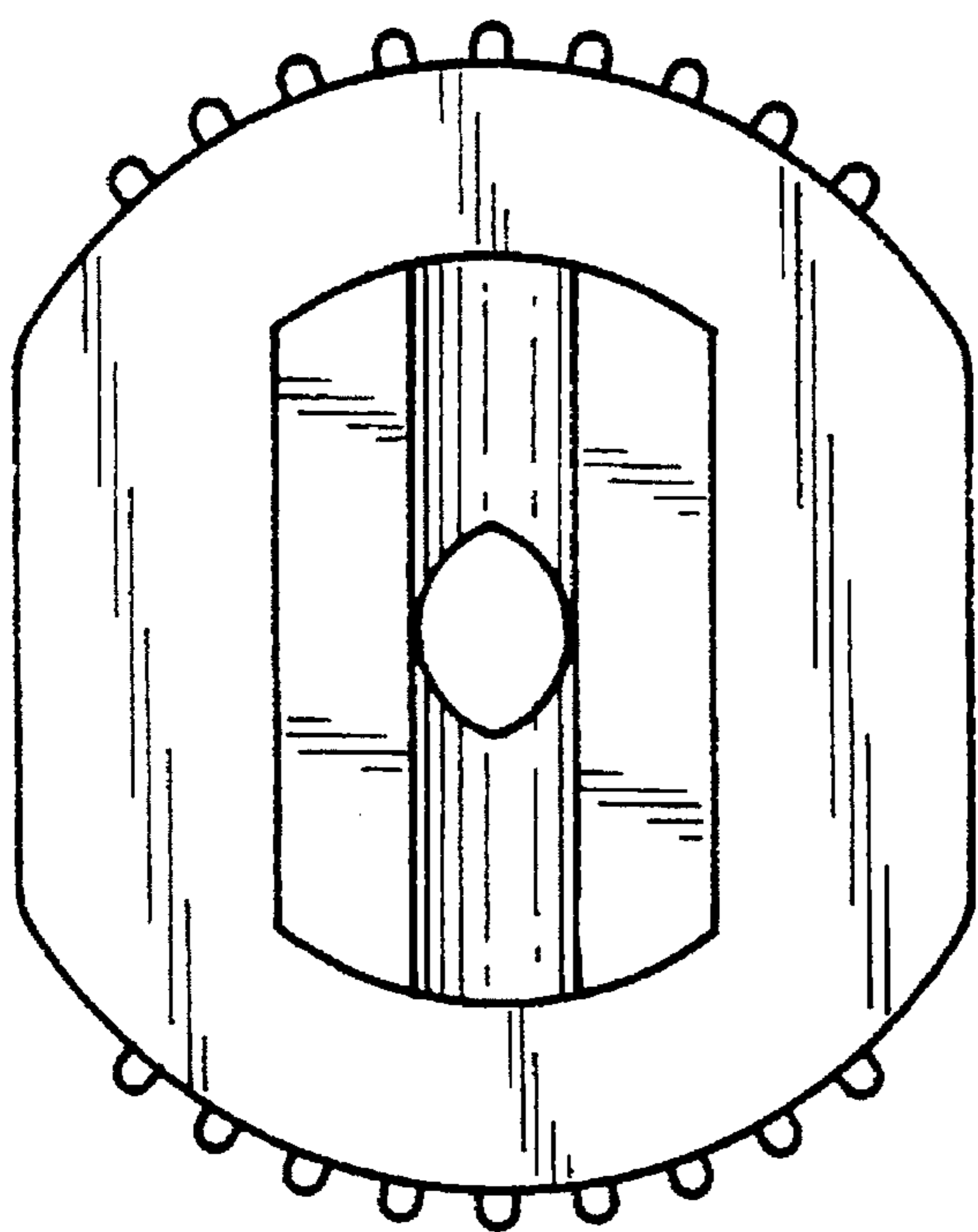


Fig. 6

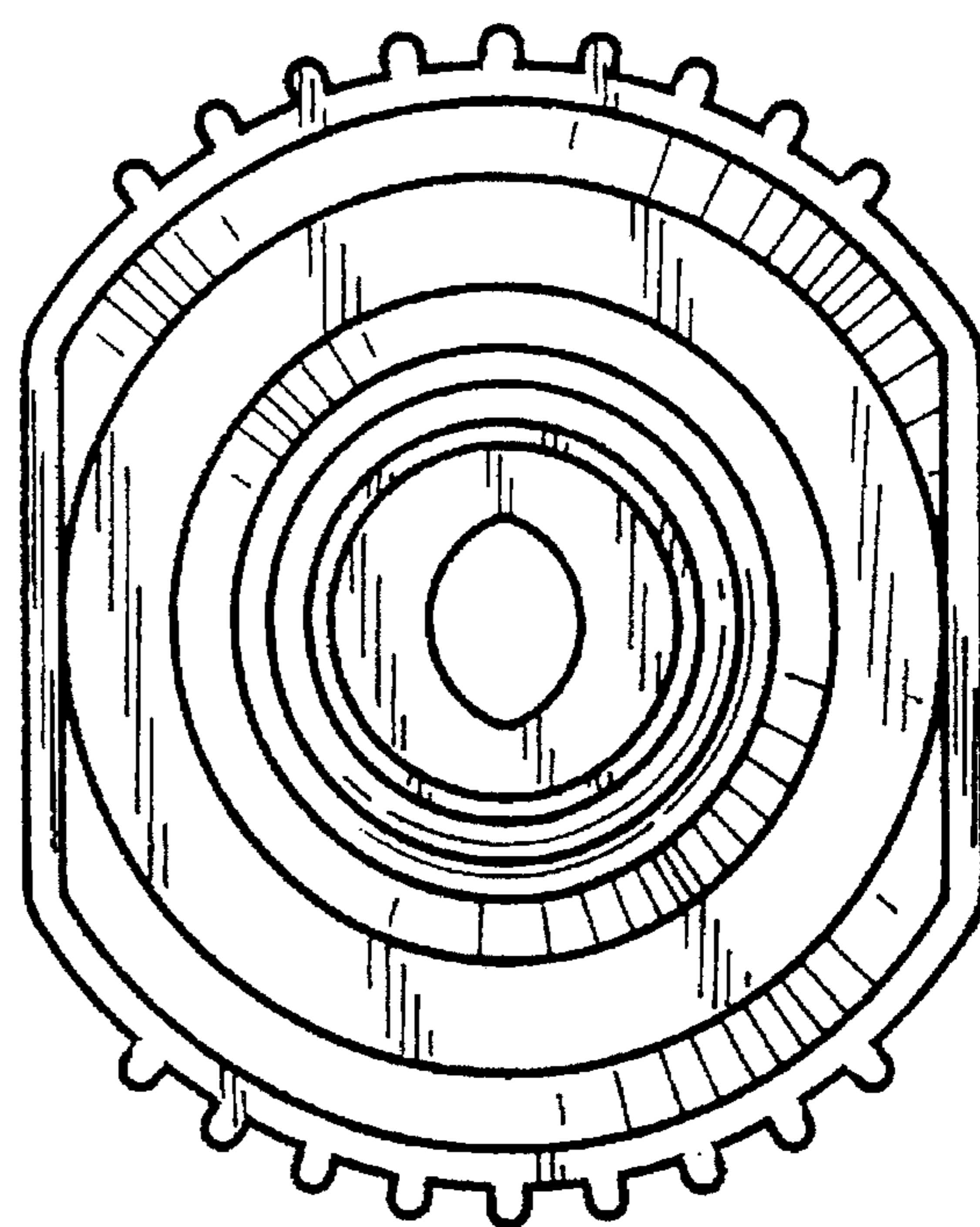


Fig. 7