



US00D380033S

# United States Patent [19]

Theiss et al.

[11] Patent Number: Des. 380,033

[45] Date of Patent: \*\*Jun. 17, 1997

[54] NOZZLE PLATE

[75] Inventors: **Scott M. Theiss**, Lake Lure, N.C.;  
**George Vick Owen**, Forest, Va.; **Pasco F. Parker**, Moneta, Va.; **H. William Masterton**, Forest, Va.

[73] Assignee: **B&W Nuclear Technologies**, Lynchburg, Va.

[\*\*] Term: 14 Years

[21] Appl. No.: 41,836

[22] Filed: Jun. 26, 1995

[51] LOC (6) Cl. .... 23-01

[52] U.S. Cl. .... D23/213

[58] Field of Search ..... D23/213, 223-230;  
239/288, 288.5, 288.3, 566, 567, 585.3,  
585.4

### [56] References Cited

#### U.S. PATENT DOCUMENTS

D. 306,896 3/1990 Duke ..... D23/213

D. 311,054	10/1990	Delepine	.....	D23/213
D. 338,057	8/1993	Robbins	.....	D23/213
1,024,849	4/1912	Harris	.....	239/566
1,895,009	1/1933	Sielaff	.....	D23/214
2,814,529	11/1957	Arnt	.....	239/548

*Primary Examiner*—A. Hugo Word  
*Assistant Examiner*—Robin V. Taylor  
*Attorney, Agent, or Firm*—Rhodes Coats & Bennett, L.L.P.

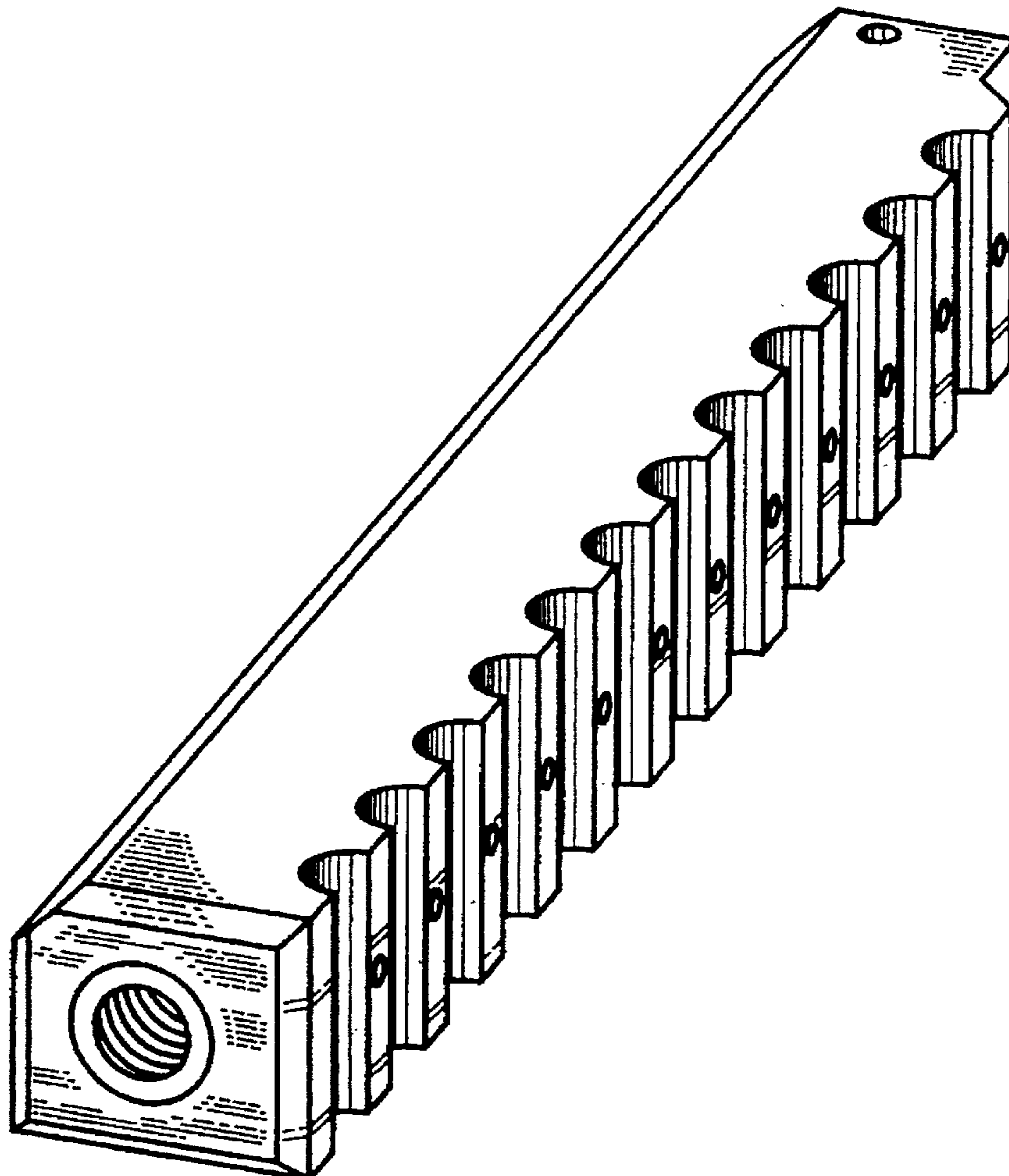
### [57] CLAIM

The ornamental design for nozzle plate, as shown and described.

### DESCRIPTION

FIG. 1 is a top front perspective view of a nozzle showing our new design;  
FIG. 2 is a front elevational view thereof;  
FIG. 3 is a bottom plan view thereof;  
FIG. 4 is a top plan view thereof;  
FIG. 5 is a left side view thereof; and,  
FIG. 6 is a right side view thereof.

1 Claim, 1 Drawing Sheet



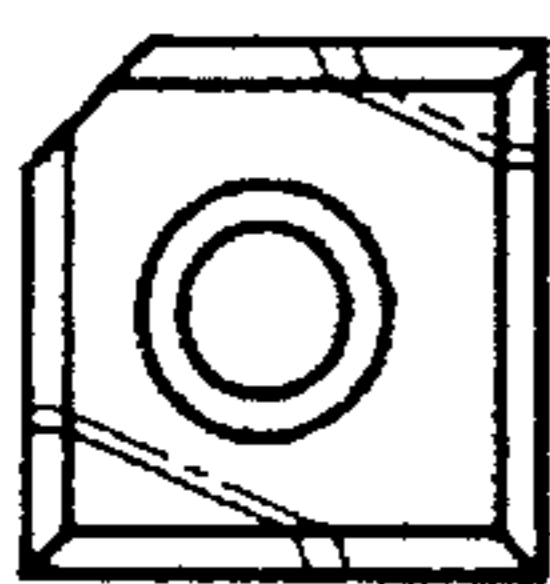


Fig. 5

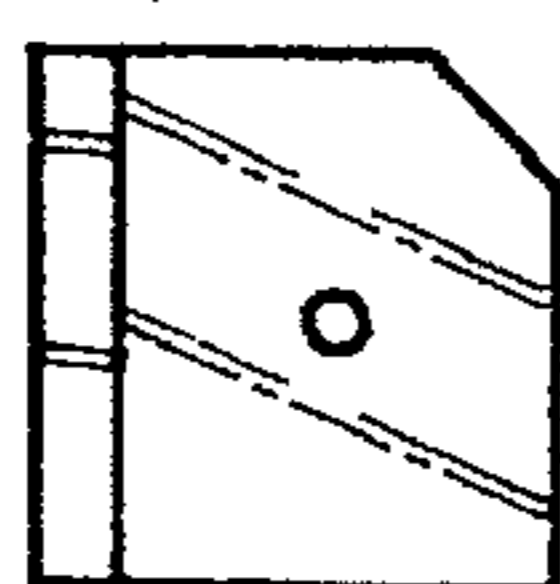


Fig. 6

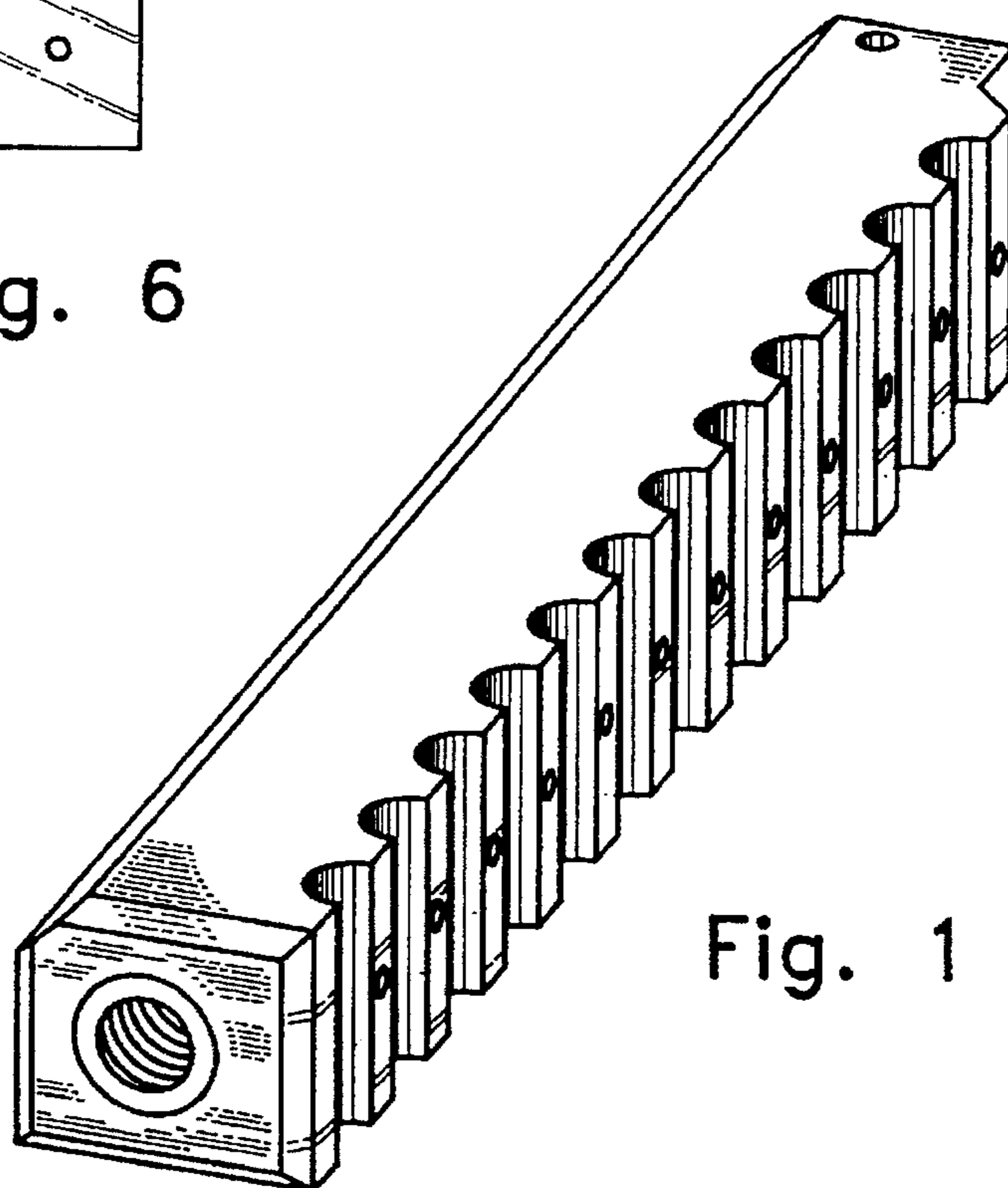


Fig. 1

Fig. 2



Fig. 3

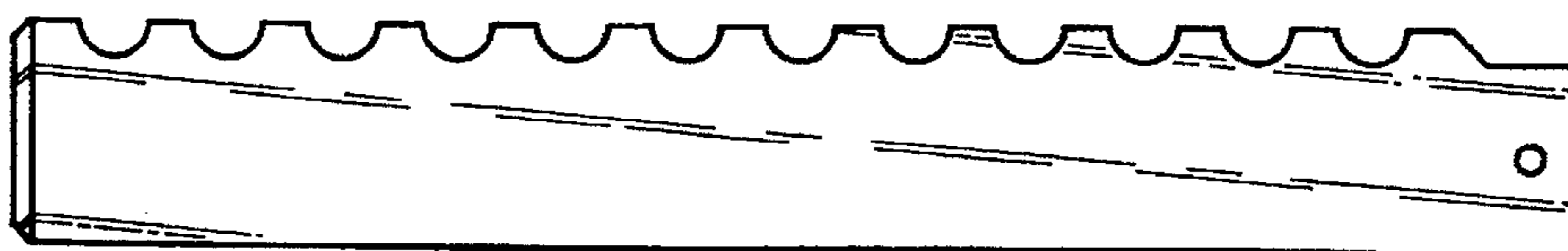


Fig. 4

