



US00D380032S

United States Patent [19]
Kobayashi et al.

[11] **Patent Number: Des. 380,032**
[45] **Date of Patent: **Jun. 17, 1997**

[54] **VIRTUAL VISION DISPLAY**
[75] Inventors: **Makoto Kobayashi; Masafumi Sakaguchi; Hiroyuki Shindo**, all of Suwa, Japan
[73] Assignee: **Seiko Epson Corporation**, Tokyo, Japan
[**] Term: **14 Years**

5,106,179 4/1992 Kamaya et al. 351/44
5,162,828 11/1992 Furness et al. .
5,276,471 1/1994 Yamauchi et al. 351/158
5,371,556 12/1994 Suwa et al. 351/158

FOREIGN PATENT DOCUMENTS

6-289318 10/1994 Japan .

OTHER PUBLICATIONS

New York Times Dec. 18, 1994 Section 2 p. 40 top left of page.
New York Times May 1, 1994 p. 3 "Goggles for Virtual Reality Video Games".

Primary Examiner—Raphael Barkai
Attorney, Agent, or Firm—Oliff & Berridge

[21] Appl. No.: **38,711**
[22] Filed: **May 9, 1995**
[30] **Foreign Application Priority Data**

Nov. 10, 1994 [JP] Japan 6-34291

[51] **LOC (6) Cl.** **21-03**
[52] **U.S. Cl.** **D21/240; D16/100**
[58] **Field of Search** D21/240; D16/100, D16/300, 309, 311, 312; D29/15; D19/60; 434/38, 44; 29/15; 351/41, 44, 158, 47

[57] **CLAIM**

The ornamental design for a virtual vision display, as shown and described.

DESCRIPTION

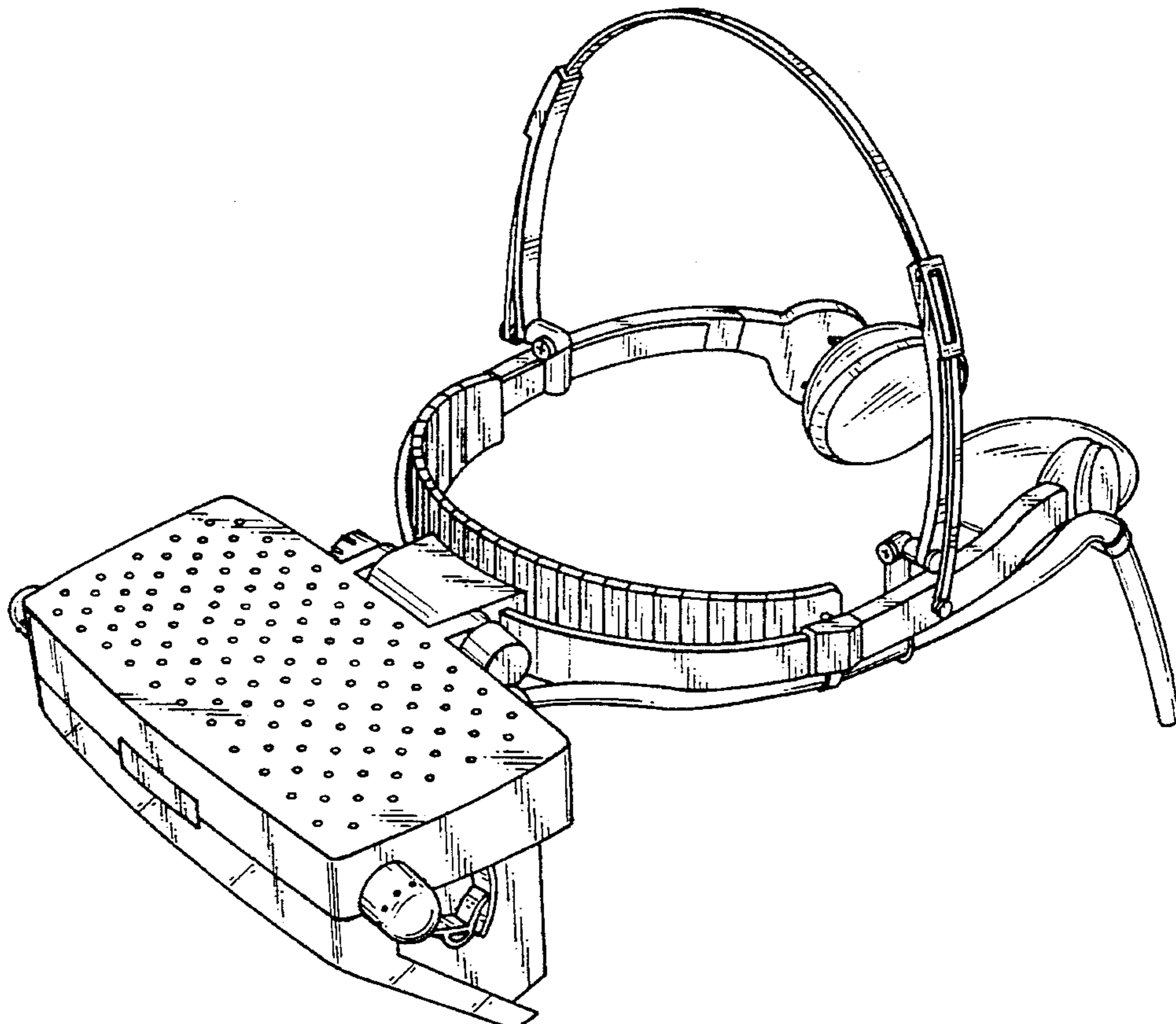
FIG. 1 is a front perspective view of a virtual vision display showing our new design;
FIG. 2 is a front view thereof;
FIG. 3 is a rear view thereof;
FIG. 4 is a left side view thereof;
FIG. 5 is a right side view thereof;
FIG. 6 is a top plan view thereof; and,
FIG. 7 is a bottom view thereof.

[56] **References Cited**

U.S. PATENT DOCUMENTS

D. 300,476 3/1989 Sestak D16/309
D. 322,797 12/1991 Kuypers et al. D16/311
D. 338,514 8/1993 Holmes D21/240
D. 352,046 11/1994 Kataoka D16/309
D. 358,150 5/1995 Lewis, Jr. et al. D16/311
3,572,931 3/1971 Adler 351/47
5,003,300 3/1991 Wells .

1 Claim, 7 Drawing Sheets



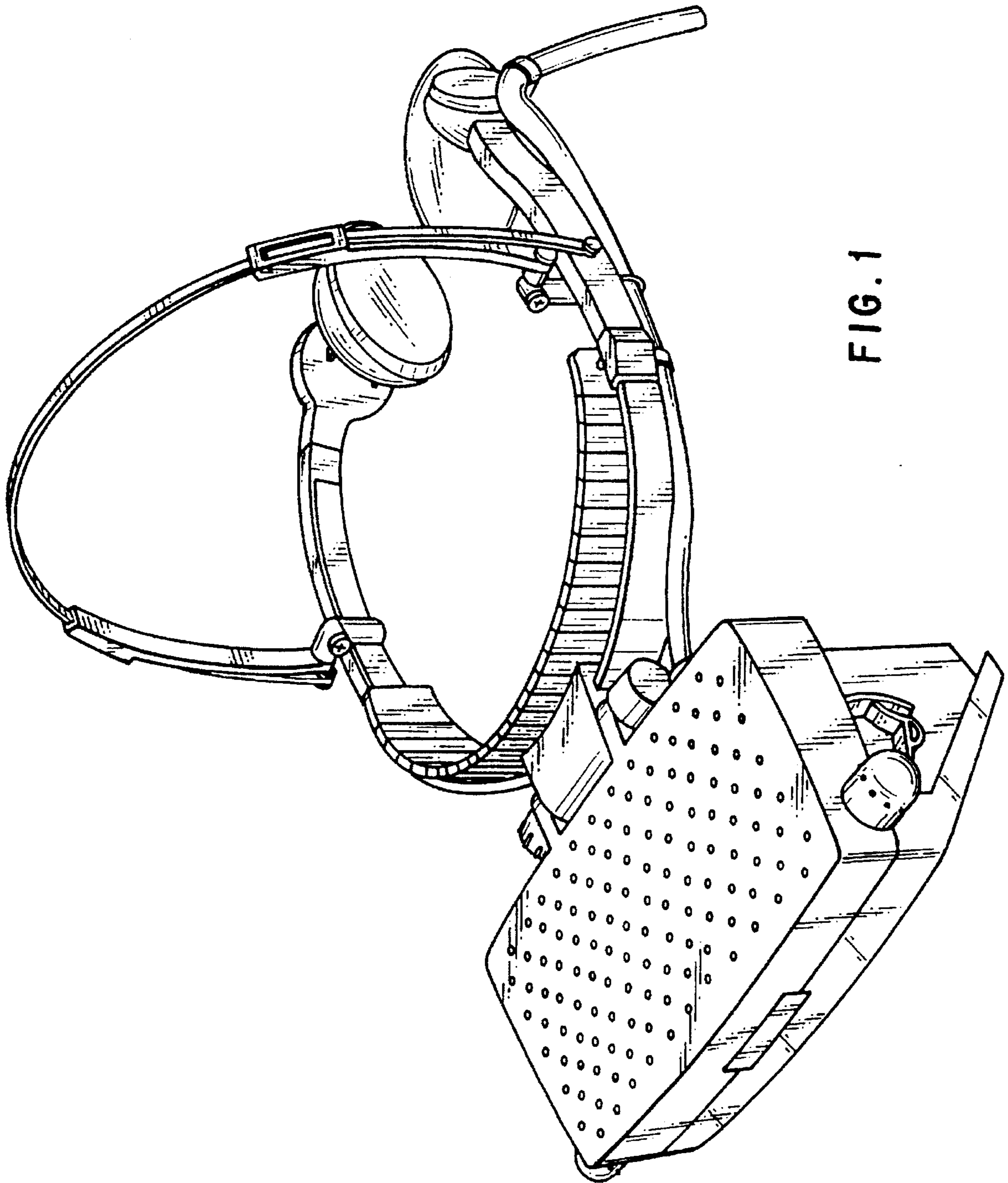


FIG. 1

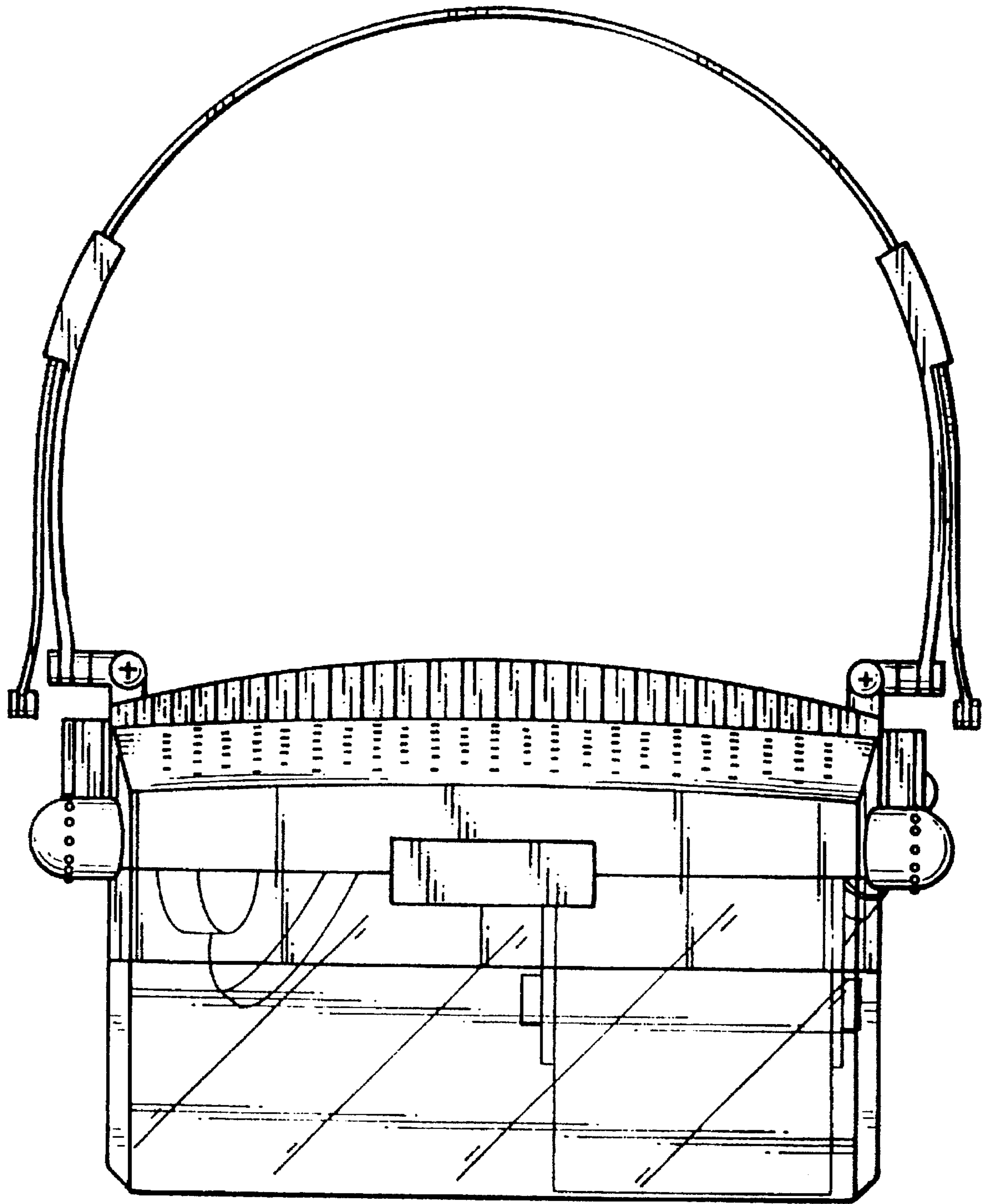


FIG. 2

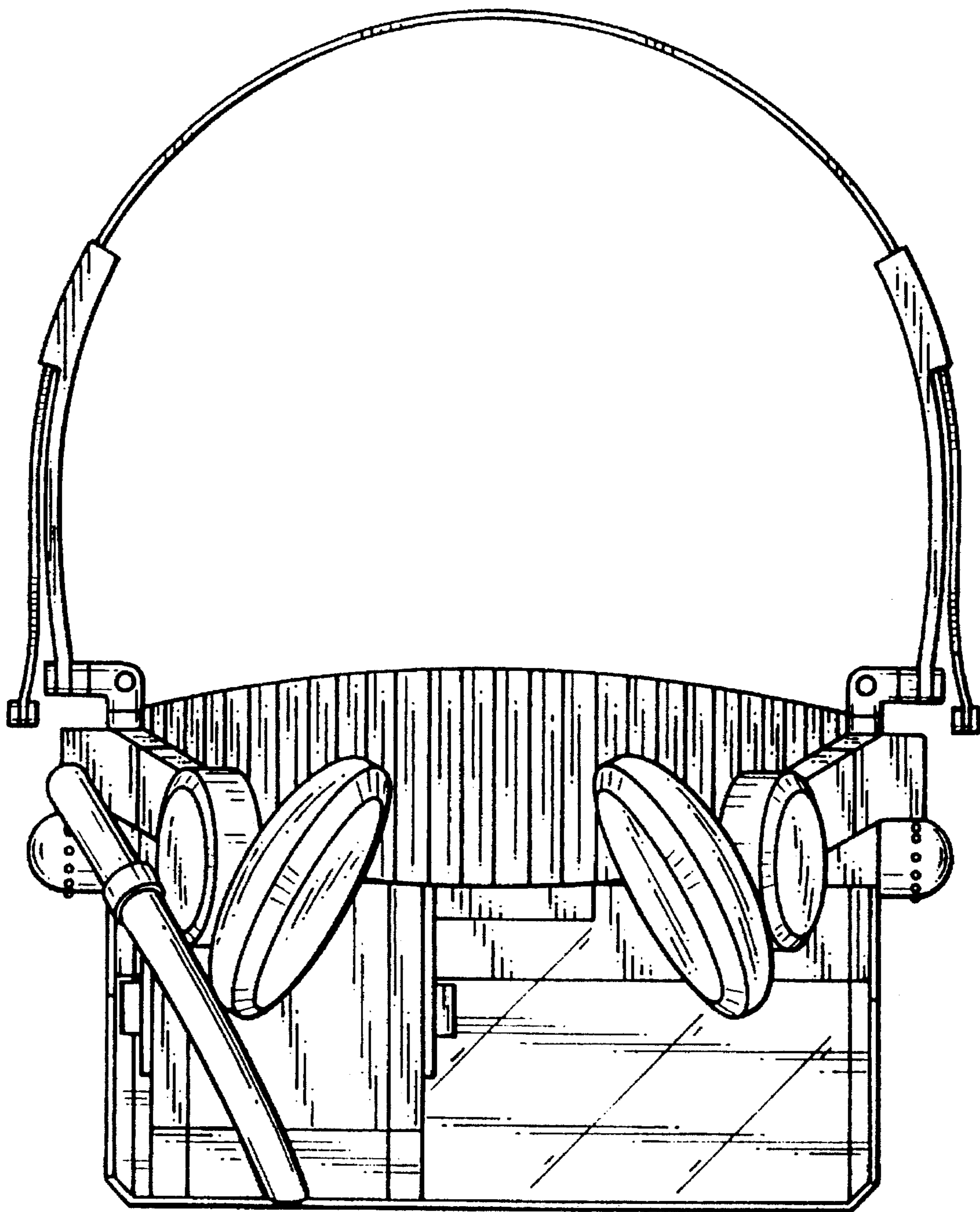


FIG. 3

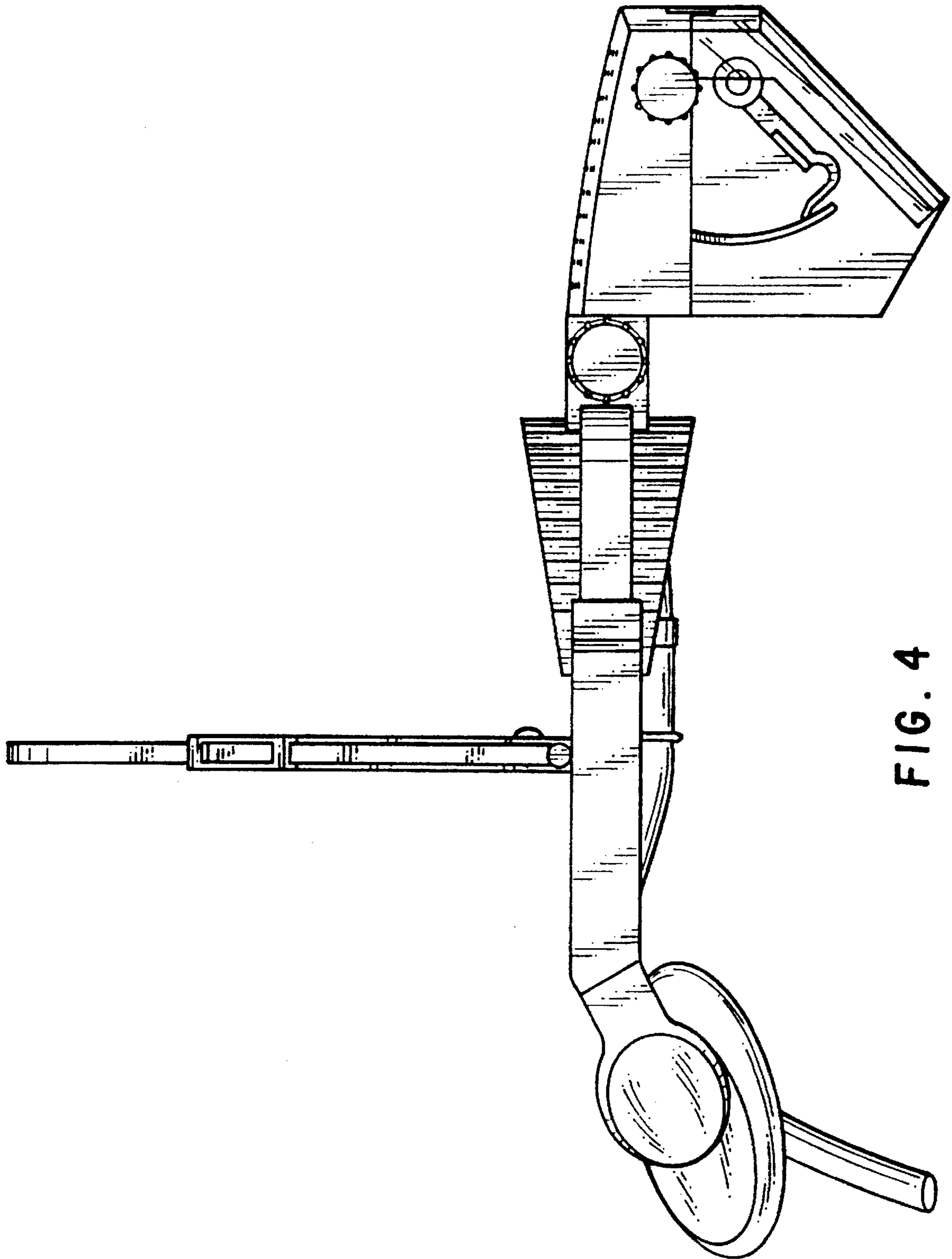


FIG. 4

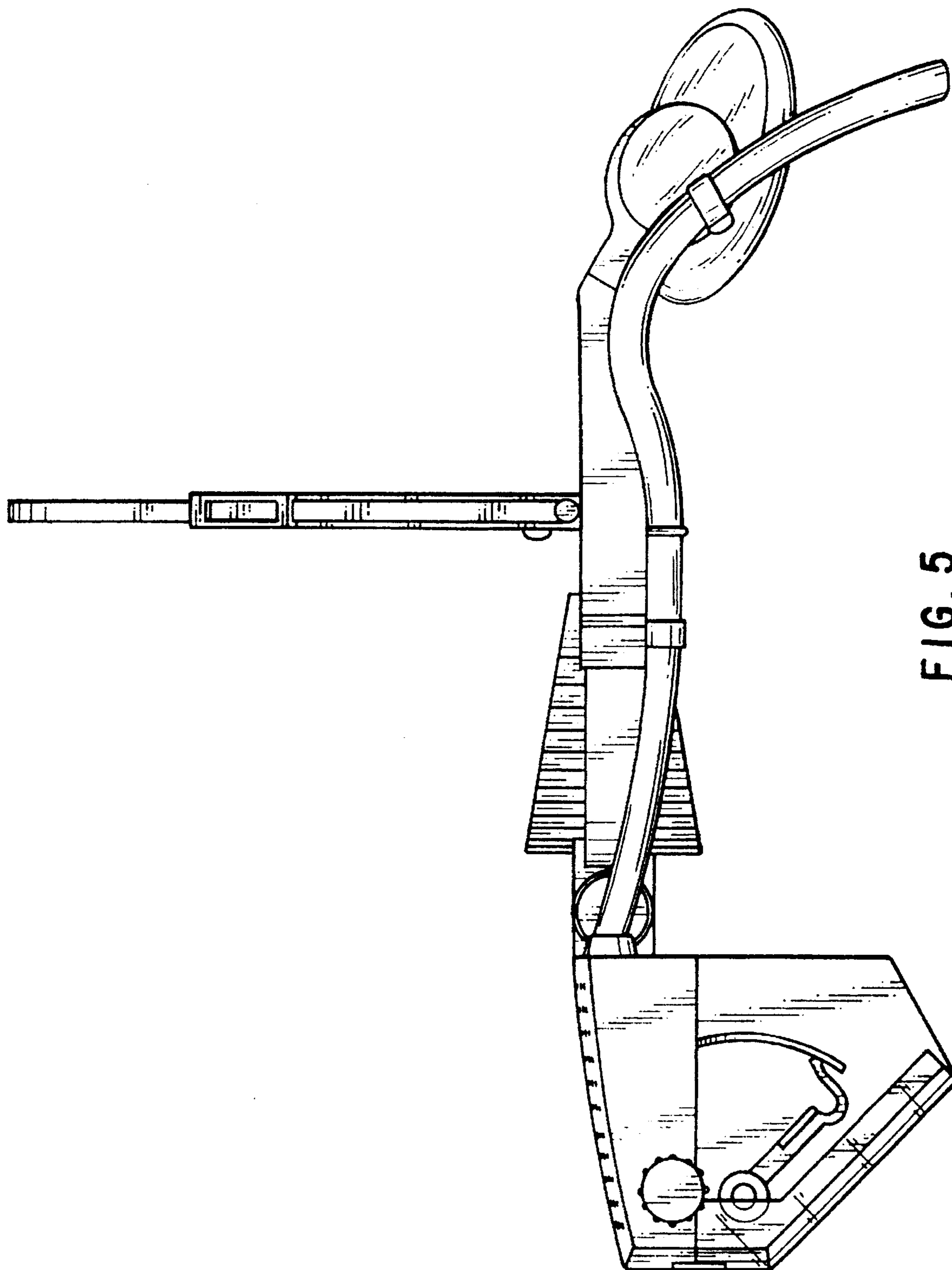


FIG. 5

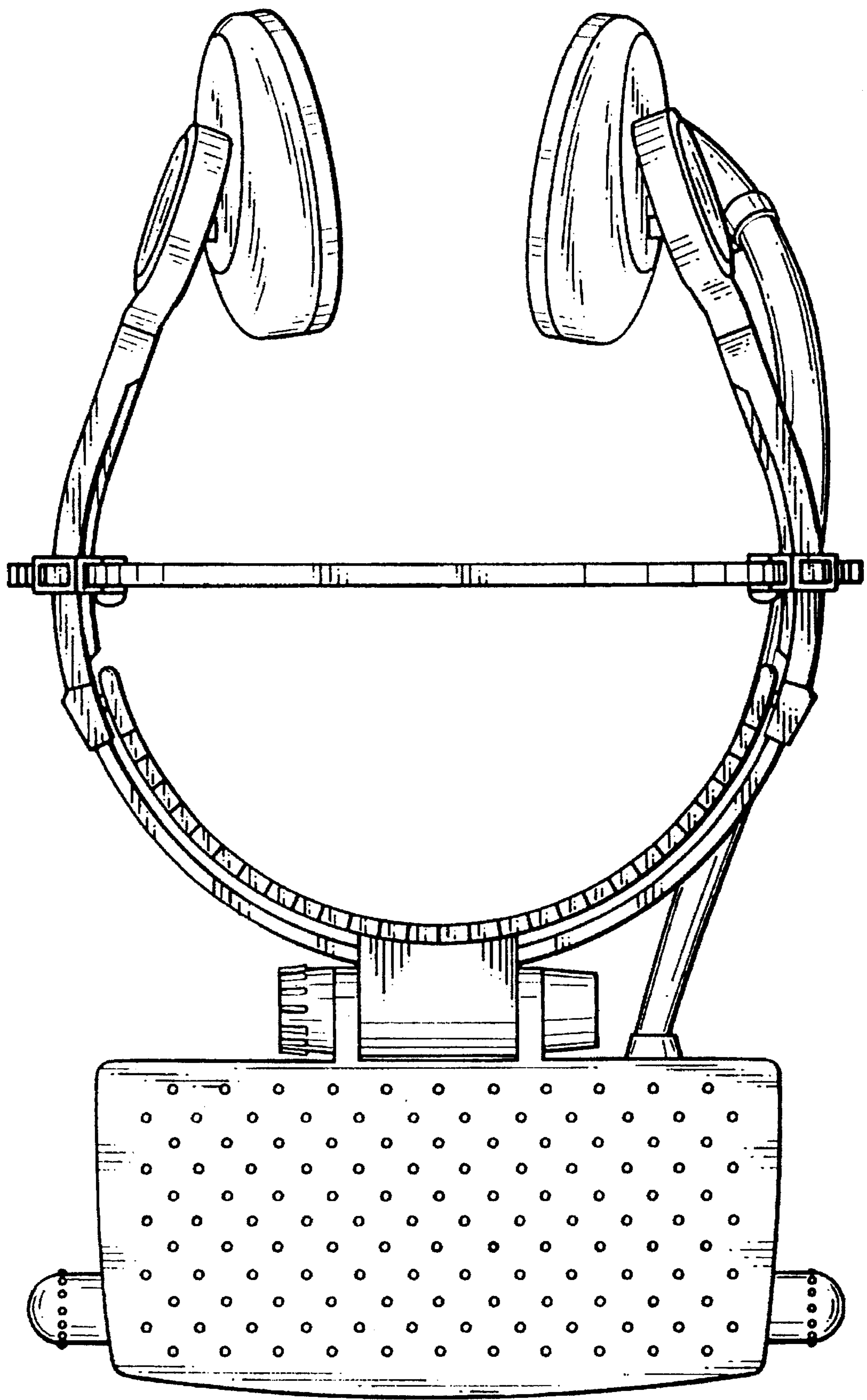


FIG. 6

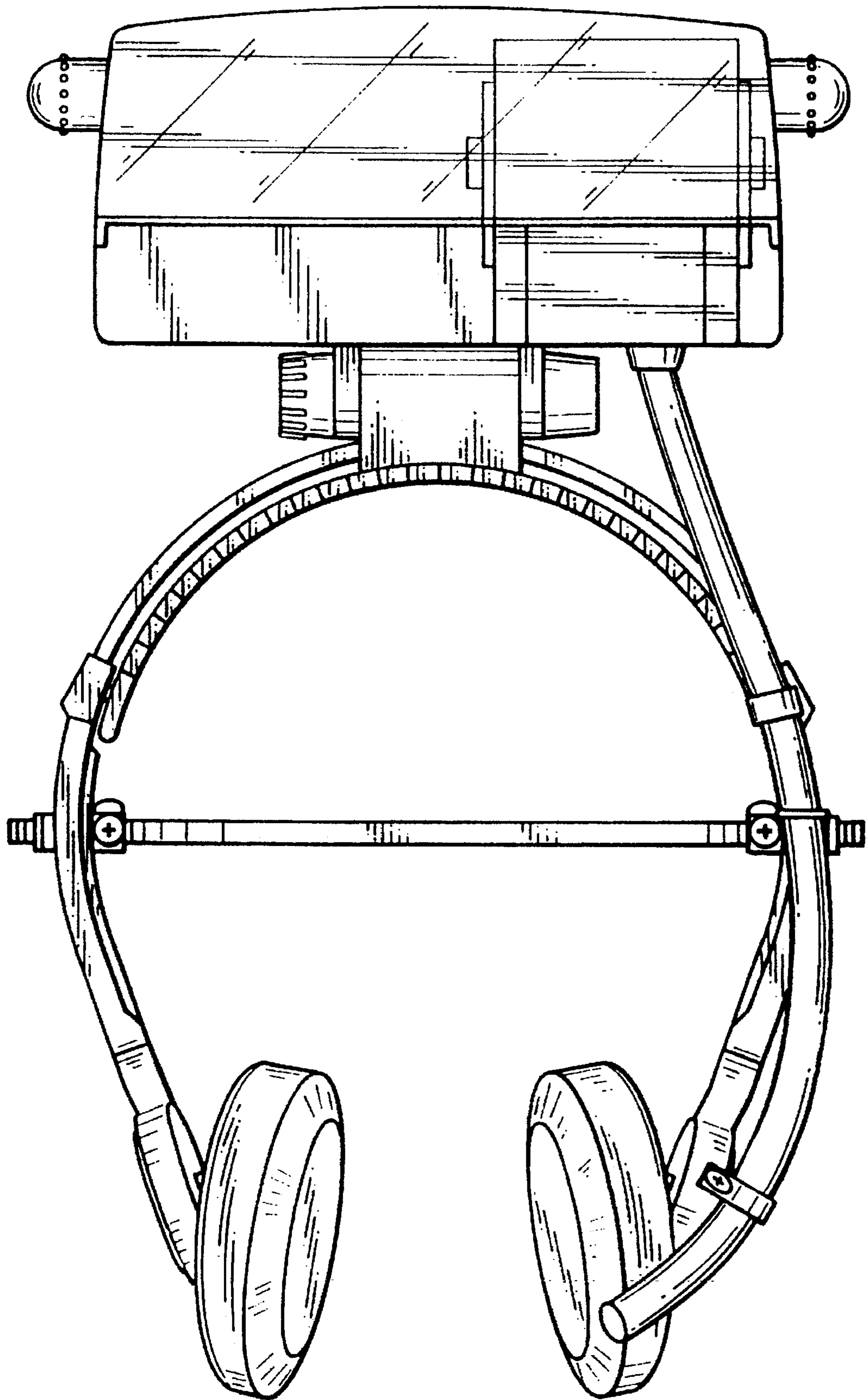


FIG. 7