



US00D380030S

United States Patent [19]
Altman

[11] **Patent Number:** **Des. 380,030**
[45] **Date of Patent:** ****Jun. 17, 1997**

[54] **GOLF CLUB HEAD**

[76] Inventor: **Murray Altman**, 54885 Inverness, La
Quinta, Calif. 92253

[**] Term: **14 Years**

[21] Appl. No.: **39,968**

[22] Filed: **Jun. 7, 1995**

[51] LOC (6) Cl. **21-02**

[52] U.S. Cl. **D21/219**

[58] Field of Search **D21/217-219;**
273/167-169, 164.1

[56] **References Cited**

U.S. PATENT DOCUMENTS

D. 220,274	3/1971	Rango	D21/219
D. 257,869	1/1981	MacDougall	D21/219
D. 257,870	1/1981	MacDougall	D21/219
D. 257,871	1/1981	MacDougall	D21/219
D. 268,691	4/1983	Collins	D21/217
D. 320,638	10/1991	Mermillod	D21/219
D. 364,907	12/1995	Estridge et al.	D21/219
3,708,172	1/1973	Rango	273/169

OTHER PUBLICATIONS

Gold Digest; p. 123; Ring putter, lower middle of page.

Primary Examiner—Ted Shooman
Assistant Examiner—Mitchell I. Siegel

Attorney, Agent, or Firm—Lewis Anten, Esq.; Amedeo Ferraro, Esq.

[57] **CLAIM**

The ornamental design for a golf club head, as shown and described.

DESCRIPTION

FIG. 1 is a rear perspective view of a golf club head showing my new design;

FIG. 2 is a front top perspective view of the design of FIG. 1;

FIG. 3 is a rear bottom perspective view of the design of FIG. 1;

FIG. 4 is a front elevational view of the design of FIG. 1;

FIG. 5 is a top plan view of the design of FIG. 1;

FIG. 6 is a bottom plan view of the design of FIG. 1;

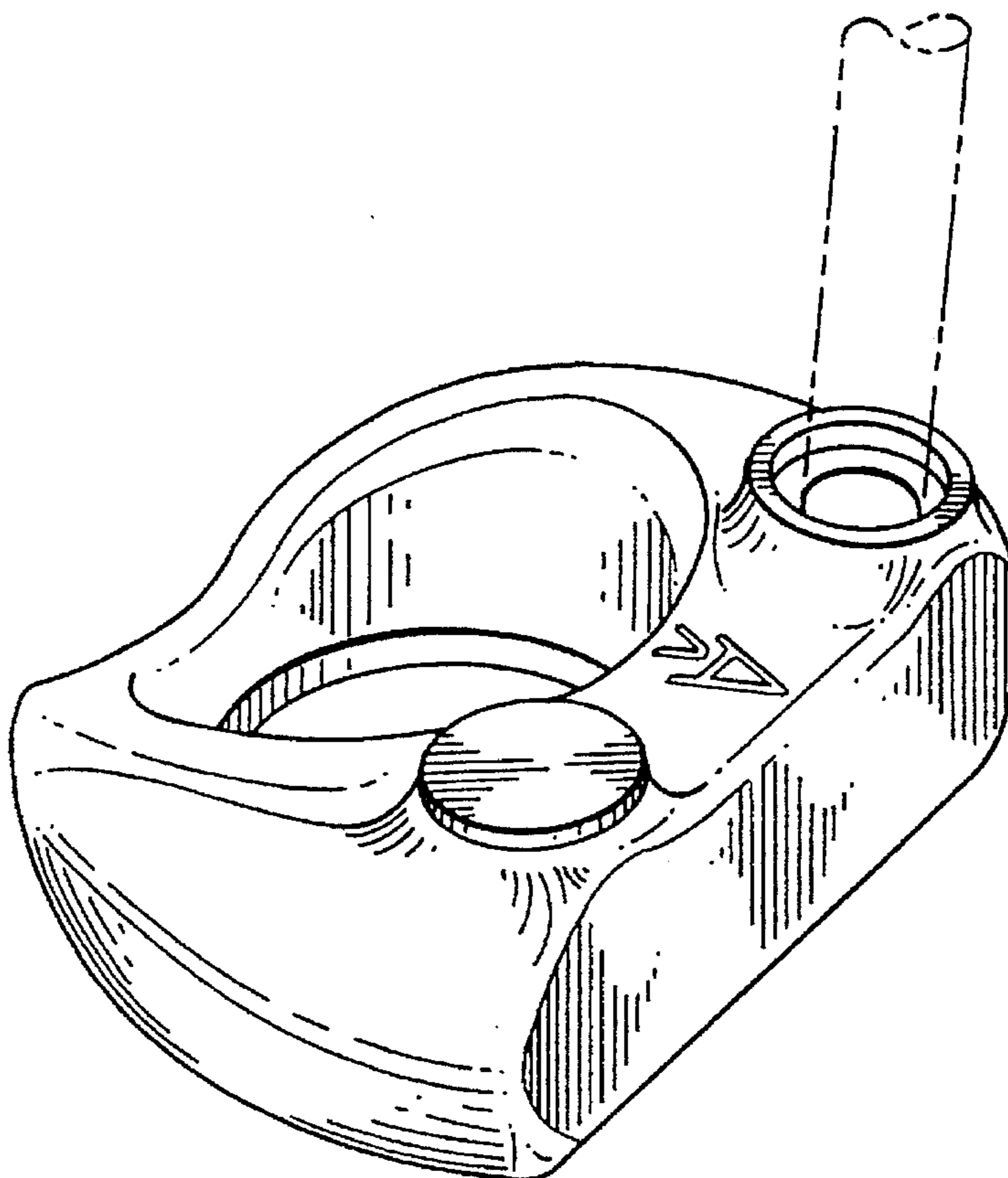
FIG. 7 is a rear elevational view of the design of FIG. 1;

FIG. 8 is a right side elevational view of the design of FIG. 1; and,

FIG. 9 is a left side elevational view of the design of FIG. 1.

The broken line showing of a fragmented shaft is for illustrative purposes only and forms no part of the claimed design.

1 Claim, 3 Drawing Sheets



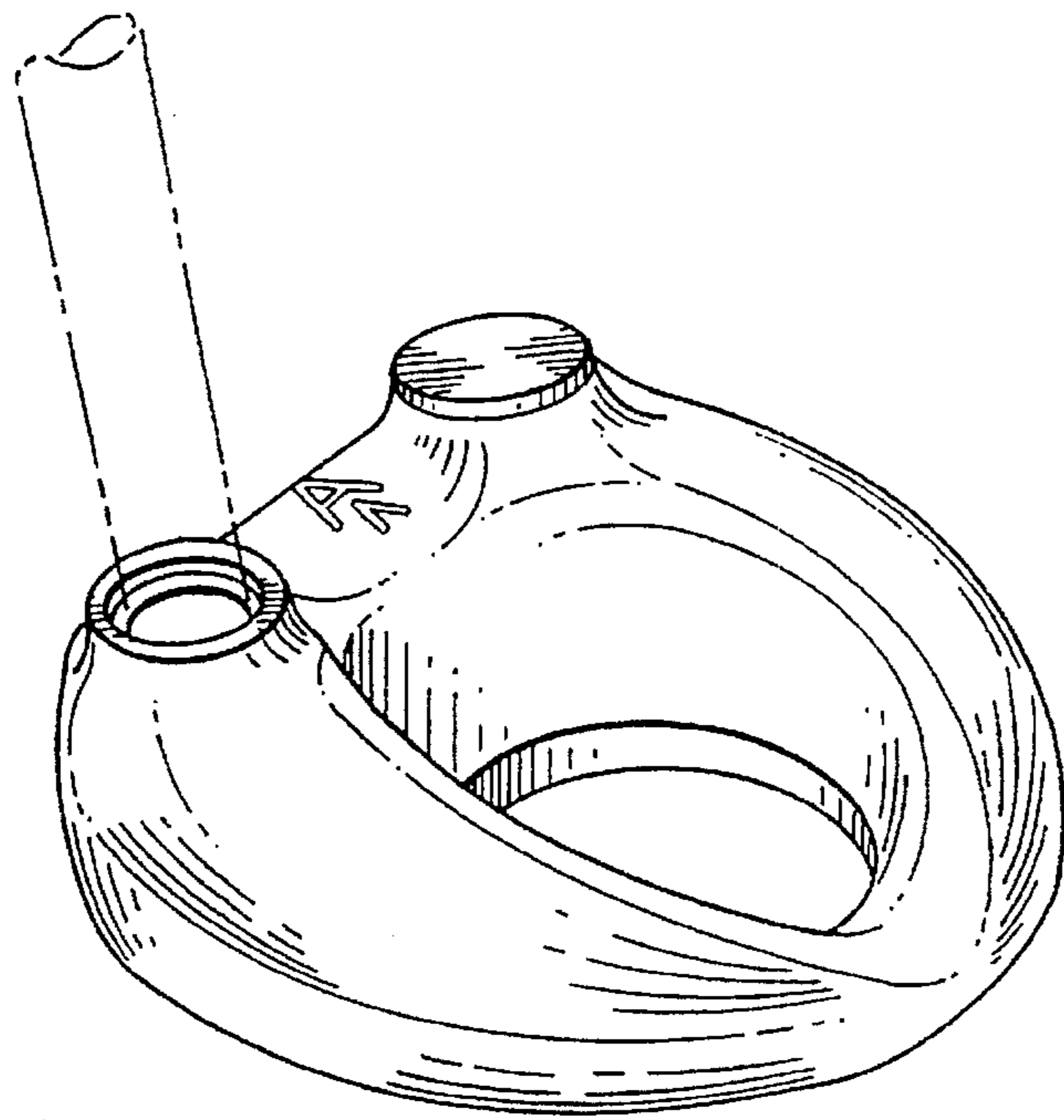


FIG. 1

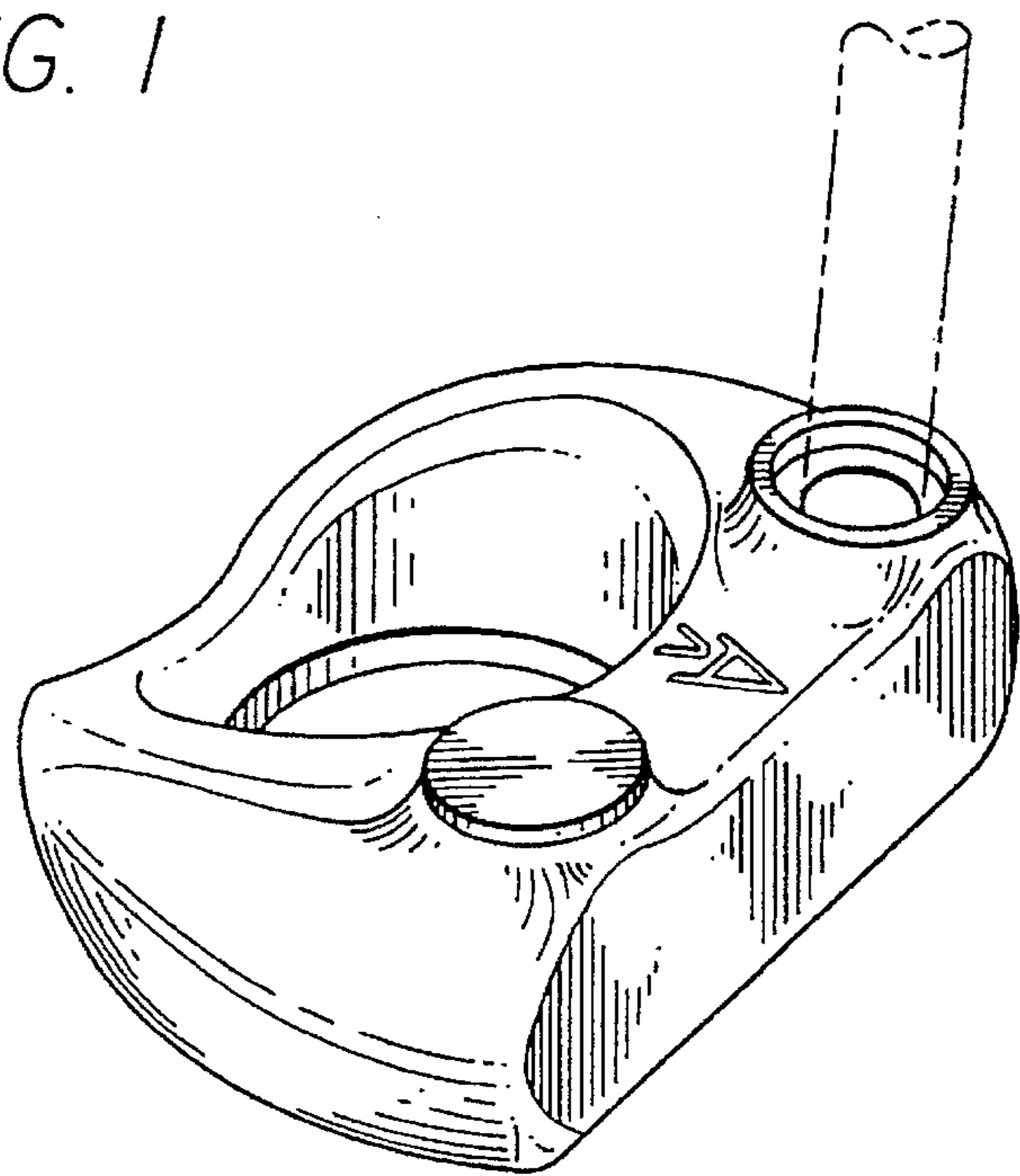


FIG. 2

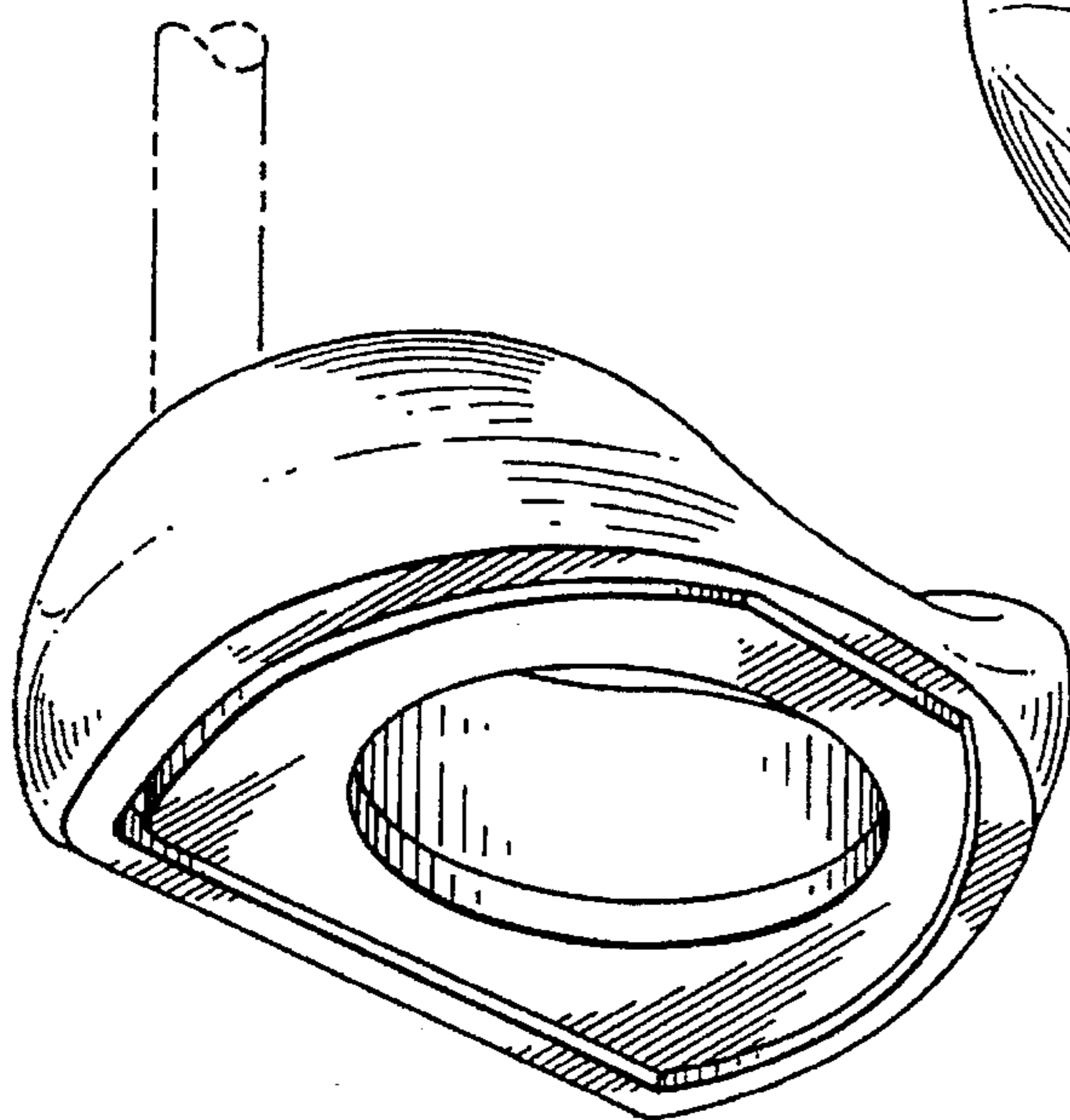


FIG. 3

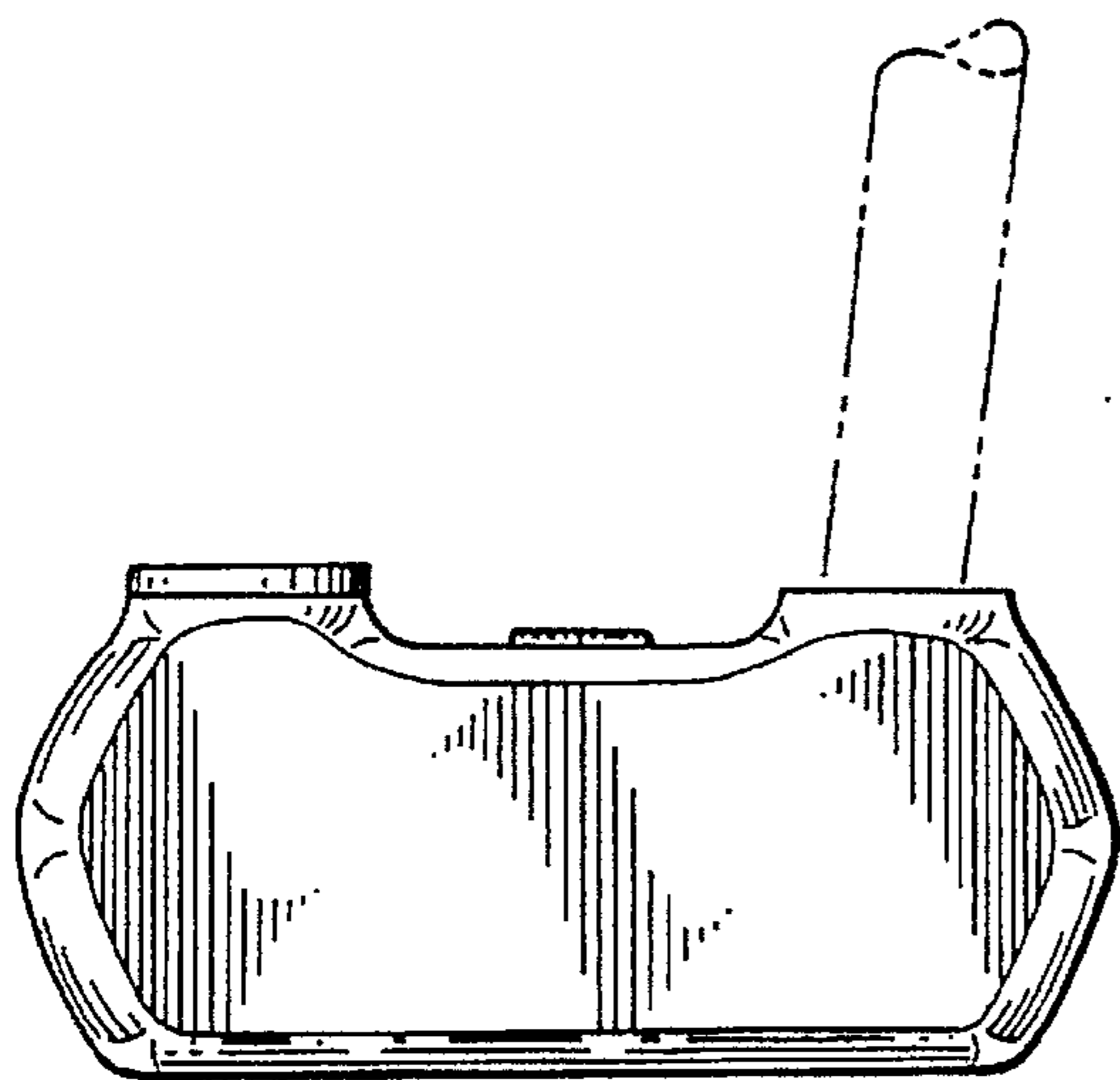


FIG. 4

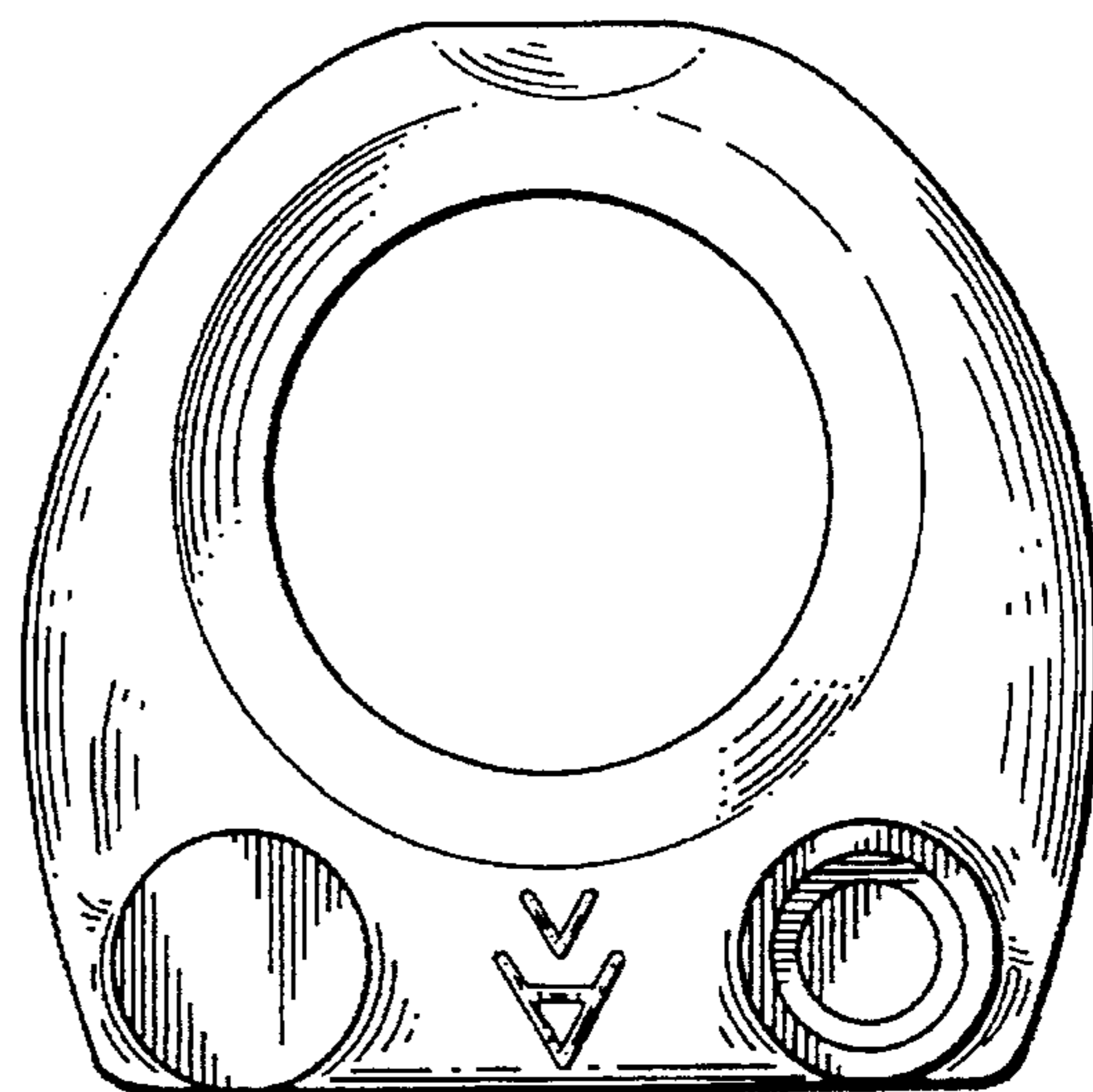


FIG. 5

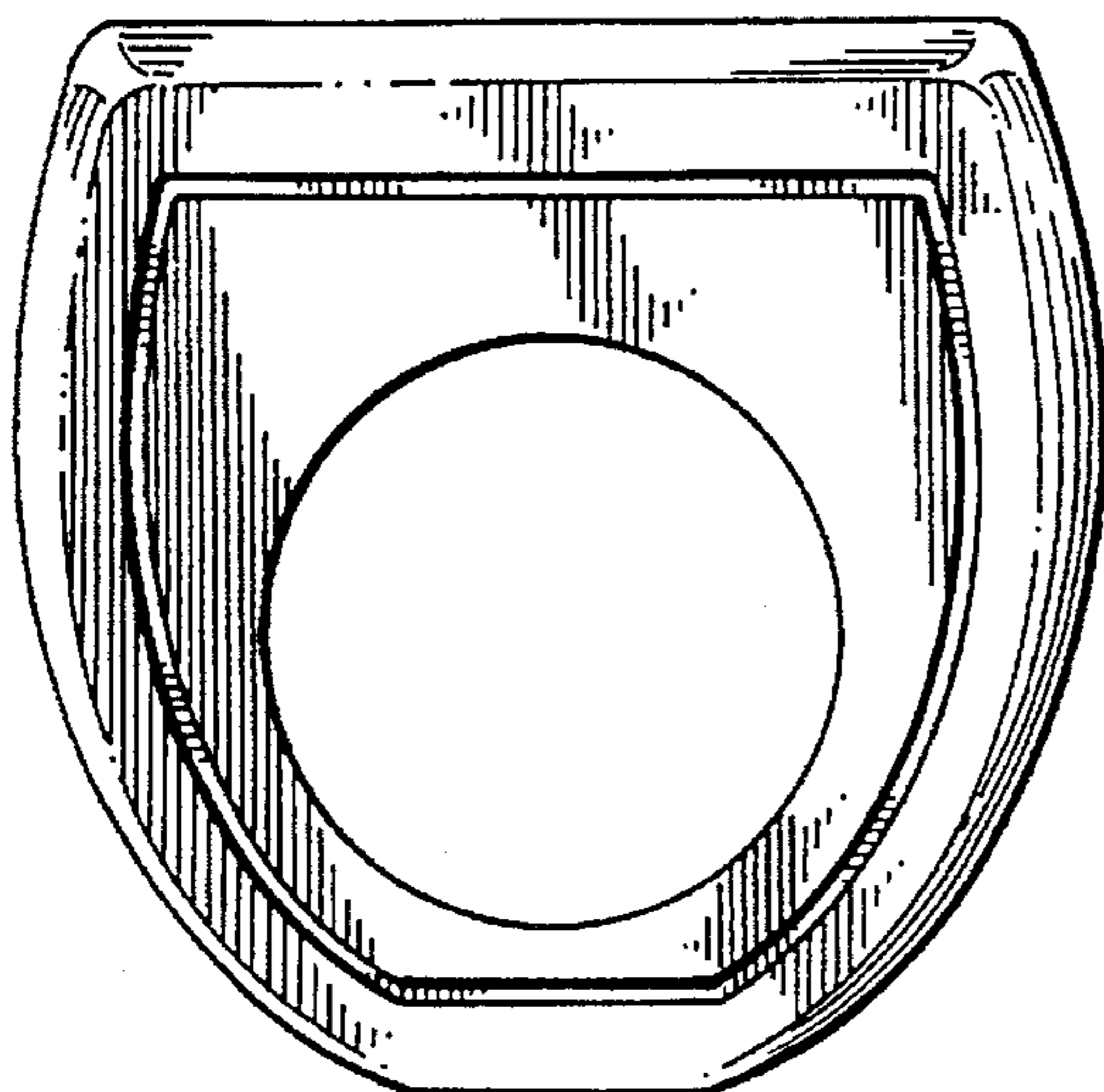


FIG. 6

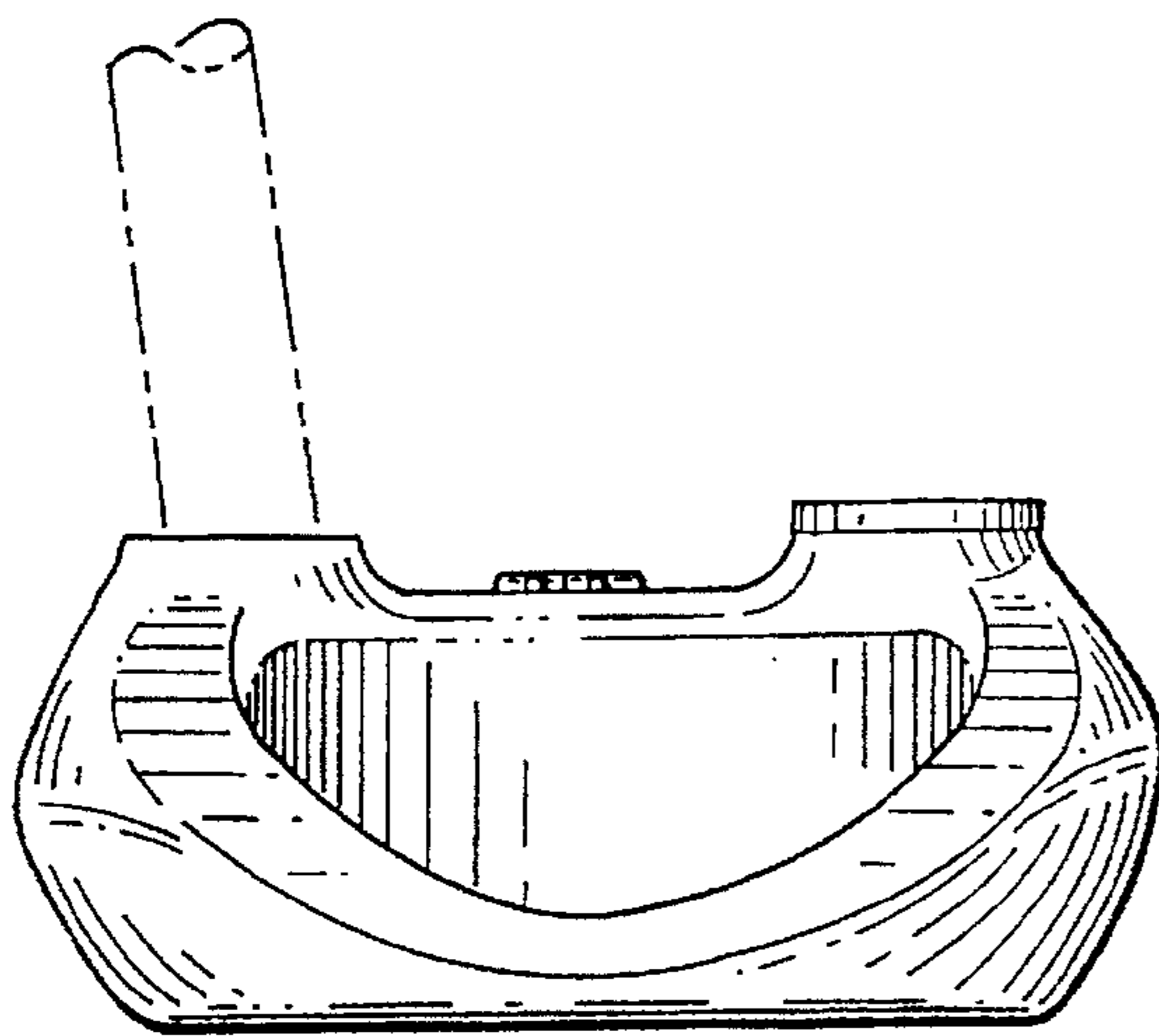


FIG. 7

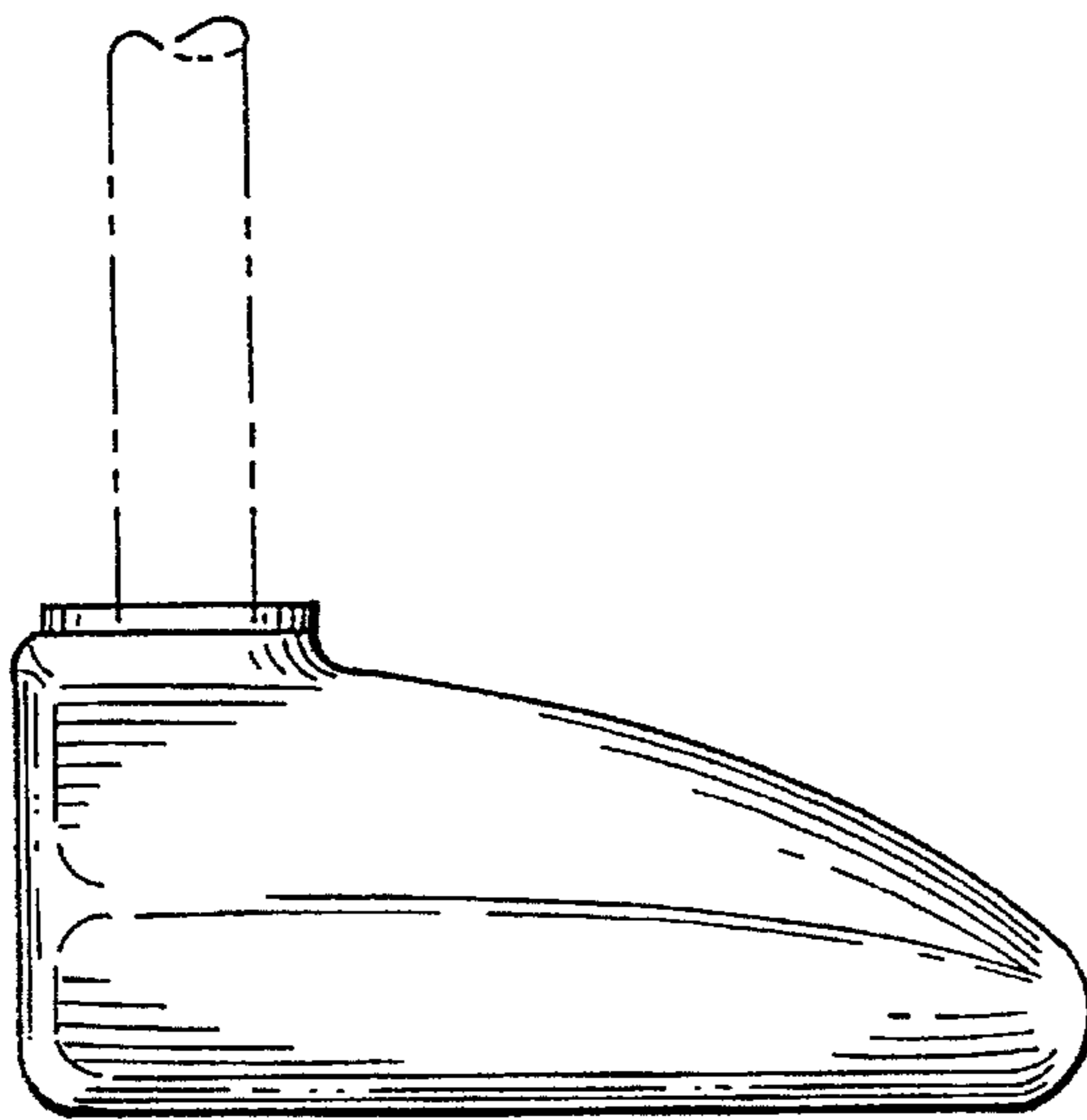


FIG. 8

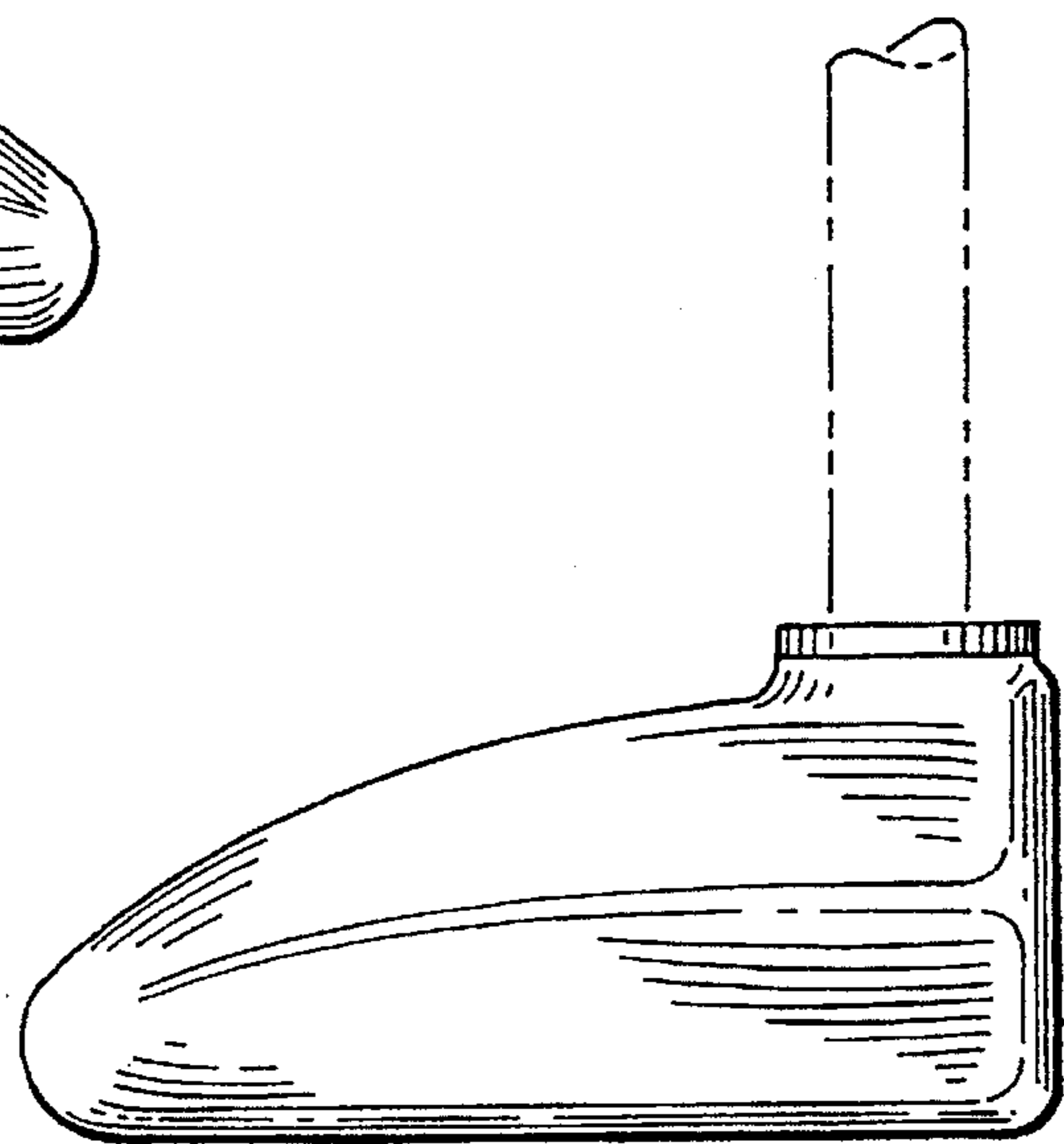


FIG. 9