



US00D380024S

United States Patent [19]

Novak et al.

[11] Patent Number: **Des. 380,024**

[45] Date of Patent: ****Jun. 17, 1997**

[54] **BACK EXERCISE APPARATUS**

5,300,005 4/1994 Wang 482/142
5,338,277 8/1994 Yang 482/137

[75] Inventors: **Pat J. Novak**, St. Paul; **Weston L. Cutter**, Mendota Heights, both of Minn.

Primary Examiner—Philip S. Hyder
Attorney, Agent, or Firm—James R. Hakomaki

[73] Assignee: **NordicTrack, Inc.**, Chaska, Minn.

[57] **CLAIM**

[**] Term: **14 Years**

The ornamental design for a back exercise apparatus, as shown and described.

[21] Appl. No.: **41,842**

DESCRIPTION

[22] Filed: **Jun. 30, 1995**

[51] **LOC (6) Cl.** **21-02**

[52] **U.S. Cl.** **D21/191**

[58] **Field of Search** D21/191, 194,
D21/195; 482/130, 137, 131, 132, 133,
121, 122, 123, 124, 140, 142

FIG. 1 is a perspective view of a back exercise apparatus, showing our new design;
FIG. 2 is a rear elevational view of the back exercise apparatus shown in FIG. 1;
FIG. 3 is a right side elevational view of the back exercise apparatus shown in FIG. 1;
FIG. 4 is a front elevational view of the back exercise apparatus shown in FIG. 1;
FIG. 5 is a left side elevational view of the back exercise apparatus shown in FIG. 1;
FIG. 6 is a top plan view of the back exercise apparatus shown in FIG. 1; and,
FIG. 7 is a bottom plan view of the back exercise apparatus shown in FIG. 1.

[56] **References Cited**

U.S. PATENT DOCUMENTS

D. 288,950	3/1987	Wilson	D21/191
D. 337,361	7/1993	Engel et al.	D21/191
D. 357,954	5/1995	Lee	D21/191
5,070,863	12/1991	McArthur et al.	482/142
5,215,511	6/1993	Cheng	482/133
5,256,126	10/1993	Grotstein	482/130

1 Claim, 4 Drawing Sheets

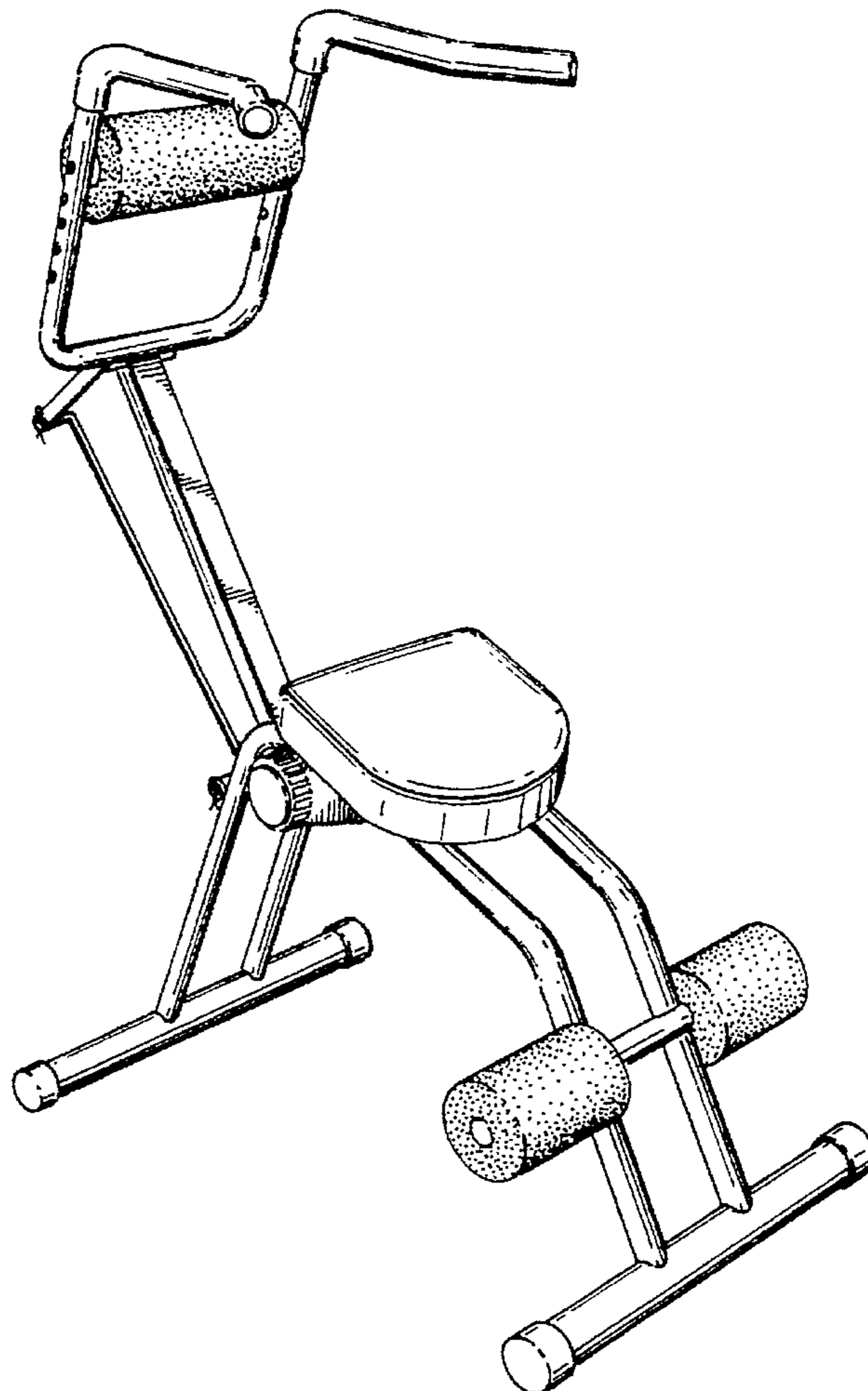
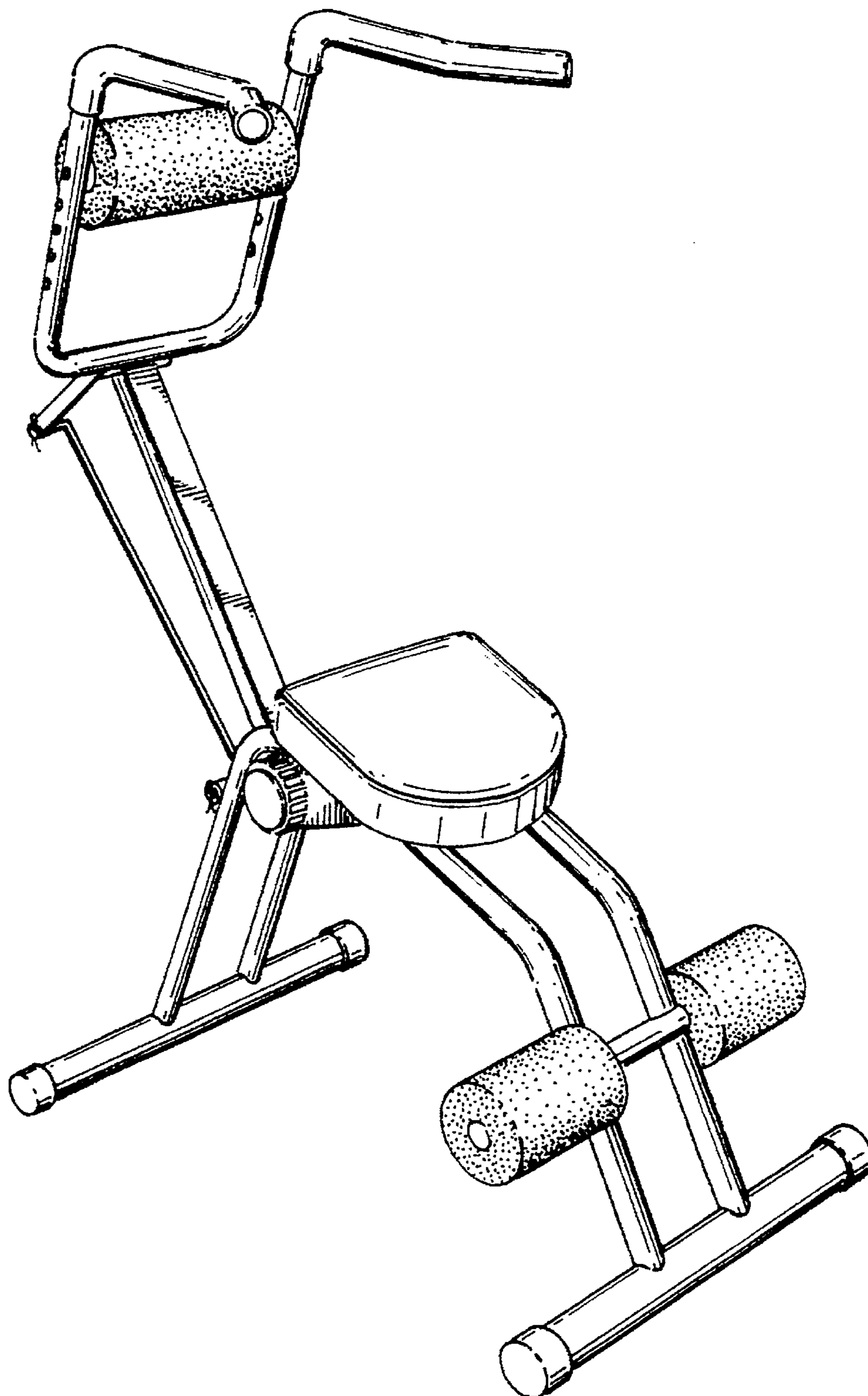


FIG. 1



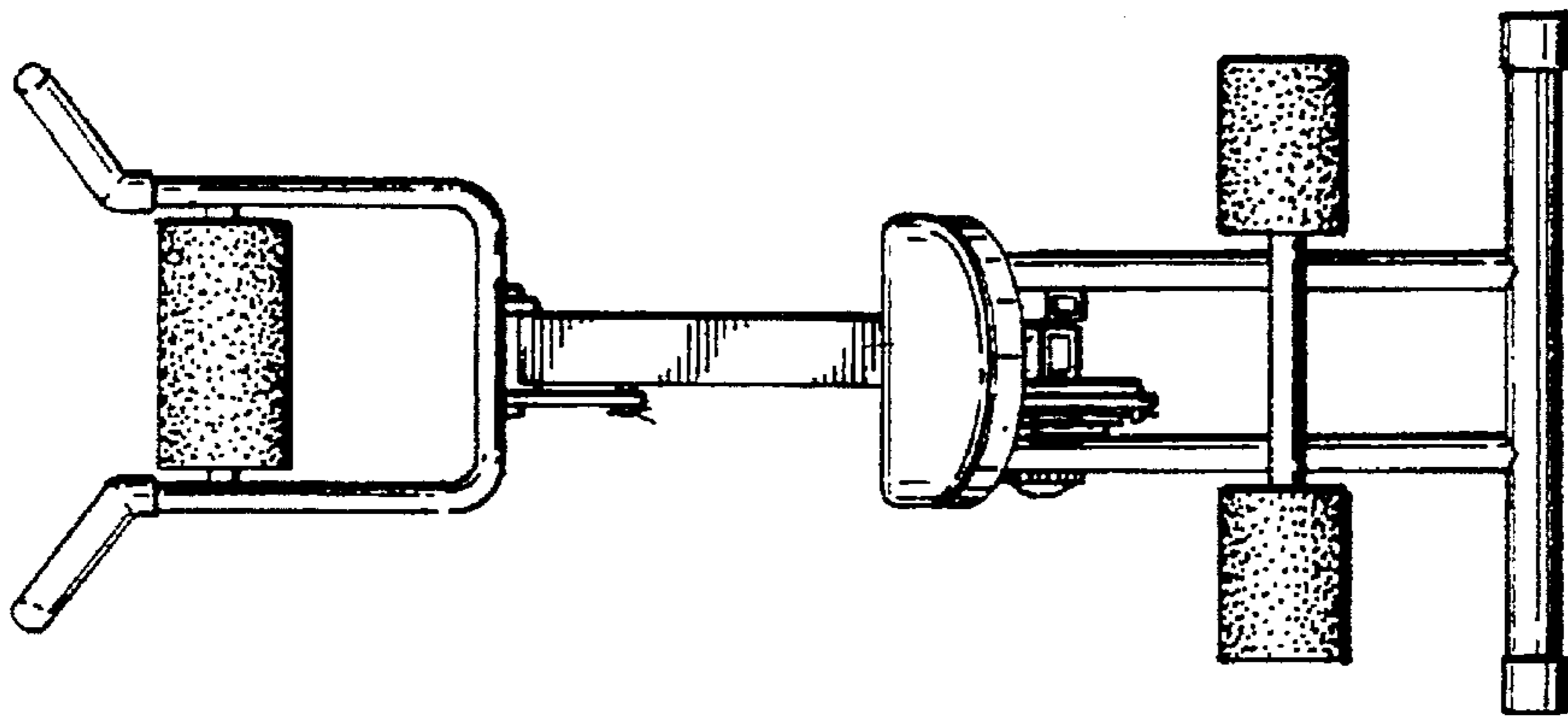


FIG. 2

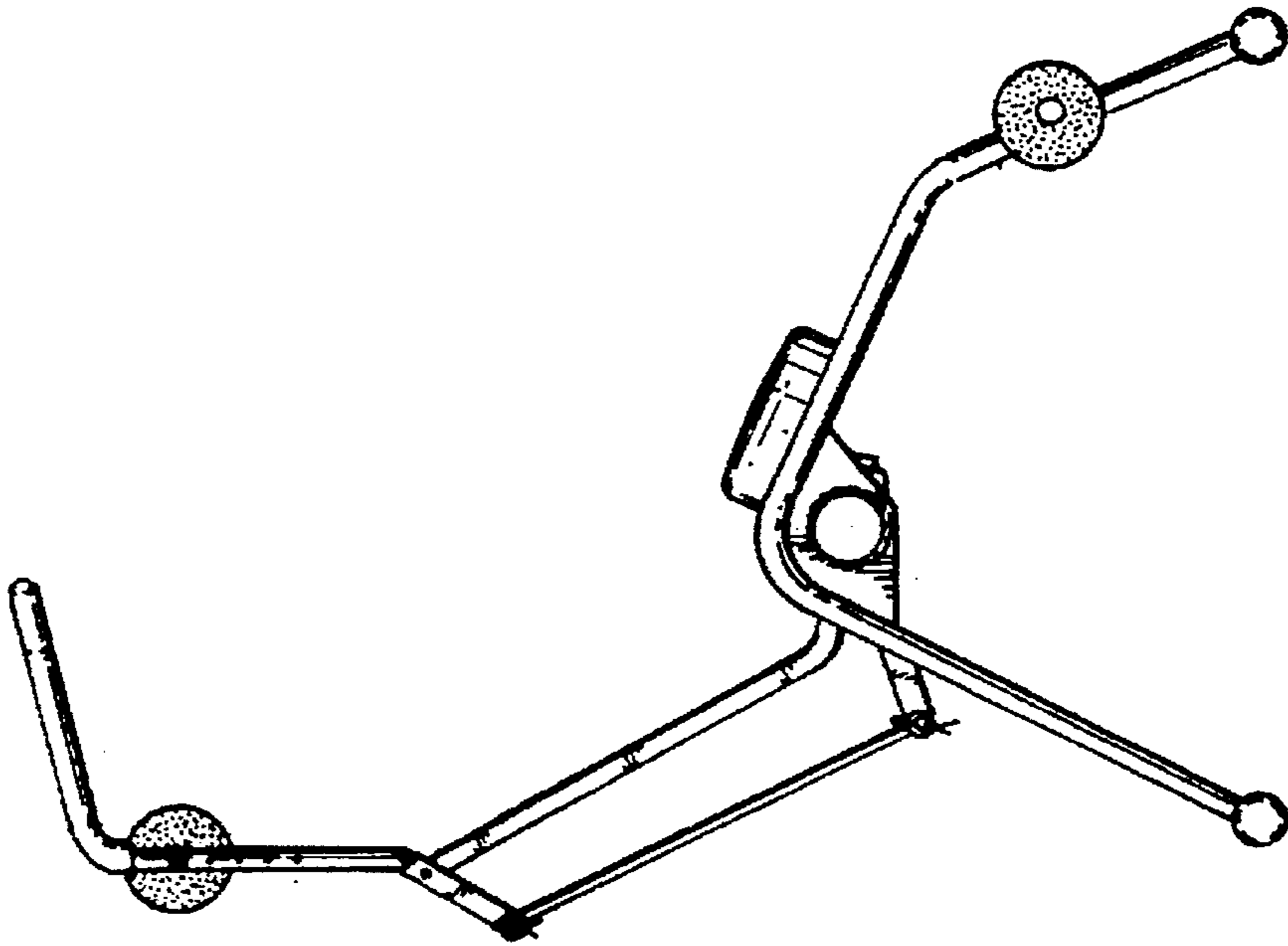


FIG. 3

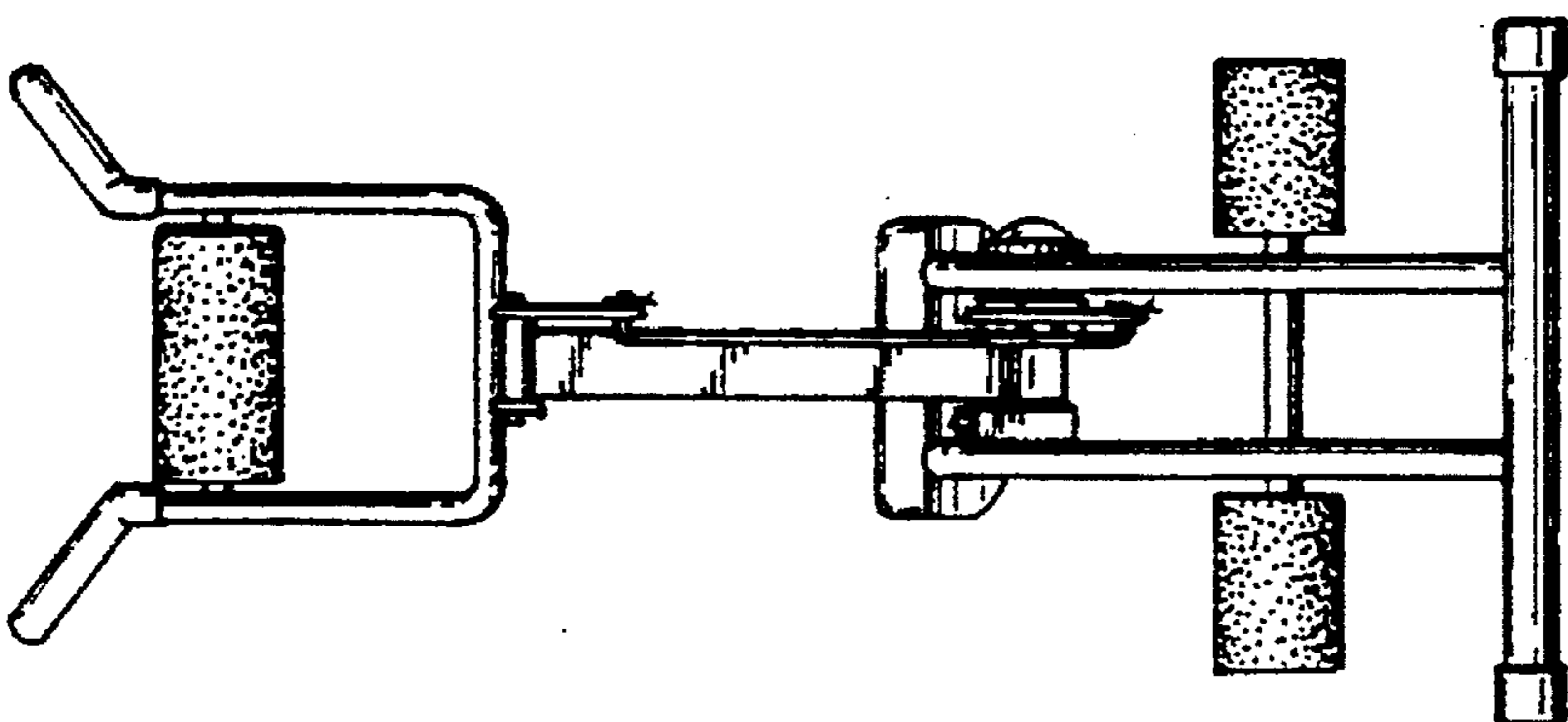


FIG. 4

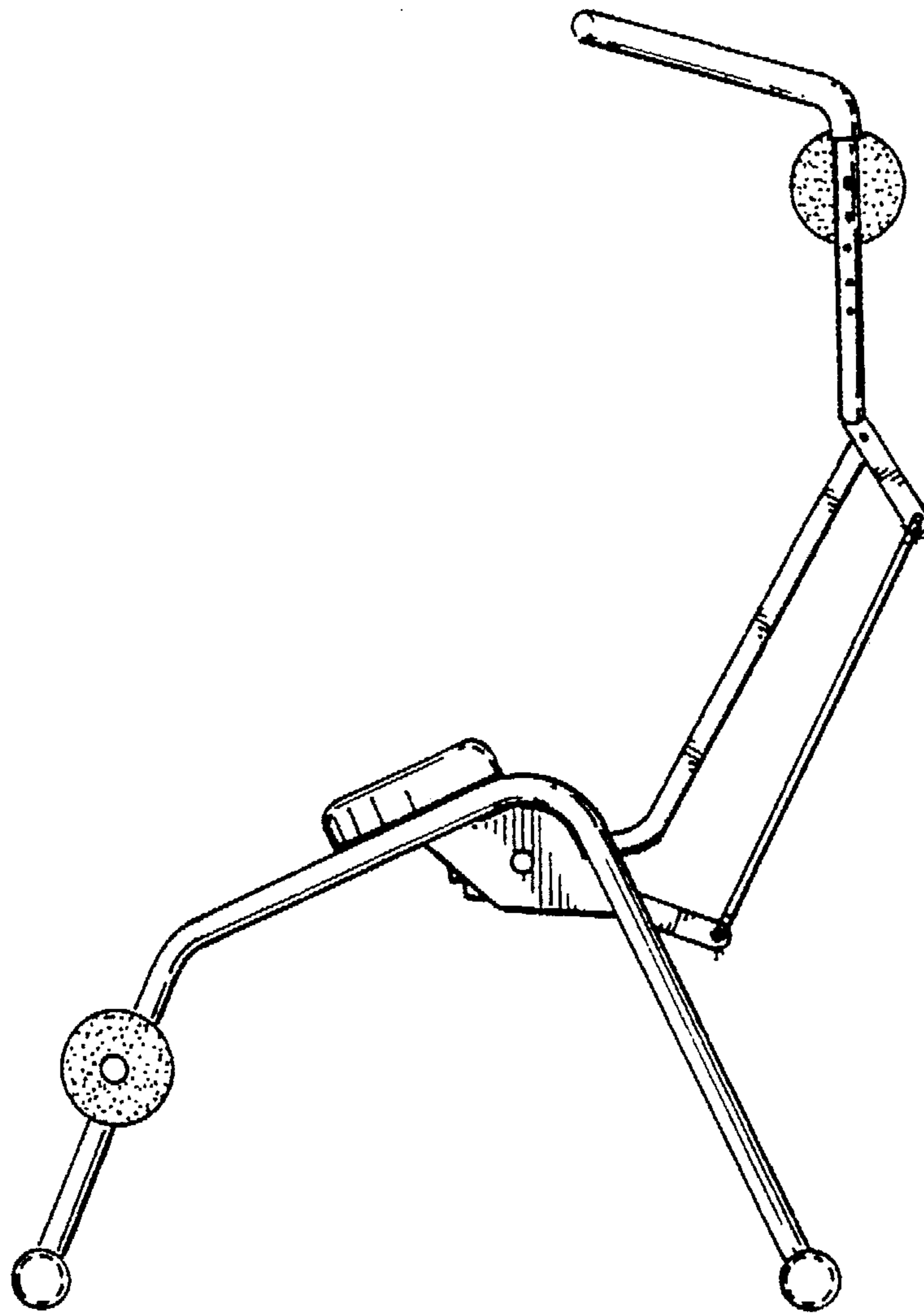


FIG. 5

FIG. 6

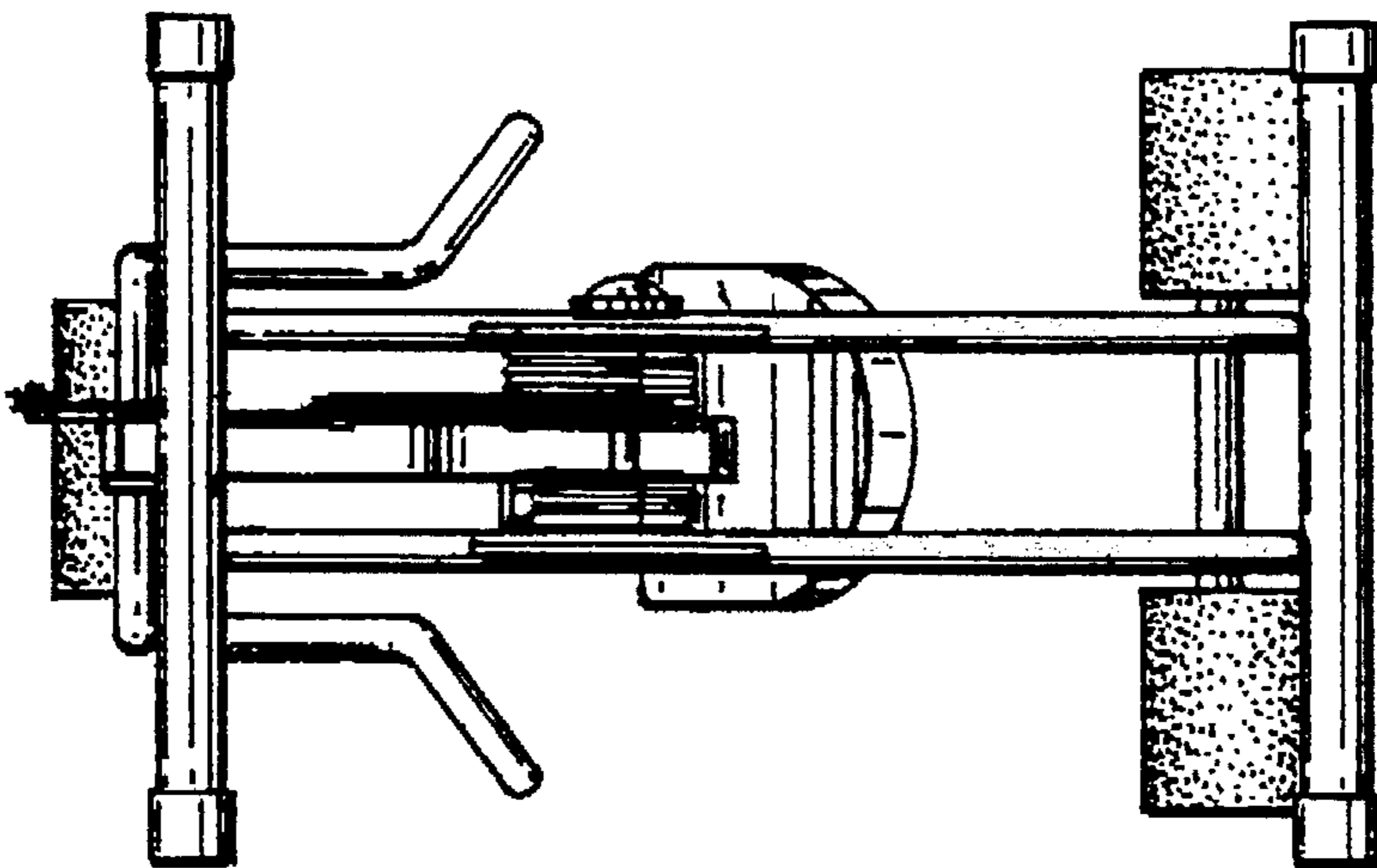
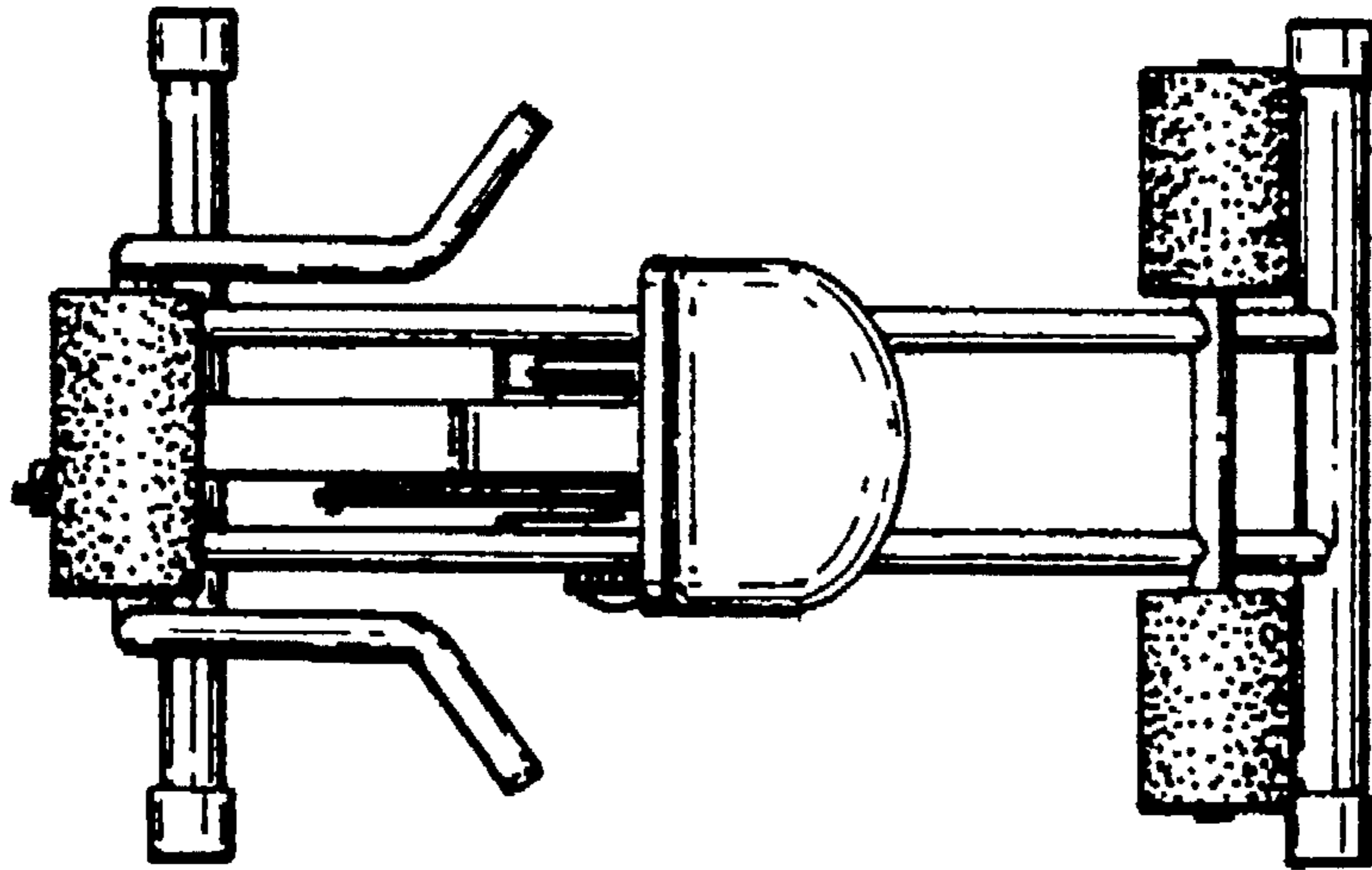


FIG. 7