



US00D380022S

United States Patent [19]

[11] Patent Number: **Des. 380,022**

Kusumi et al.

[45] Date of Patent: ****Jun. 17, 1997**

[54] **CYLINDRICAL TRACK FOR TOY**

4,516,953 5/1985 Hippely et al. 446/444
4,720,283 1/1988 William et al. D21/143

[75] Inventors: **Tatsuo Kusumi; Akira Takasaka**, both of Tokyo, Japan

Primary Examiner—Raphael Barkai
Attorney, Agent, or Firm—Ladas & Parry

[73] Assignee: **Sega Enterprises, Ltd.**, Japan

[57] **CLAIM**

[**] Term: **14 Years**

The ornamental design for a cylindrical track for toy, as shown and described.

[21] Appl. No.: **42,499**

DESCRIPTION

[22] Filed: **Aug. 10, 1995**

[30] **Foreign Application Priority Data**

Feb. 13, 1995 [JP] Japan 7-3545

[51] **LOC (6) Cl.** **21-01**

[52] **U.S. Cl.** **D21/143**

[58] **Field of Search** D21/59, 109, 143;
446/168, 444, 445, 446, 447

FIG. 1 is a perspective view of a cylindrical track for toy showing our new design;
FIG. 2 is a front view thereof;
FIG. 3 is a rear view thereof;
FIG. 4 is a top view thereof;
FIG. 5 is a bottom view thereof;
FIG. 6 is a right side view thereof;
FIG. 7 is a left side view thereof; and,
FIG. 8 is a perspective view thereof, the broken line showing of the toy vehicles is for illustrative purposes only and forms no part of the claimed design.
The parts of the design seen through the transparent tower form no part of the claimed design.

[56] **References Cited**

U.S. PATENT DOCUMENTS

D. 226,957 5/1973 Arai D21/143
D. 306,885 3/1990 Koch D21/143
4,251,949 2/1981 Buck et al. 446/444

1 Claim, 5 Drawing Sheets

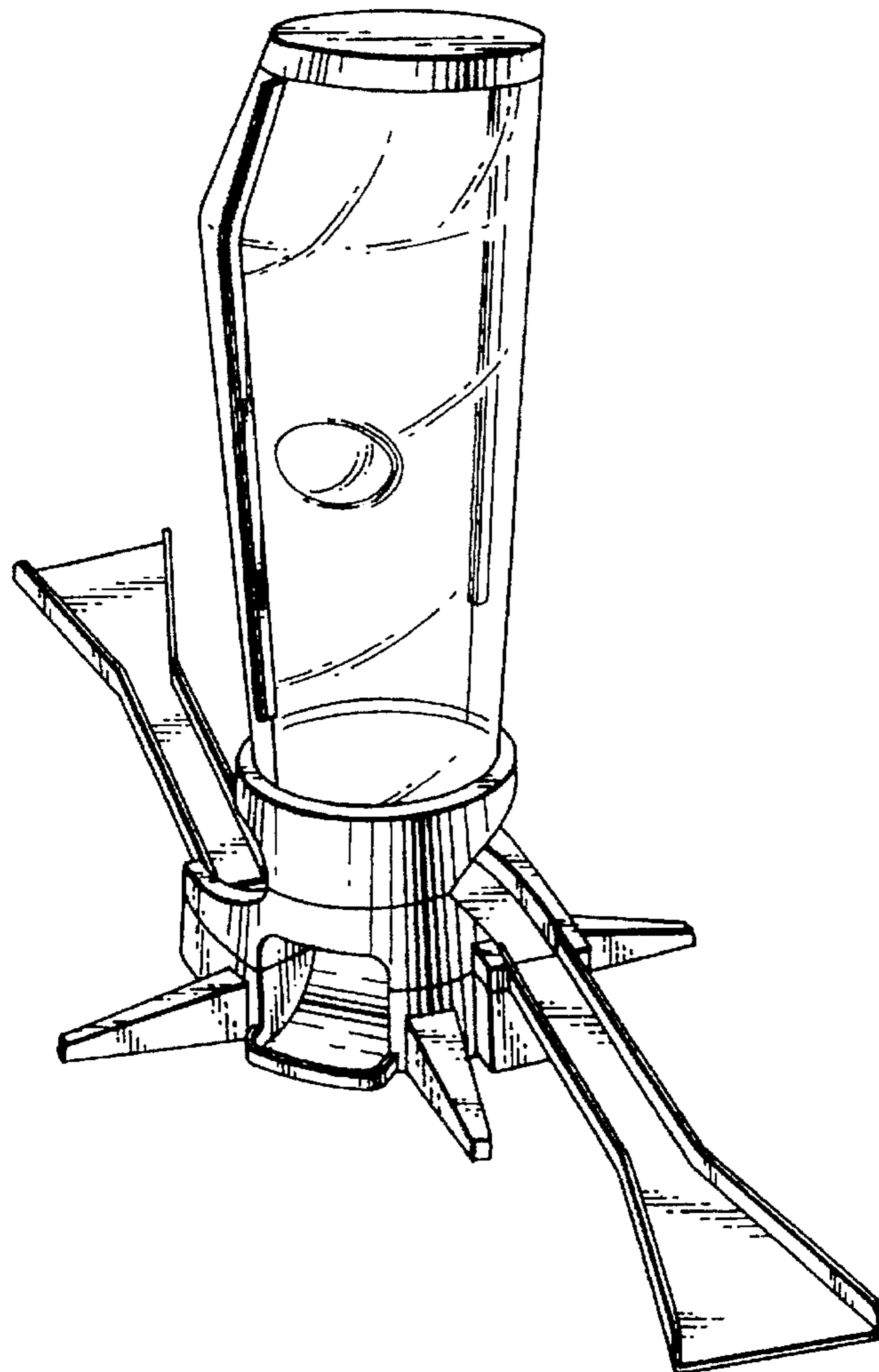


FIG. 1

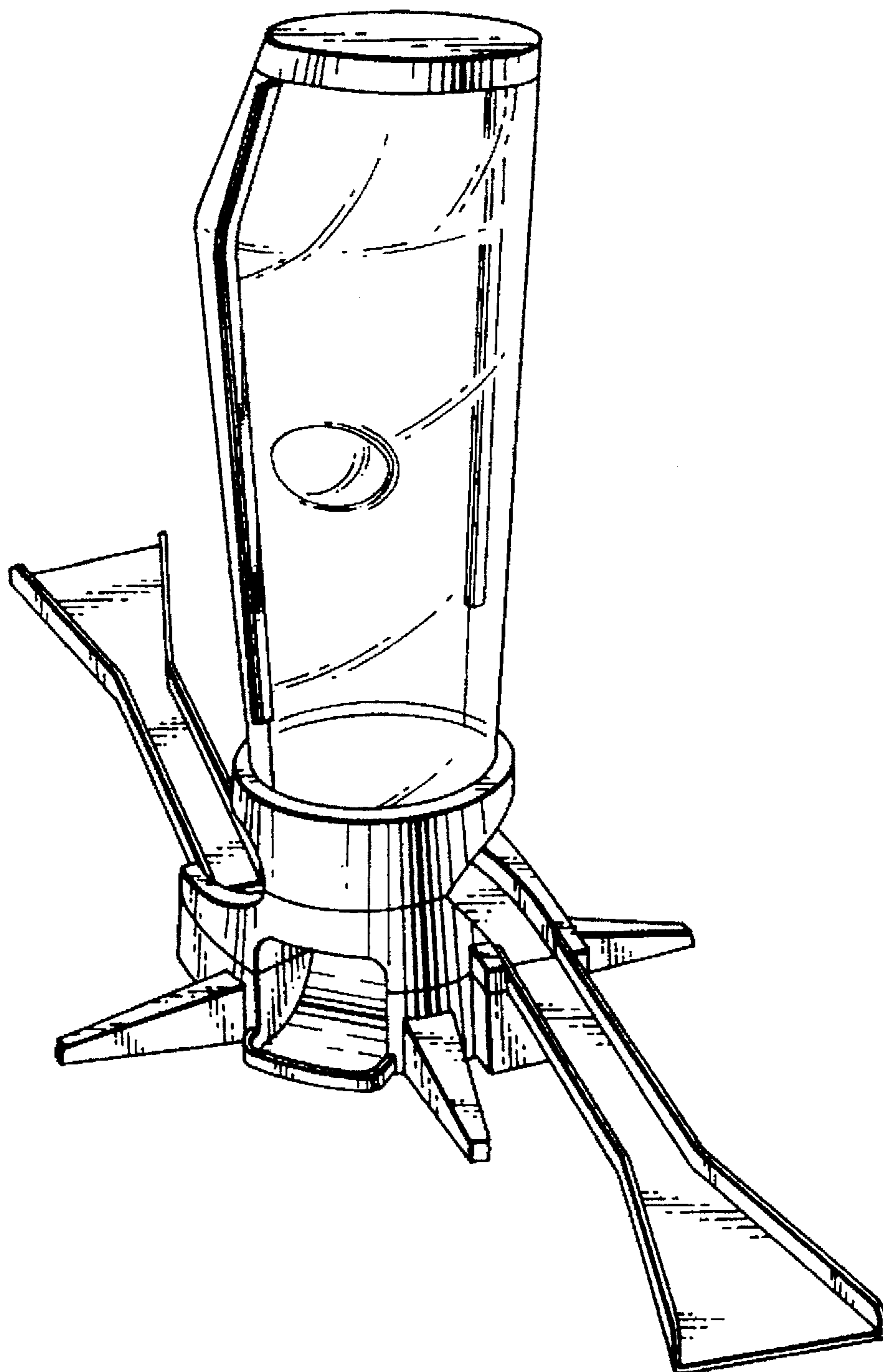


FIG. 2

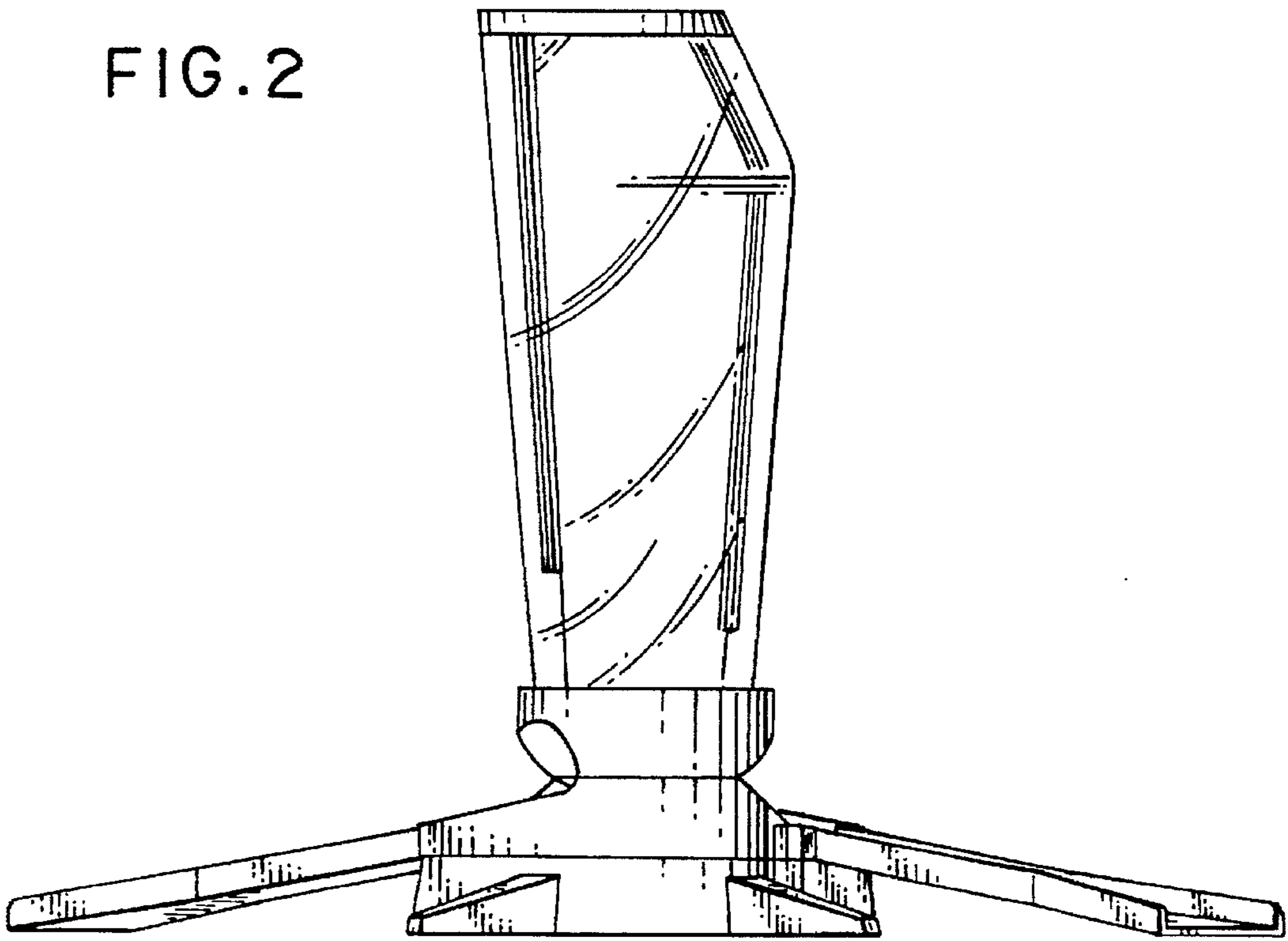


FIG. 3

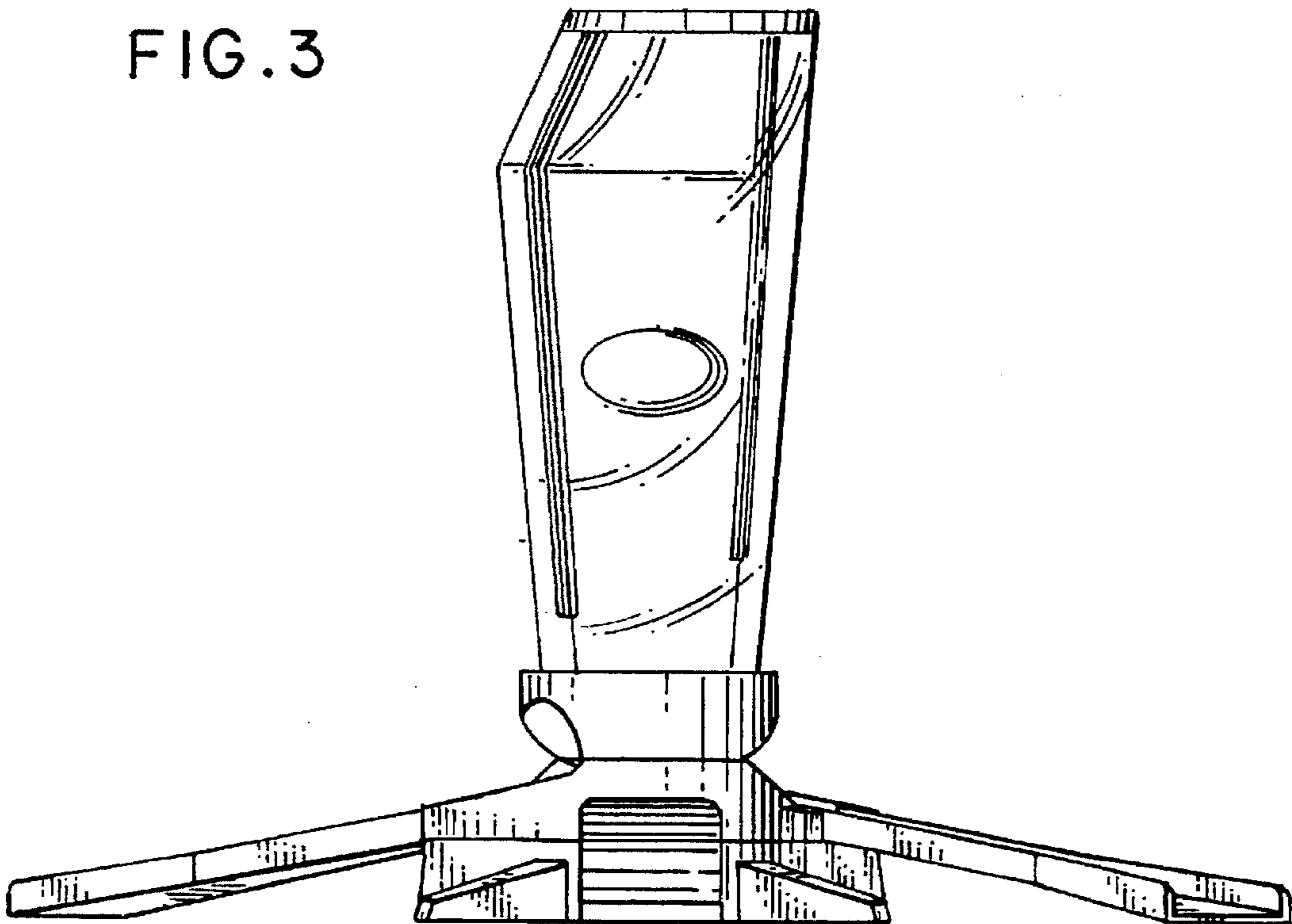


FIG. 4

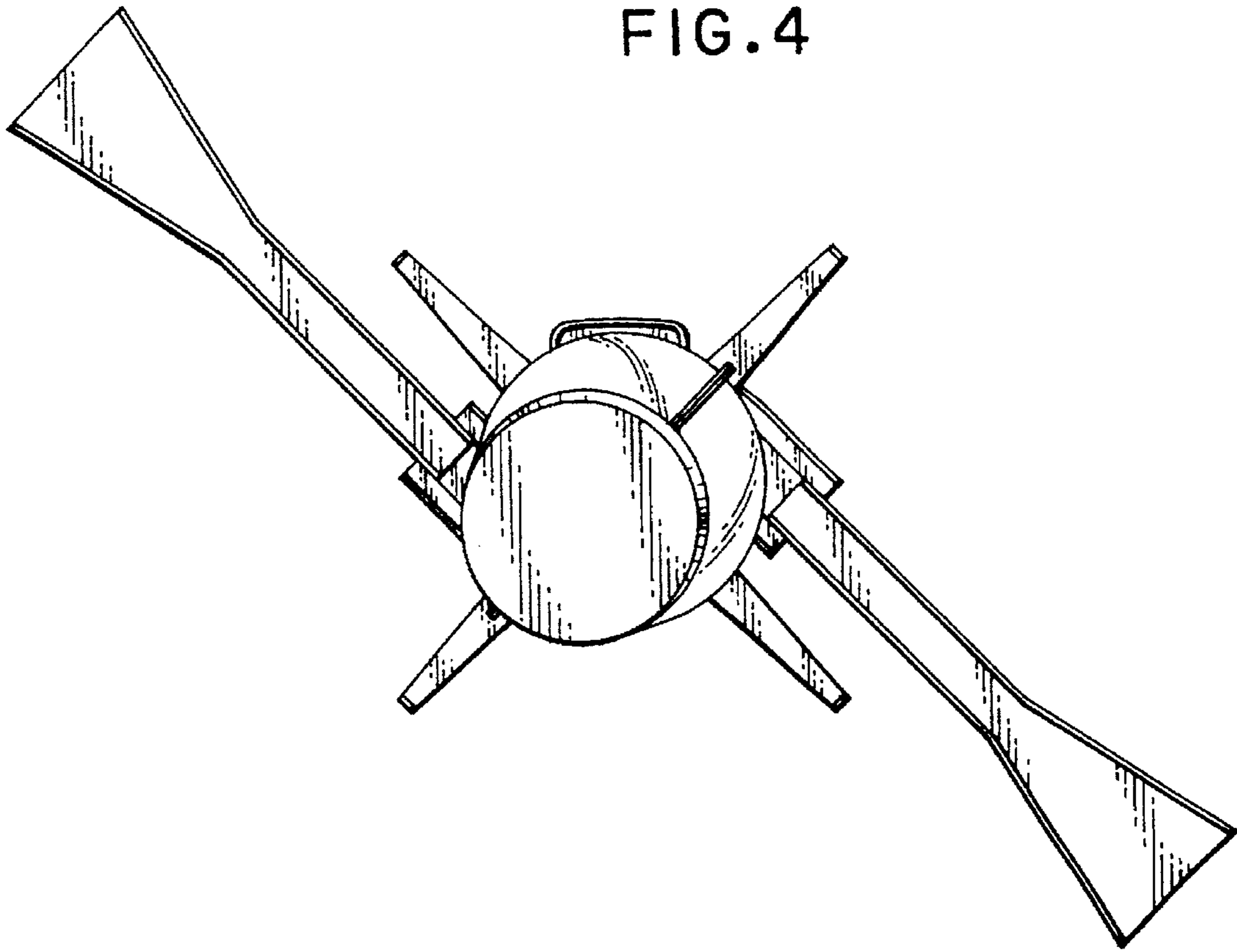


FIG. 5

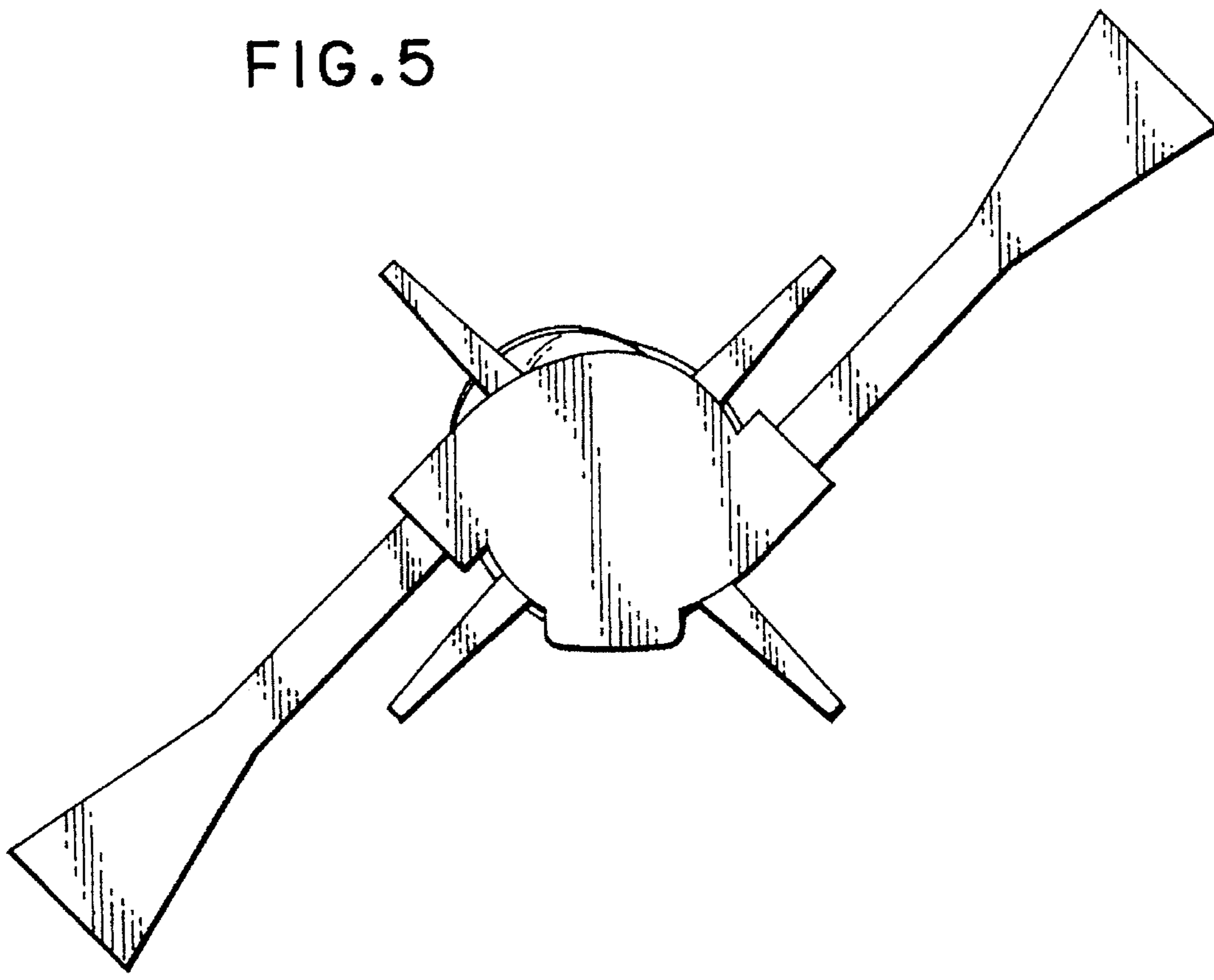


FIG. 6

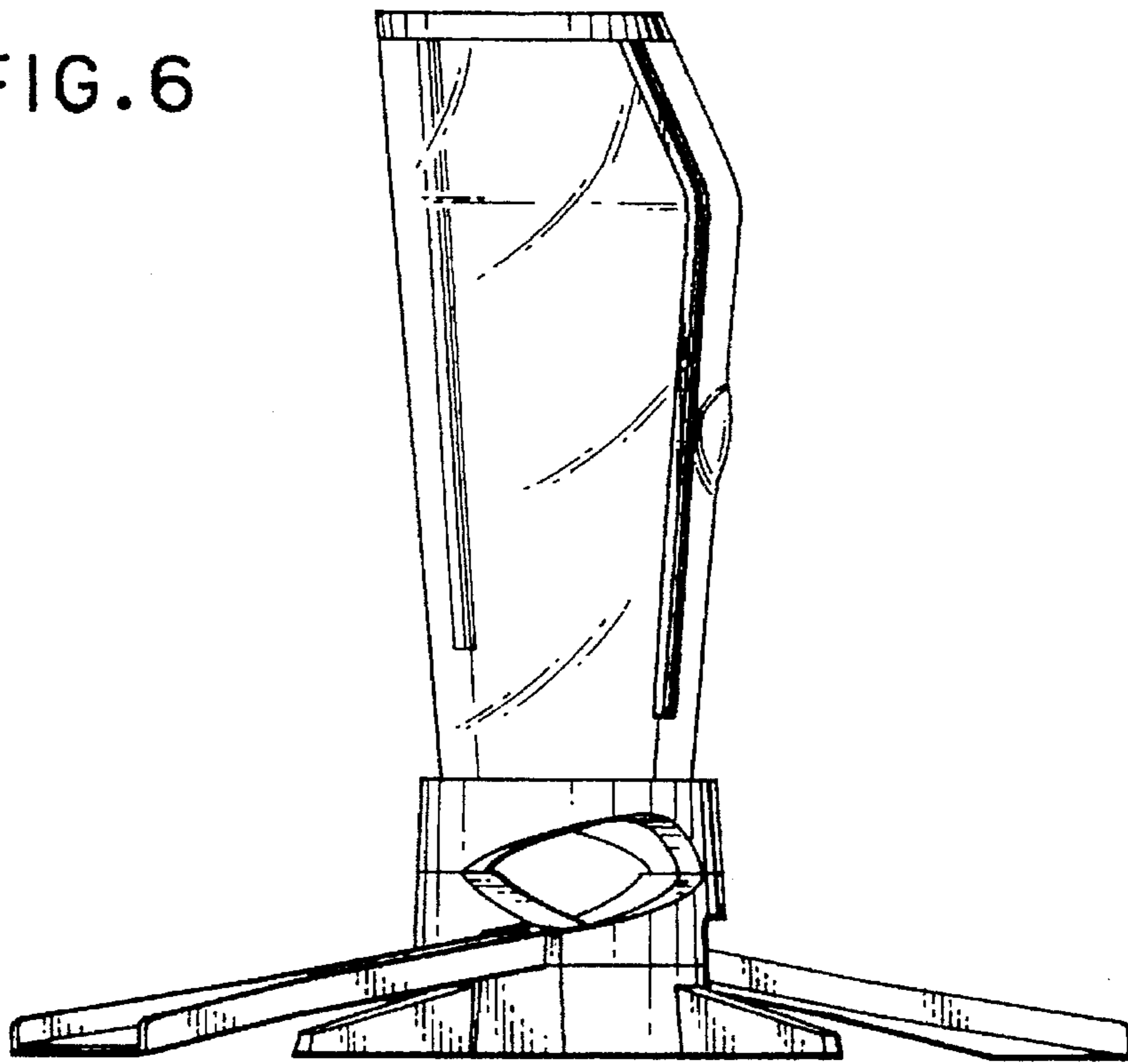


FIG. 7

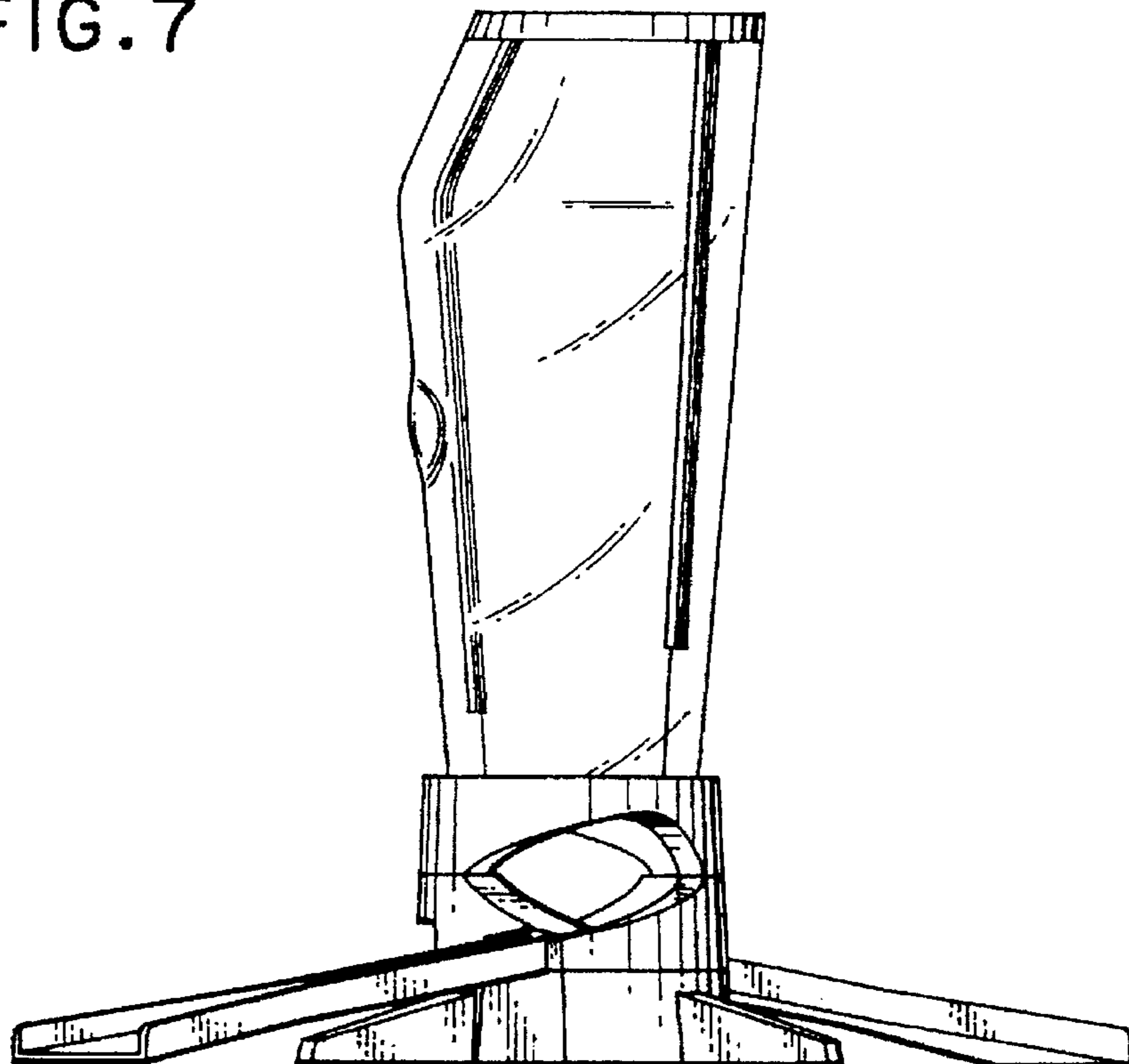


FIG. 8

