



US00D380016S

United States Patent [19]

[11] Patent Number: **Des. 380,016**

Jaeb et al.

[45] Date of Patent: ****Jun. 17, 1997**

[54] TOY MEGAPHONE

[75] Inventors: **Michael S. Jaeb**, Hiram, Ohio;
Elizabeth Knight, Westwood, Mass.;
Andrew Wan, Kowloon, Hong Kong

[73] Assignee: **The Little Tikes Company**, Hudson, Ohio

[**] Term: **14 Years**

[21] Appl. No.: **48,640**

[22] Filed: **Jan. 5, 1996**

[51] LOC (6) Cl. **21-01**

[52] U.S. Cl. **D21/59; D21/64**

[58] Field of Search **D21/59, 64; D14/187; 381/75; 446/397, 408**

[56] References Cited

U.S. PATENT DOCUMENTS

D. 168,578	6/1953	Levison	D14/187
D. 271,968	12/1983	Segan et al.	D14/187
D. 283,772	5/1986	Vail	D14/187 X
D. 338,464	8/1993	Darby	D14/187
D. 359,522	6/1995	Kino	D21/64
3,412,207	11/1968	Sugawara	381/75

OTHER PUBLICATIONS

P. 30, Toy megaphone; Toys R' Us Flyer, 461 From Road, Paramus, New Jersey 07652. Publication date Dec. 10, 1995.

P. 155, Toy megaphone; Mattel, Inc., El Segundo, California 90245. Publication date 1995.

Primary Examiner—Dominic Simone
Attorney, Agent, or Firm—Richard B. O'Planick; Lisa B. Riedesel

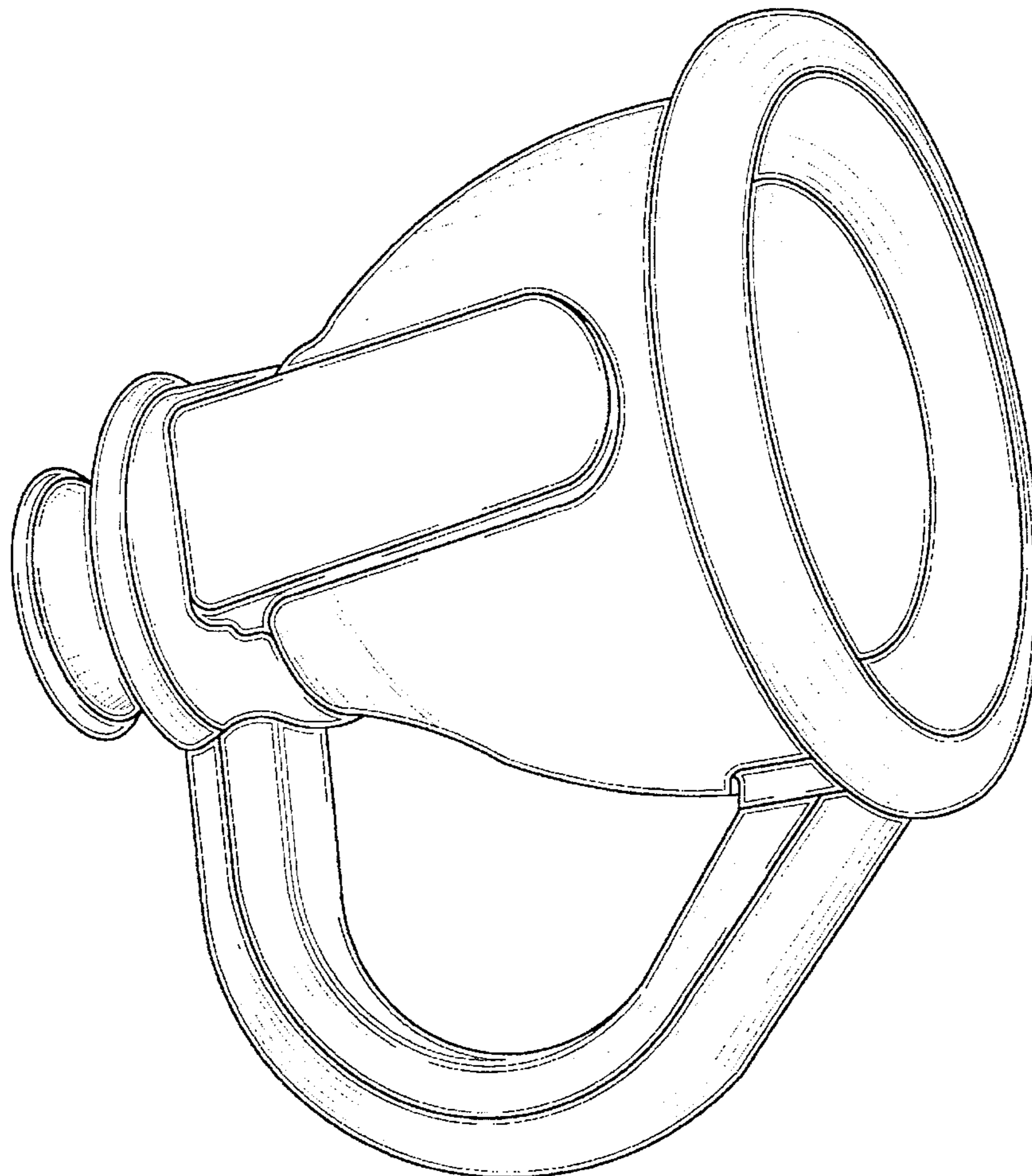
[57] CLAIM

The ornamental design for a toy megaphone, as shown and described.

DESCRIPTION

FIG. 1 is a top right front perspective view of a toy megaphone showing our new design;
FIG. 2 is a front elevational view thereof;
FIG. 3 is a rear elevational view thereof;
FIG. 4 is a bottom plan view thereof;
FIG. 5 is a top plan view thereof;
FIG. 6 is a right side elevational view thereof; and,
FIG. 7 is a left side elevational view thereof.

1 Claim, 6 Drawing Sheets



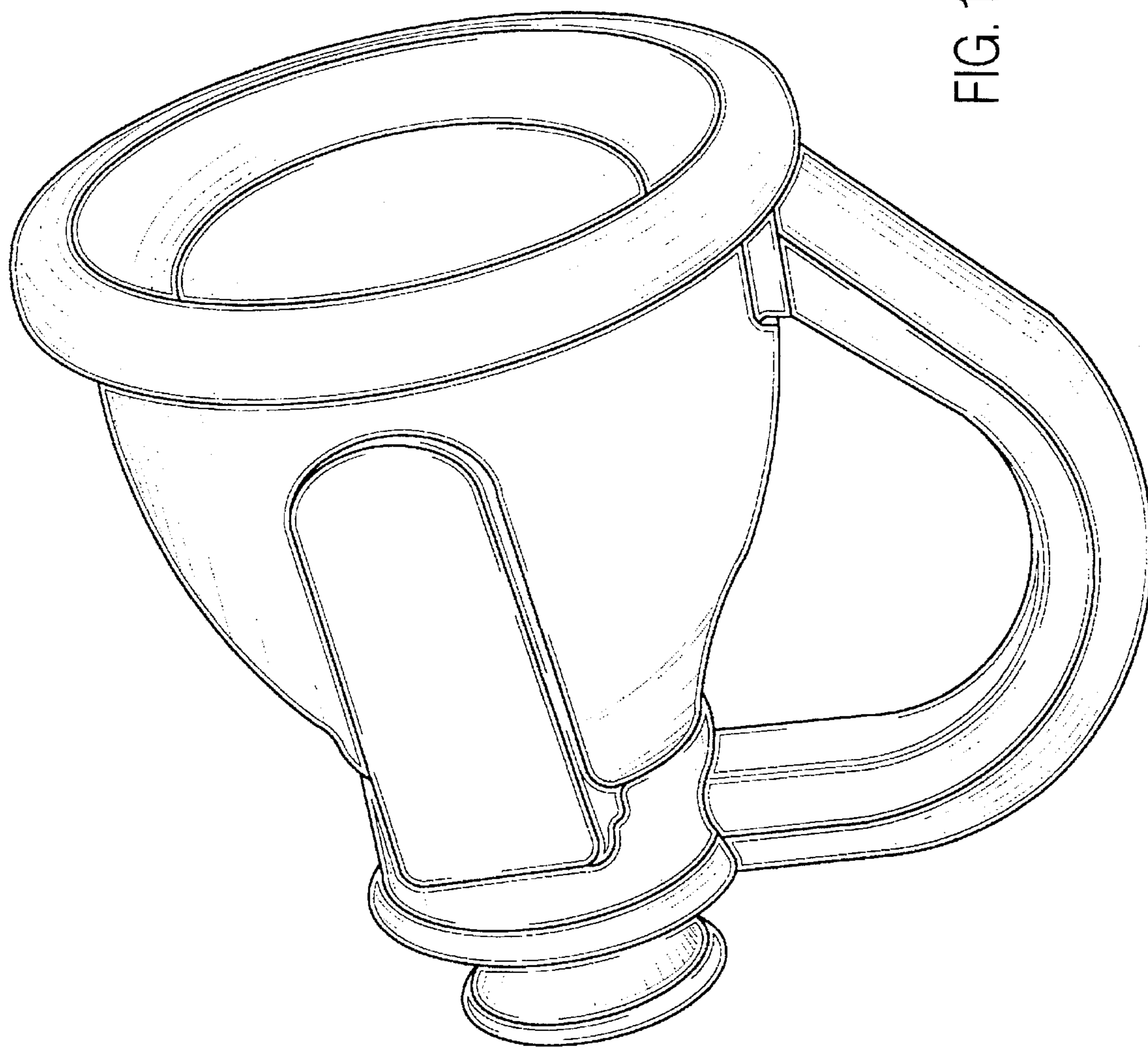


FIG. 1

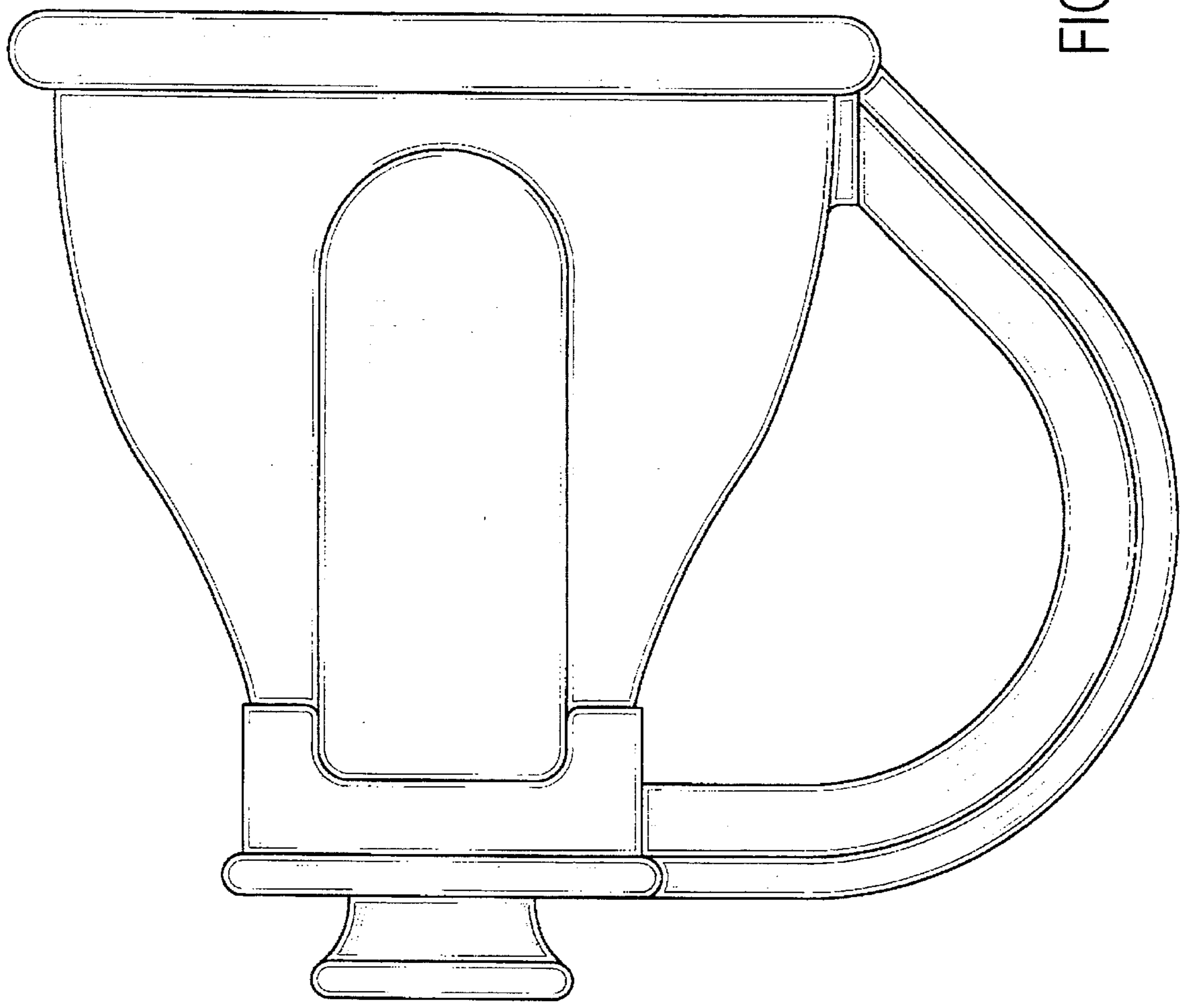


FIG. 2

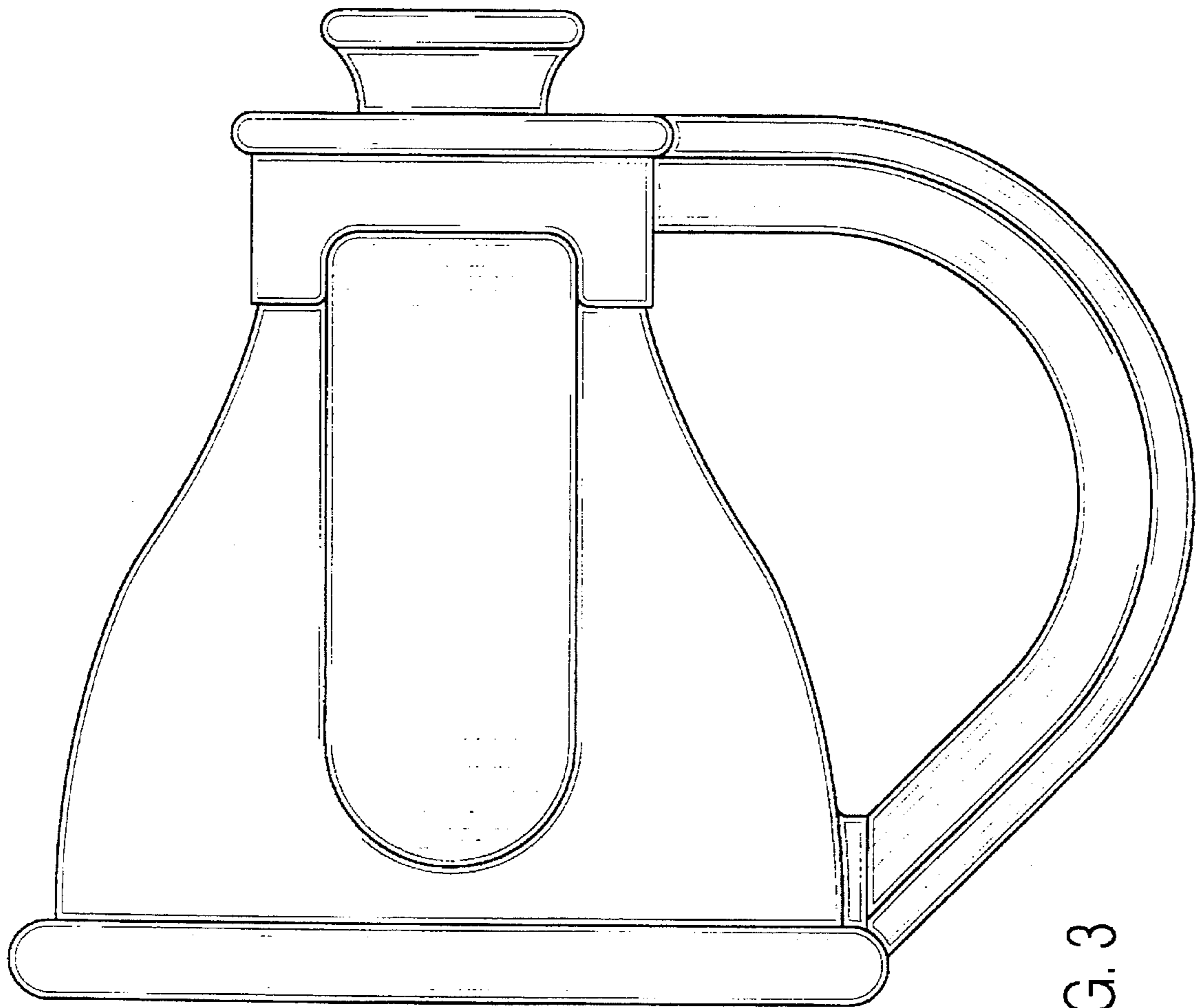


FIG. 3

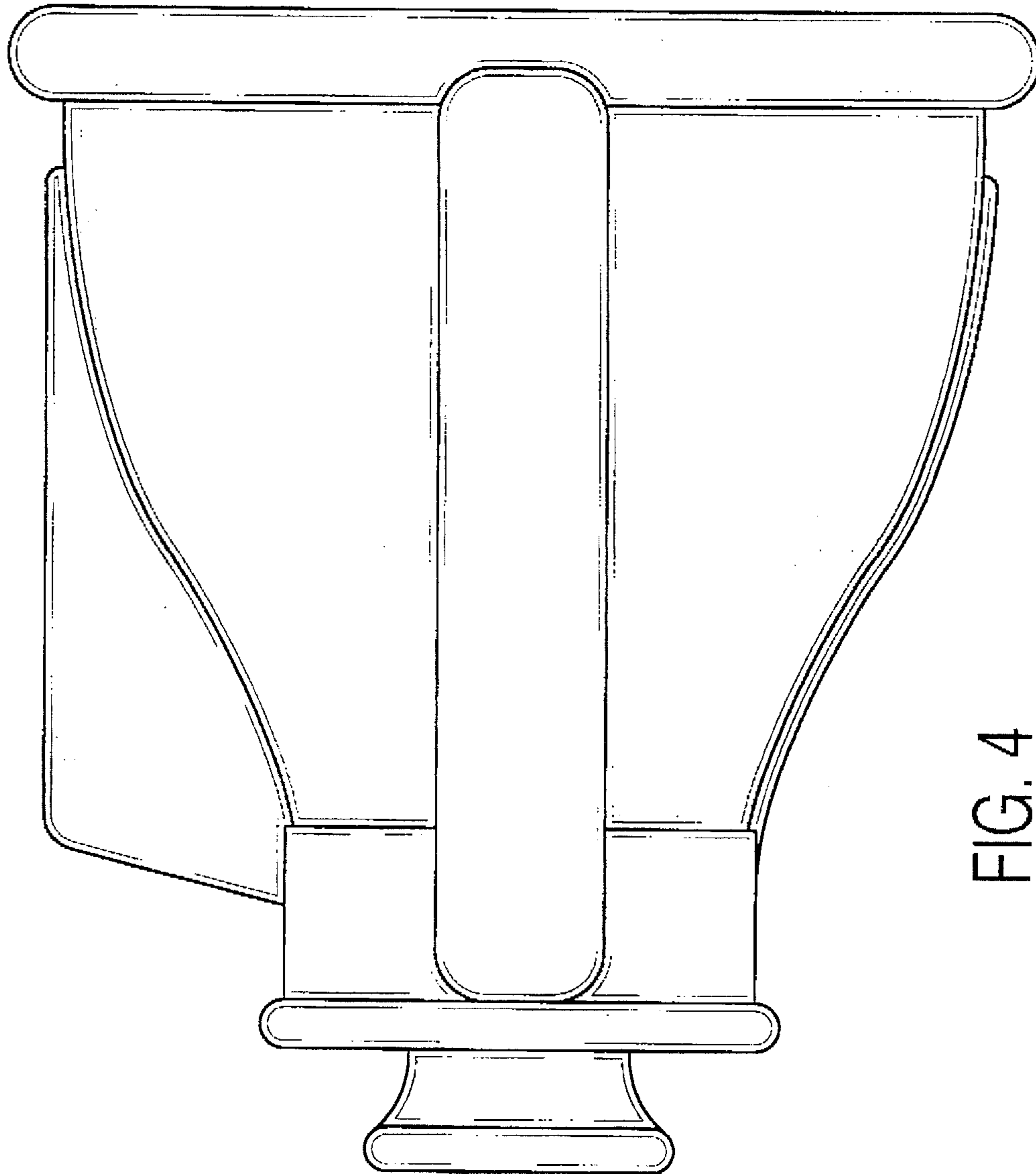


FIG. 4

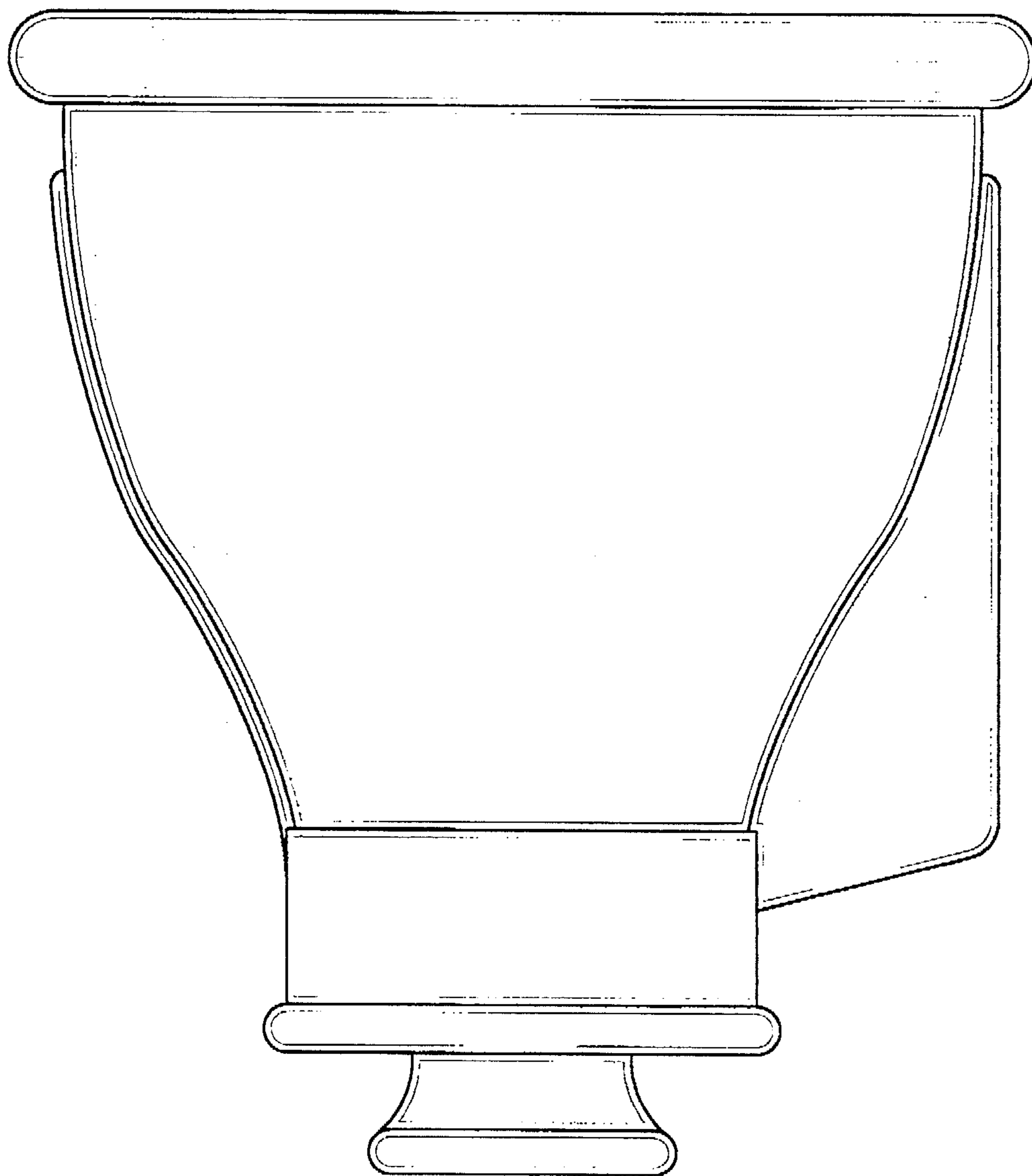


FIG. 5

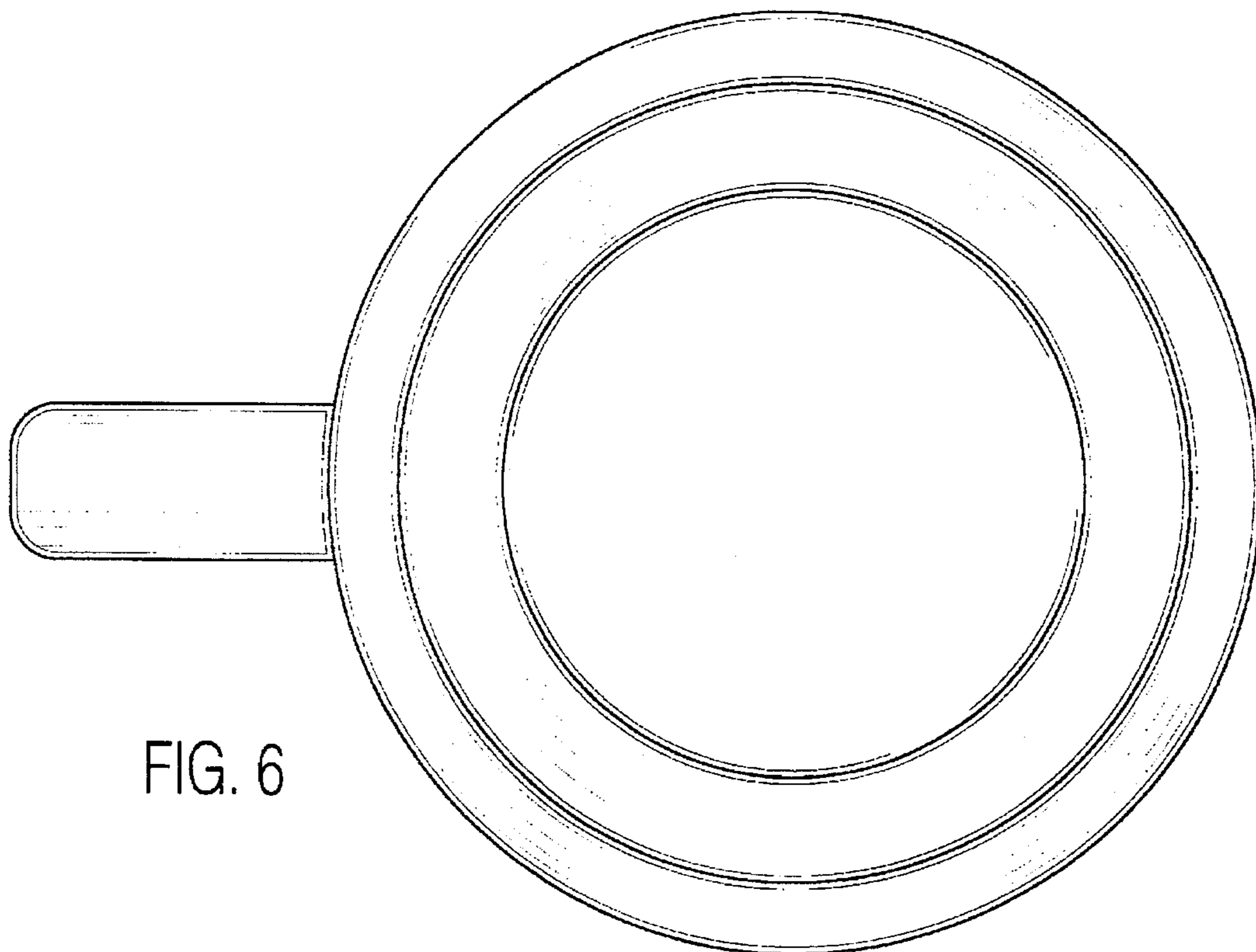


FIG. 6

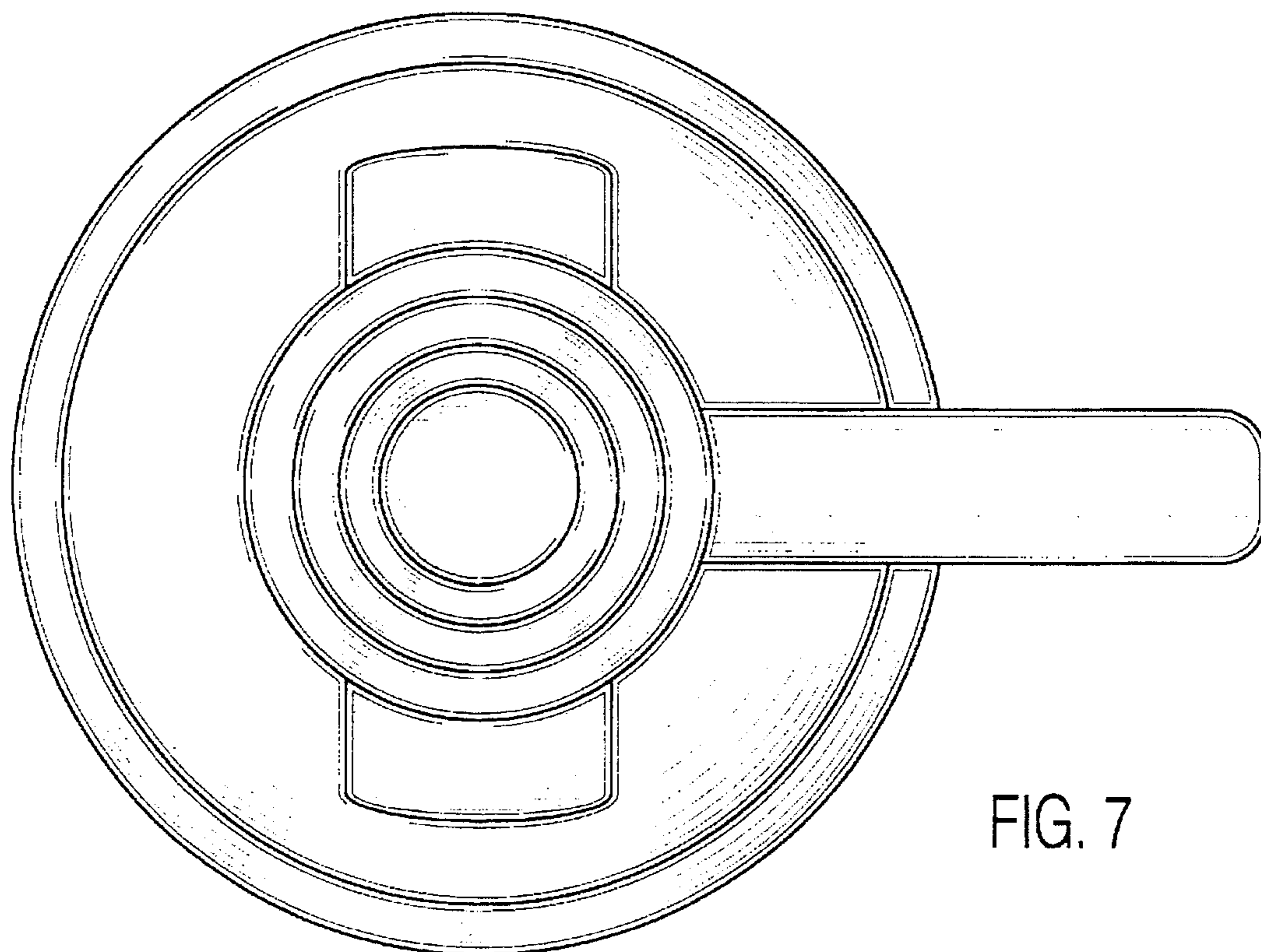


FIG. 7