



US00D380012S

United States Patent [19] McGarry-Webster

[11] Patent Number: **Des. 380,012**

[45] Date of Patent: ****Jun. 17, 1997**

[54] SET OF GOLF TAGS
[75] Inventor: **Linda McGarry-Webster**, Berwyn, Pa.
[73] Assignee: **Champ-T, Inc.**, Berwyn, Pa.
[**] Term: **14 Years**

4,616,435 10/1986 Perfect 40/6
4,991,338 2/1991 Jones 40/915 X
5,214,871 6/1993 DiCataldo, Sr. 40/649

OTHER PUBLICATIONS

Competitive Edge Golf, Golf Flash Cards—Item#0919, p. 46.

Primary Examiner—Susan J. Lucas
Assistant Examiner—Jennifer A. Register
Attorney, Agent, or Firm—Duane, Morris & Heckscher

[21] Appl. No.: **39,464**
[22] Filed: **May 23, 1995**

[51] LOC (6) Cl. **19-08**
[52] U.S. Cl. **D20/22; D21/234**
[58] Field of Search D19/64; D20/10,
D20/12, 19, 21, 22, 27, 40, 42; 40/662,
299, 640, 489, 6, 653, 915, 642, 1.6, 1.5;
D21/234

[57] CLAIM

The ornamental design for a set of golf tags, as shown and described.

DESCRIPTION

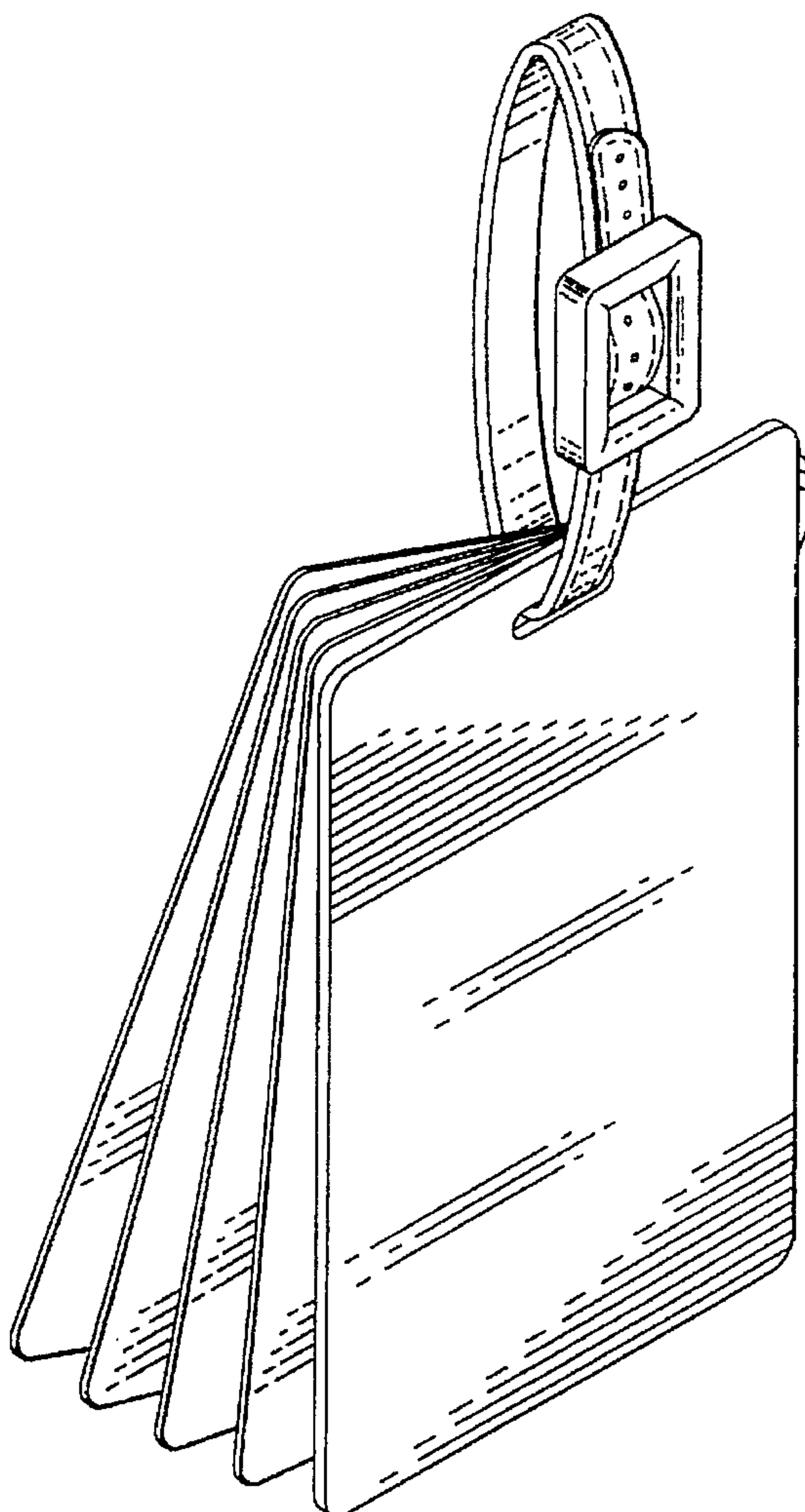
FIG. 1 is a front perspective view of the set of golf tag;
FIG. 2 is a top view of the set of golf tag;
FIG. 3 is a bottom view of the set of golf tag;
FIG. 4 is a left-side view of the set of golf tag;
FIG. 5 is a right-side view of the set of golf tag;
FIG. 6 is a view of the front of the set of golf tag; and,
FIG. 7 is a view of the back of the set of golf tag.

[56] References Cited

U.S. PATENT DOCUMENTS

D. 287,864 1/1987 Perfect D20/27
D. 327,229 6/1992 Bonneville D20/40 X
D. 357,280 4/1995 Bechler et al. D19/64
3,318,030 5/1967 Stern D20/27 X
4,187,628 2/1980 Thompson 40/662 X

1 Claim, 3 Drawing Sheets



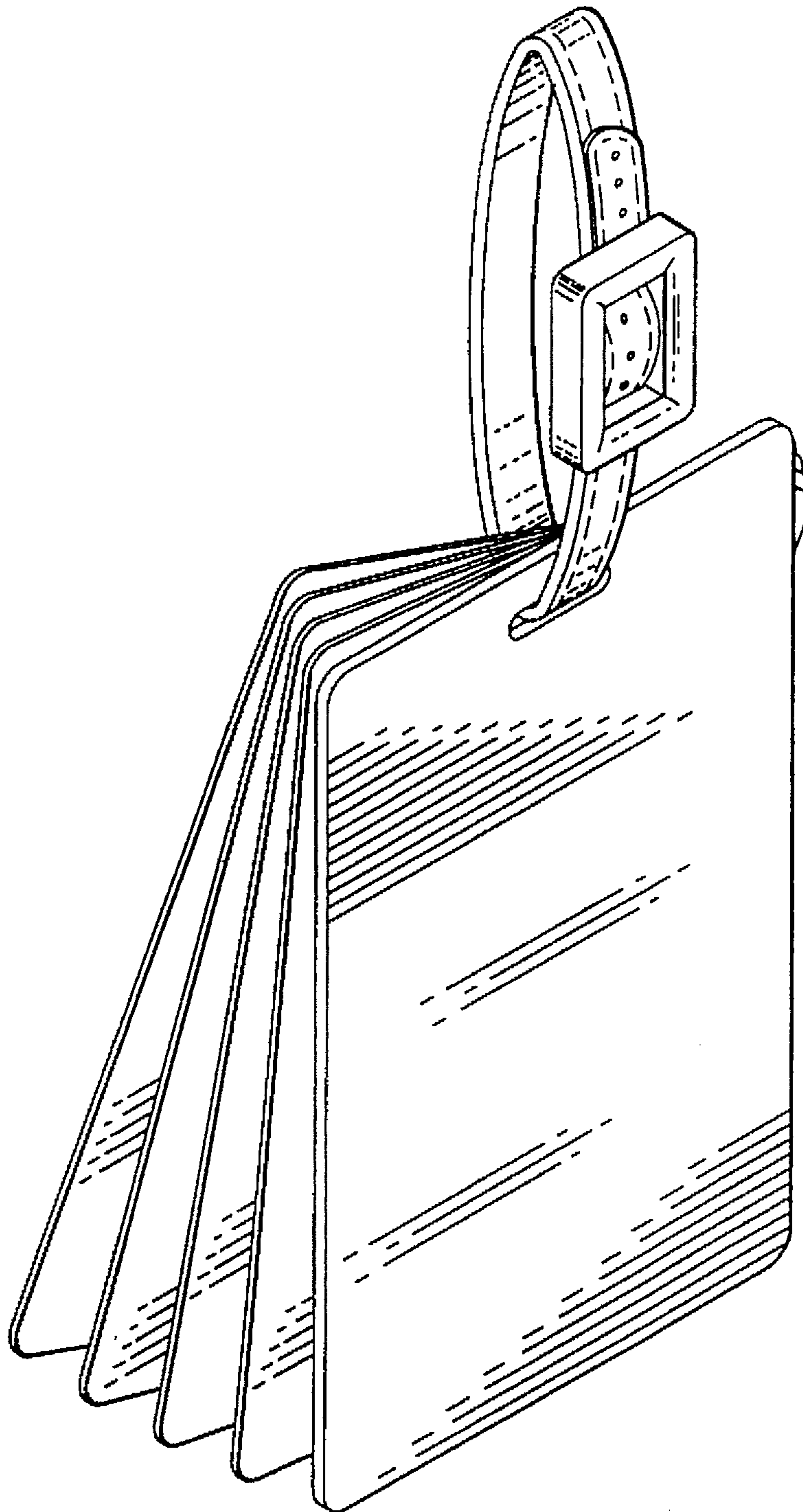


FIG. 1

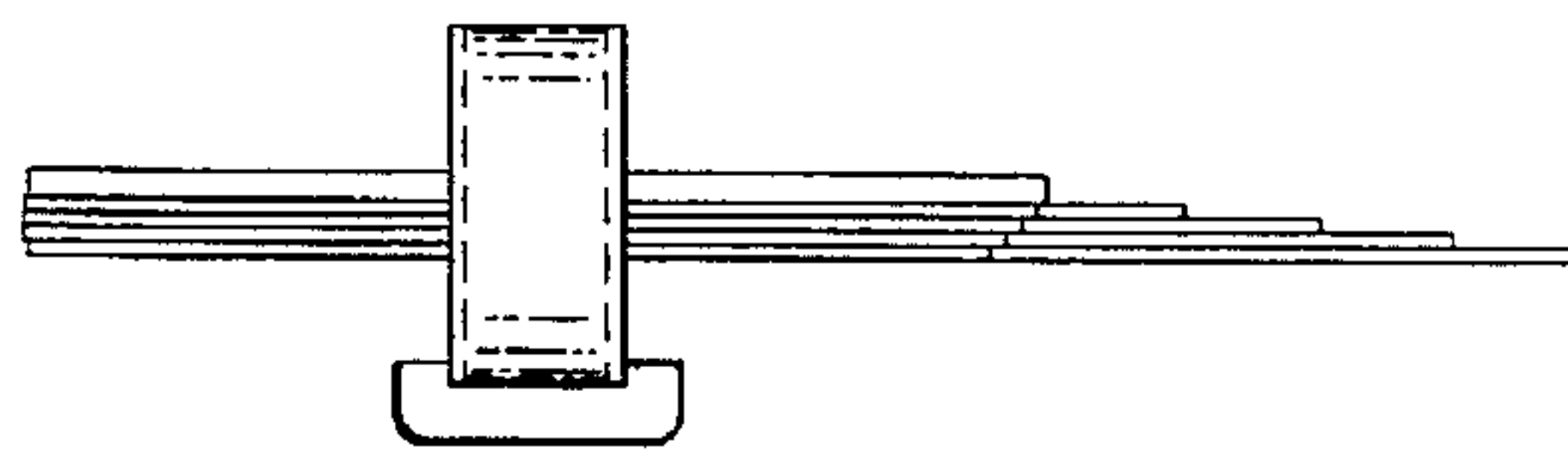


FIG. 2

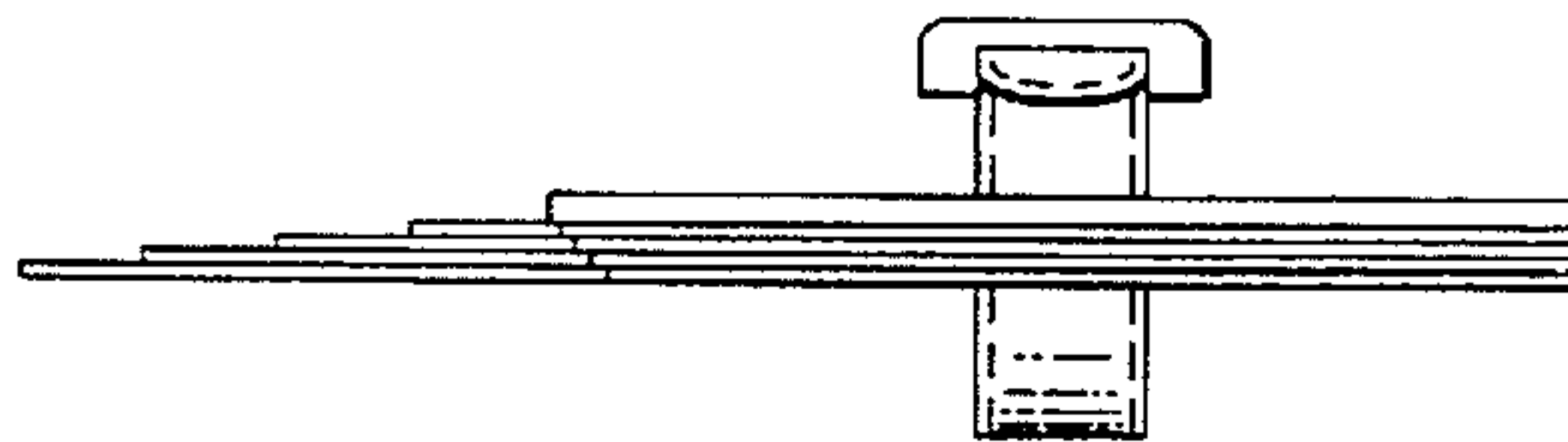


FIG. 3

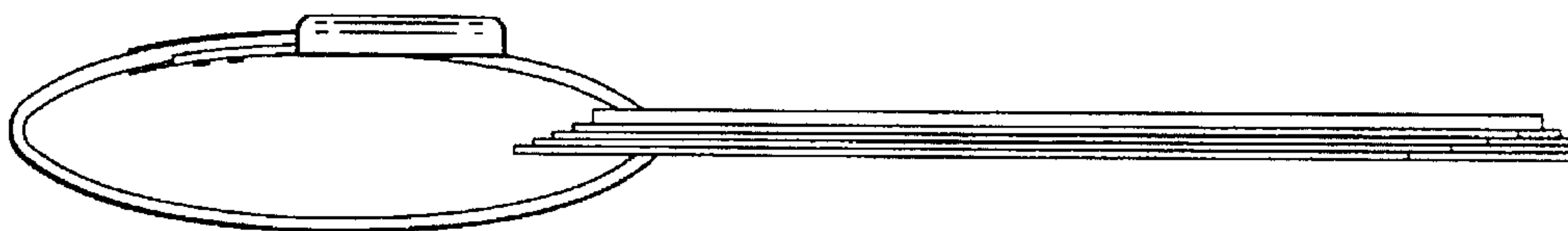


FIG. 4



FIG. 5

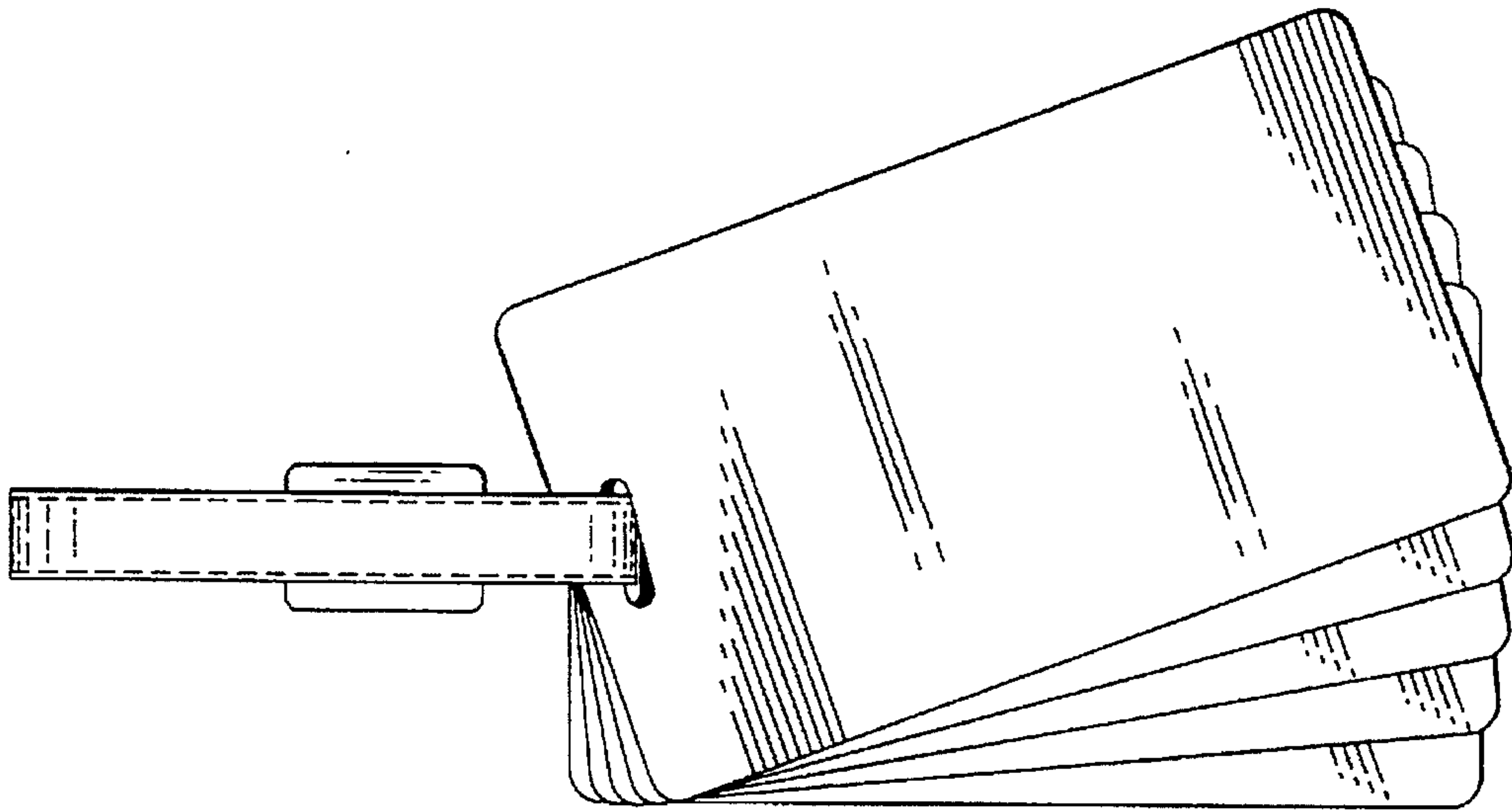


FIG. 7

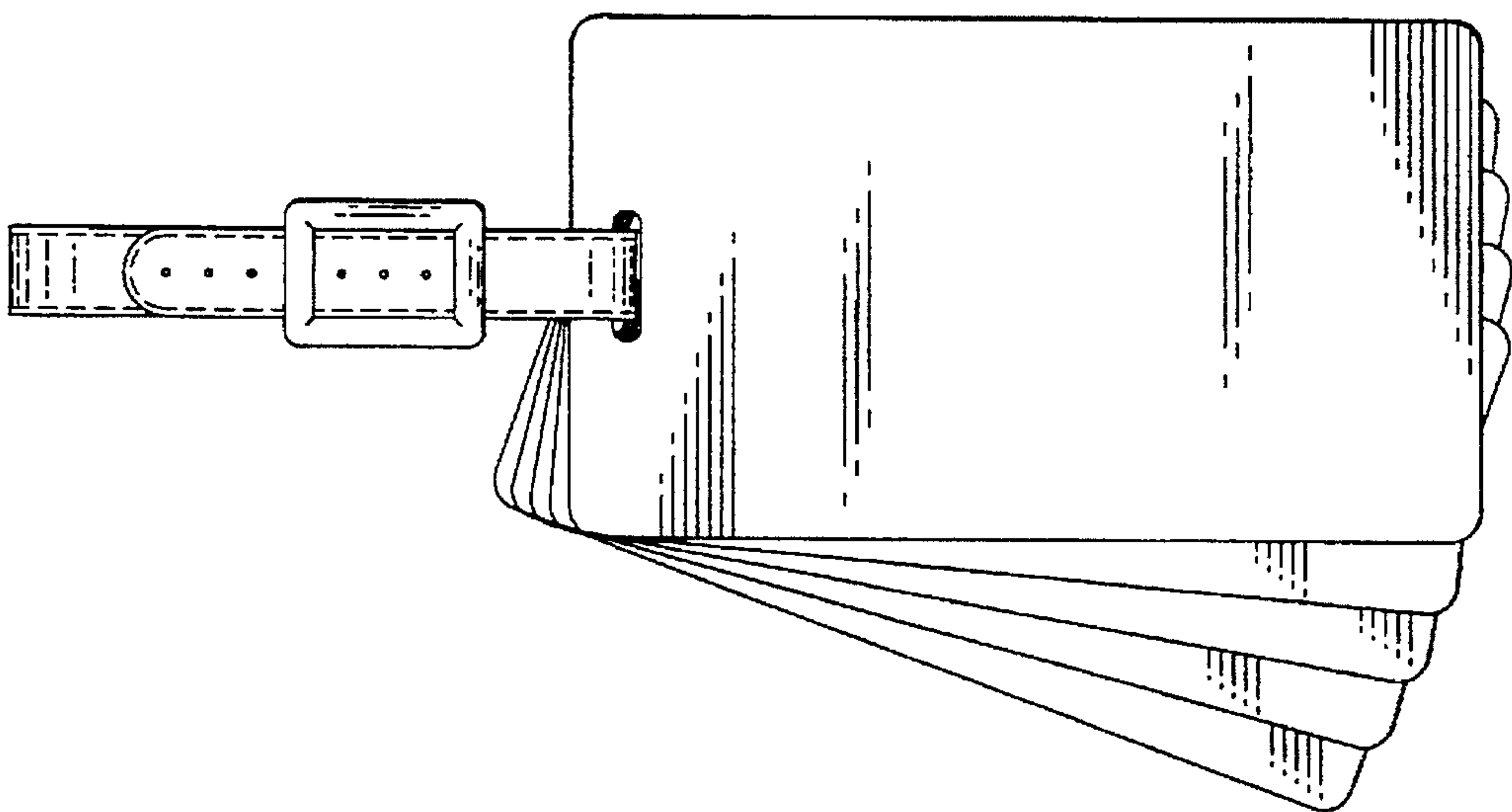


FIG. 6