



US00D38000S

# United States Patent [19]

Nakada et al.

[11] Patent Number: **Des. 380,000**

[45] Date of Patent: **\*\*Jun. 17, 1997**

[54] **COMBINED CAMERA AND SUPPORT UNIT FOR COMPUTER APPLICATIONS**

[75] Inventors: **Kazuo Nakada; Kazuhiko Yamazaki**, both of Kanagawa-ken, Japan; **Tristan Alfonso Merino**, Austin, Tex.; **Richard F. Sapper**, Milan, Italy

[73] Assignee: **International Business Machines Corporation**, Armonk, N.Y.

[\*\*] Term: **14 Years**

[21] Appl. No.: **35,840**

[22] Filed: **Mar. 7, 1995**

[30] **Foreign Application Priority Data**

Sep. 7, 1994 [JP] Japan ..... 6-27153

[51] LOC (6) Cl. .... **16-01**

[52] U.S. Cl. .... **D16/202; D16/208**

[58] Field of Search ..... D6/300, 314-317, D6/413, 420; D16/200-205; 348/14, 15, 373-376; 248/177.1, 465; 354/81, 293; 358/906, 909.1

[56] **References Cited**

**U.S. PATENT DOCUMENTS**

- D. 287,914 1/1987 Woolf ..... D6/419
- D. 340,940 11/1993 Ellenberger et al. .... D16/242

- D. 355,205 2/1995 Yokoi ..... D16/202
- D. 355,920 2/1995 Shinano ..... D16/202
- D. 359,499 6/1995 Gower et al. .... D16/202
- 5,012,348 4/1991 Witzel et al. .... 354/293

*Primary Examiner*—Philip S. Hyder  
*Assistant Examiner*—Adir Aronovich  
*Attorney, Agent, or Firm*—Paul S. Drake; Volel Emile

[57] **CLAIM**

The ornamental design for a combined camera and support unit for computer applications, as shown and described.

**DESCRIPTION**

FIG. 1 is a top, front and right side perspective view of a combined camera and support unit for computer applications with the support member in a fully assembled condition, showing our new design;

FIG. 2 is a reduced front elevational view with the support member in a folded condition;

FIG. 3 is a rear elevational view thereof;

FIG. 4 is a right side elevational view with the support member in a fully assembled condition;

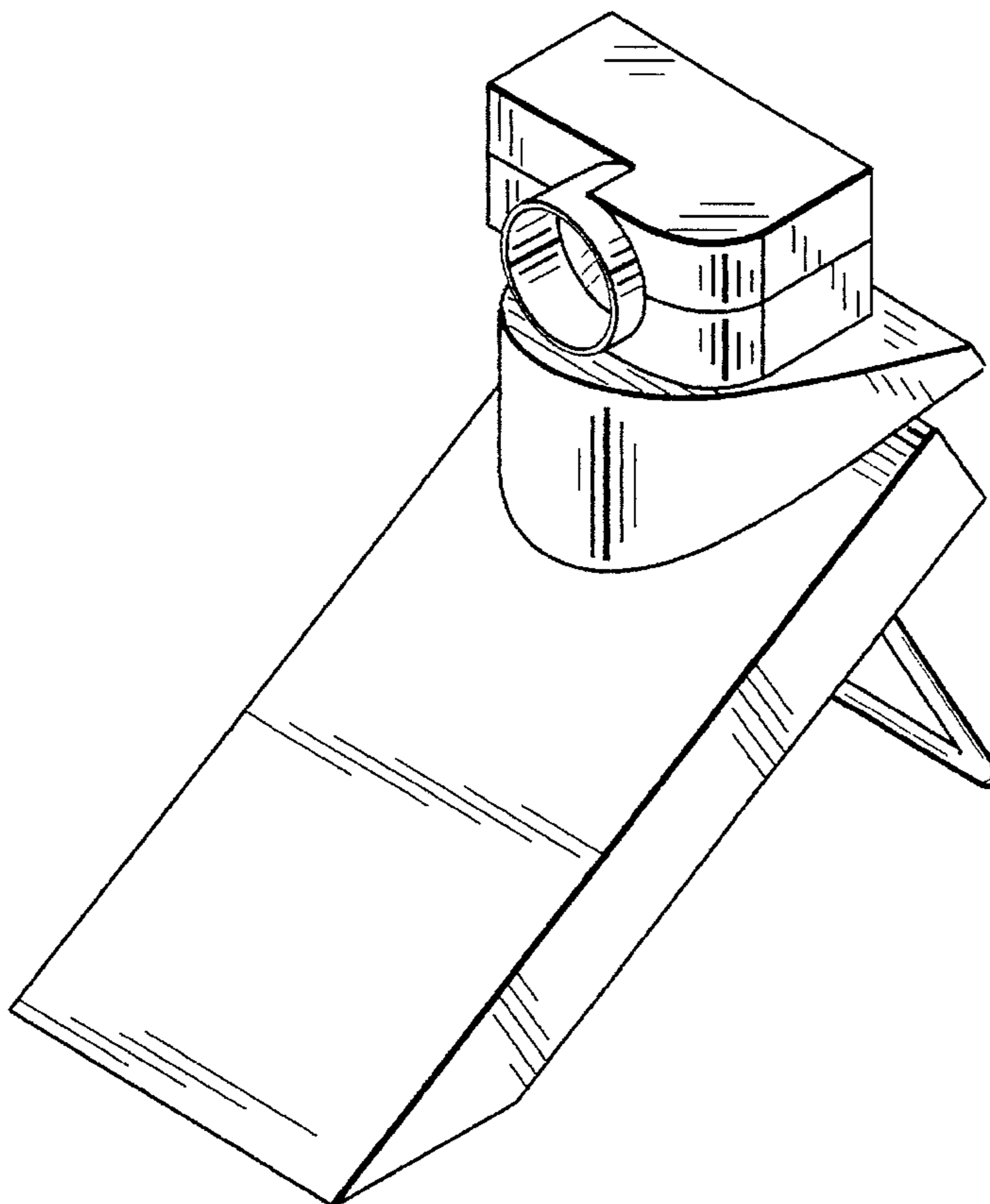
FIG. 5 is a top plan view, with the lens housing in an alternate position;

FIG. 6 is a bottom plan view with the support member in a folded condition;

FIG. 7 is a left side elevational view thereof; and,

FIG. 8 is a right side elevational view thereof.

**1 Claim, 4 Drawing Sheets**



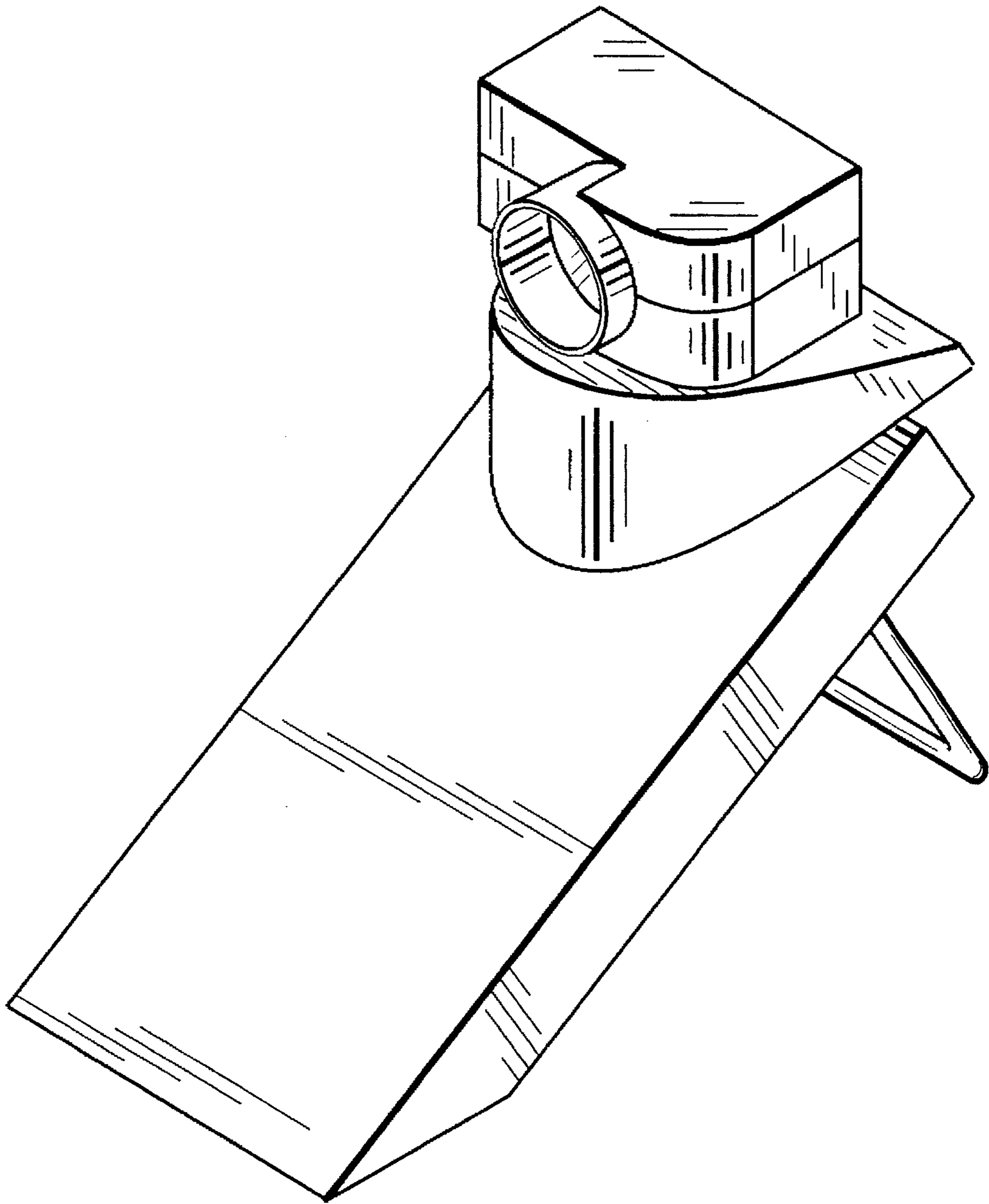


FIG. 1

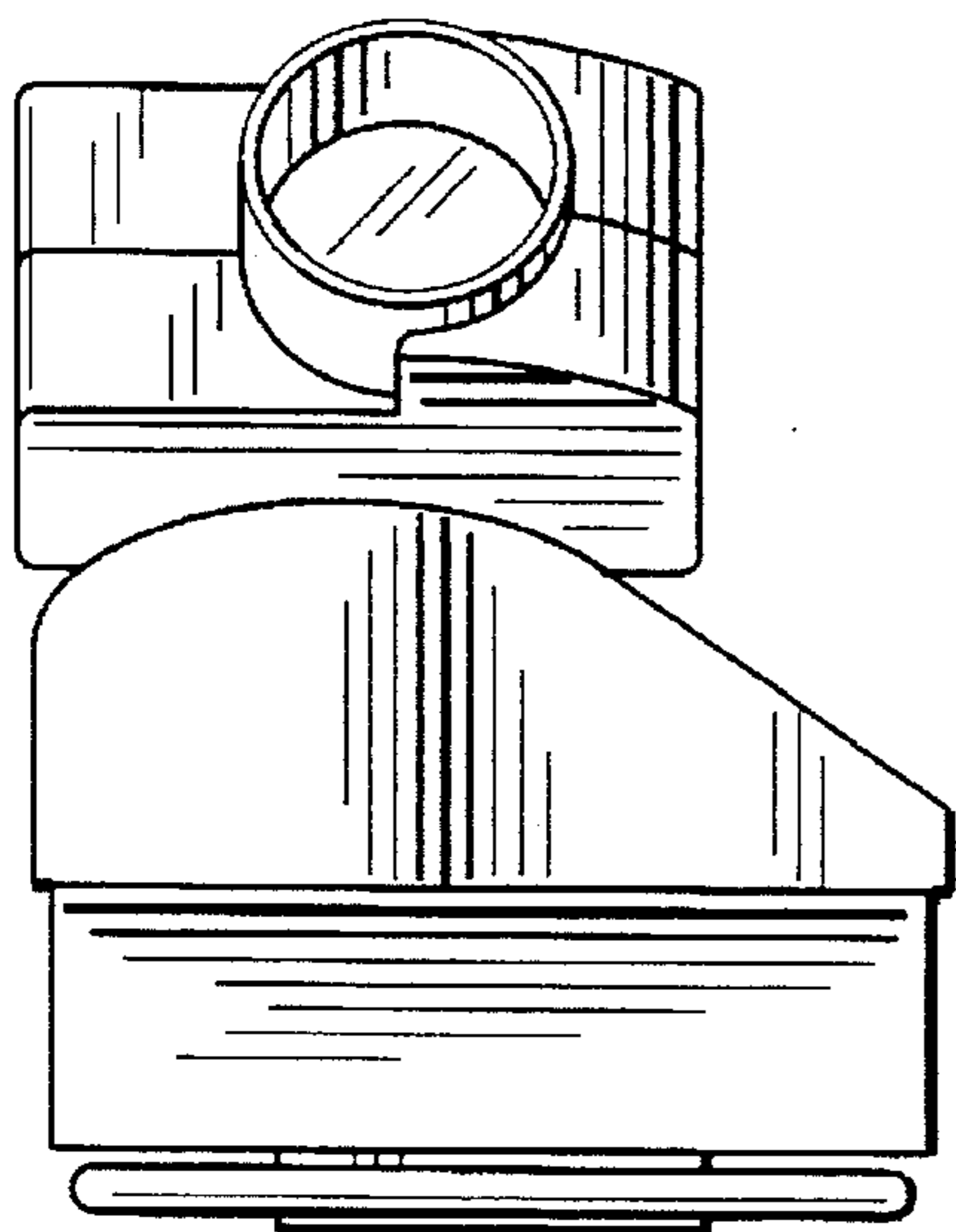


FIG. 2

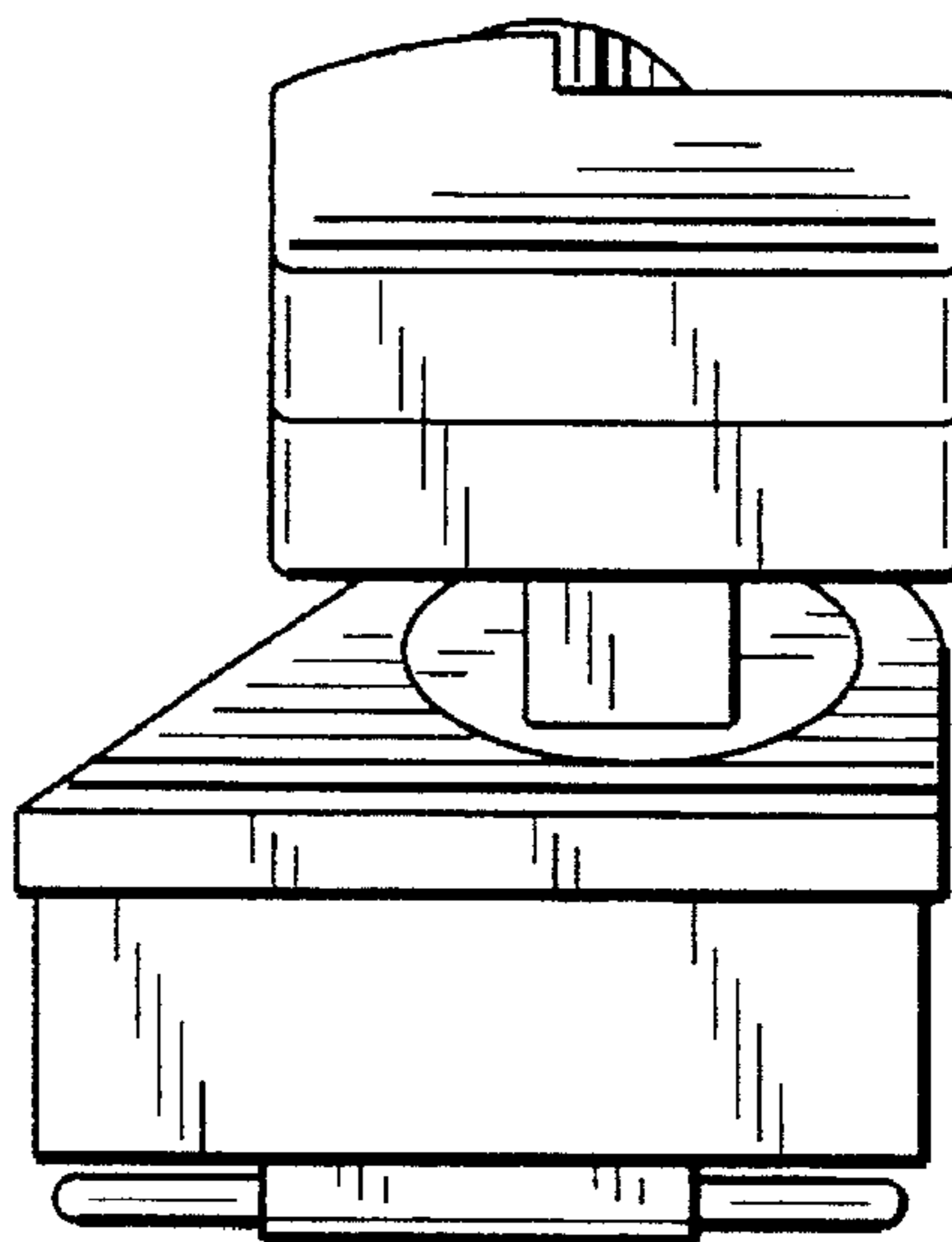


FIG. 3

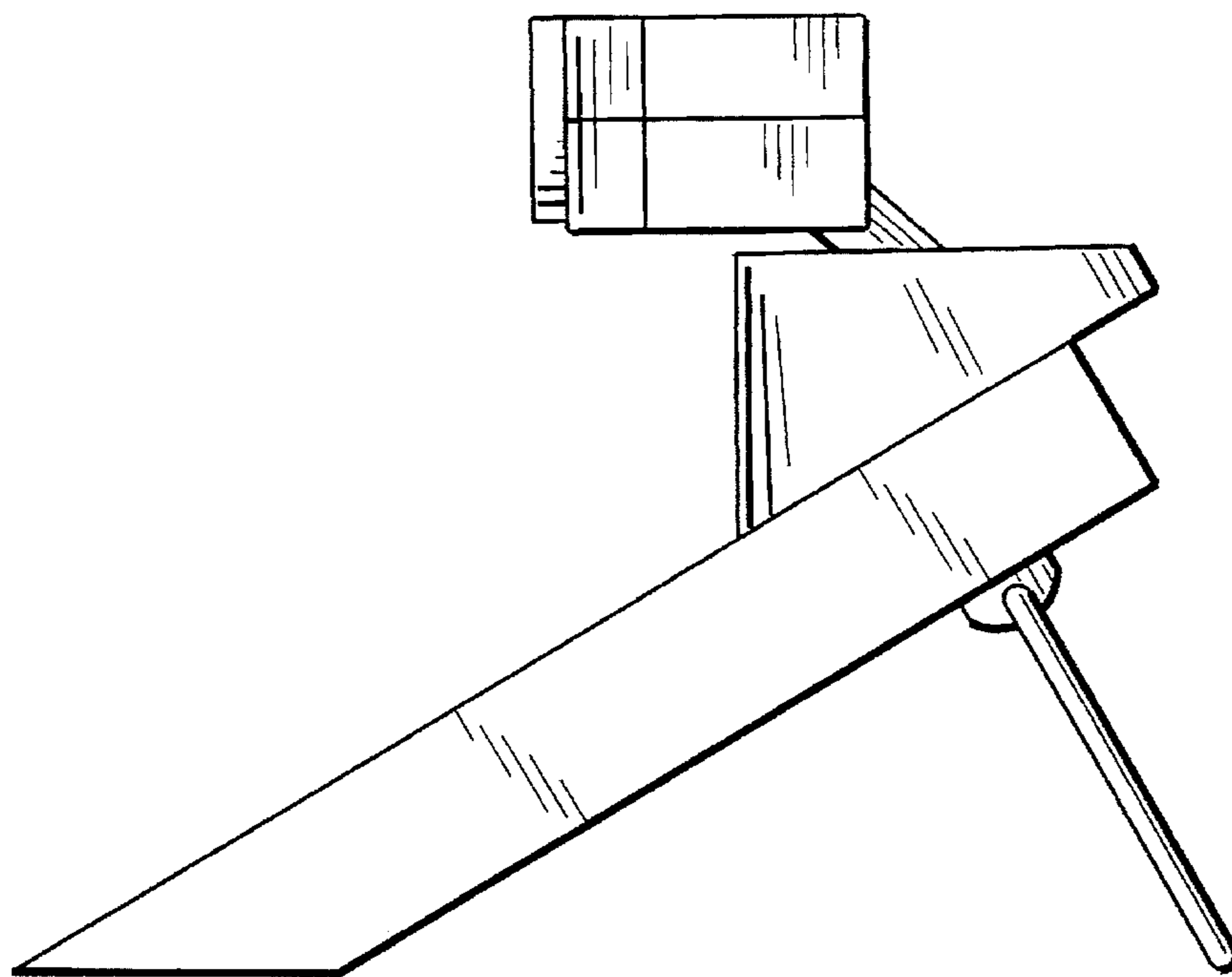


FIG. 4

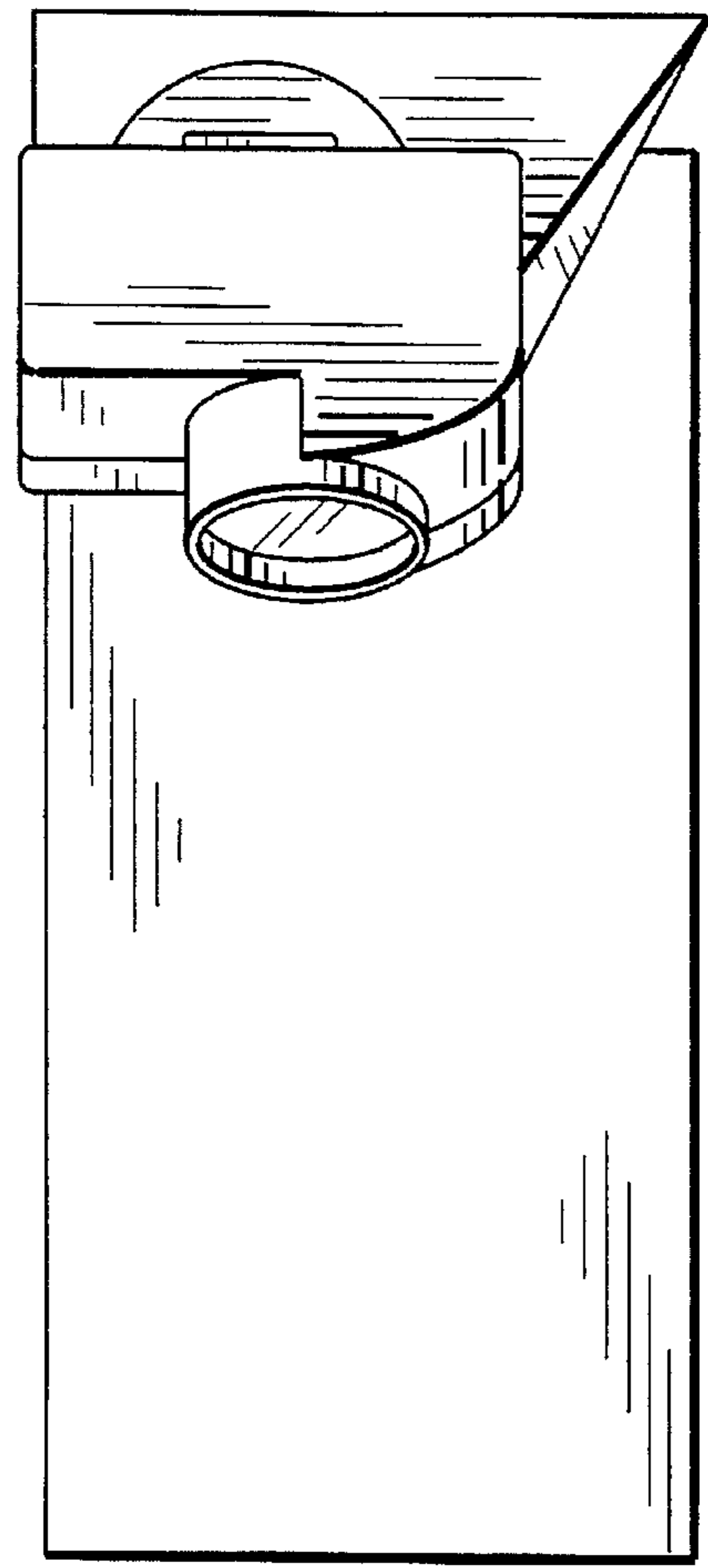


FIG. 5

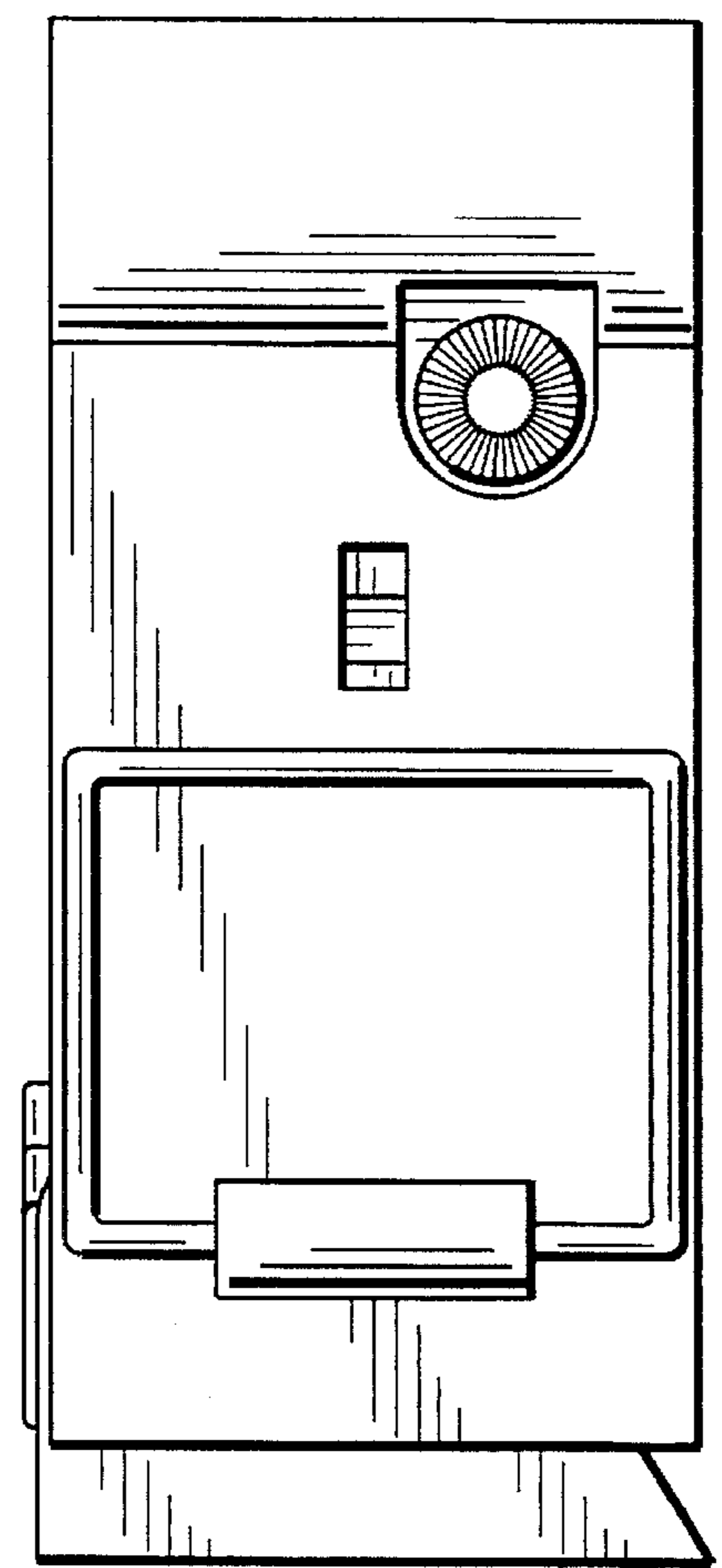


FIG. 6

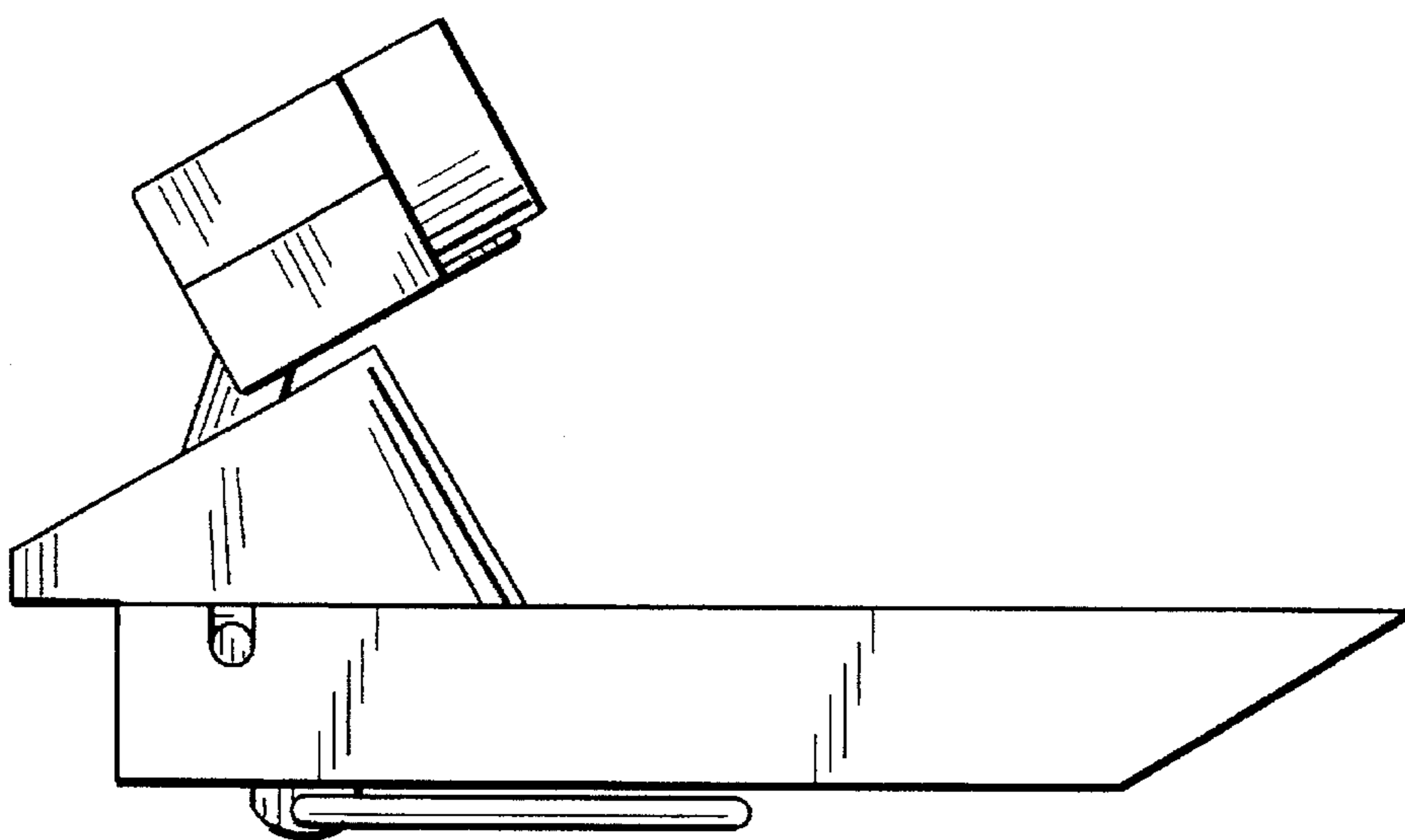


FIG. 7

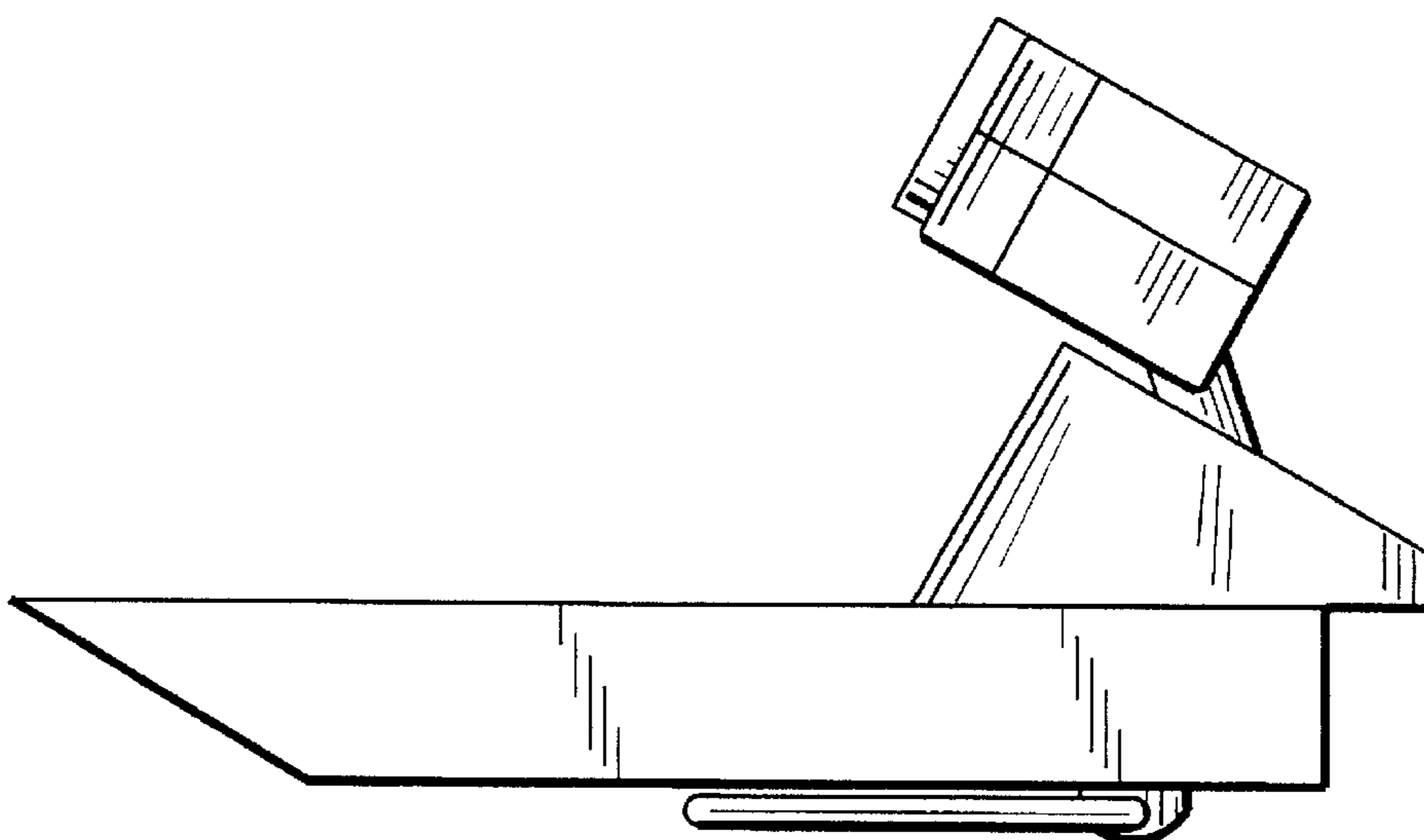


FIG. 8