



US00D379999S

# United States Patent [19]

[11] Patent Number: **Des. 379,999**

**Benson**

[45] Date of Patent: **\*\*Jun. 17, 1997**

[54] **BEARING CARRIER**

*Primary Examiner*—Antoine Duval Davis  
*Attorney, Agent, or Firm*—M. Reid Russell

[76] Inventor: **Steven R. Benson**, 5919 S. 350 West,  
P.O. Box 57547, Murray, Utah 84157

[57] **CLAIM**

[\*\*] Term: **14 Years**

The ornamental design for a bearing carrier, as shown and described.

[21] Appl. No.: **54,370**

**DESCRIPTION**

[22] Filed: **May 13, 1996**

FIG. 1 is a top perspective view of a bearing carrier showing my new design;

[51] LOC (6) Cl. .... **15-09**

FIG. 2 is a bottom perspective view thereof;

[52] U.S. Cl. .... **D15/143**

FIG. 3 is a top plan view thereof;

[58] Field of Search ..... D15/143; 192/98,  
192/110 B, 99 S, 111.4; 384/425, 584,  
536, 617, 398

FIG. 4 is a bottom plan view thereof;

FIG. 5 is a front elevation view thereof;

FIG. 6 is a rear elevation view thereof;

FIG. 7 is a right side elevation view thereof; and,

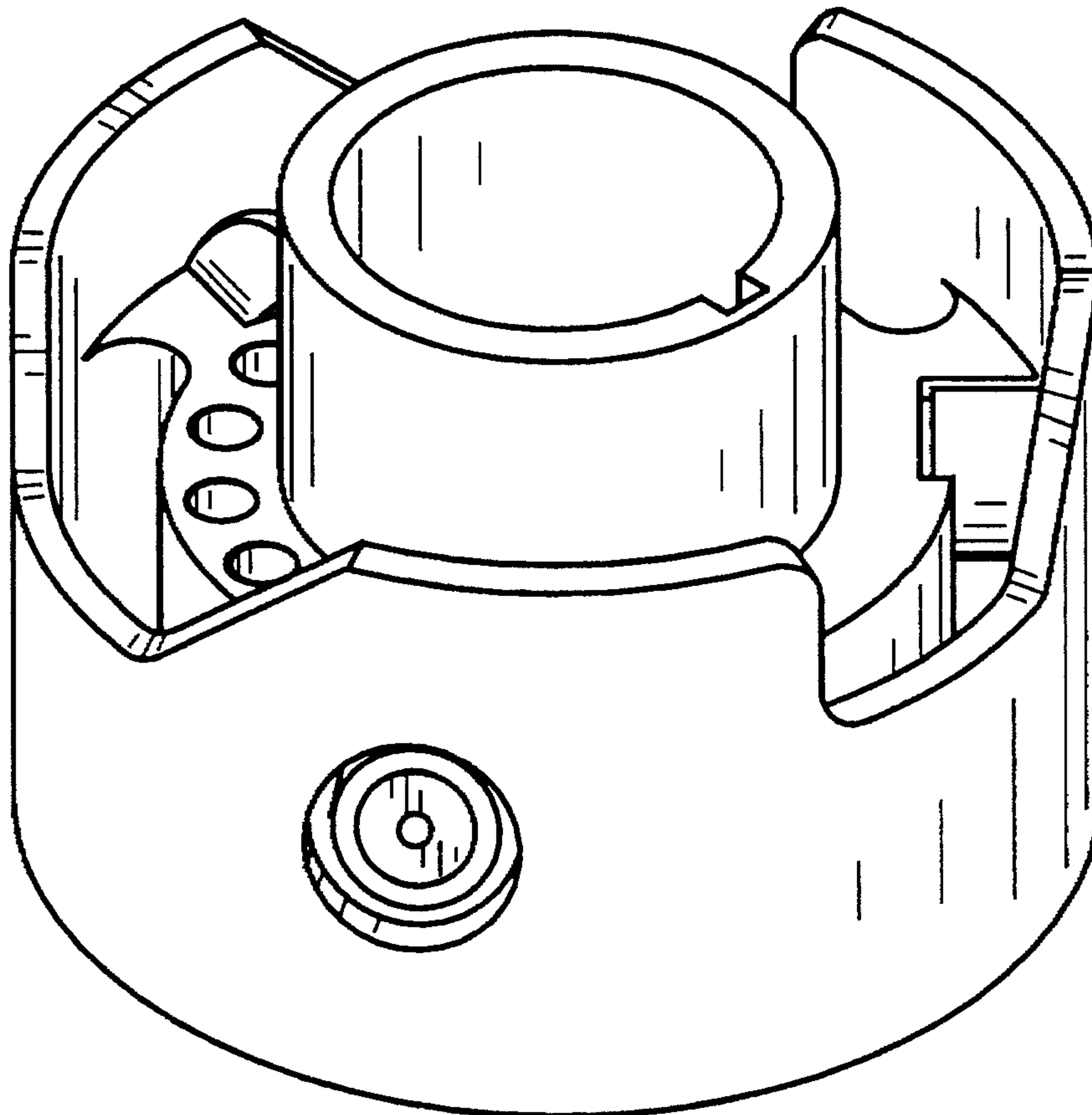
FIG. 8 is a left side view thereof.

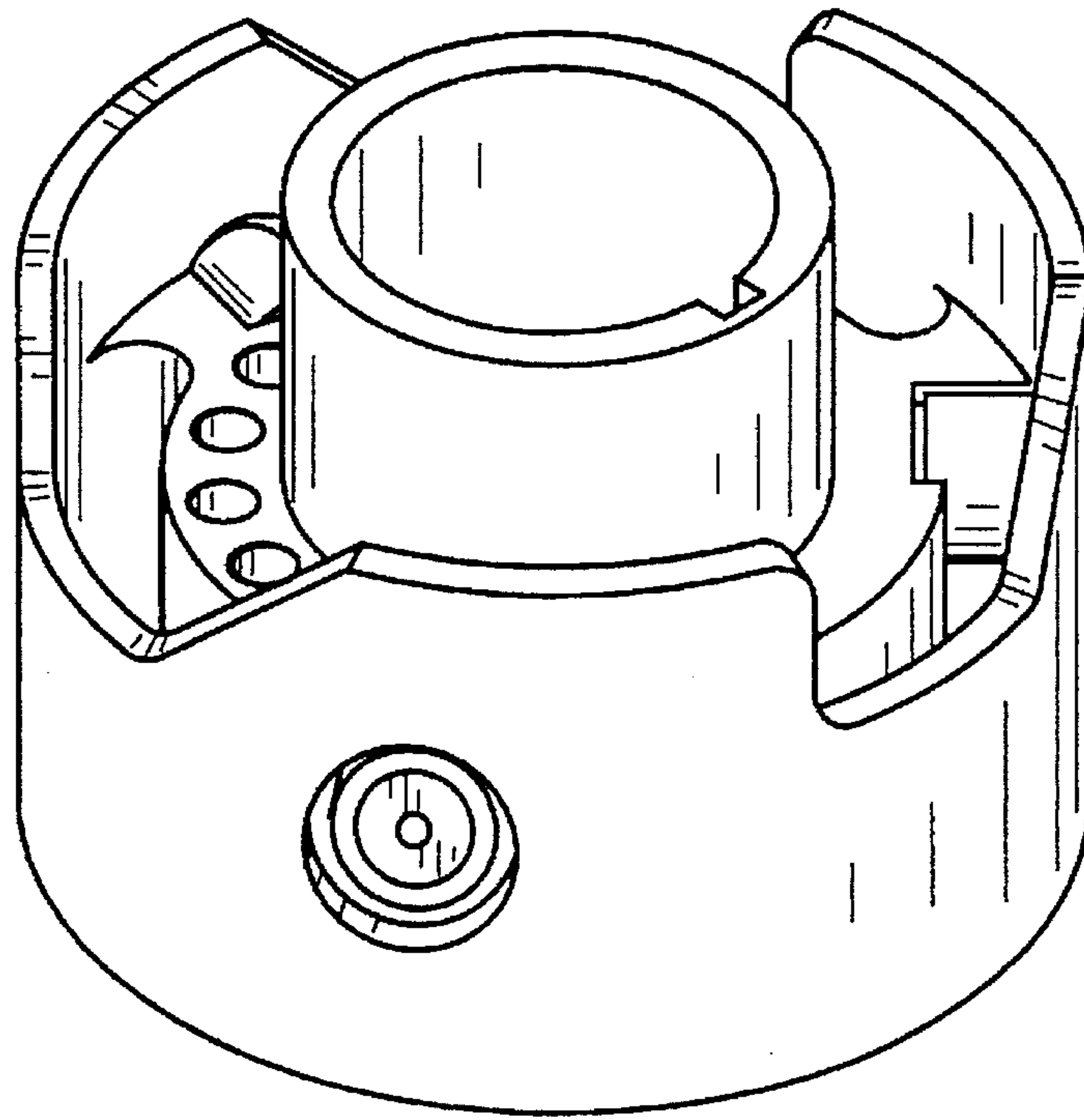
[56] **References Cited**

**U.S. PATENT DOCUMENTS**

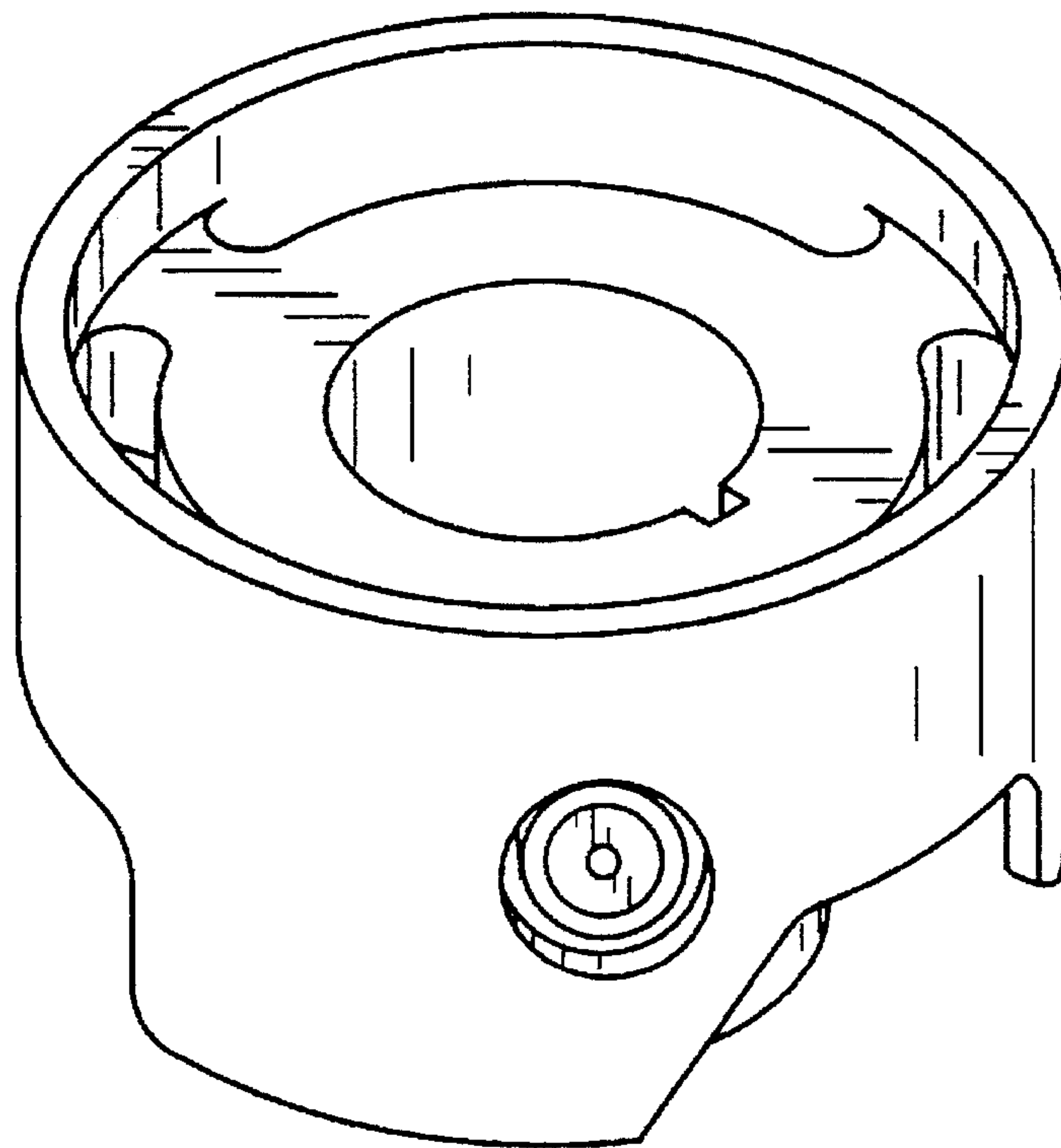
5,423,614 6/1995 Wunner et al. .... 384/428

**1 Claim, 4 Drawing Sheets**

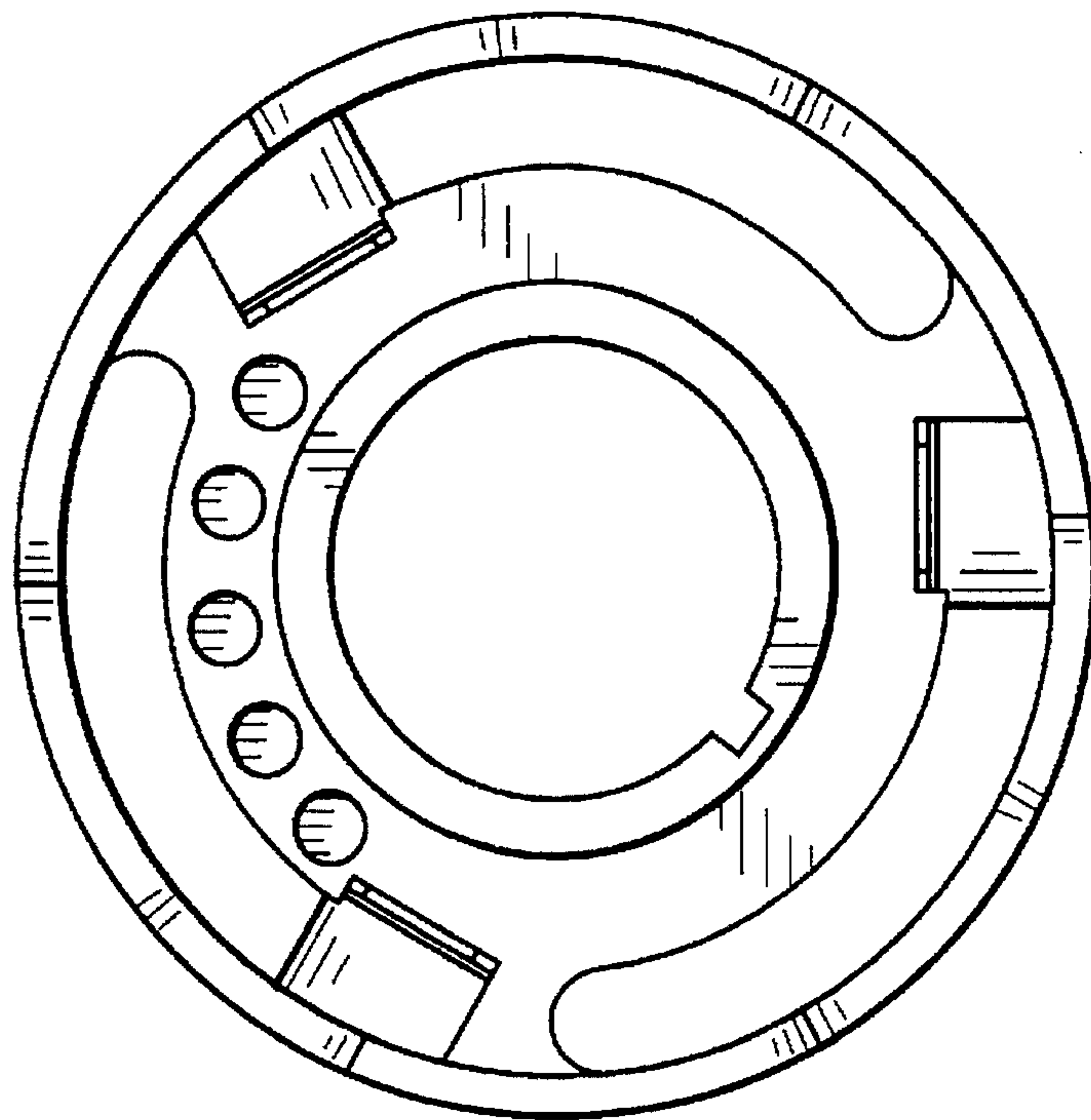




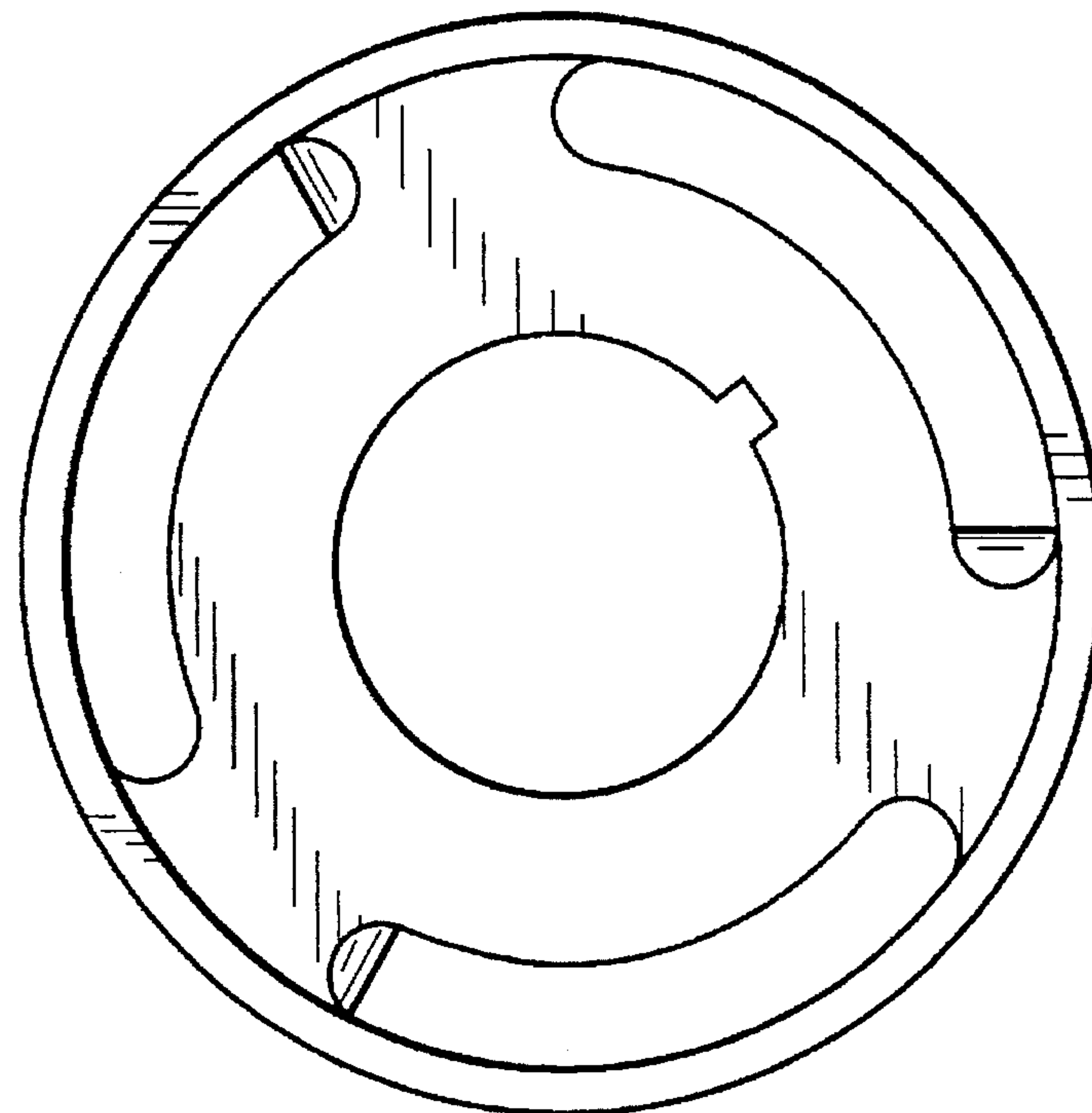
**Fig. 1**



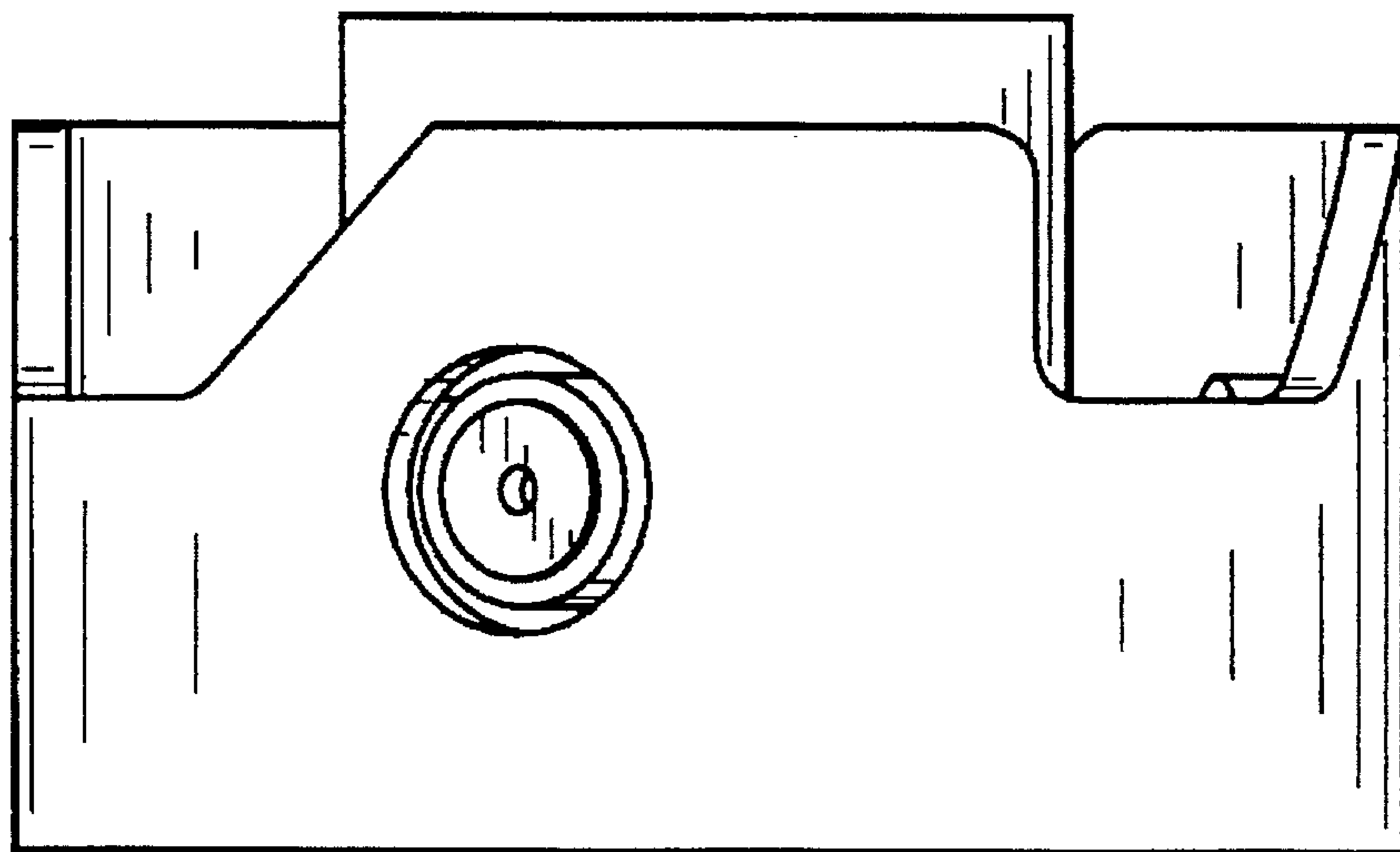
**Fig. 2**



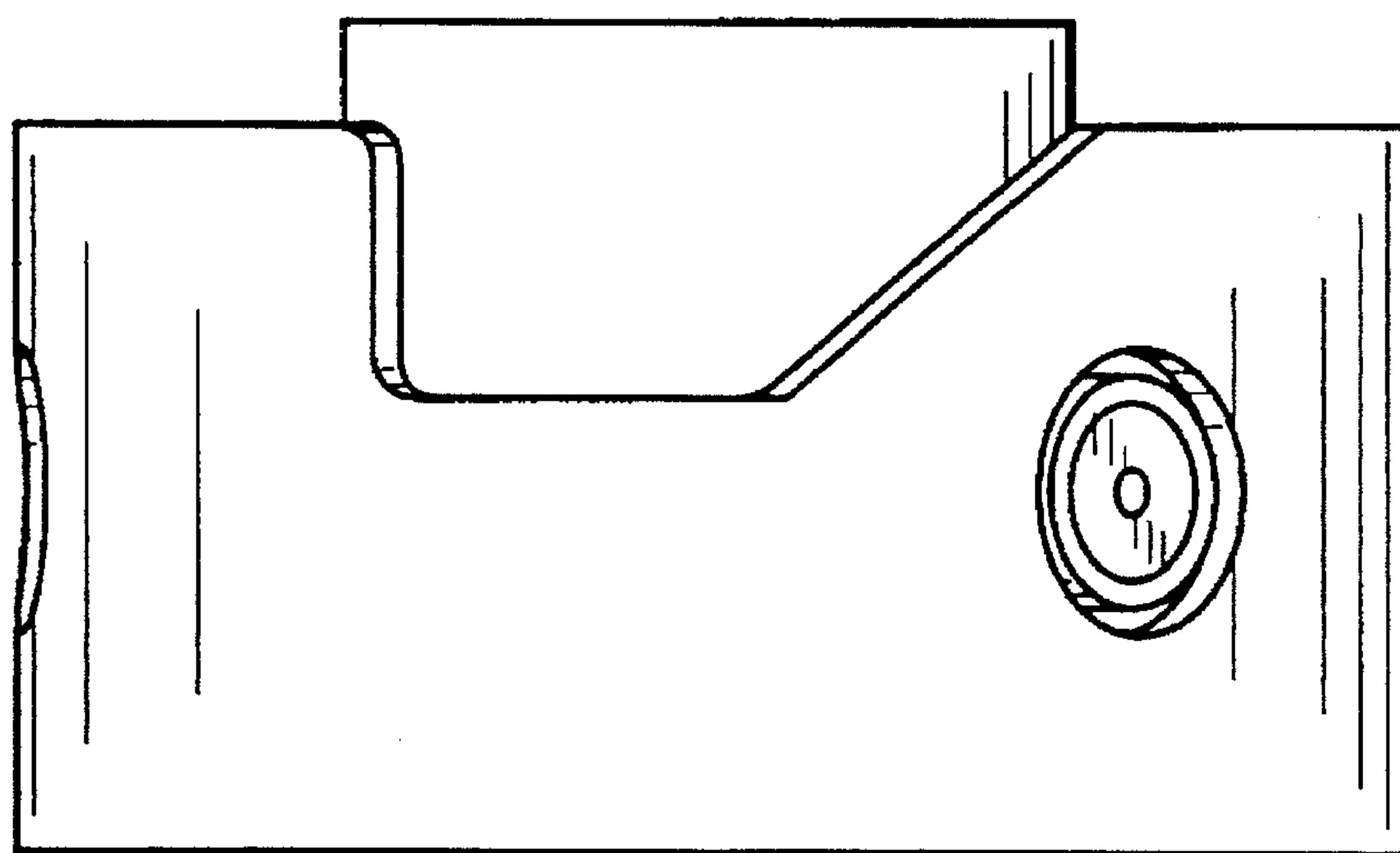
**Fig. 3**



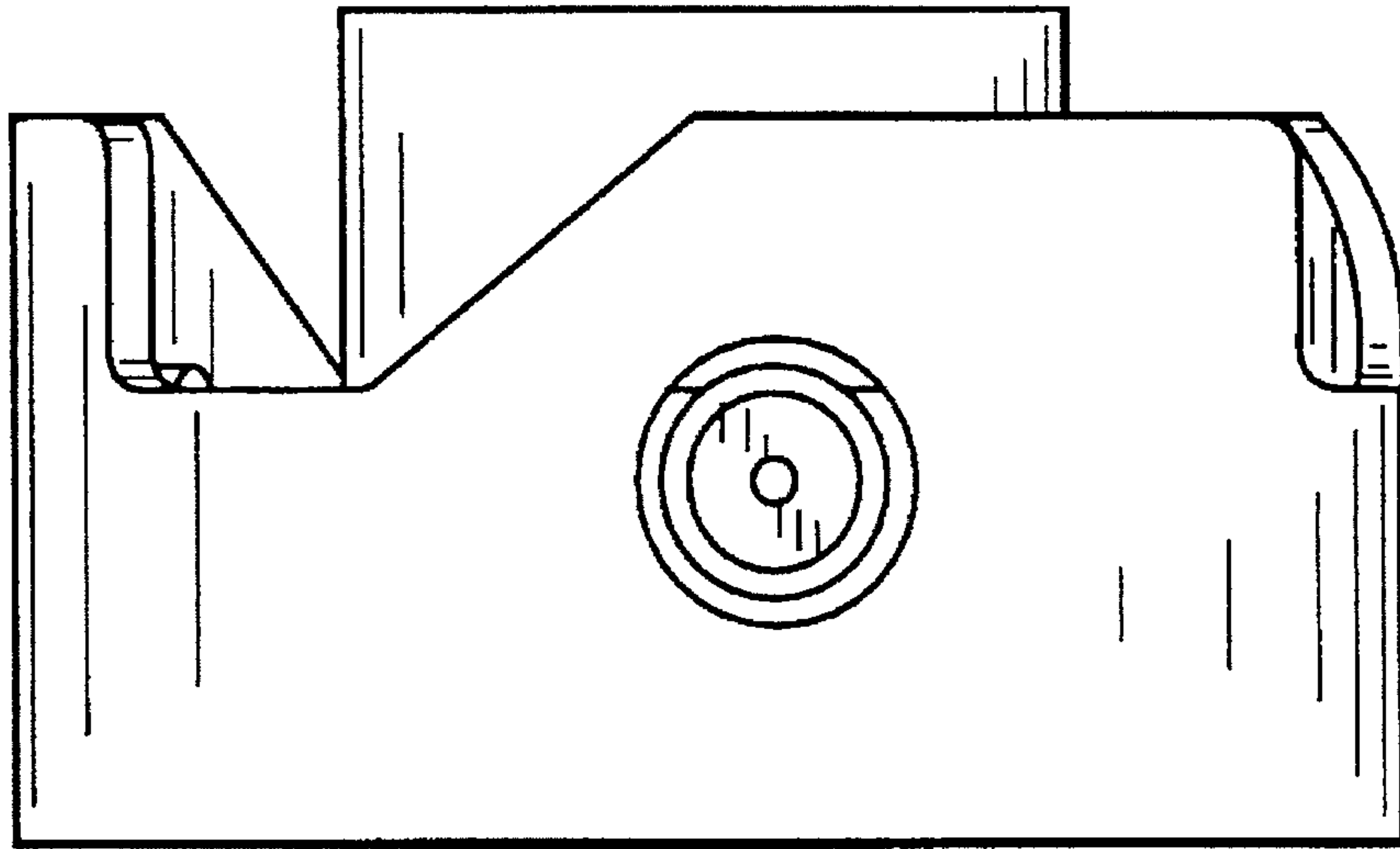
**Fig. 4**



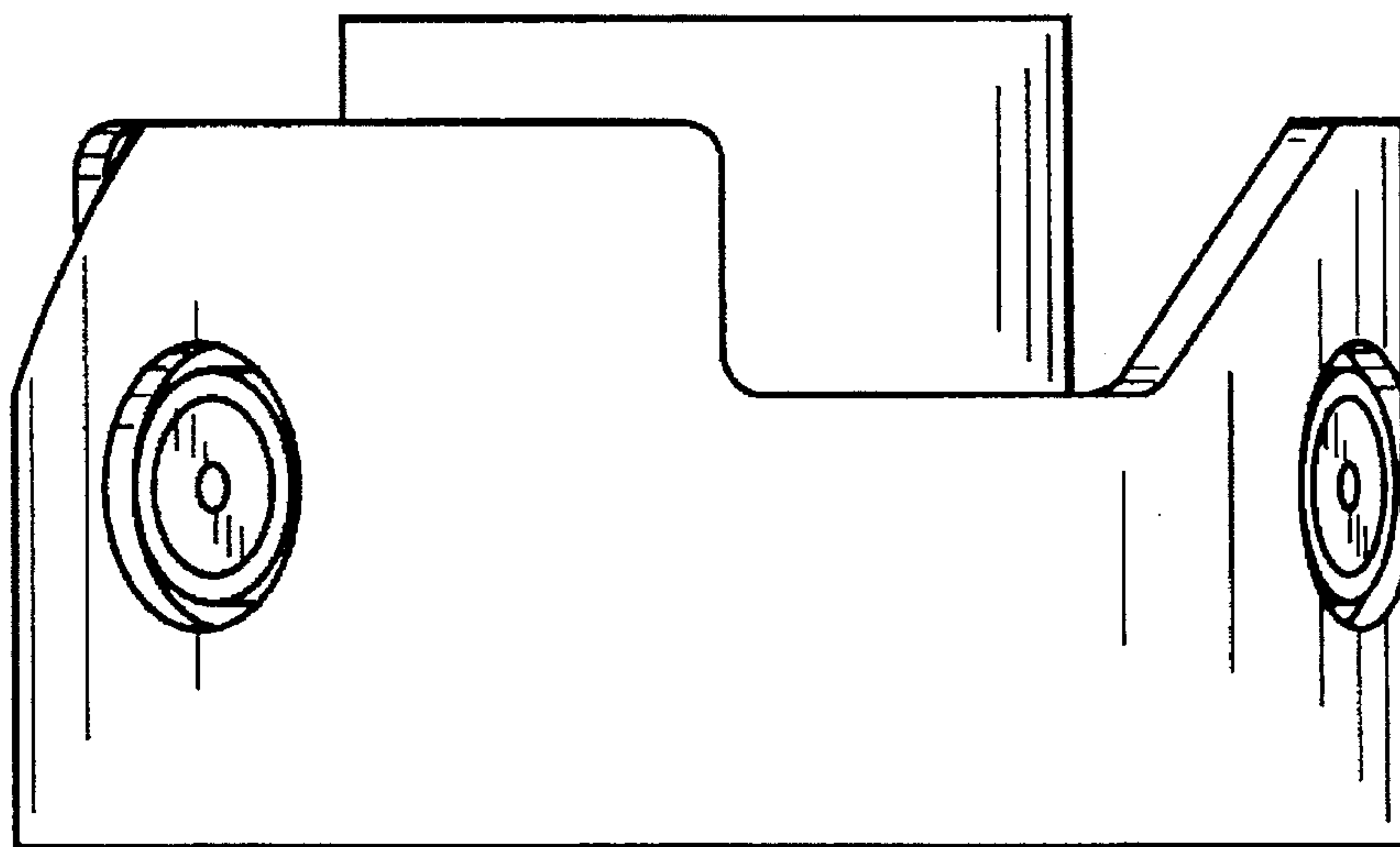
**Fig. 5**



**Fig. 6**



**Fig. 7**



**Fig. 8**