



US00D379997S

United States Patent [19] Bailey

[11] Patent Number: **Des. 379,997**
[45] Date of Patent: ****Jun. 17, 1997**

[54] **TRACTOR MOUNTED DEVICE FOR LIFTING AN UNROLLING HAY BALES**

4,329,103	5/1982	Miller	414/24.5
4,674,786	6/1987	Lynch	414/24.5
4,674,933	6/1987	Brown	414/685
4,911,596	3/1990	Fetter	414/721

[76] Inventor: **Fred S. Bailey**, P.O. Box 12, Wadley, Ala. 36276

Primary Examiner—Sandra L. Morris
Attorney, Agent, or Firm—Veal & Associates

[**] Term: **14 Years**

[21] Appl. No.: **53,652**

[57] **CLAIM**

[22] Filed: **Apr. 29, 1996**

The ornamental design for the tractor mounted device for lifting and unrolling hay bales, as shown and described.

[51] LOC (6) Cl. **15-03**

DESCRIPTION

[52] U.S. Cl. **D15/32**

[58] Field of Search D15/10-12, 28, D15/32; 53/211, 587, 588; 56/343; 414/245, 685, 721, 722, 724

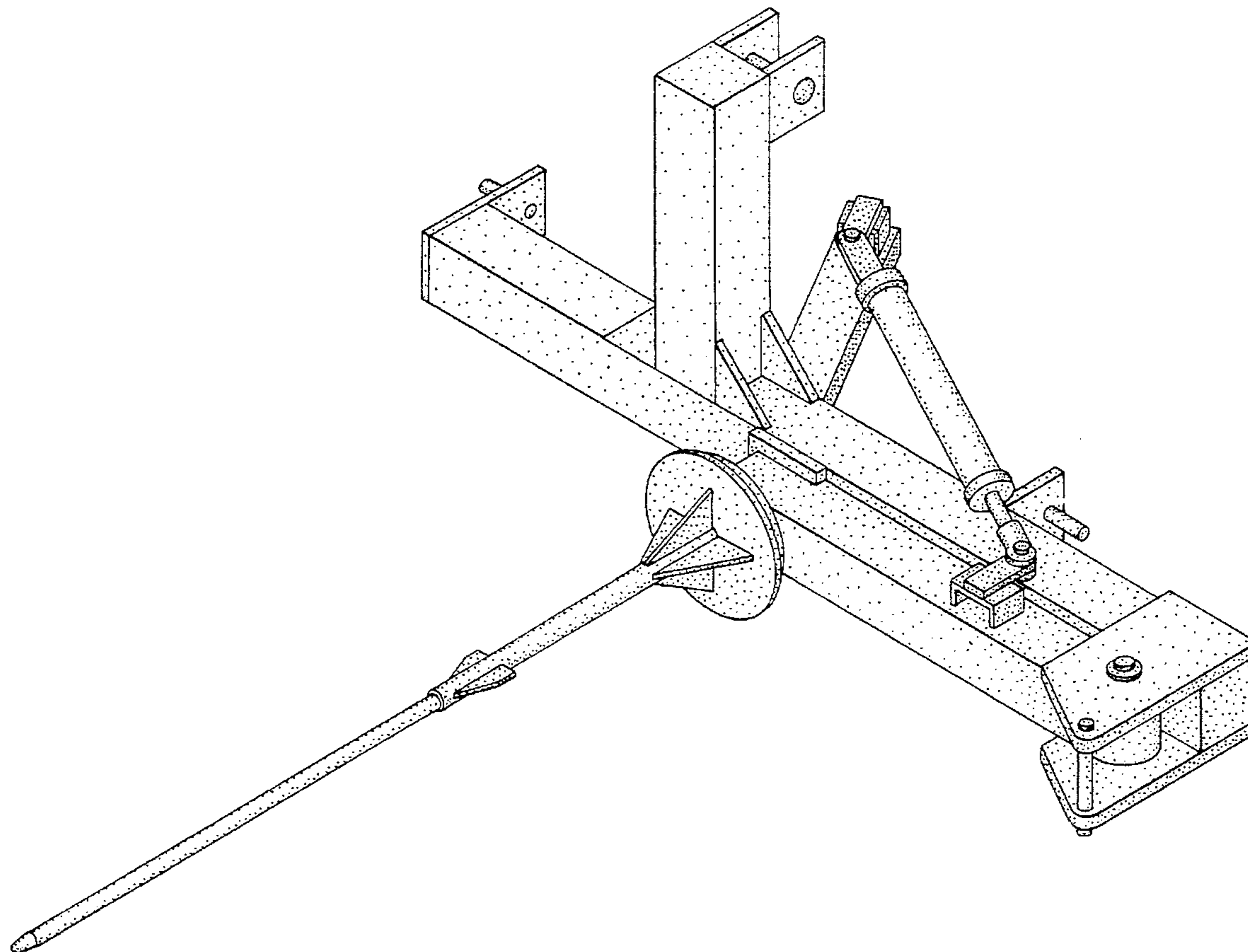
FIG. 1 is a perspective view of a tractor mounted device for lifting and unrolling hay bales showing my new design; FIG. 2 is a top plan view thereof; FIG. 3 is a rear elevational view thereof; FIG. 4 is a front elevational view thereof; FIG. 5 is a side elevational view as seen from the left side of FIG. 2; and, FIG. 6 is a side elevational view as seen from the right side of FIG. 2.

[56] **References Cited**

U.S. PATENT DOCUMENTS

D. 243,326	2/1977	Vandewater	D15/28
D. 292,136	9/1987	Burenga	D15/32
D. 370,684	6/1996	Johnson	D15/32
4,099,629	7/1978	Cox	414/721
4,120,405	10/1978	Jones et al.	414/721

1 Claim, 4 Drawing Sheets



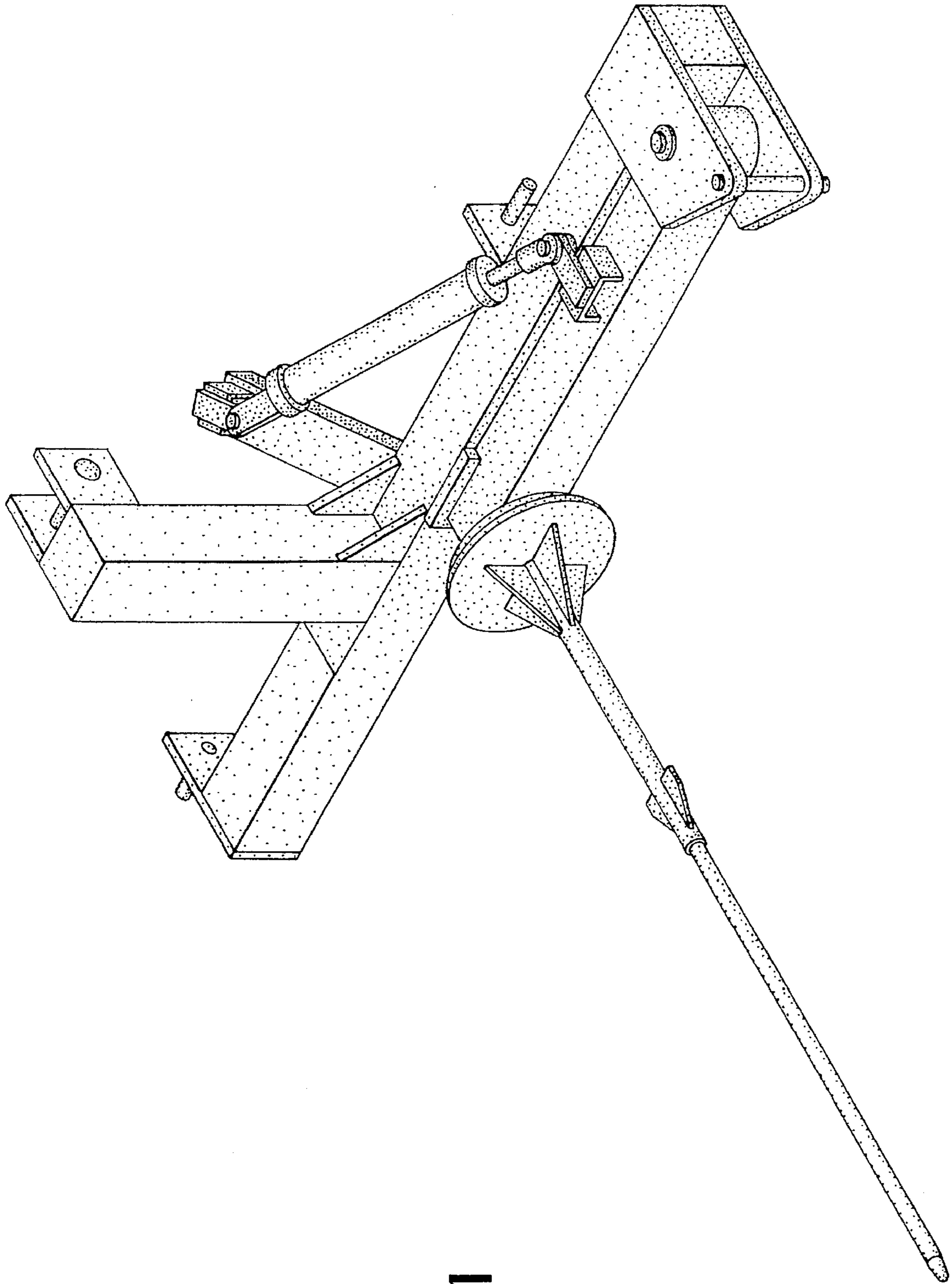


FIG. 1

FIG. 2

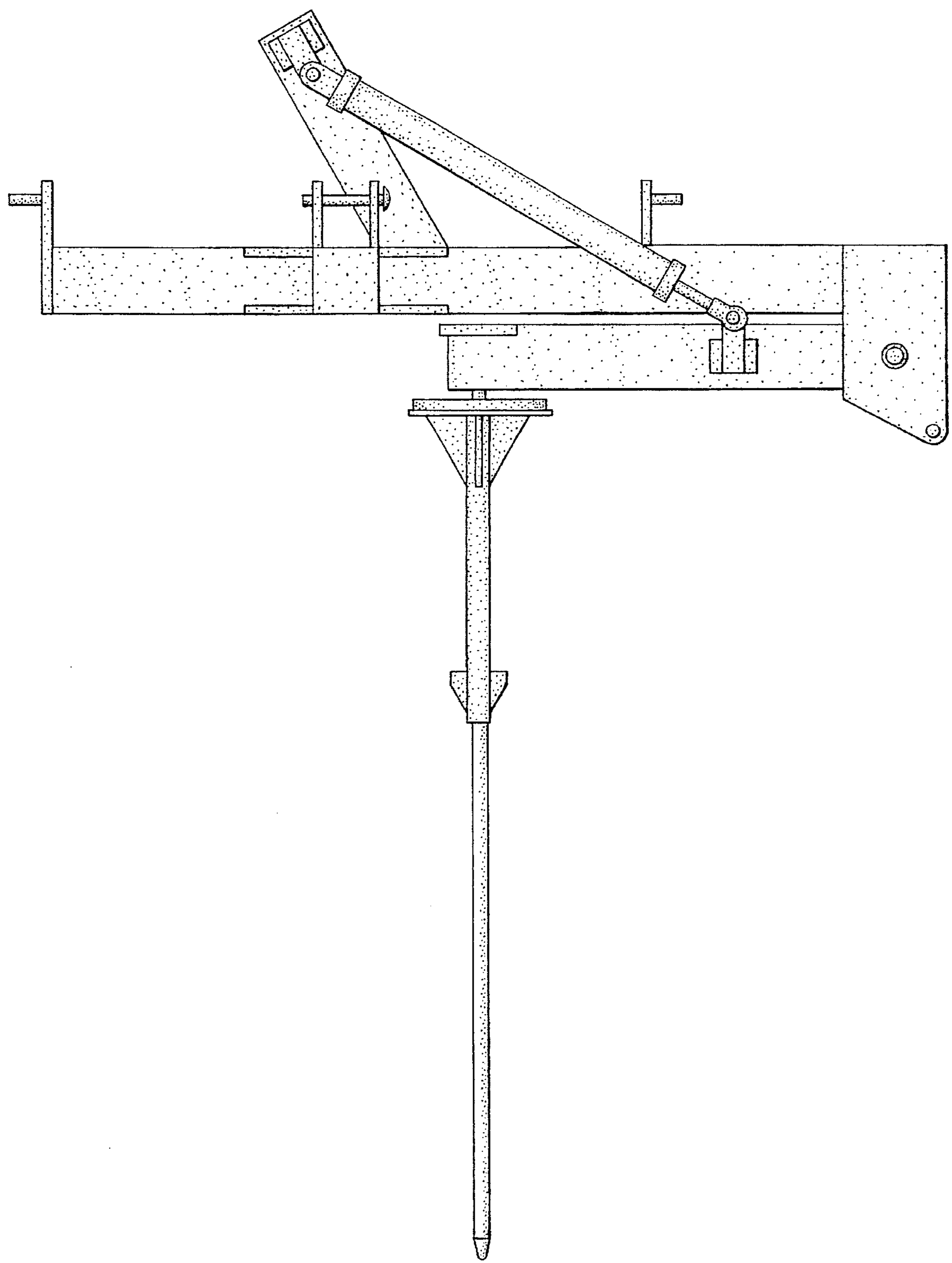


FIG. 3

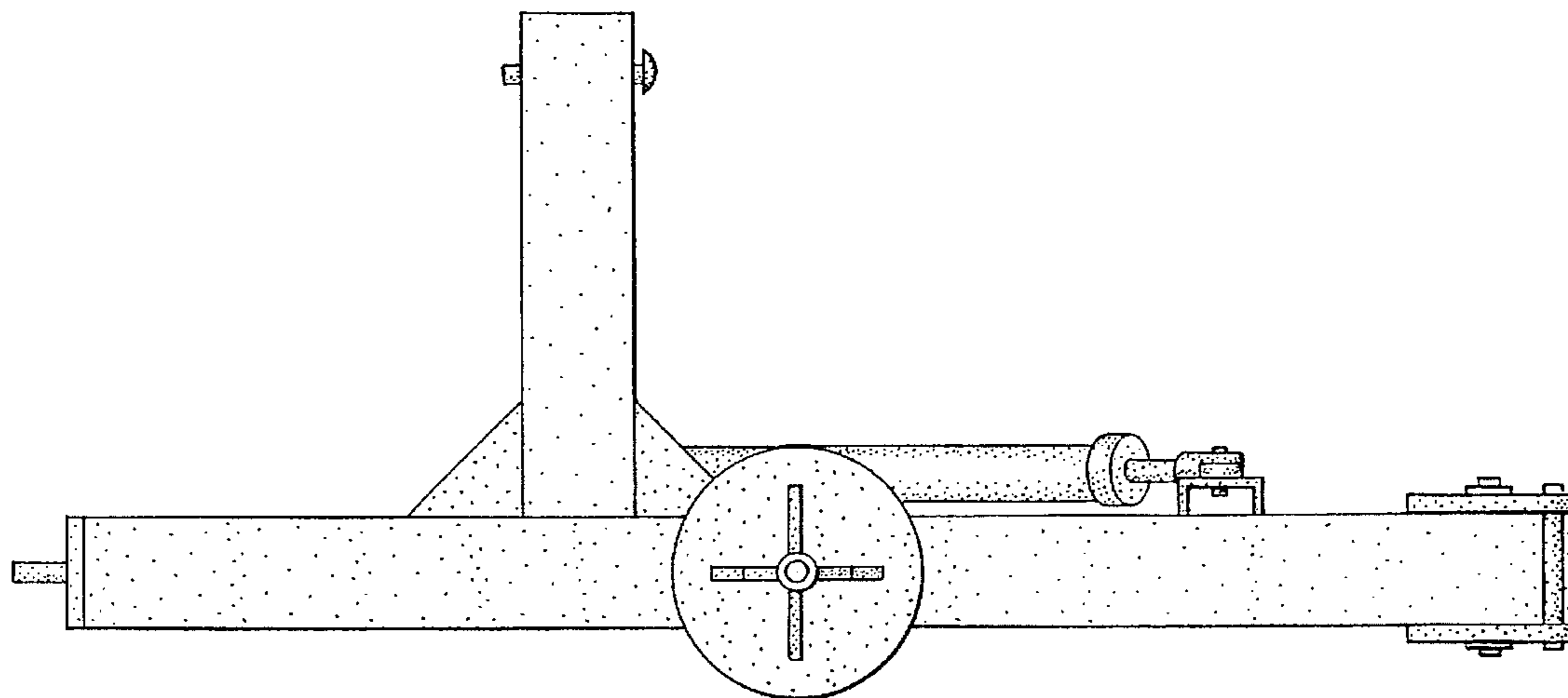


FIG. 4

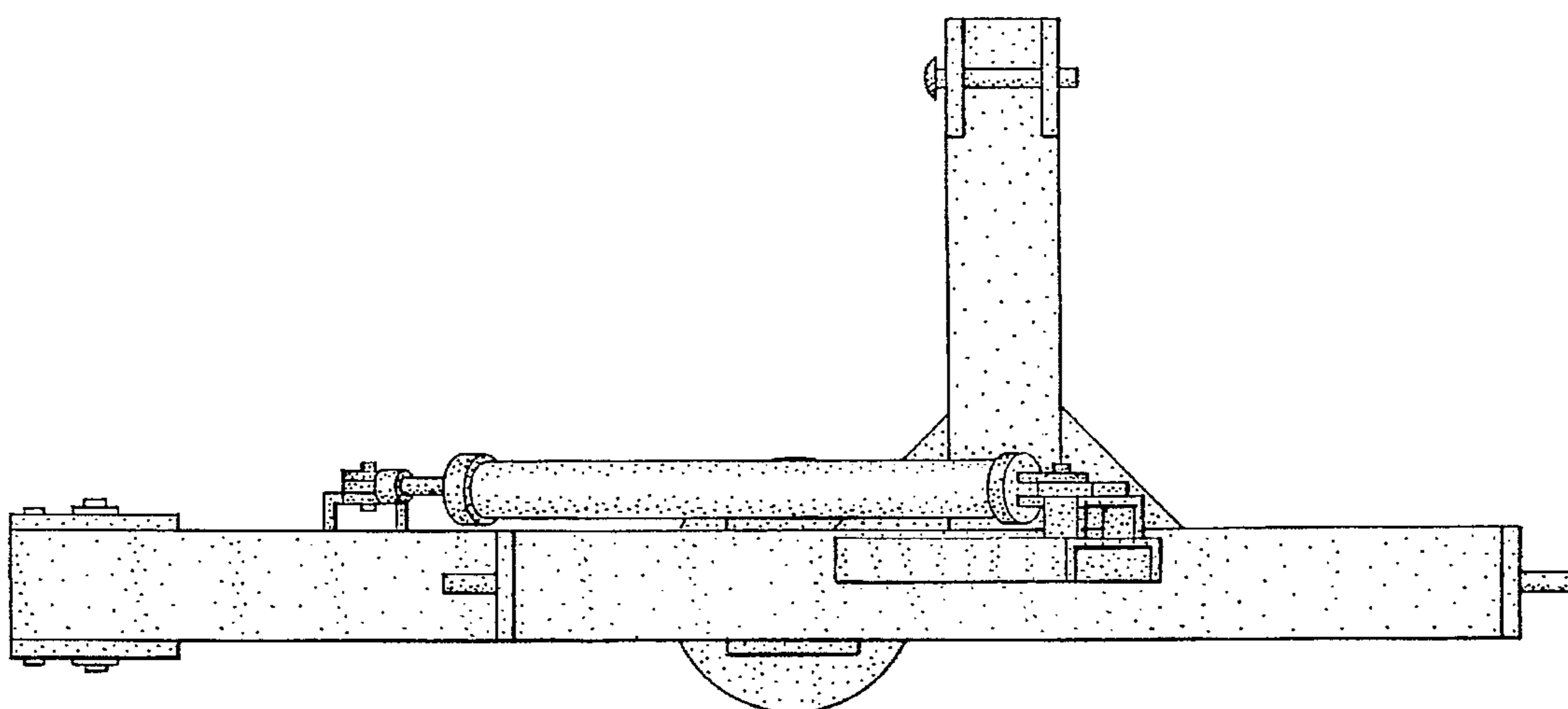


FIG. 5

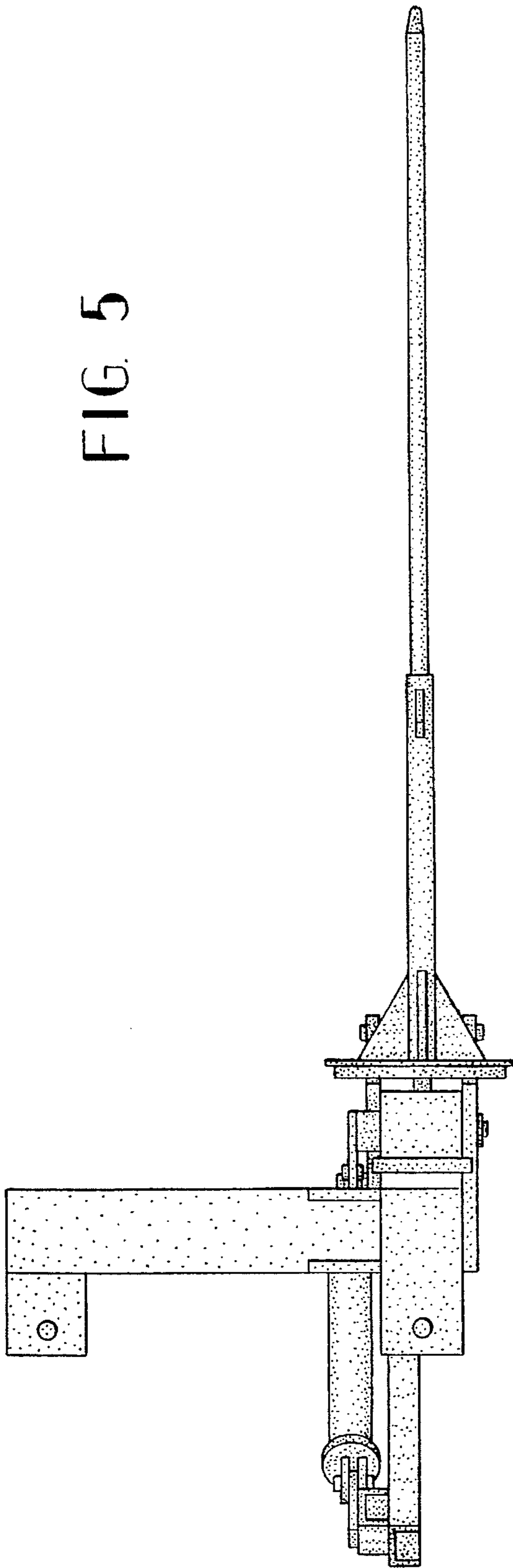


FIG. 6

