



US00D379995S

**United States Patent** [19]  
**Gilmore**

[11] **Patent Number: Des. 379,995**

[45] **Date of Patent: \*\*Jun. 17, 1997**

[54] **COMBINED COVER AND FUEL TANK FOR AN ENGINE**

[75] **Inventor: David Gilmore, Greenwich, Australia**

[73] **Assignee: Sunbeam Corporation Ltd., Campsie, Australia**

[\*\*] **Term: 14 Years**

[21] **Appl. No.: 17,200**

[22] **Filed: Jan. 7, 1994**

[30] **Foreign Application Priority Data**

Jul. 13, 1993 [AU] Australia ..... 2117/93

[51] **LOC (6) Cl. .... 14-03**

[52] **U.S. Cl. .... D15/1**

[58] **Field of Search ..... D15/1-5; 123/50 A, 123/50 B, 50 R, 51 R, 51 A**

[56] **References Cited**

**U.S. PATENT DOCUMENTS**

D. 220,591 4/1971 Lange ..... D15/5

- D. 284,862 7/1986 Iida ..... D15/1
- D. 305,432 1/1990 Hashigaki ..... D15/1
- D. 307,147 4/1990 Sasaki et al. .... D15/1
- D. 330,897 11/1992 Carlson et al. .... D15/1
- D. 331,929 12/1992 Leaf et al. .... D15/1

*Primary Examiner*—Ralf Seifert  
*Attorney, Agent, or Firm*—Ladas & Parry

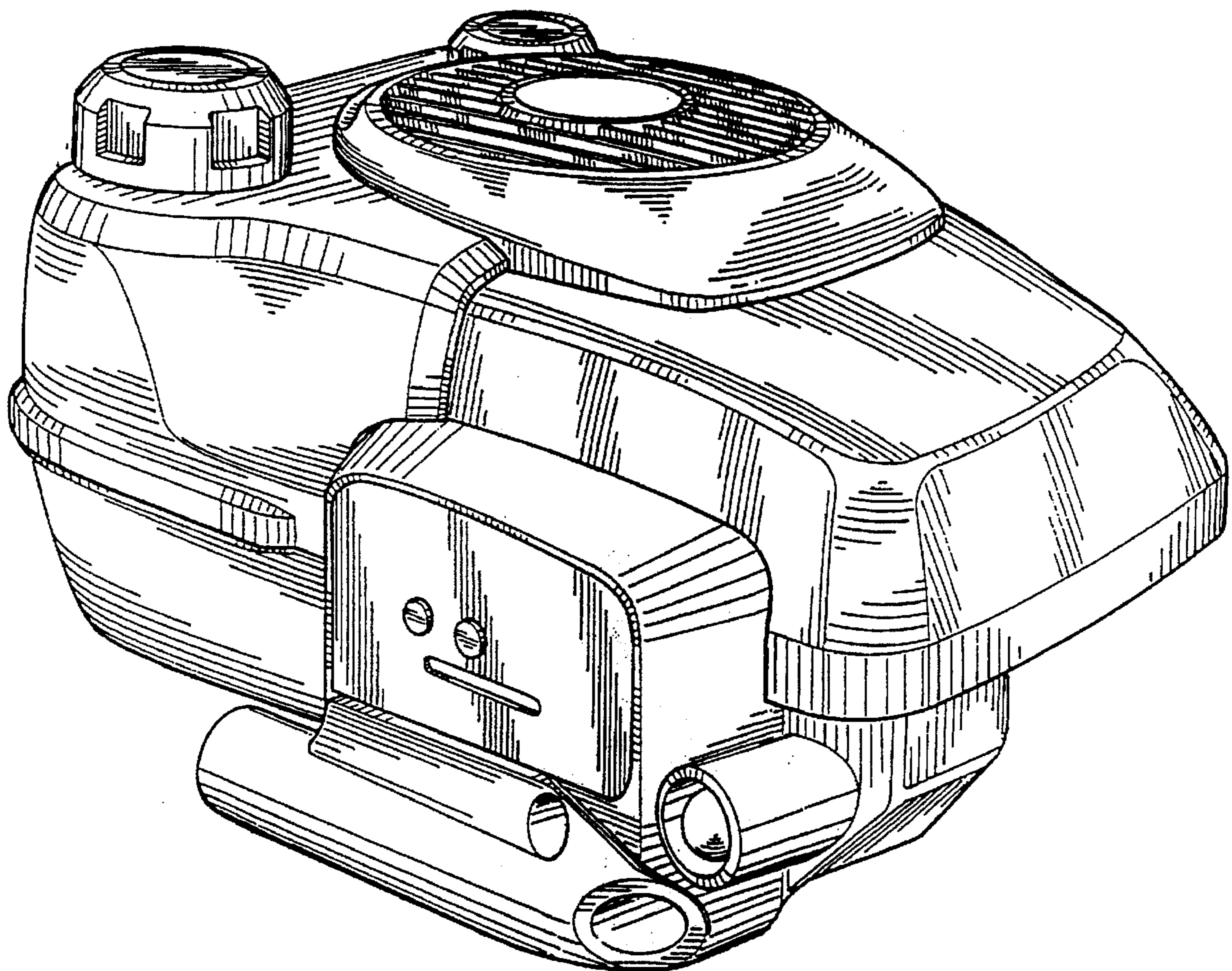
[57] **CLAIM**

The ornamental design for a combined cover and fuel tank for an engine, as shown and described.

**DESCRIPTION**

FIG. 1 is a perspective view of a combined cover and fuel tank for an engine showing my new design; FIG. 2 is a top plan view thereof; FIG. 3 is a left side elevational view thereof; FIG. 4 is a right side elevational view thereof; FIG. 5 is a rear elevational view thereof; FIG. 6 is a front elevational view; and, FIG. 7 is a bottom plan view thereof.

**1 Claim, 4 Drawing Sheets**



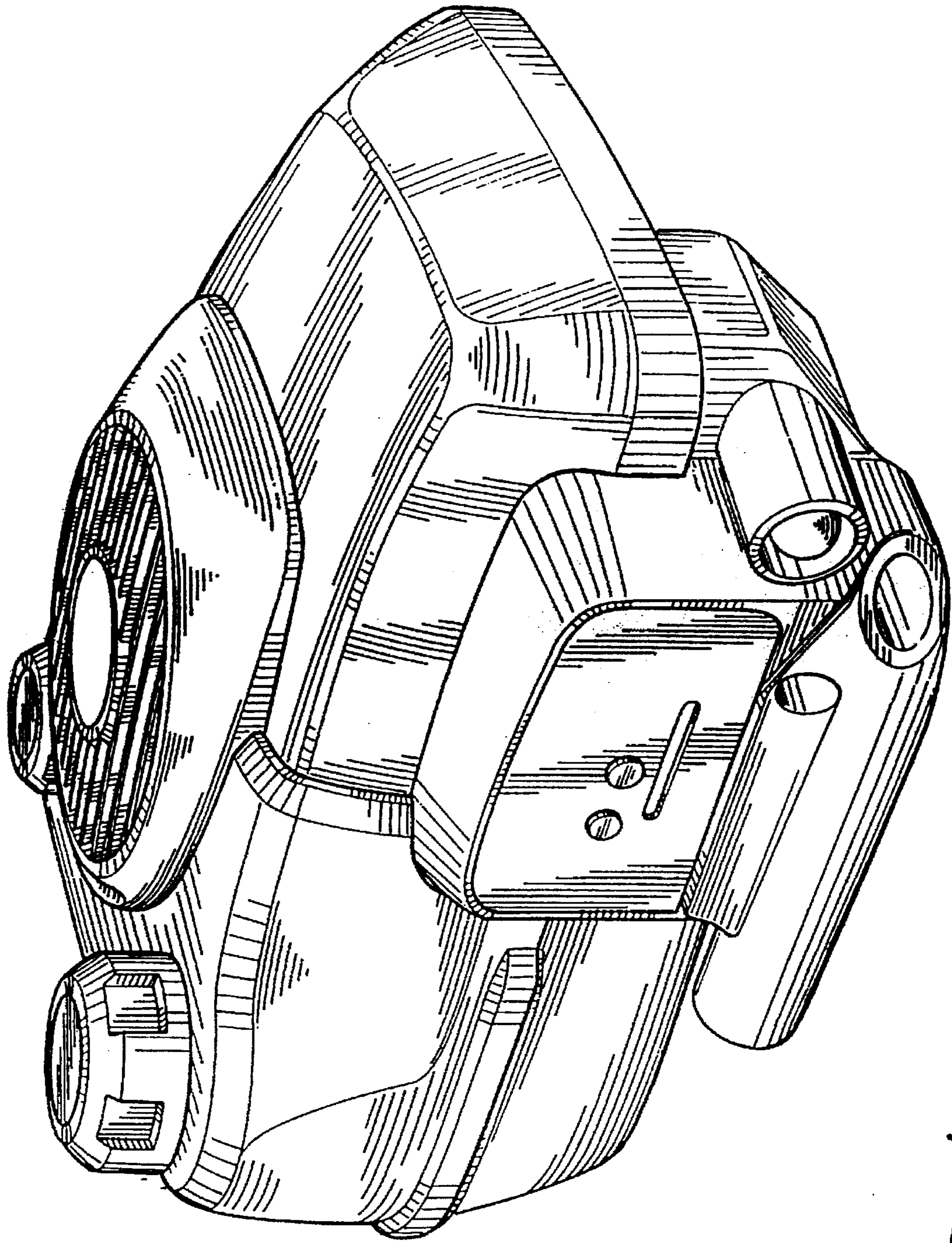


FIG. 1

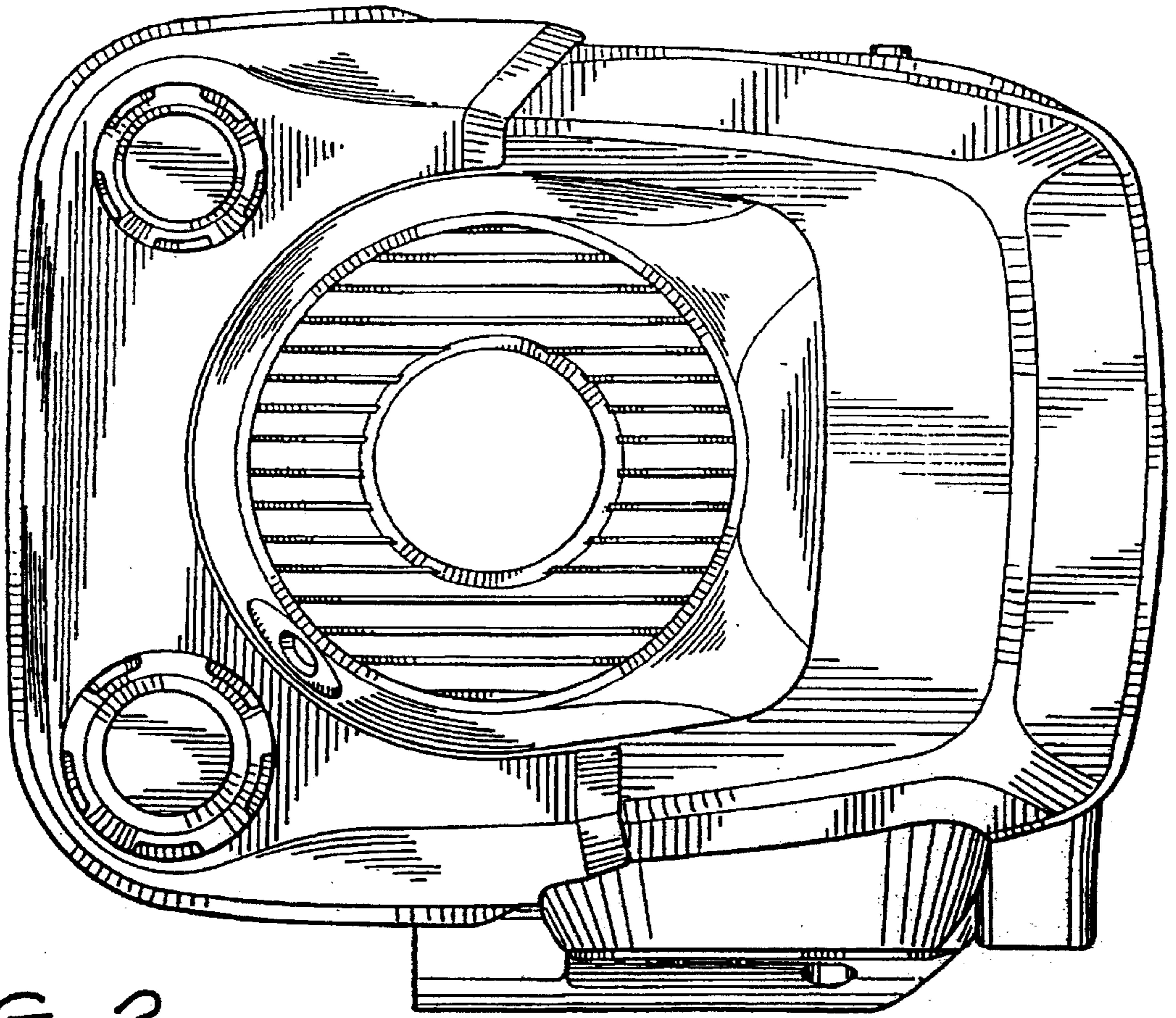


FIG. 2

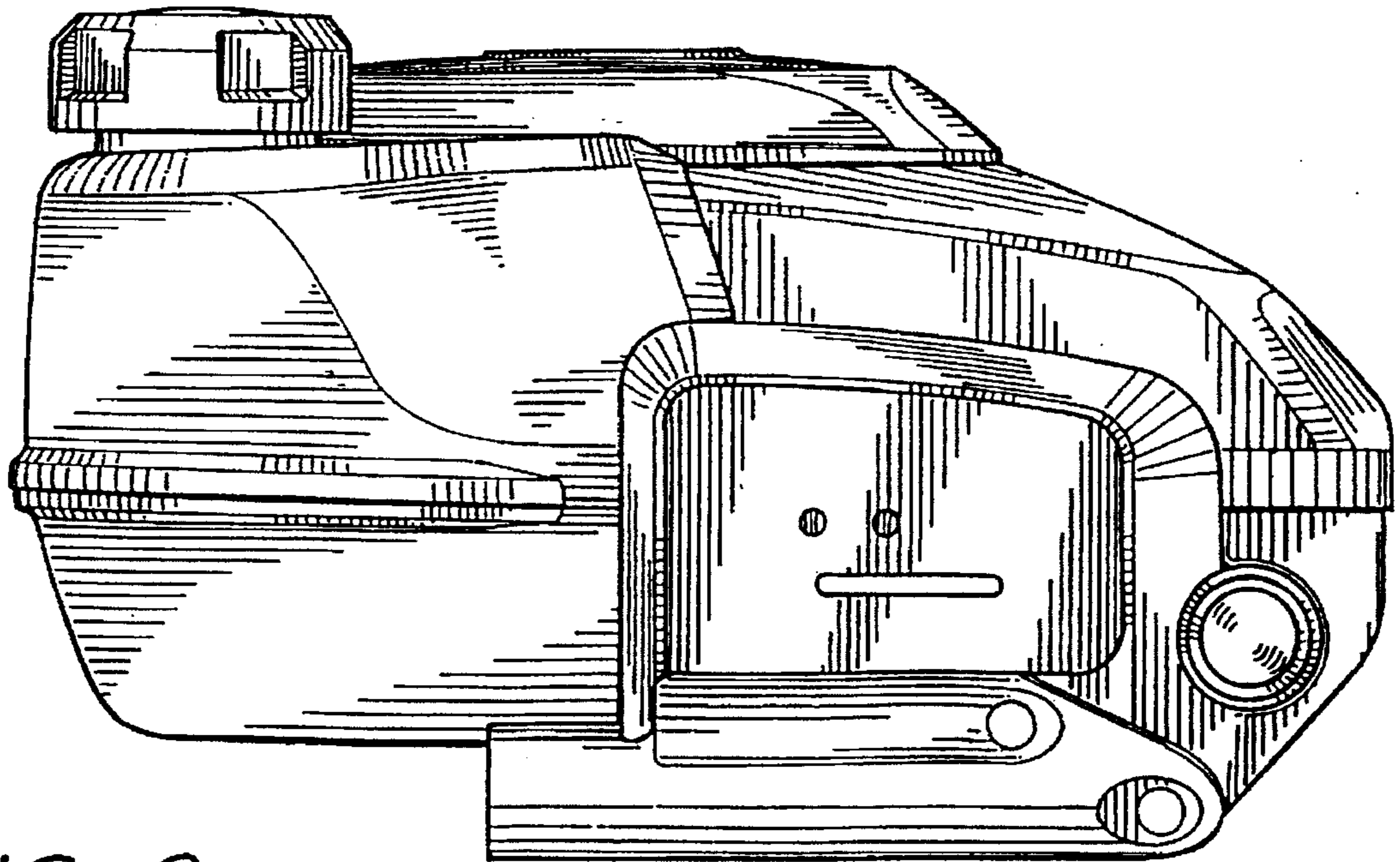


FIG. 3

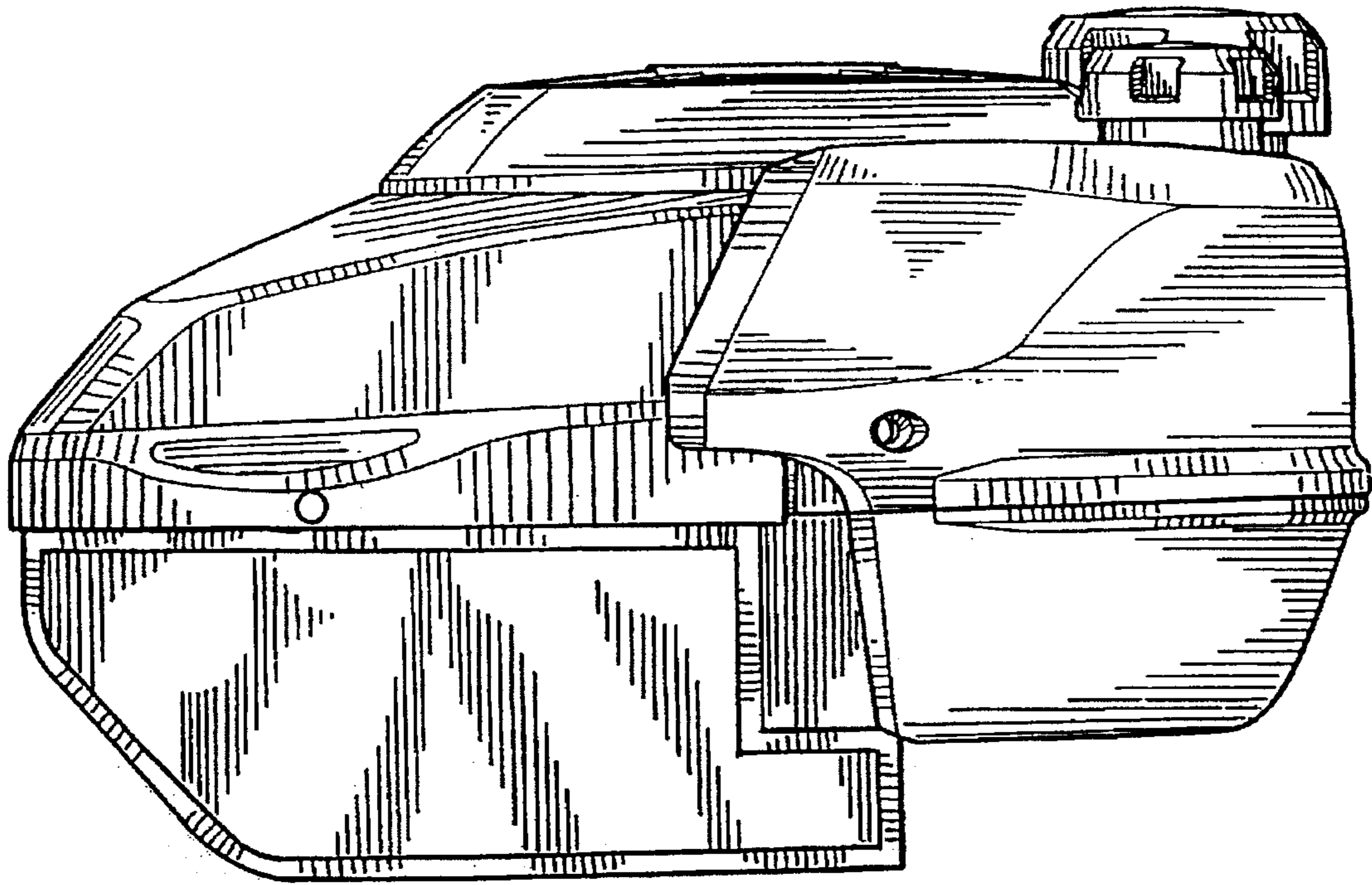


FIG. 4

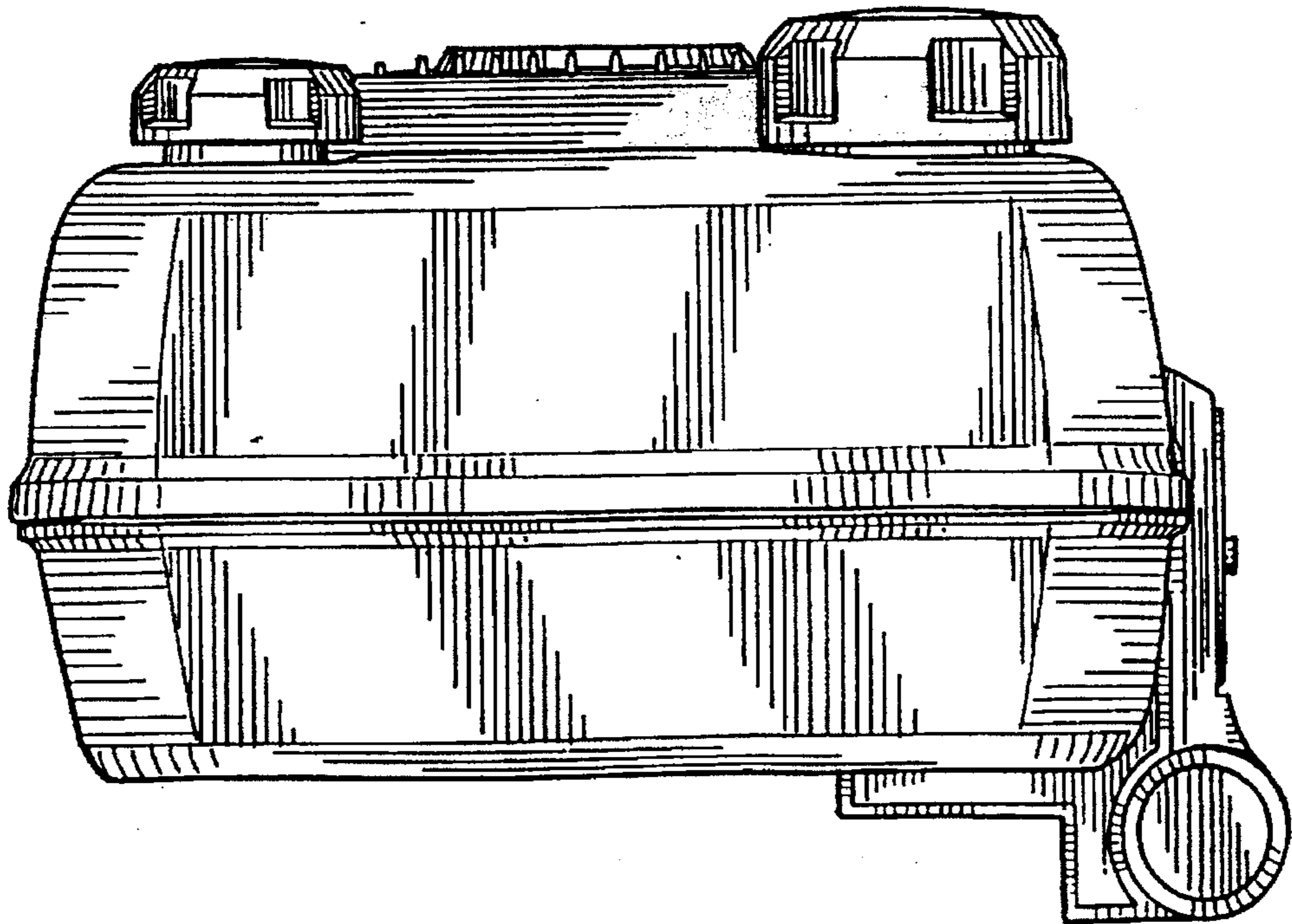


FIG. 5

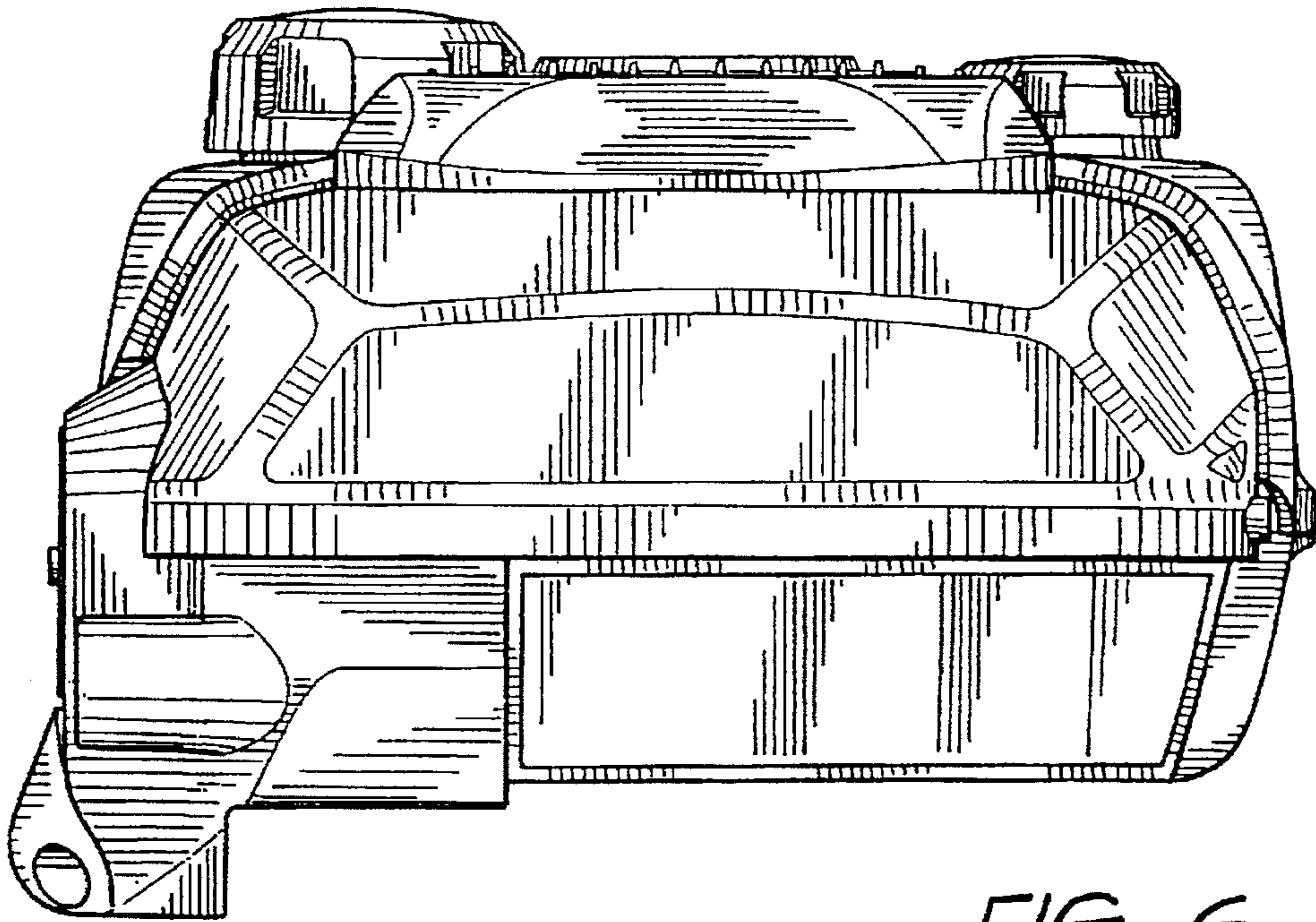


FIG. 6

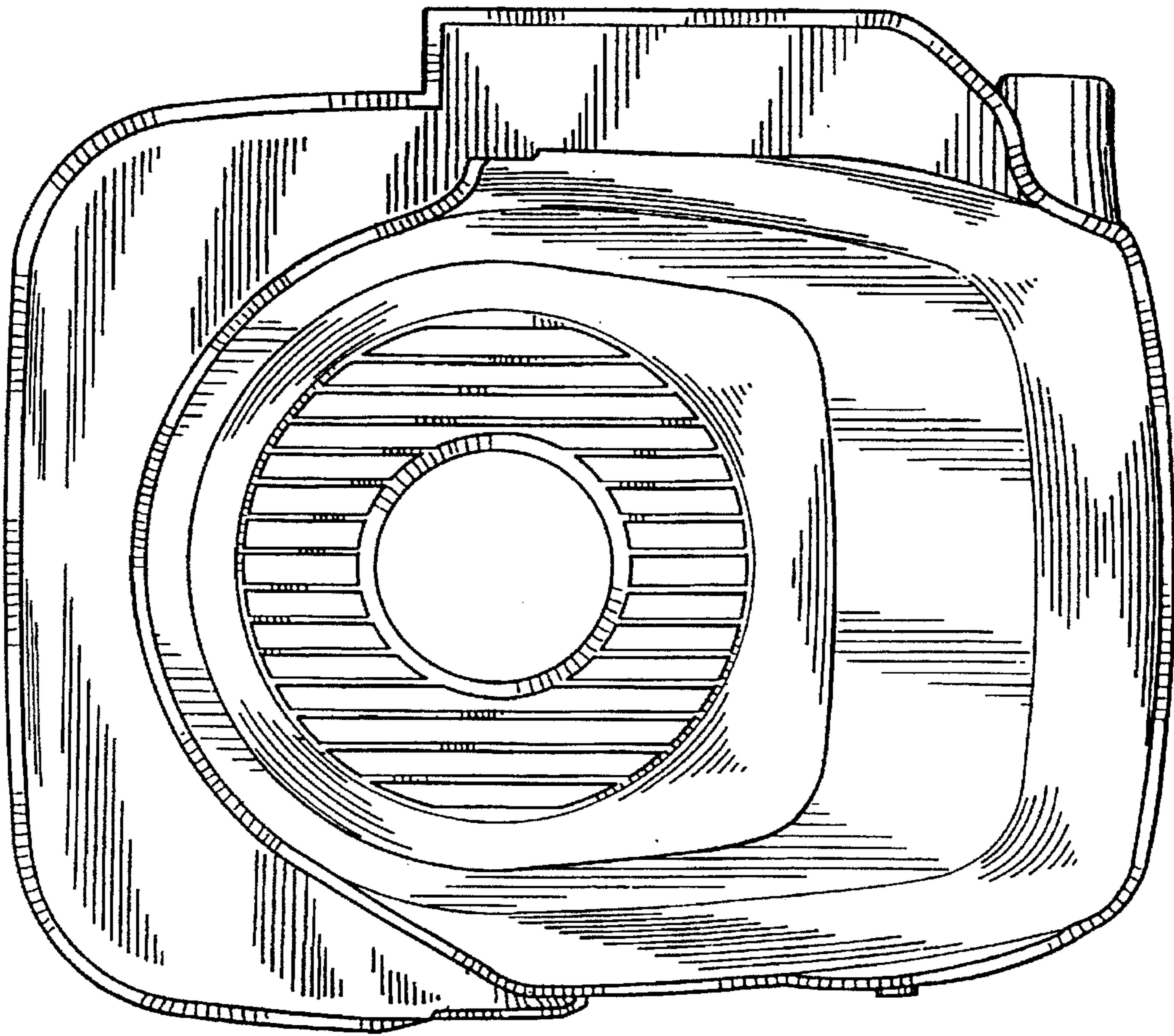


FIG. 7