



US00D379994S

United States Patent [19]

Stratelak et al.

[11] Patent Number: Des. 379,994

[45] Date of Patent: **Jun. 17, 1997

[54] PHONE PLACARD

[75] Inventors: **Gerard A. Stratelak**, Wheaton; **Gary B. Volpe**, Rolling Meadows; **Karen Frick**, Long Grove; **David Prahl**, Barrington, all of Ill.

[73] Assignee: **Ameritech Services, Inc.**, Chicago, Ill.

[**] Term: **14 Years**

[21] Appl. No.: **41,776**

[22] Filed: **Jun. 27, 1995**

[51] LOC (6) Cl. **14-03**

[52] U.S. Cl. **D14/254; D6/300; D6/309; D19/87; D20/10**

[58] Field of Search **D14/240, 250, D14/251-254; D20/10, 40; D19/87, 90; D6/300, 309, 310, 314; 379/440, 447, 450, 454, 441; 40/336, 339, 337**

[56] References Cited

U.S. PATENT DOCUMENTS

D. 76,984	11/1928	Chester	D20/10
D. 242,808	12/1976	Moberg	D19/87
D. 249,351	9/1978	Mattera	D19/87
D. 249,514	9/1978	Loeb	D14/254
D. 256,258	8/1980	Varrin	D14/254 X
D. 262,026	11/1981	Garan	D14/240
D. 272,735	2/1984	Frick et al.	D19/87 X
D. 285,810	9/1986	Glasener	D20/10
D. 318,376	7/1991	Evans	D6/309
D. 347,857	6/1994	Coe	D19/254 X
2,981,021	4/1961	Clark	40/336
4,330,692	5/1982	Foreman, Sr.	40/336 X
5,173,937	12/1992	Sugiyama	379/447 X
5,276,986	1/1994	Thomas	40/336

Primary Examiner—Jeffrey Asch
Attorney, Agent, or Firm—Brinks Hofer Gilson & Lione

[57] CLAIM

The ornamental design for a phone placard, as shown and described.

DESCRIPTION

FIG. 1 is a perspective view of a phone placard showing our

new design, the broken line showing of a telephone being for illustrative purposes only and forms no part of the claimed design;

FIG. 2 is a top plan view thereof;

FIG. 3 is a bottom plan view thereof;

FIG. 4 is a front elevational view thereof;

FIG. 5 is a rear elevational view thereof;

FIG. 6 is a right side elevational view thereof;

FIG. 7 is a left side elevational view thereof;

FIG. 8 is a perspective view of a second embodiment of the phone placard shown in FIG. 1, the broken line showing of a telephone being for illustrative purposes only and forms no part of the claimed design;

FIG. 9 is a top plan view of FIG. 8;

FIG. 10 is a bottom plan view of FIG. 8;

FIG. 11 is a front elevational view of FIG. 8;

FIG. 12 is a rear elevational view of FIG. 8;

FIG. 13 is a right side elevational view of FIG. 8;

FIG. 14 is a left side elevational view of FIG. 8;

FIG. 15 is a perspective view of a third embodiment of the phone placard shown in FIG. 1, the broken line showing of a telephone being for illustrative purposes only and forms no part of the claimed design;

FIG. 16 is a top plan view of FIG. 15;

FIG. 17 is a bottom plan view of FIG. 15;

FIG. 18 is a front elevational view of FIG. 15;

FIG. 19 is a rear elevational view of FIG. 15;

FIG. 20 is a right side elevational view of FIG. 15;

FIG. 21 is a left side elevational view of FIG. 15;

FIG. 22 is a perspective view of a fourth embodiment of the phone placard shown in FIG. 1, the broken line showing of a telephone being for illustrative purposes only and form no part of the claimed design;

FIG. 23 is a top plan view of the FIG. 22;

FIG. 24 is a bottom plan view of FIG. 22;

FIG. 25 is a front elevational view of FIG. 22;

FIG. 26 is a rear elevational view of FIG. 22;

FIG. 27 is a right side elevational view of FIG. 22;

FIG. 28 is a left side elevational view of FIG. 22;

FIG. 29 is a perspective view of a second embodiment of the phone placard shown in FIG. 1, the broken line showing of a telephone being for illustrative purposes only and forms no part of the claimed design;

FIG. 30 is a top plan view of FIG. 29;

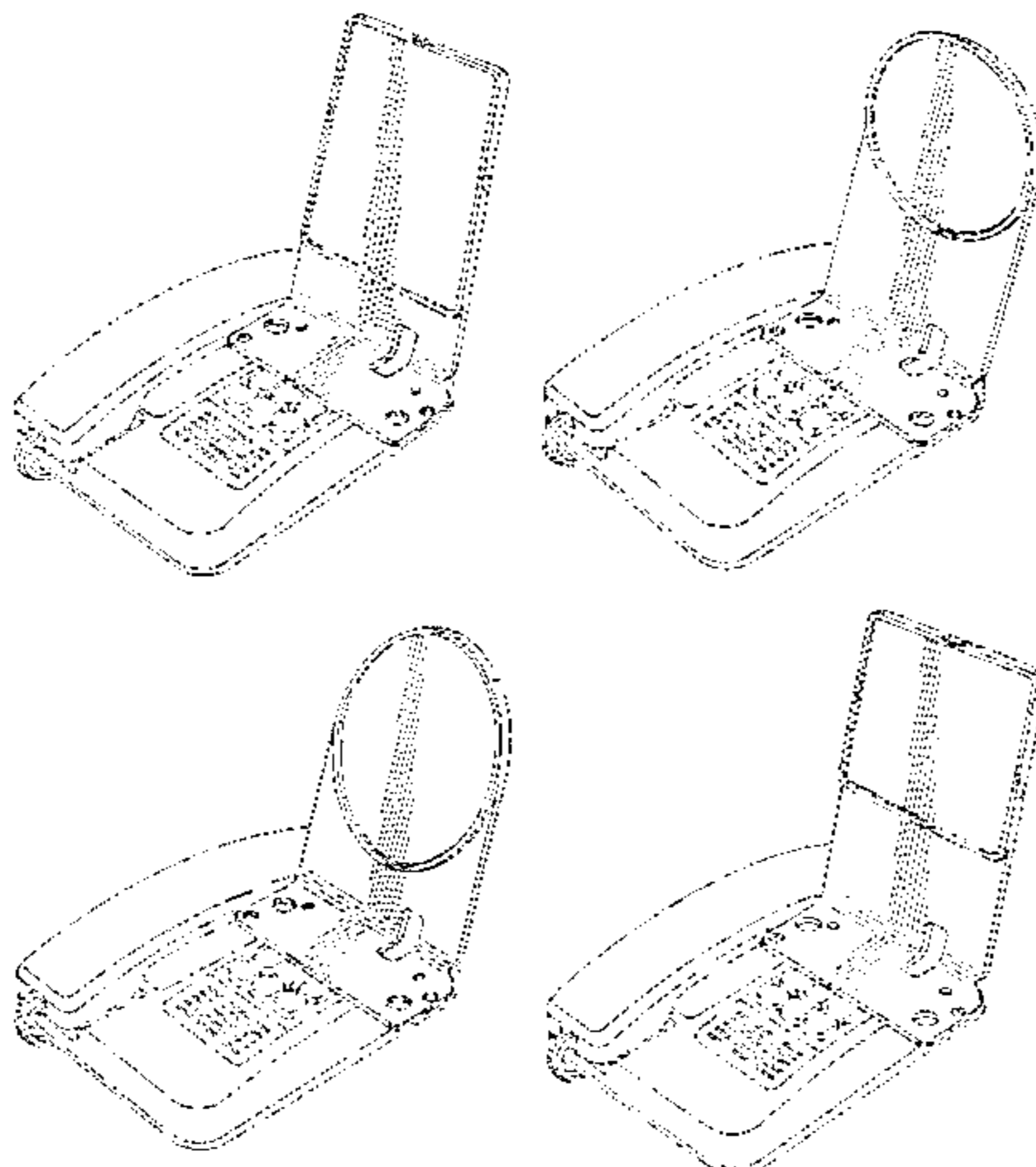


FIG. 31 is a bottom plan view of FIG. 29;
FIG. 32 is a front elevational view of FIG. 29;
FIG. 33 is a rear elevational view of FIG. 29;
FIG. 34 is a right side elevational view of FIG. 29; and,

FIG. 35 is a left side elevational view of FIG. 29.

1 Claim, 10 Drawing Sheets

FIG. 2

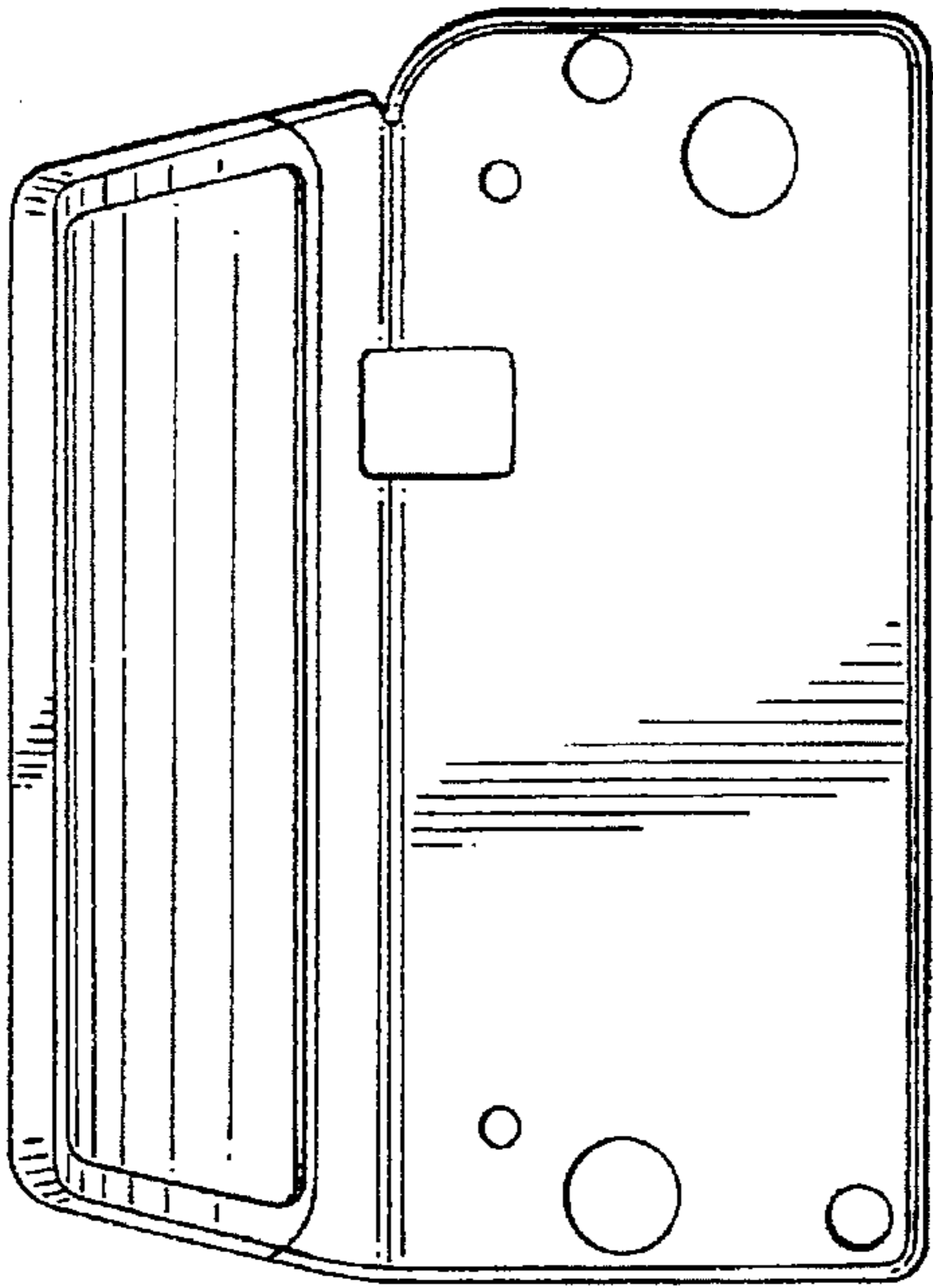


FIG. 3

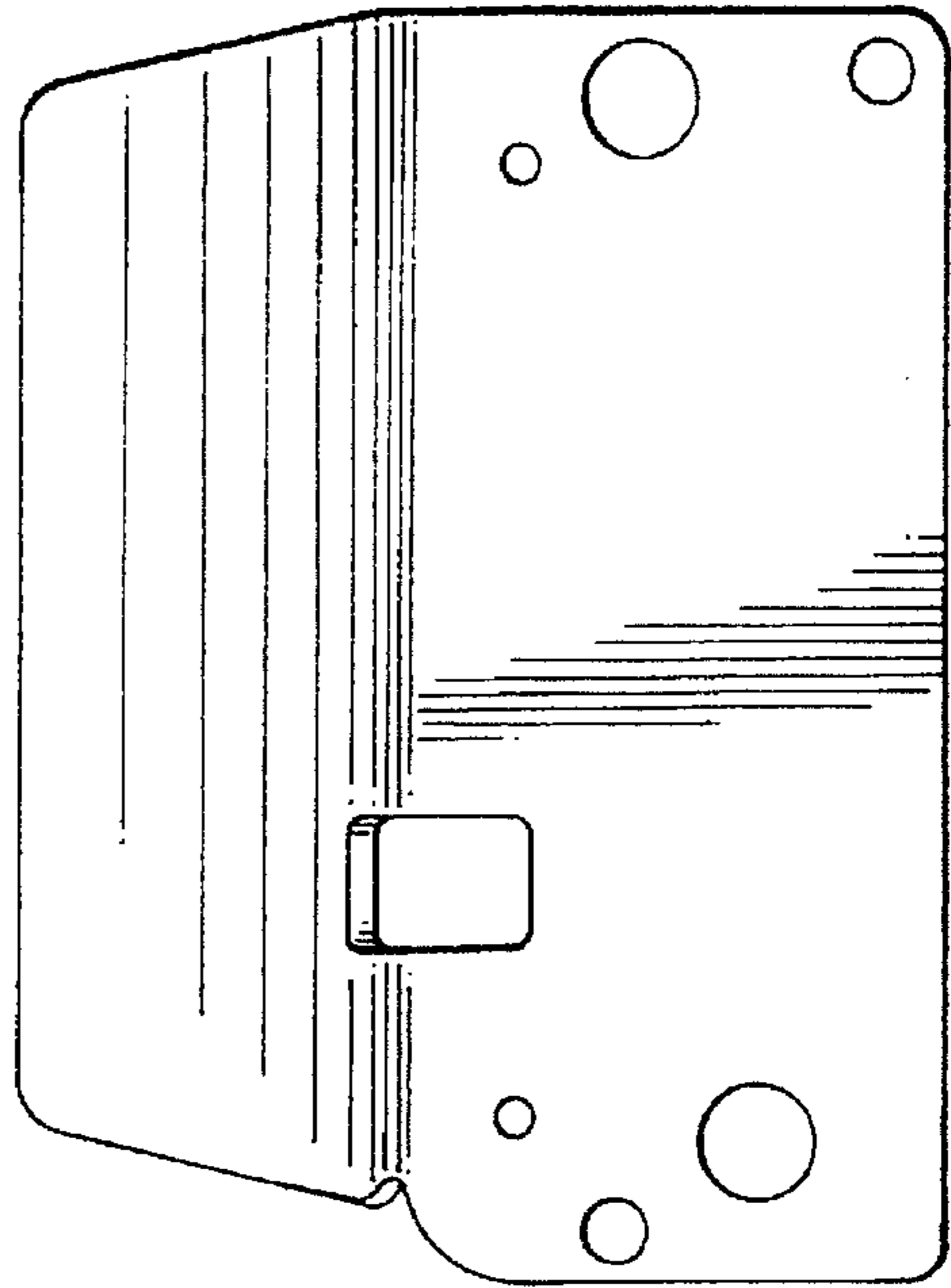


FIG. 1

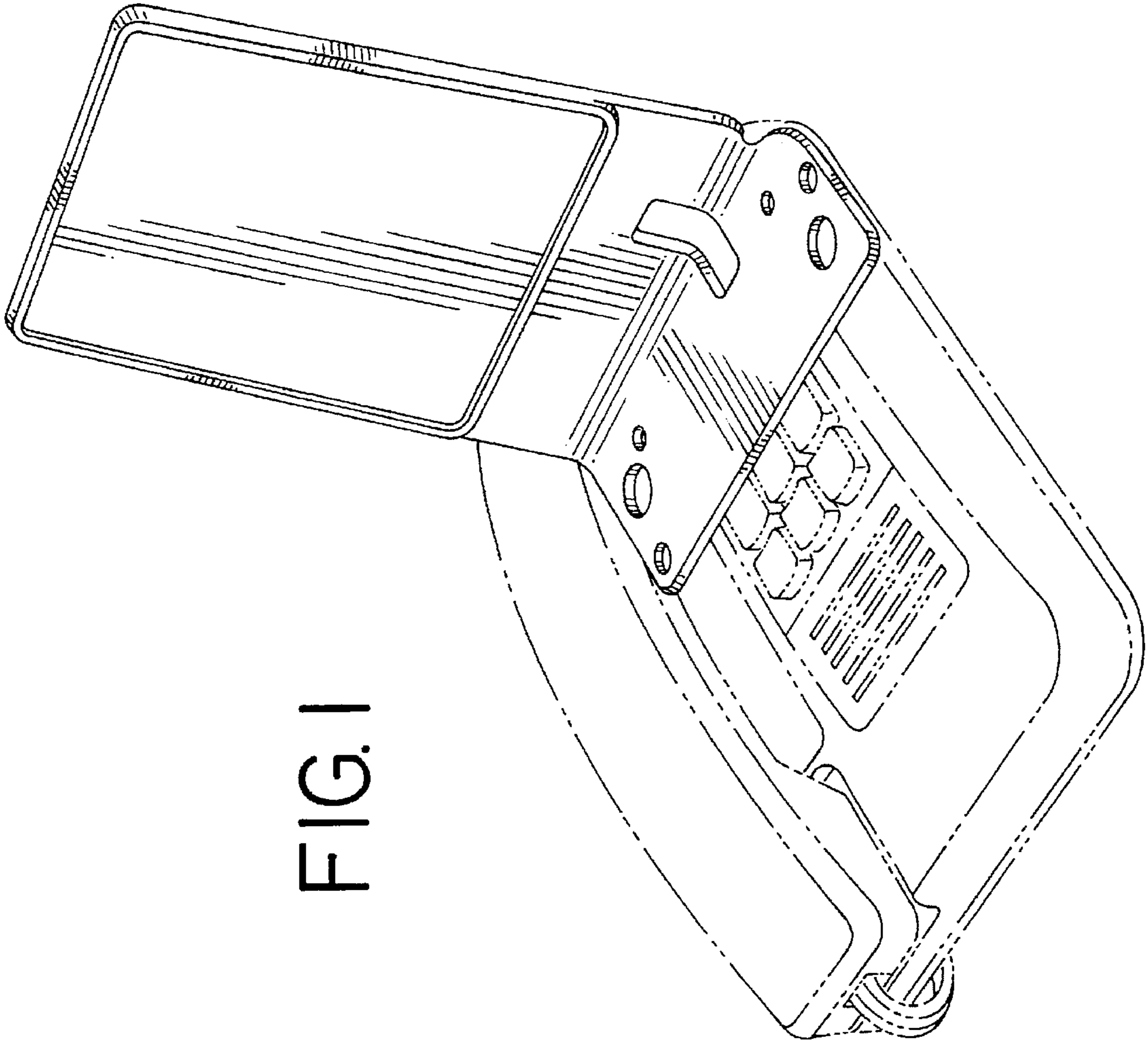


FIG. 4

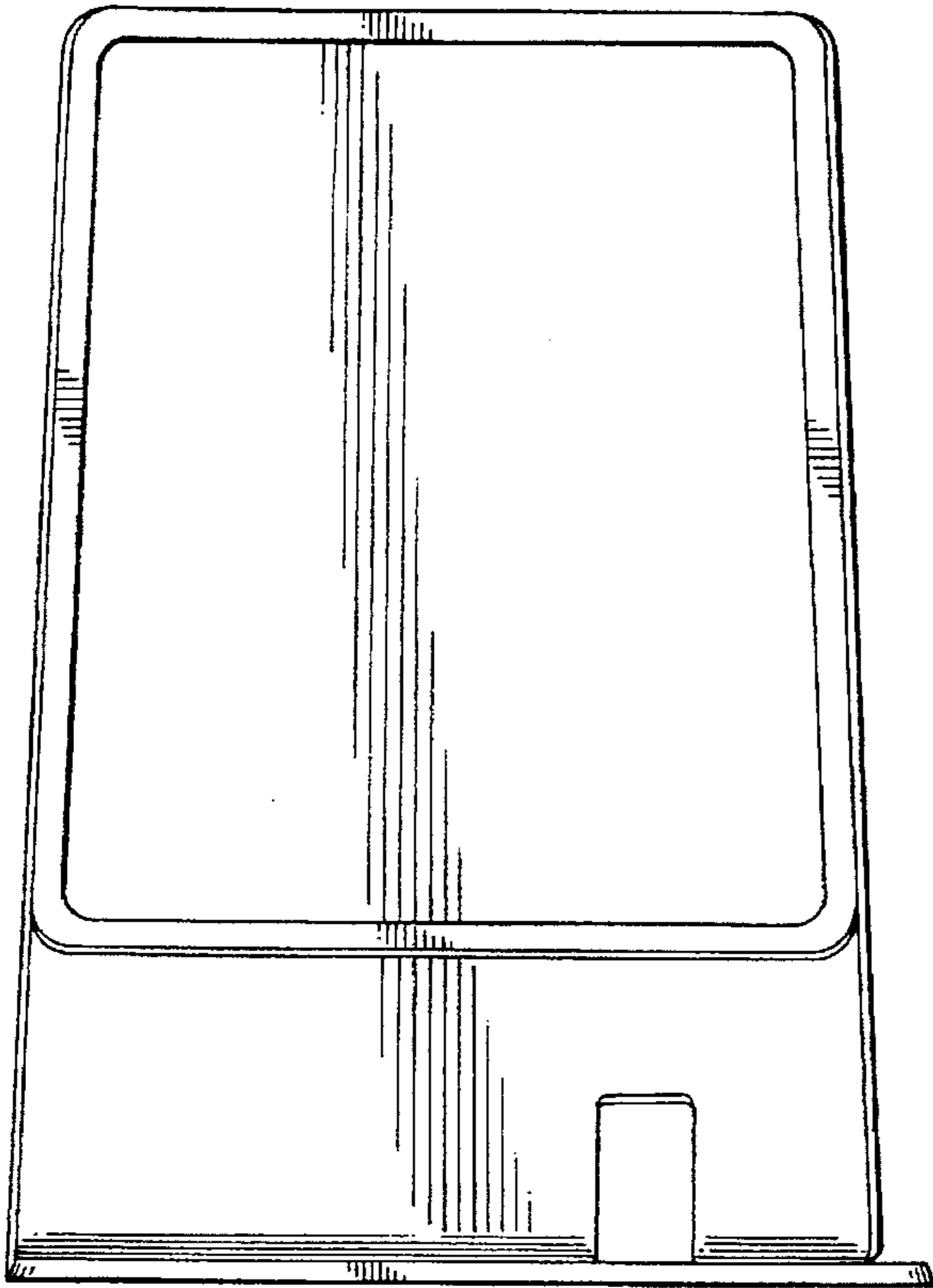


FIG. 6

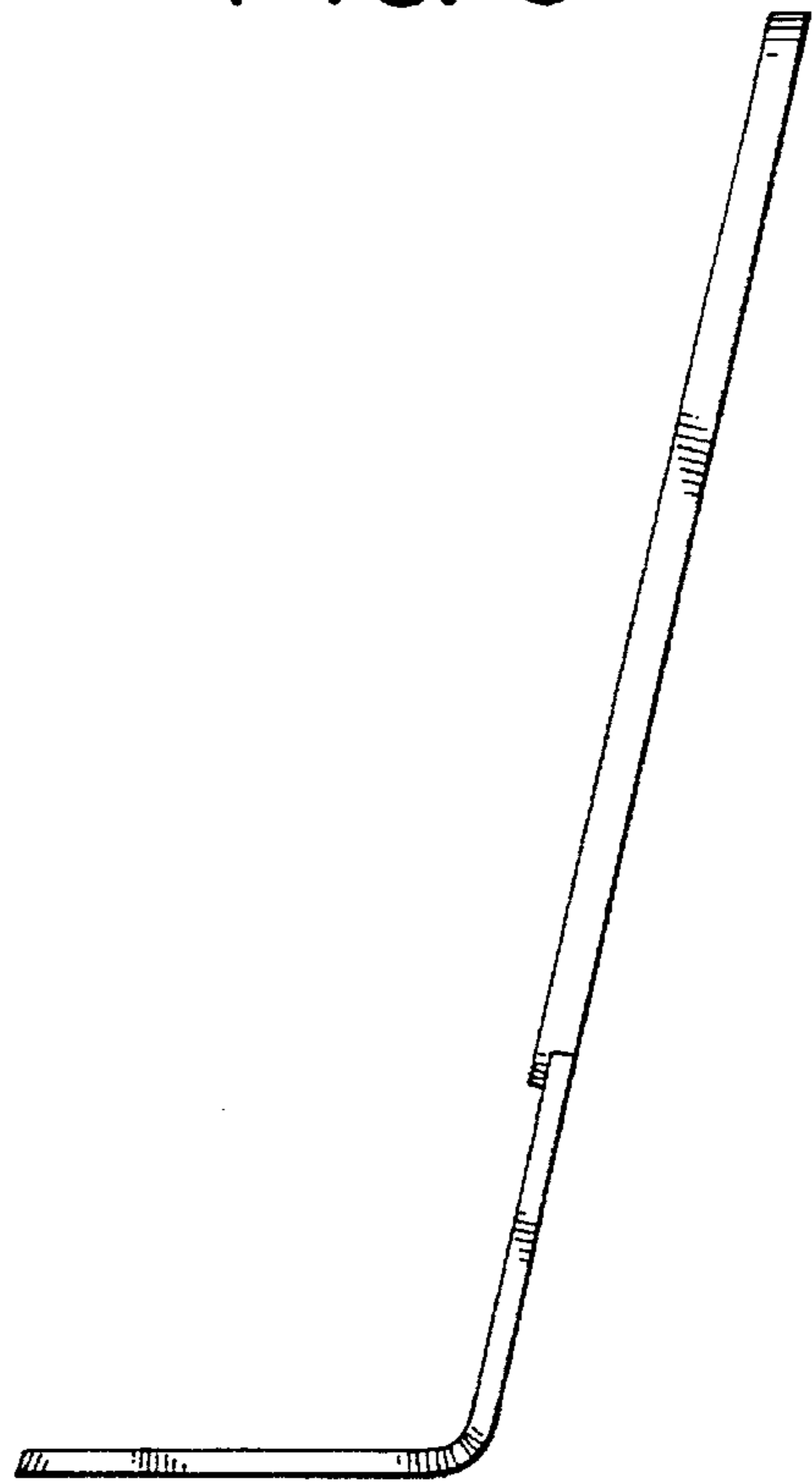


FIG. 5

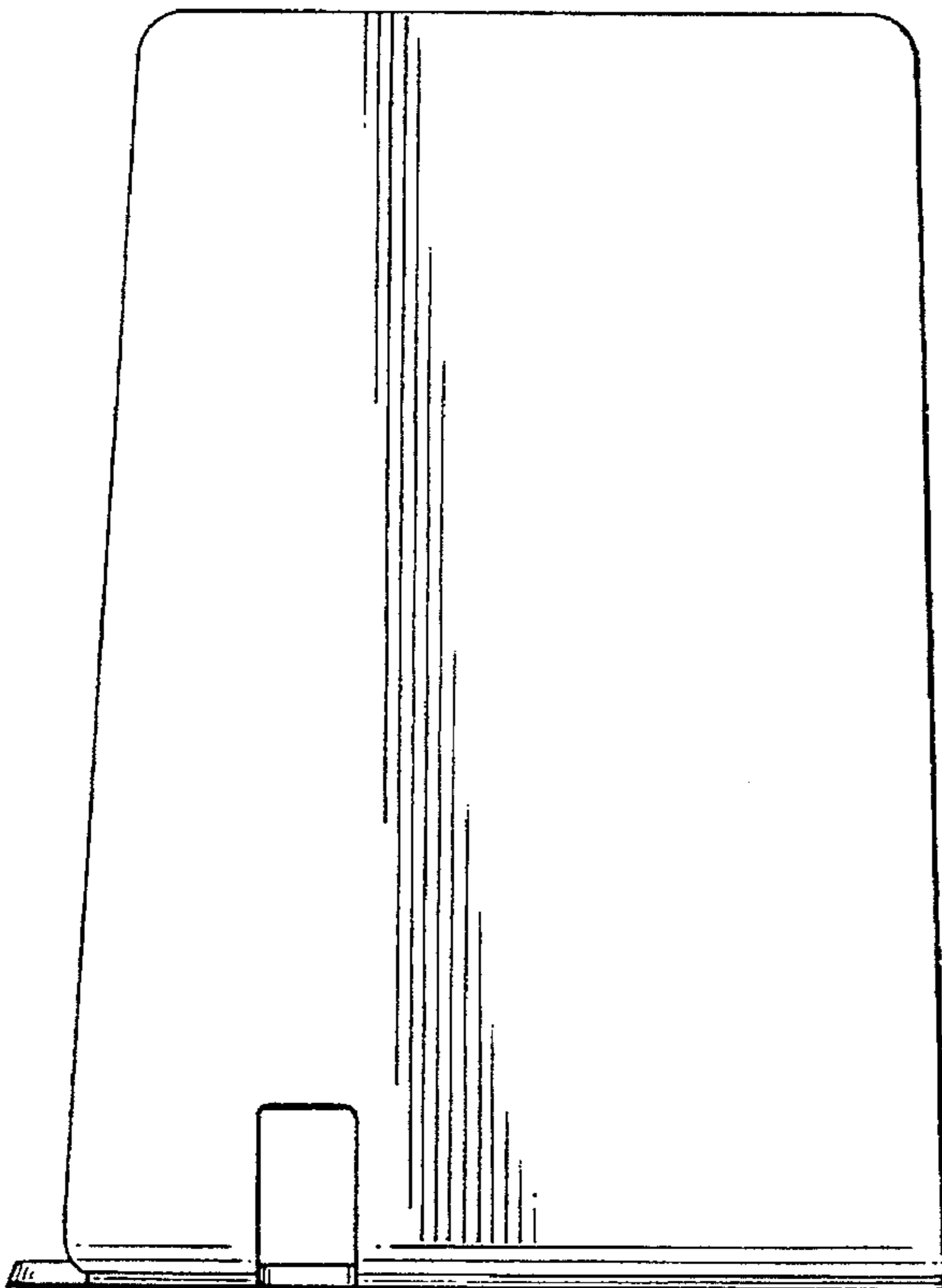


FIG. 7

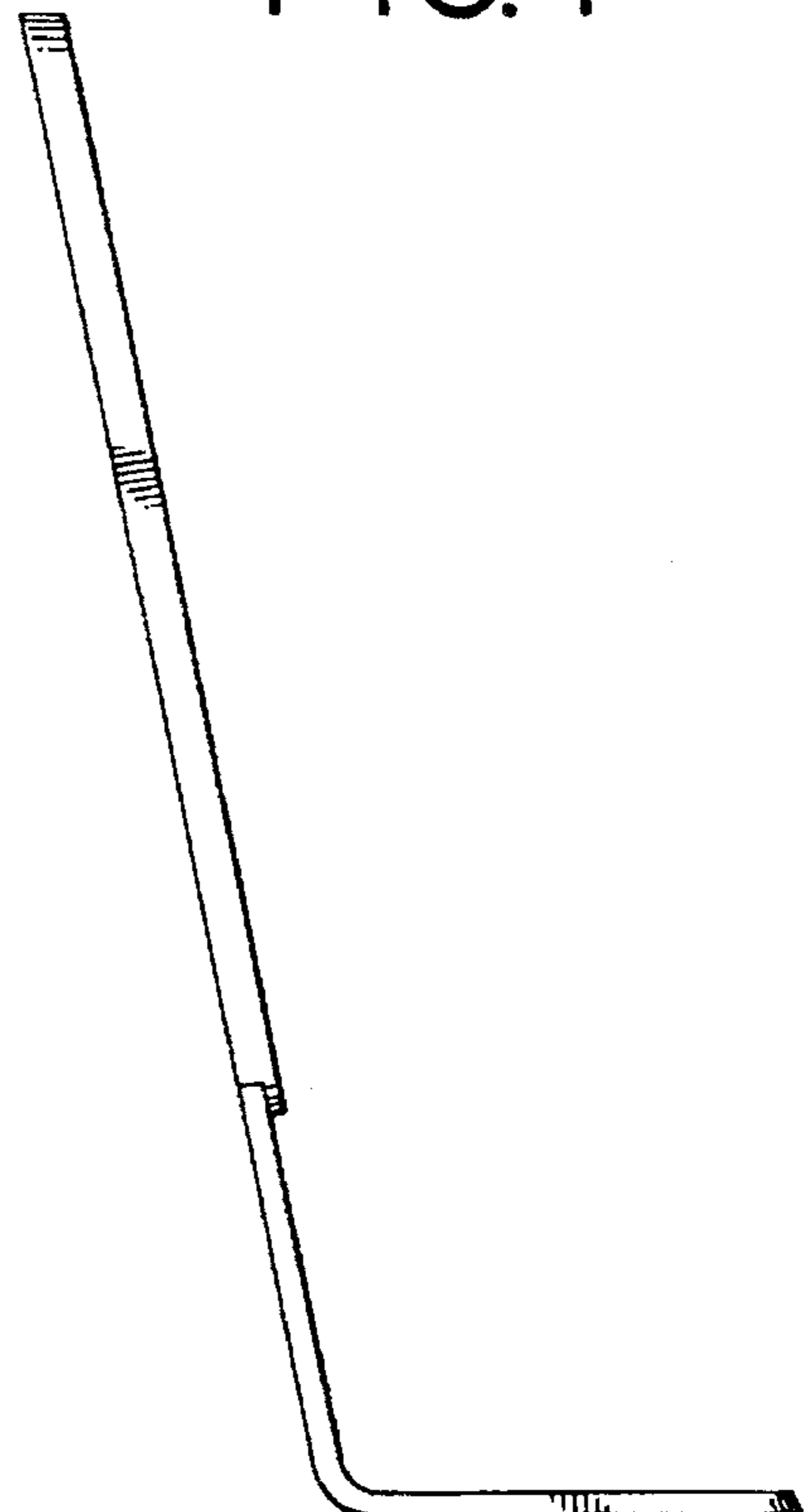


FIG. 9

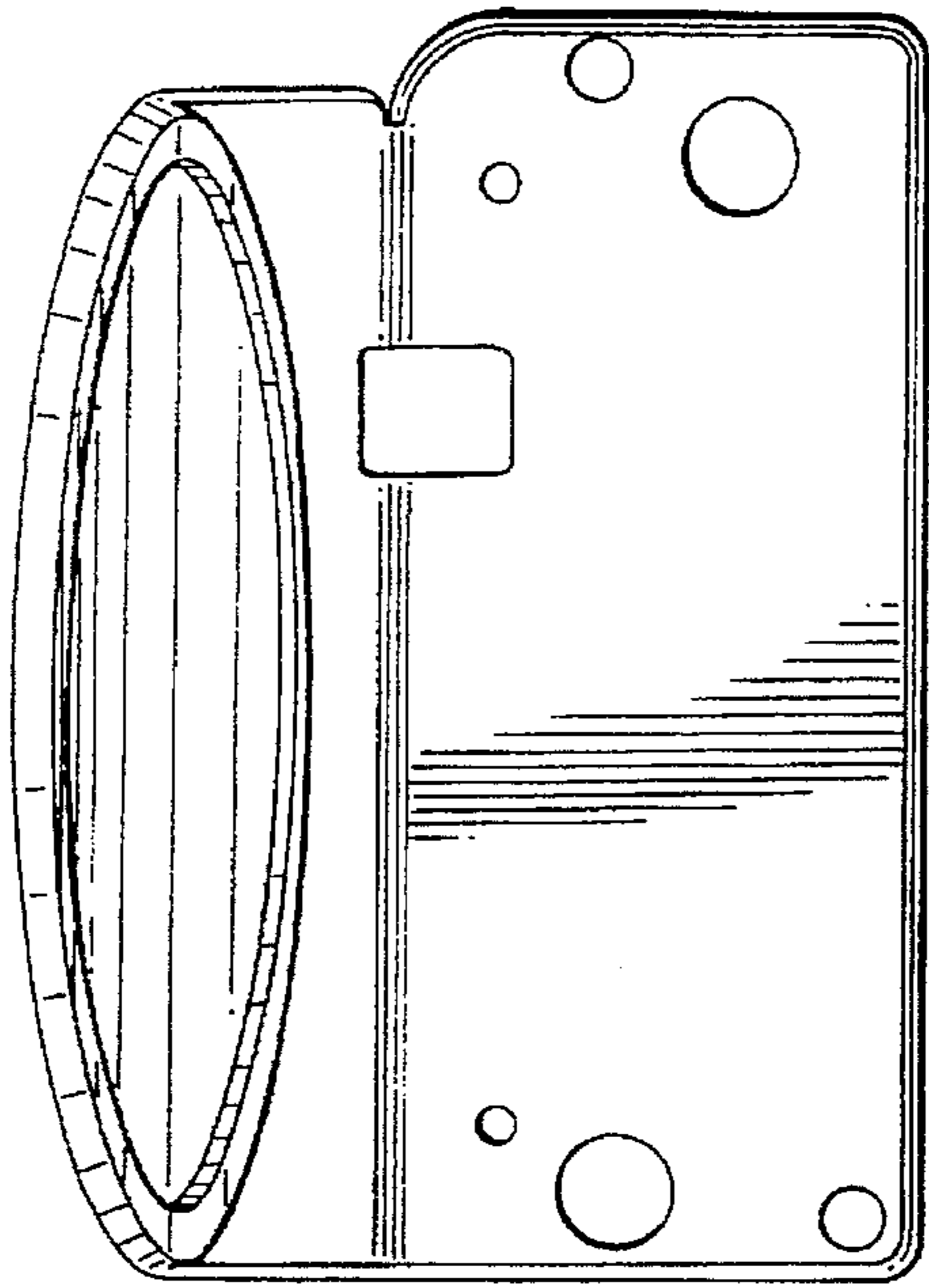


FIG. 10

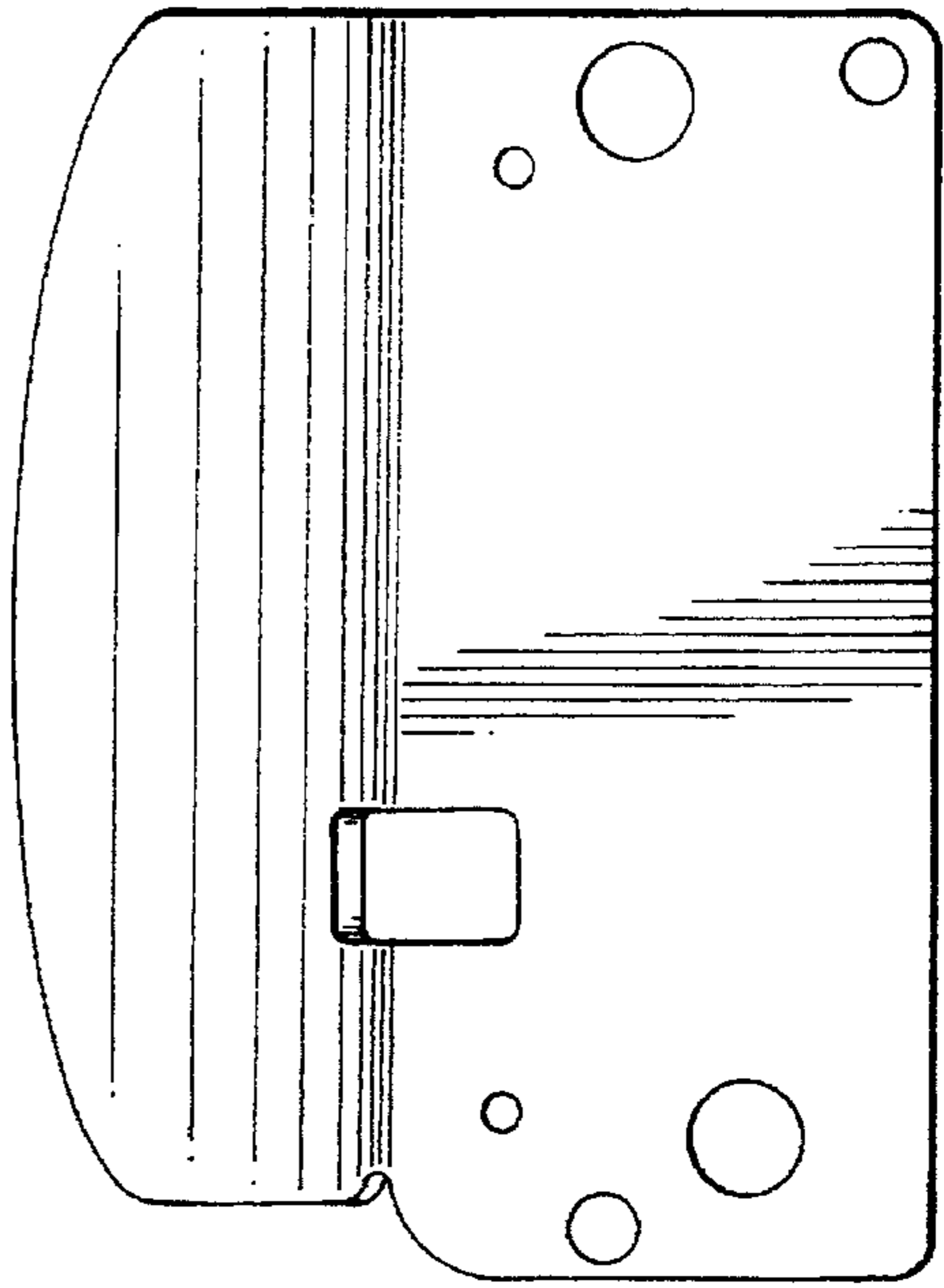


FIG. 8

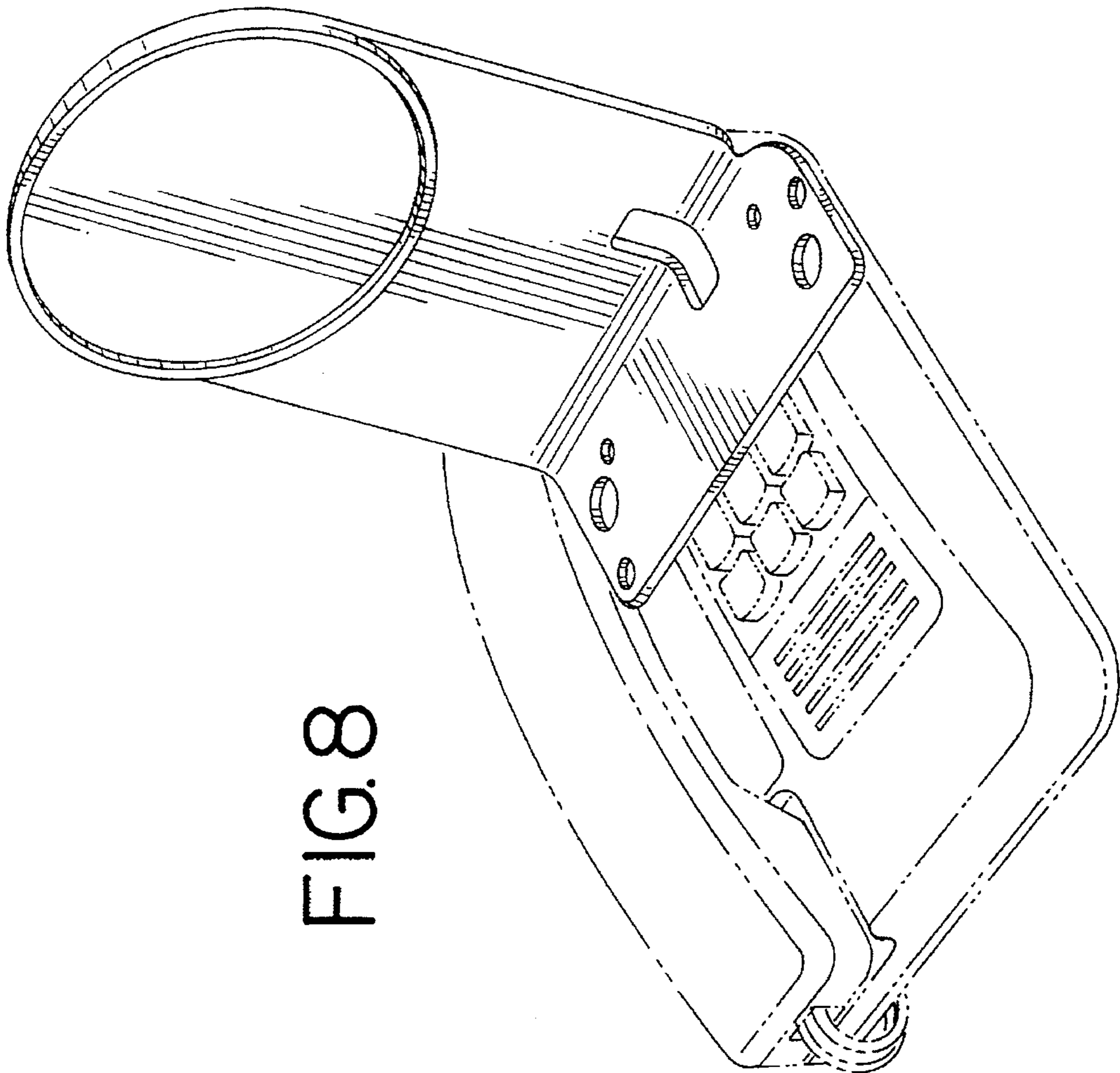


FIG. 11

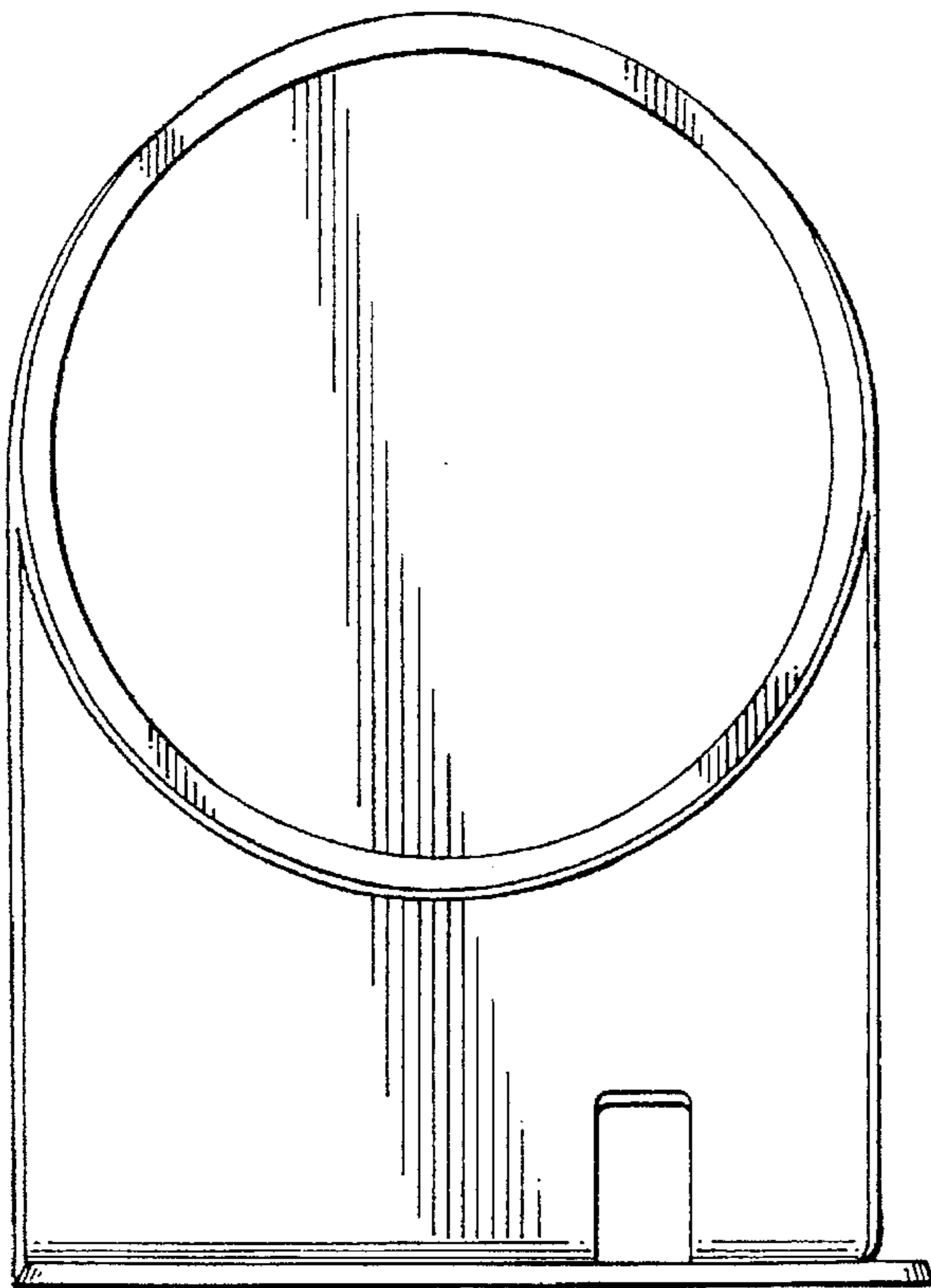


FIG. 13

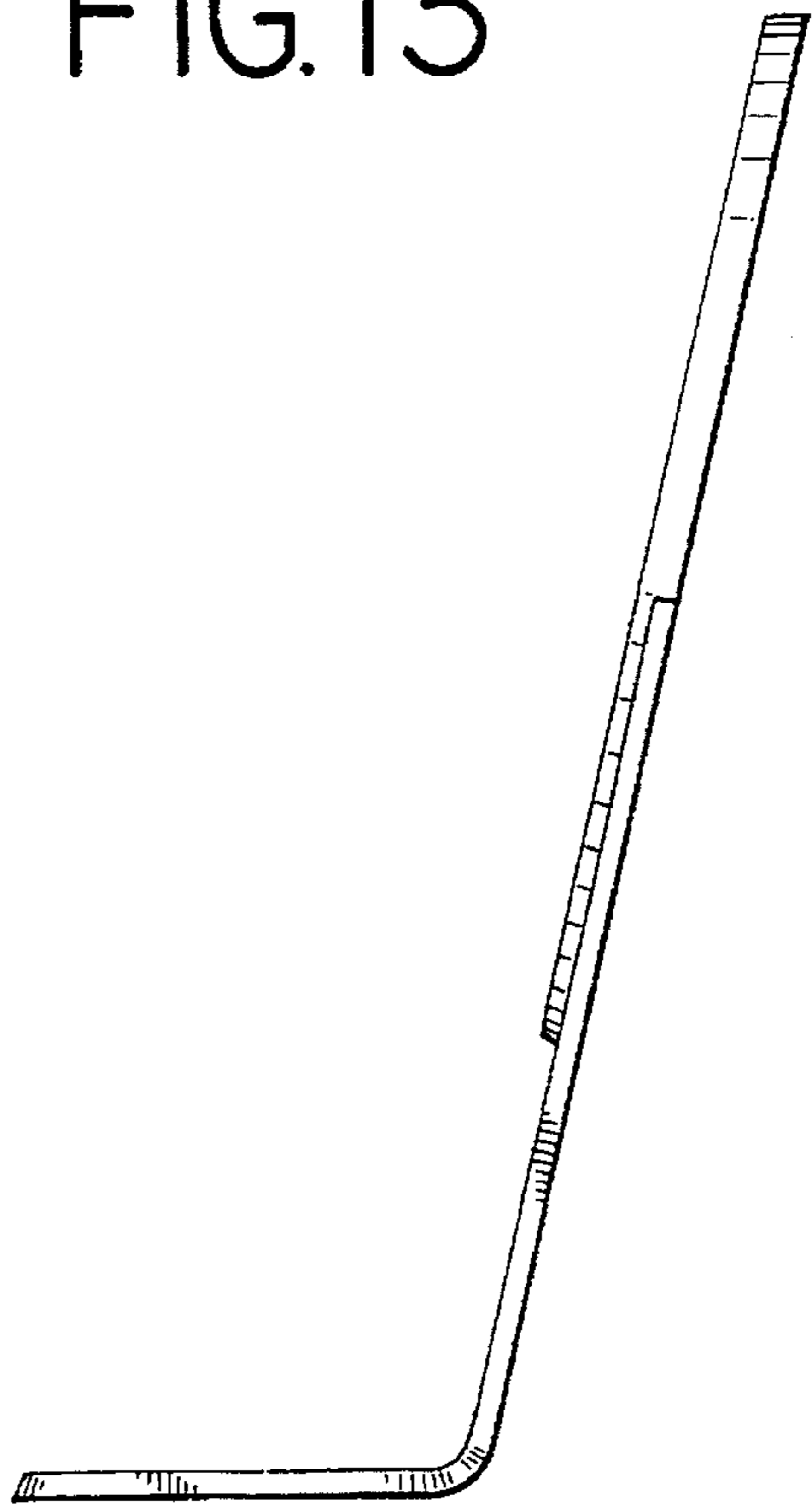


FIG. 12

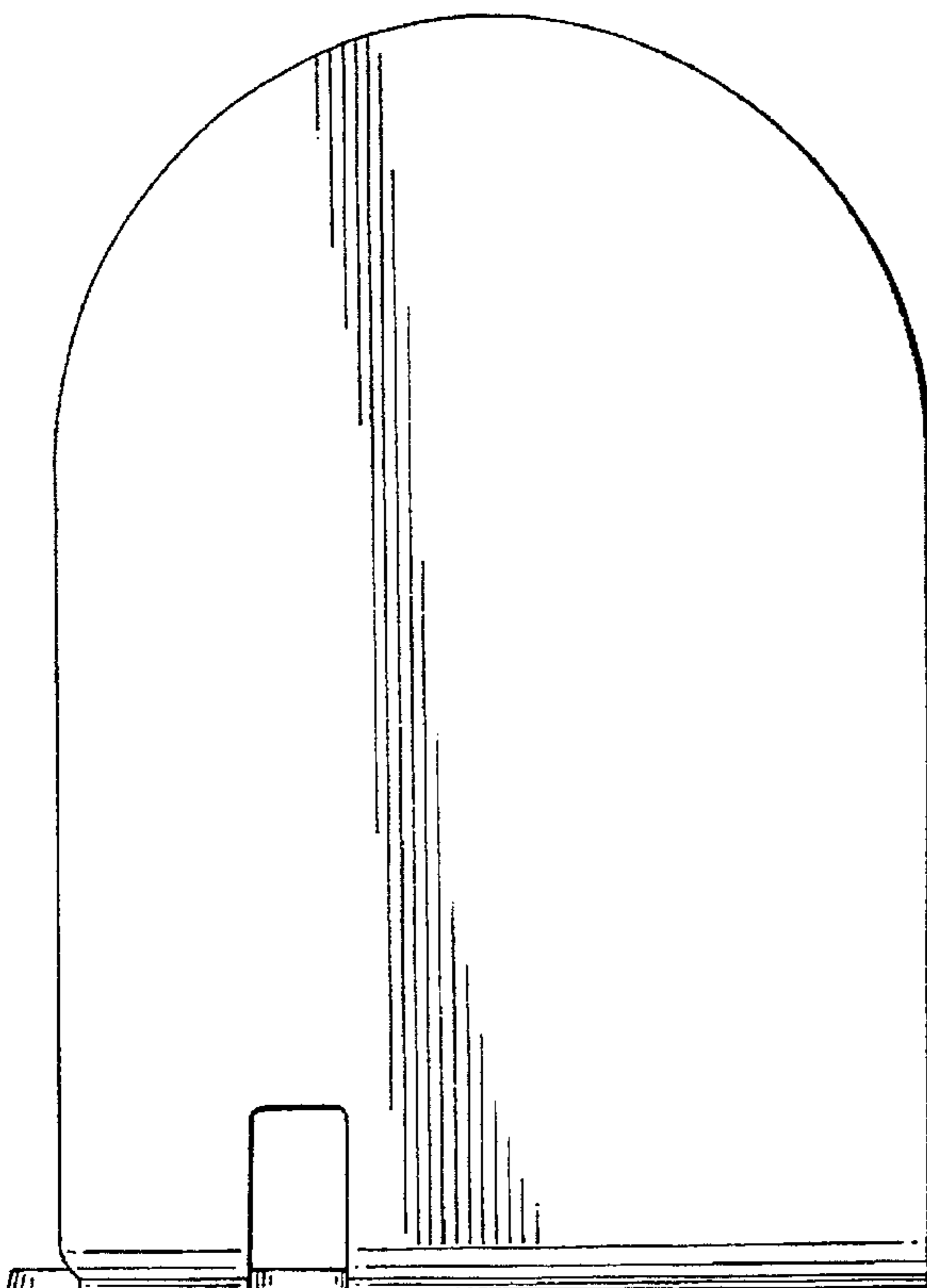


FIG. 14

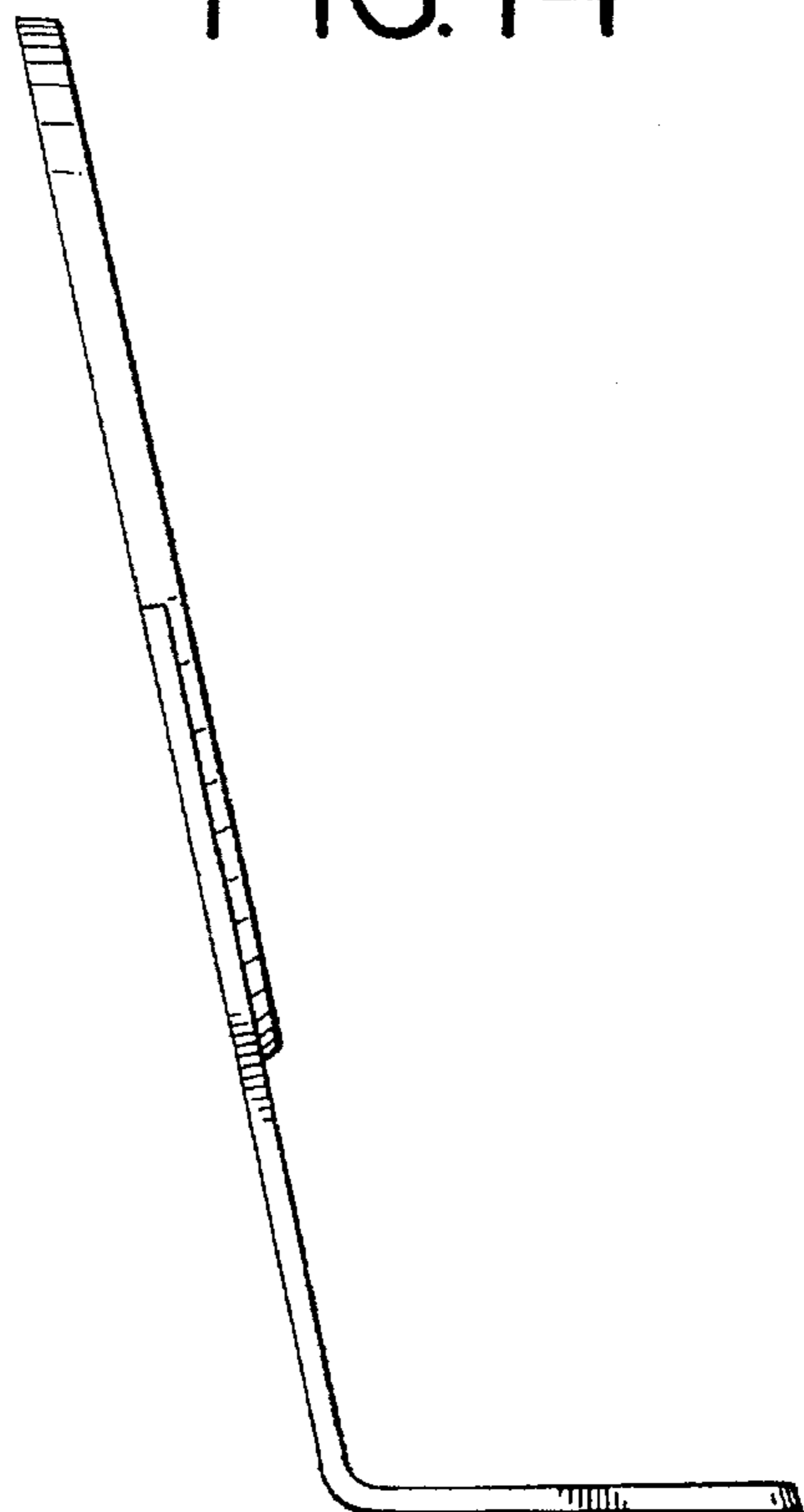


FIG. 16

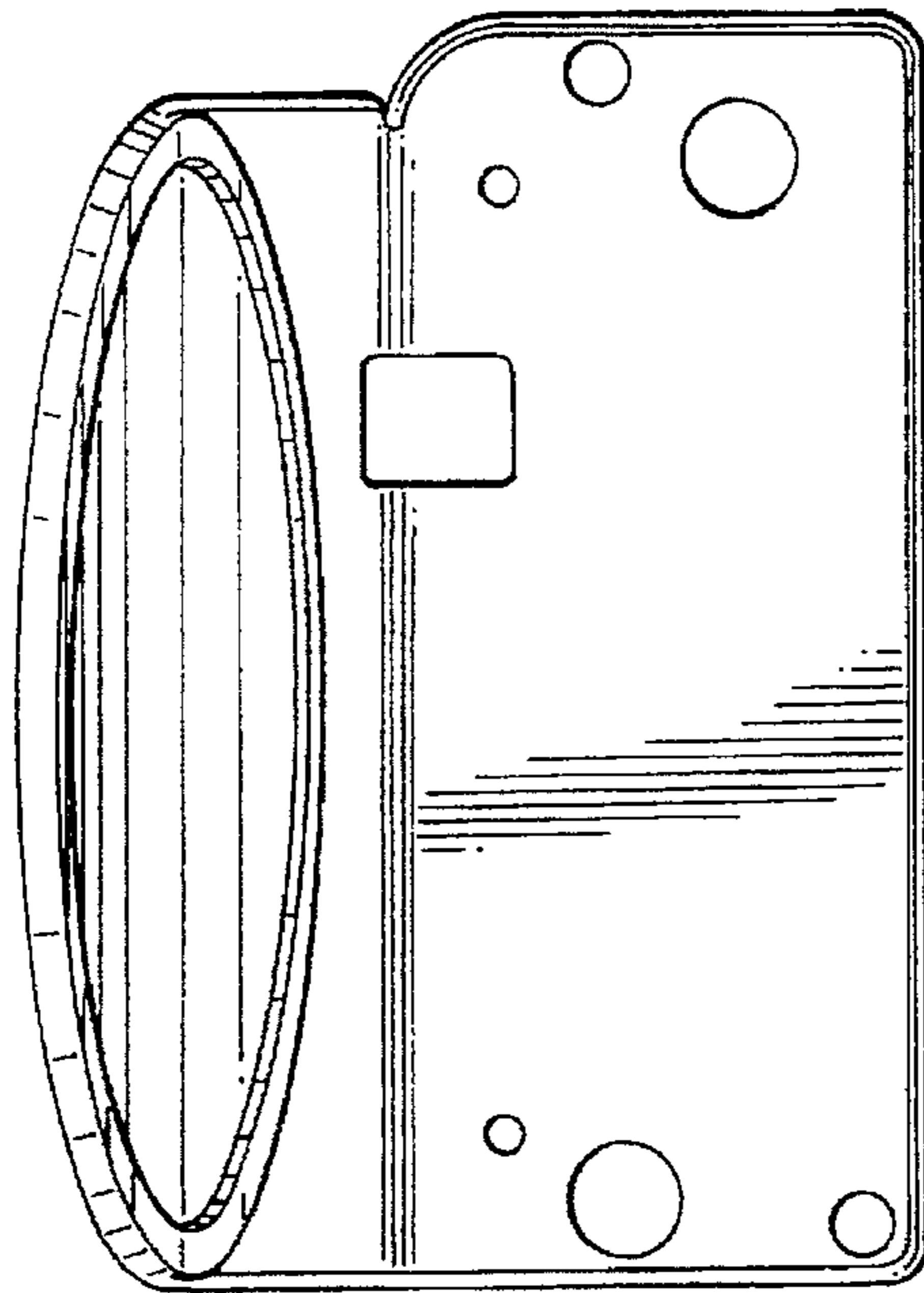


FIG. 17

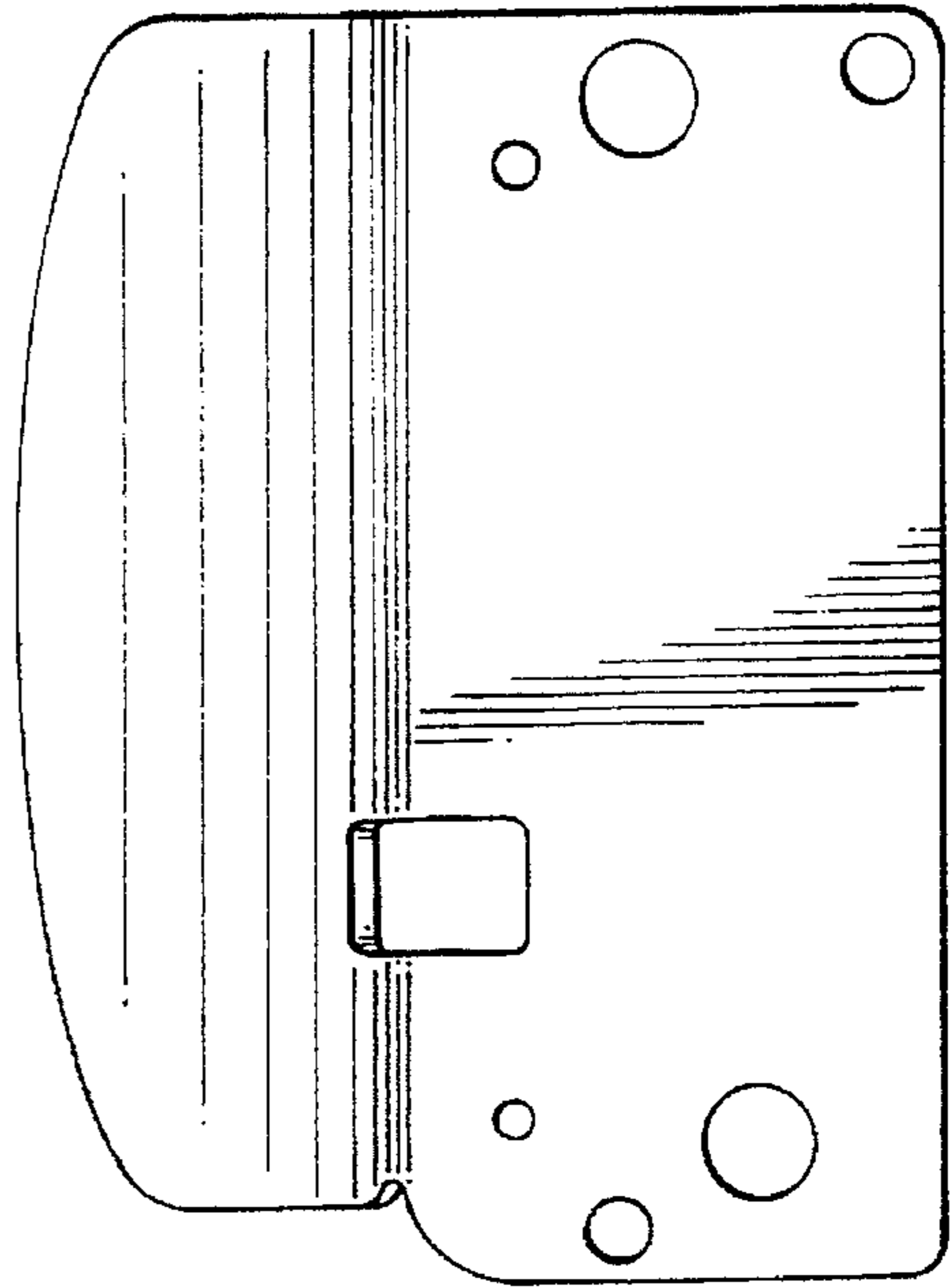


FIG. 15

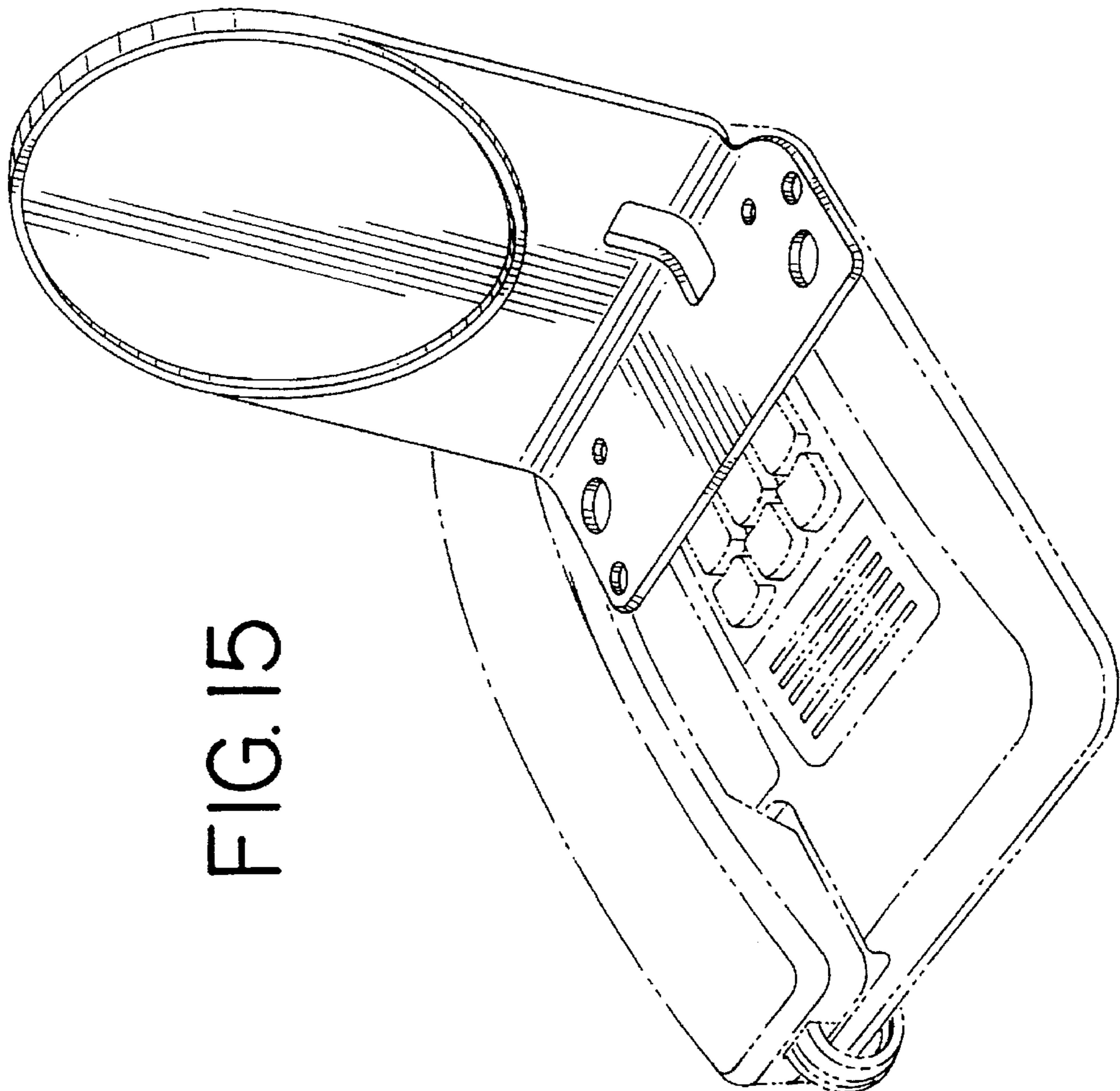


FIG. 18

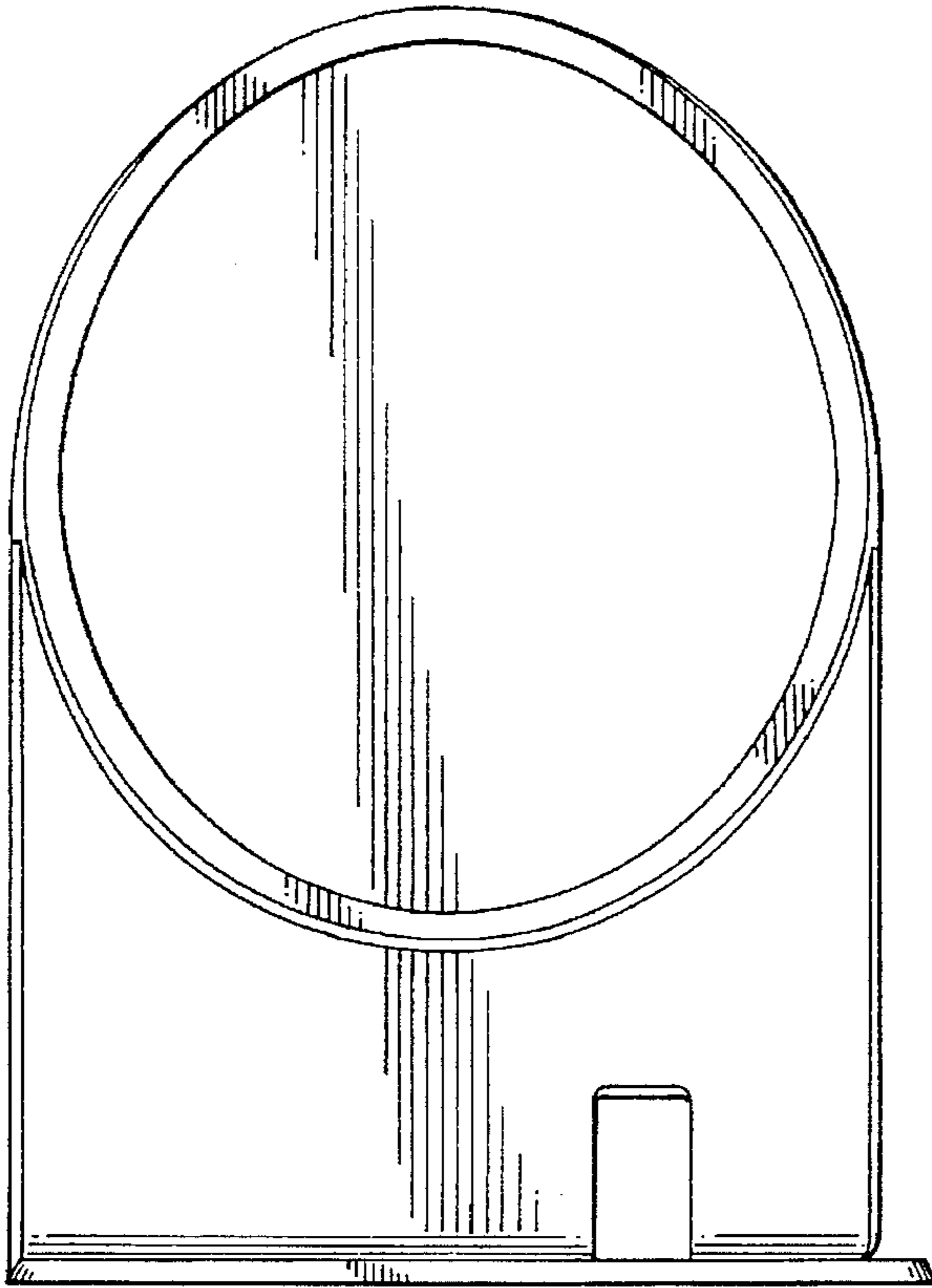


FIG. 20

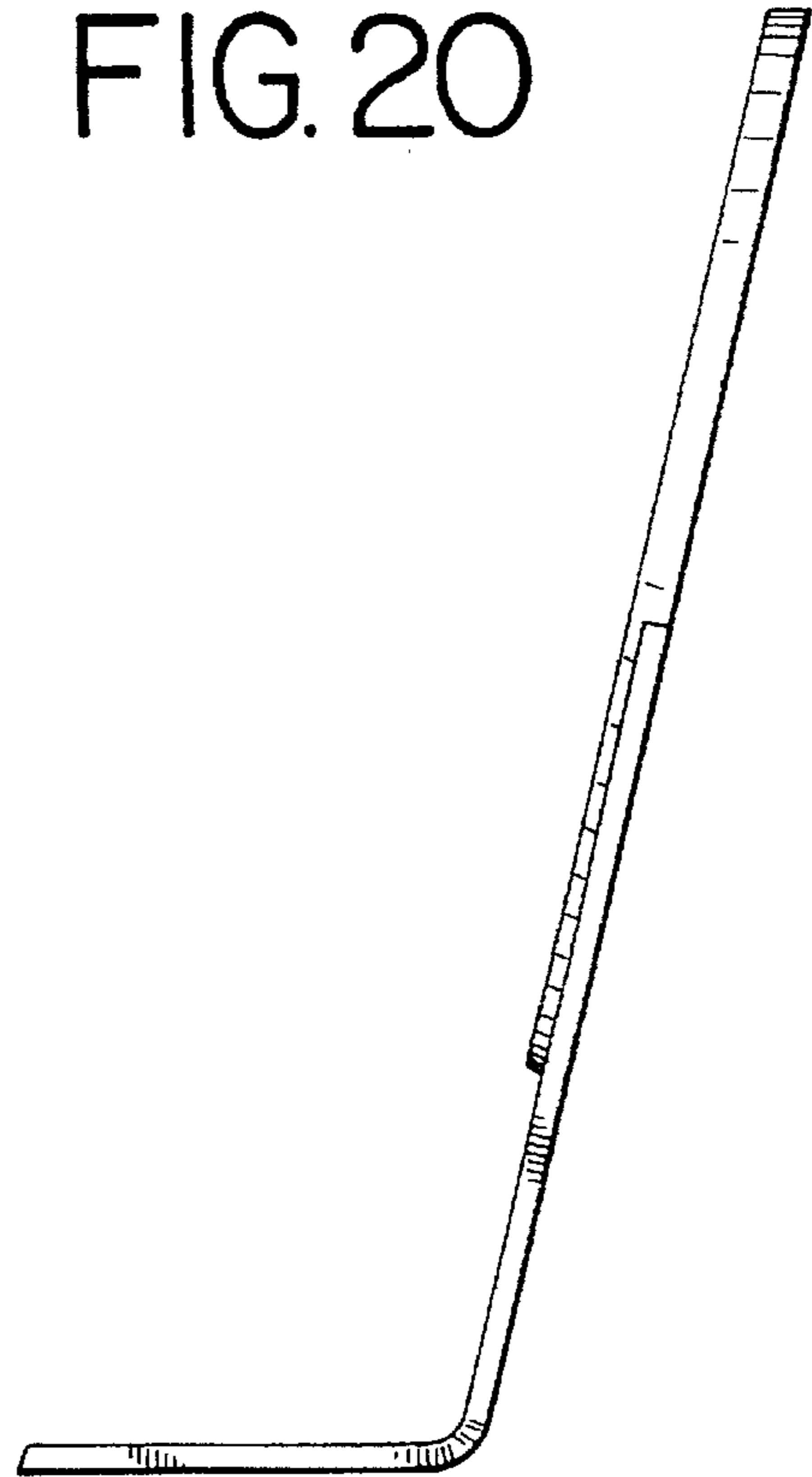


FIG. 19

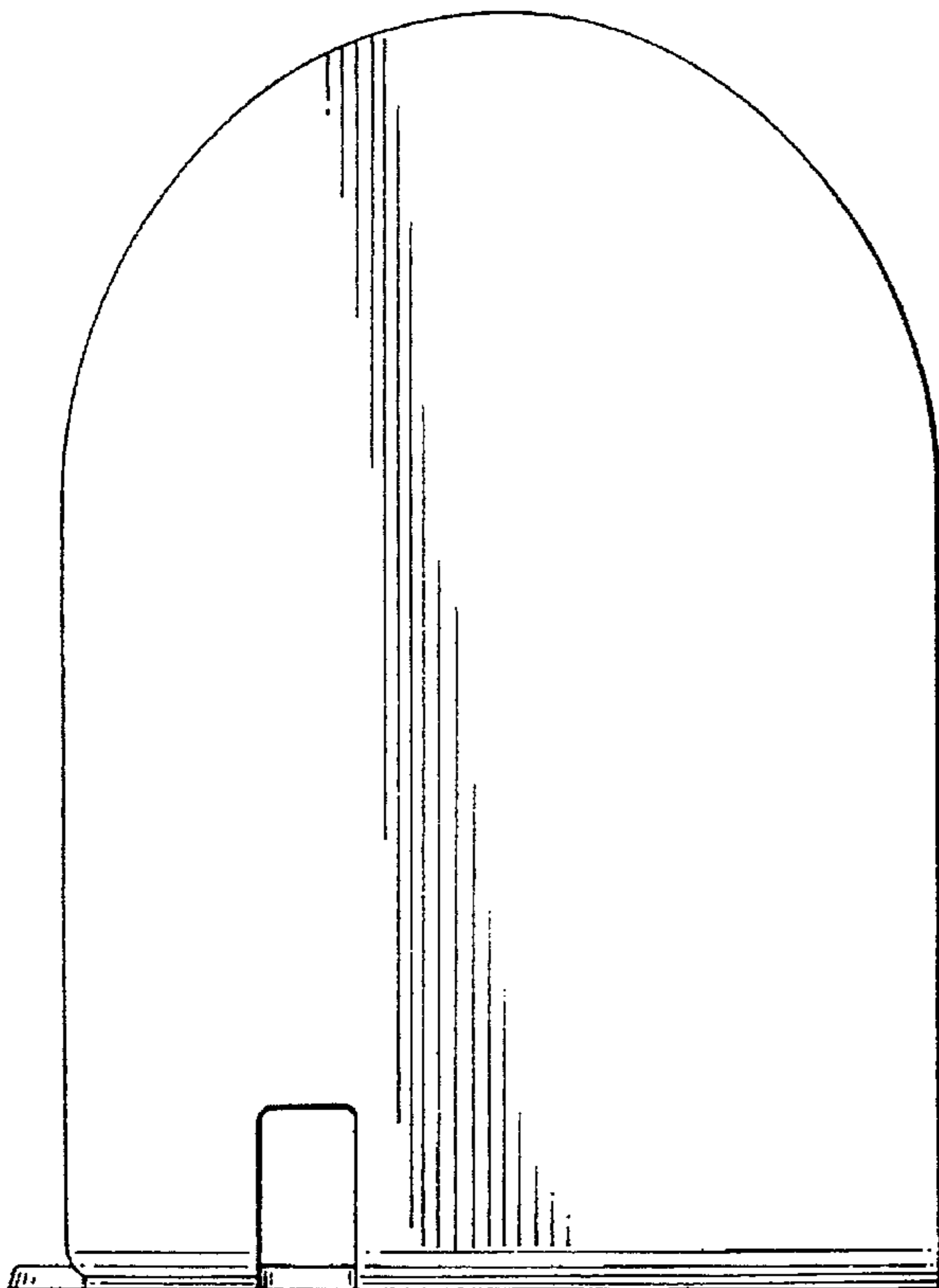


FIG. 21

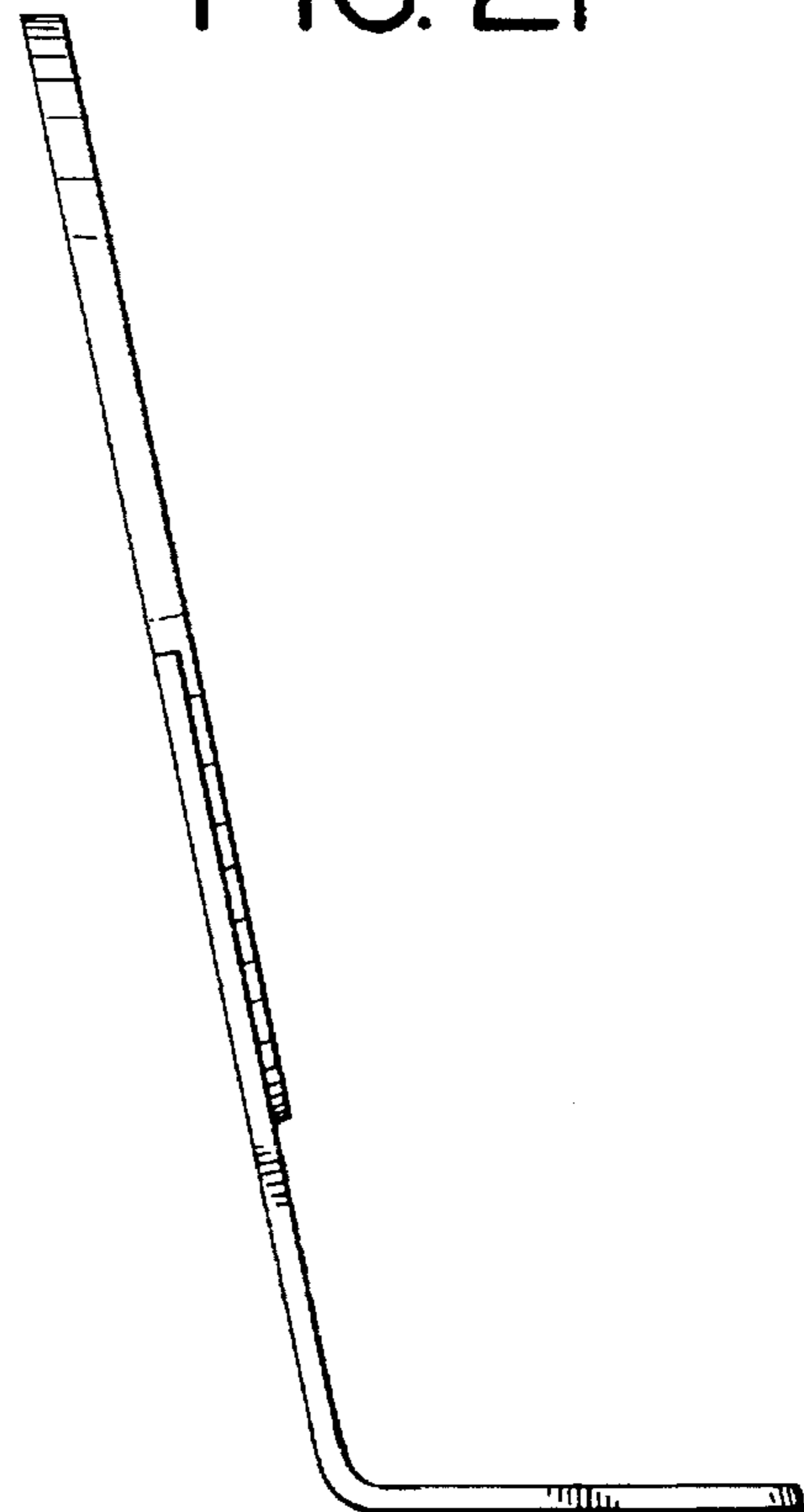


FIG. 23

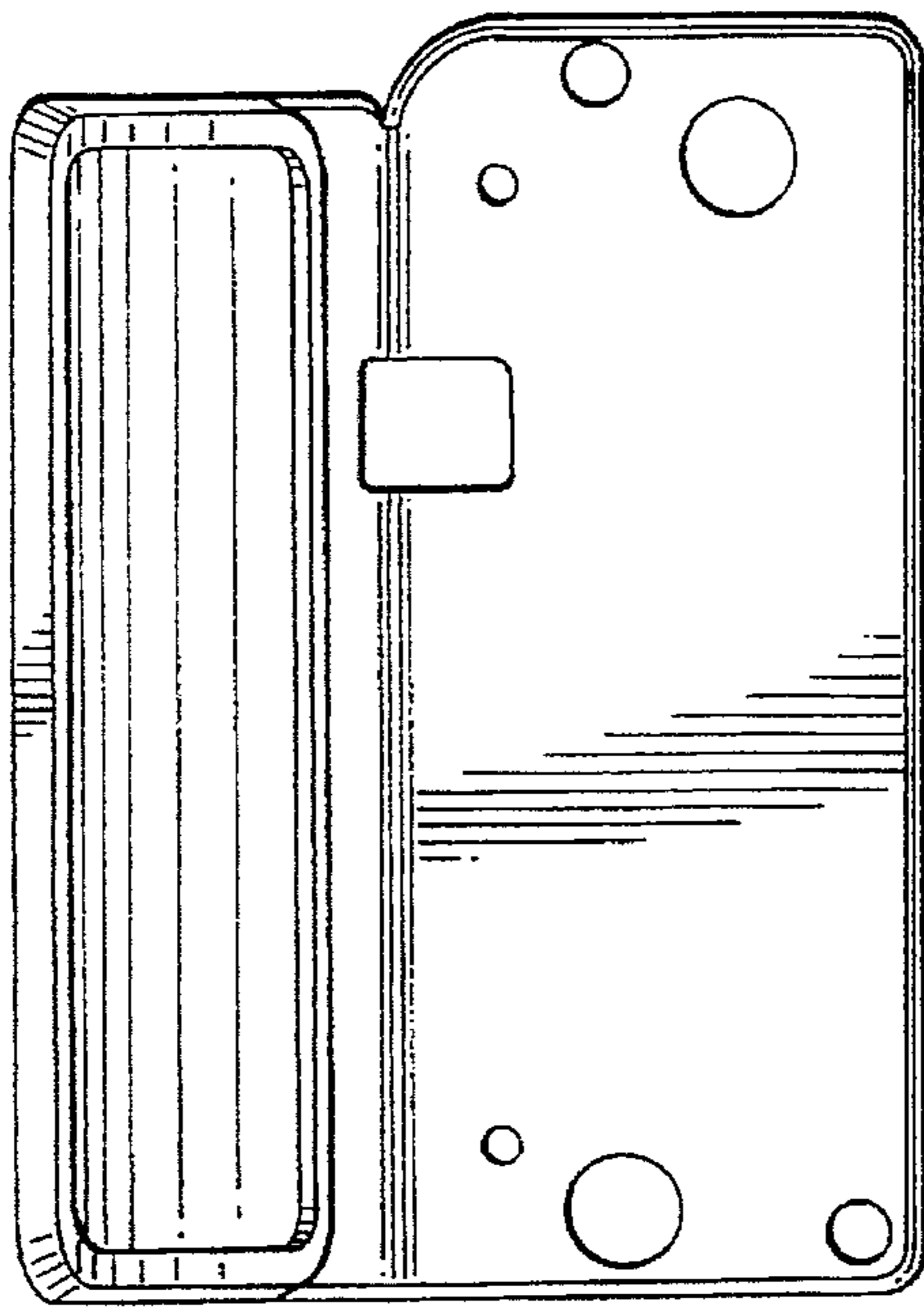


FIG. 24

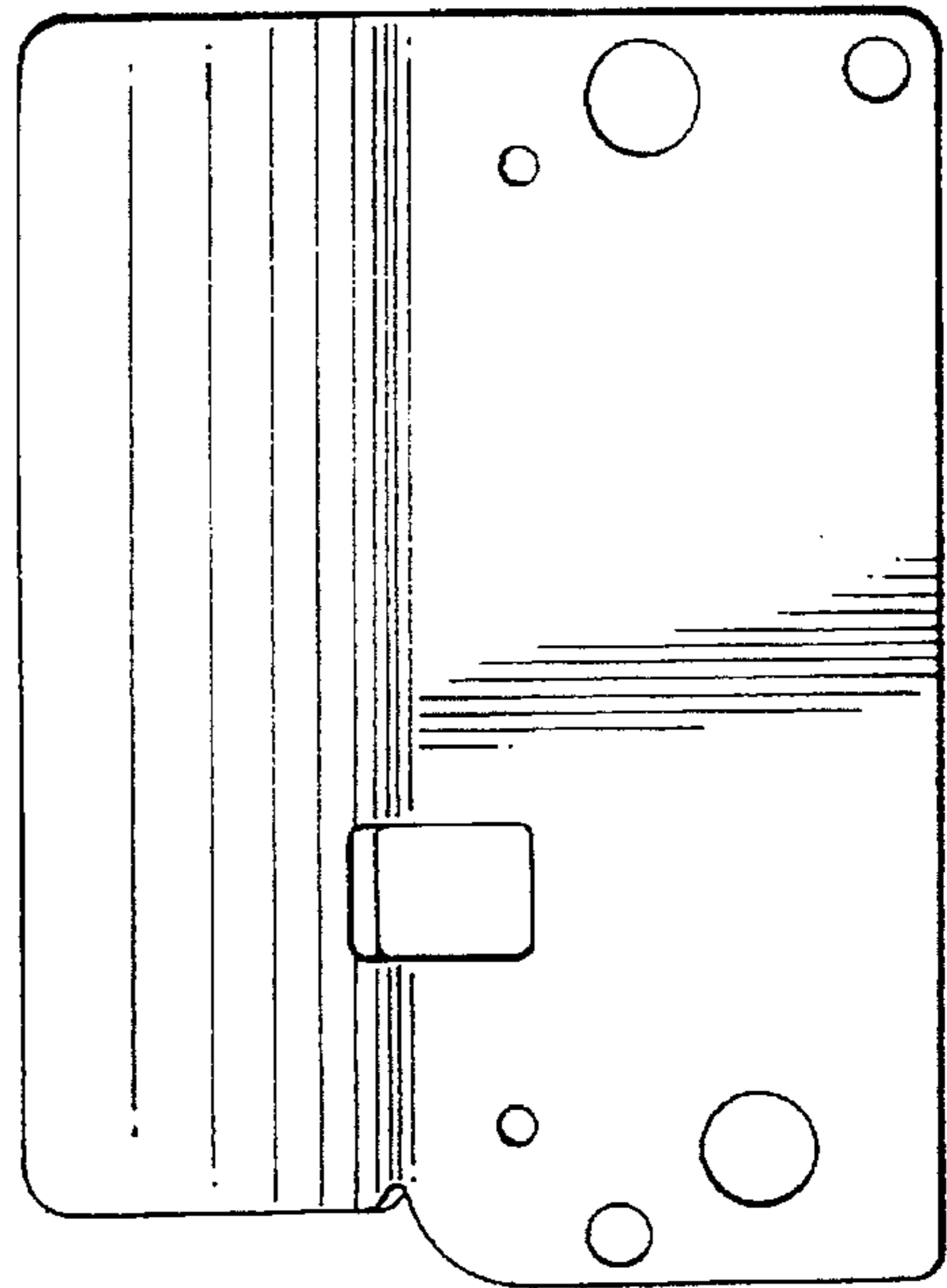


FIG. 22

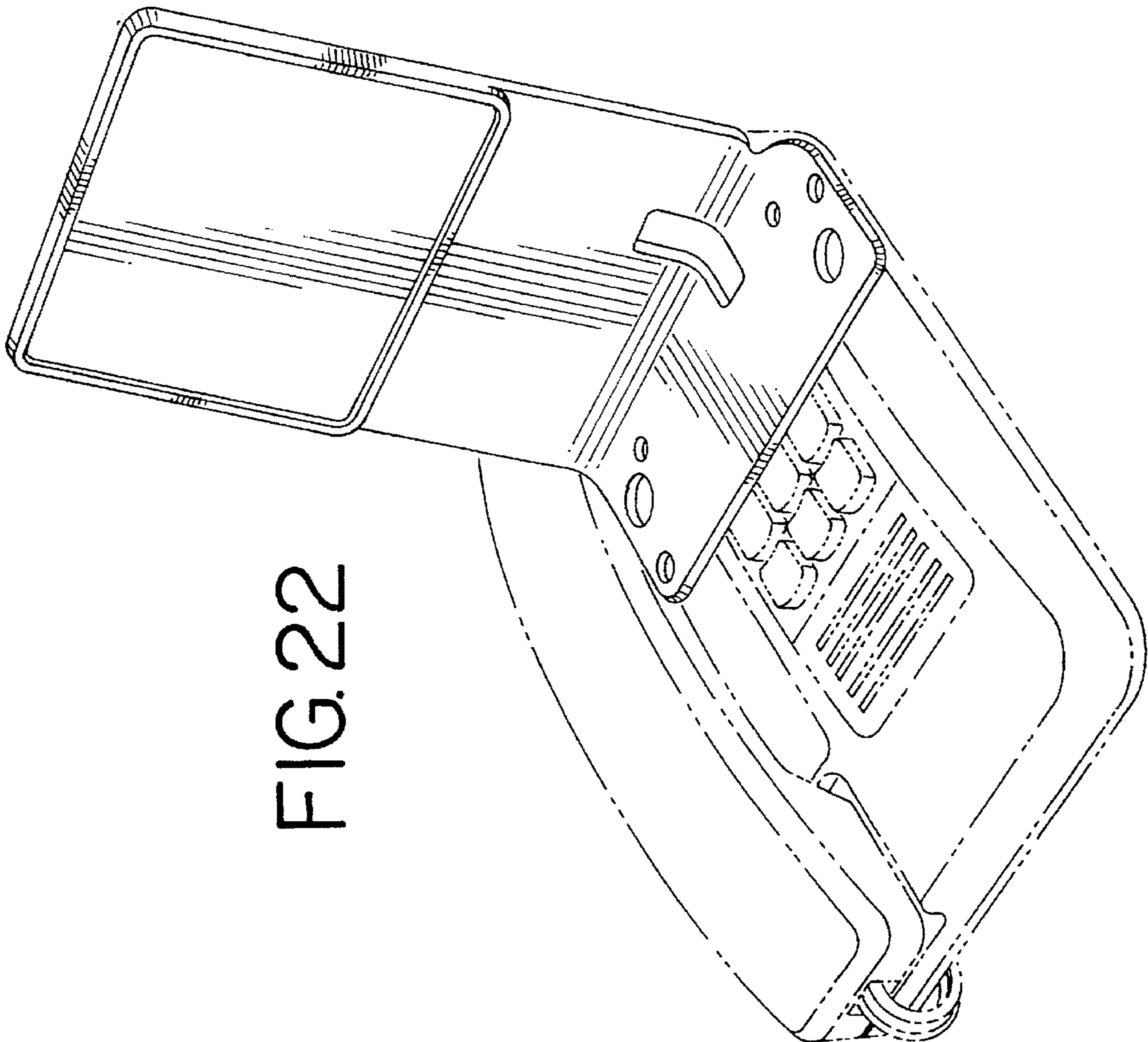


FIG. 25

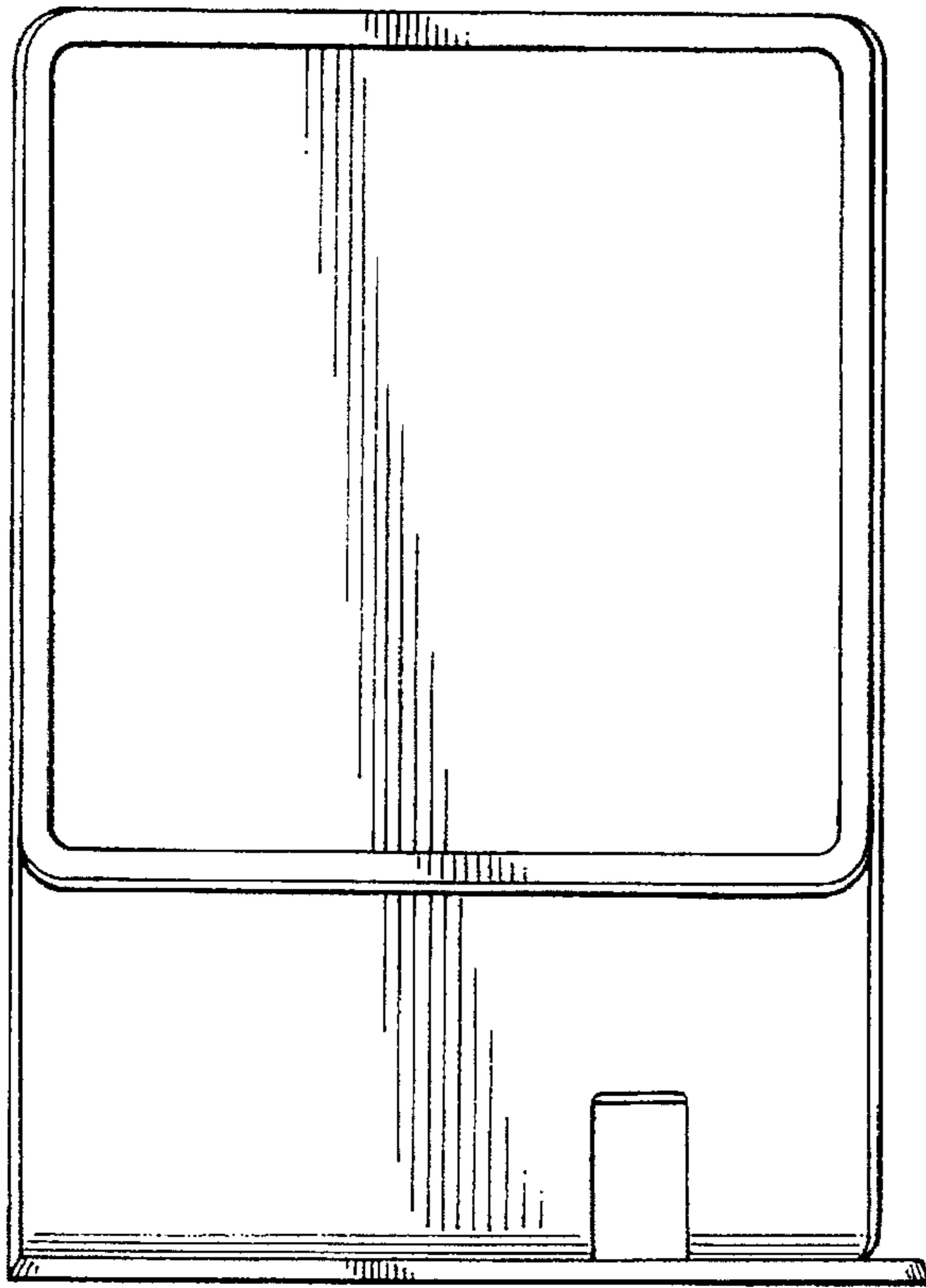


FIG. 27

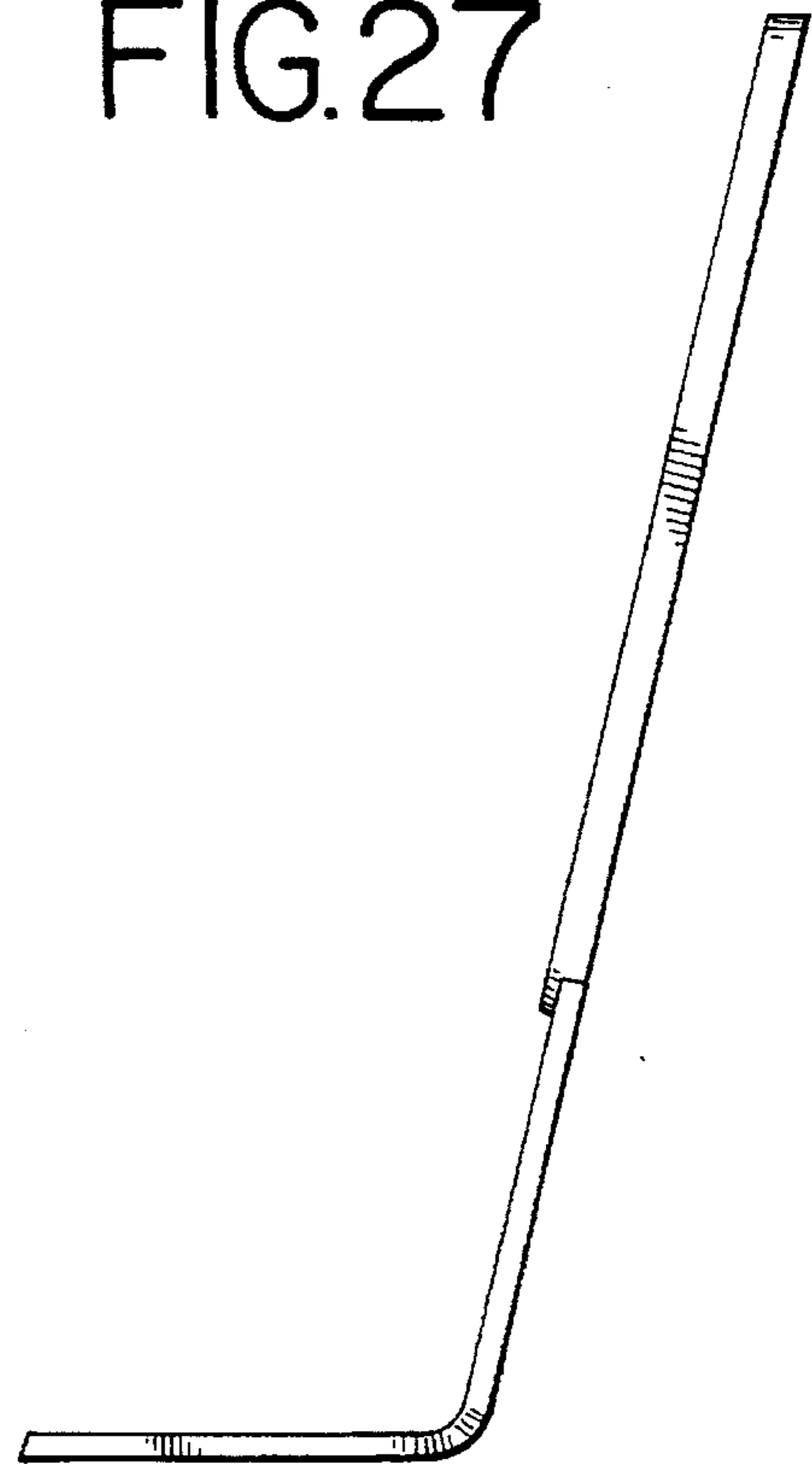


FIG. 26

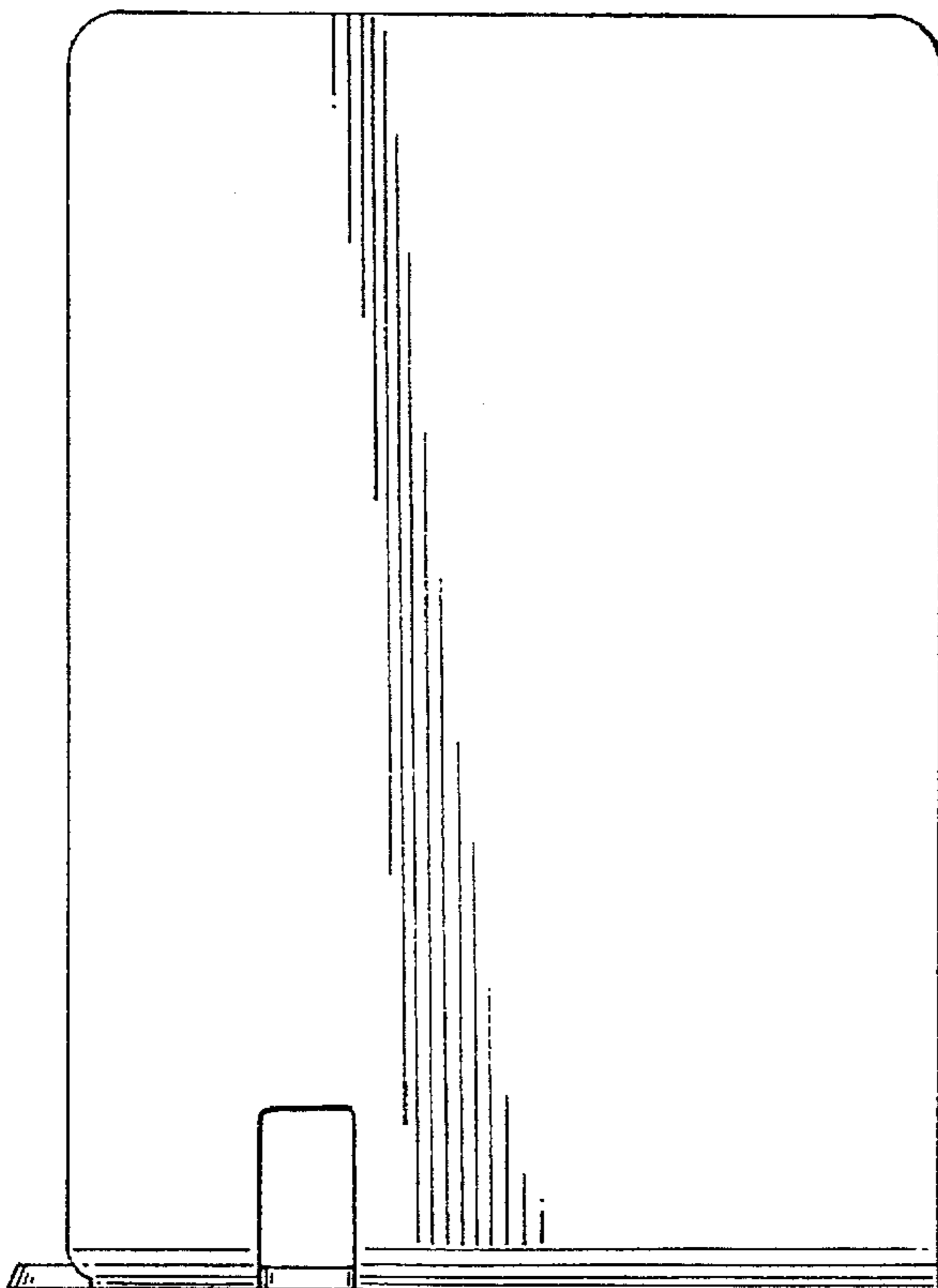


FIG. 28

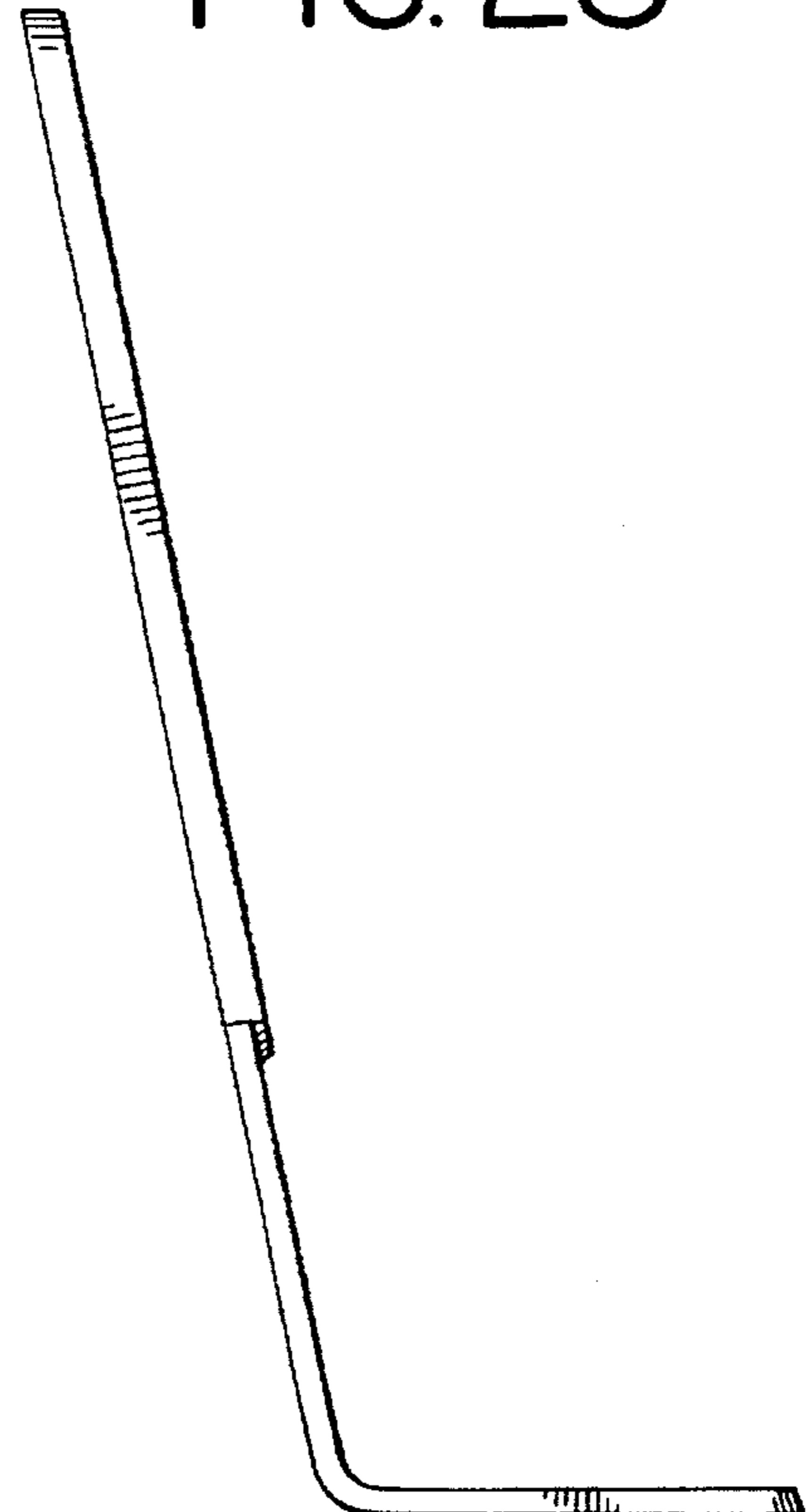


FIG. 30

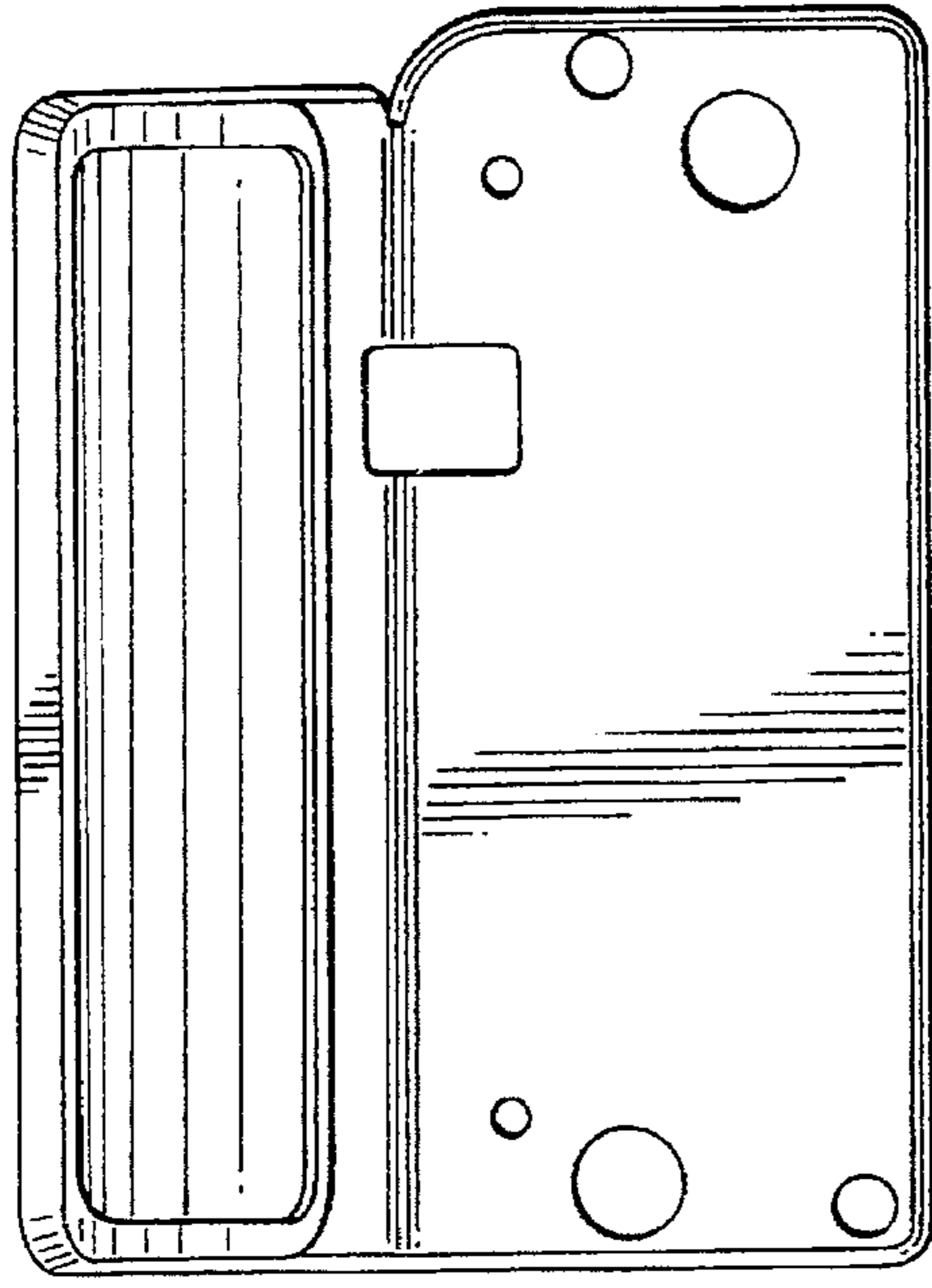


FIG. 31

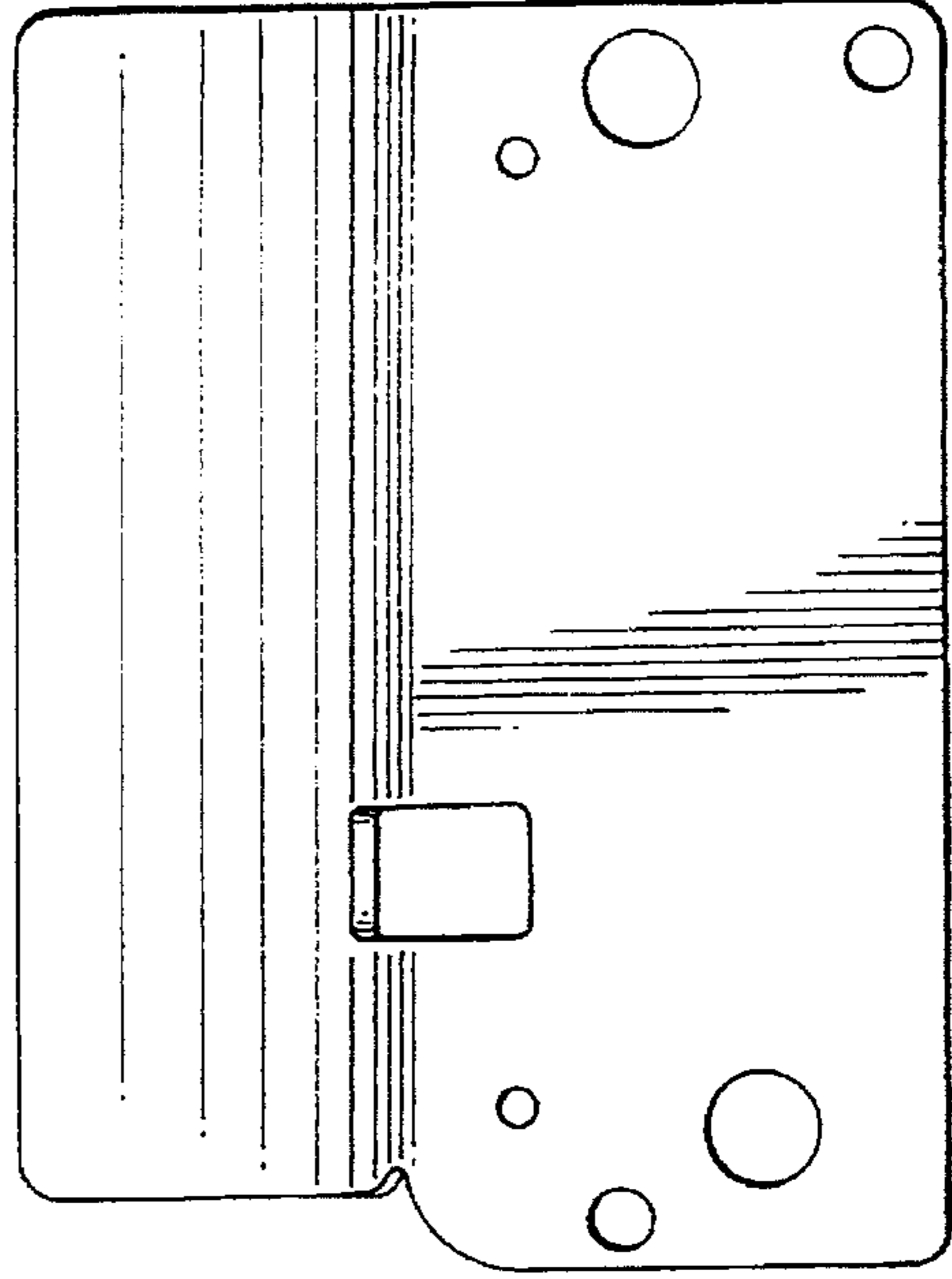


FIG. 29

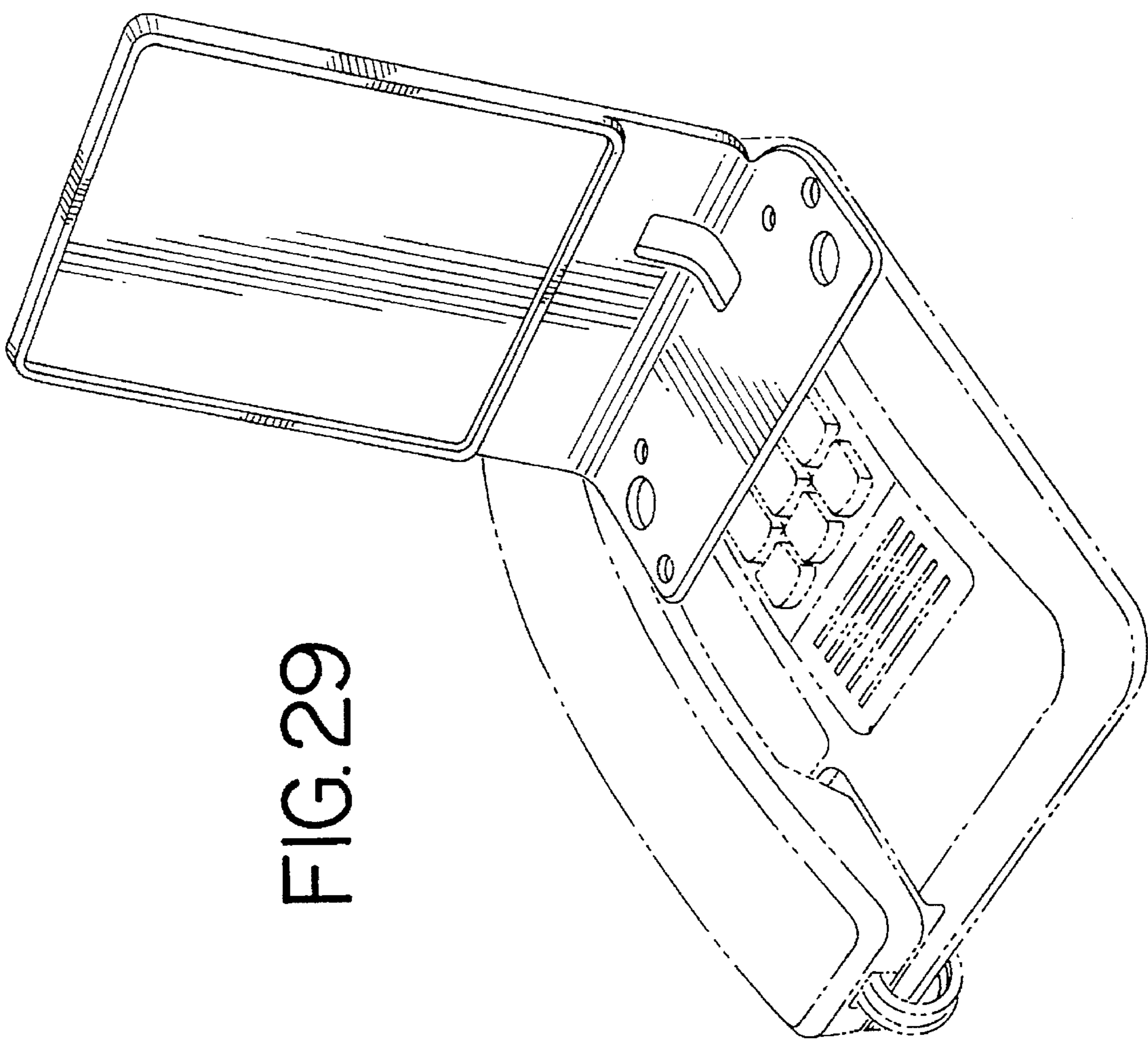


FIG. 32

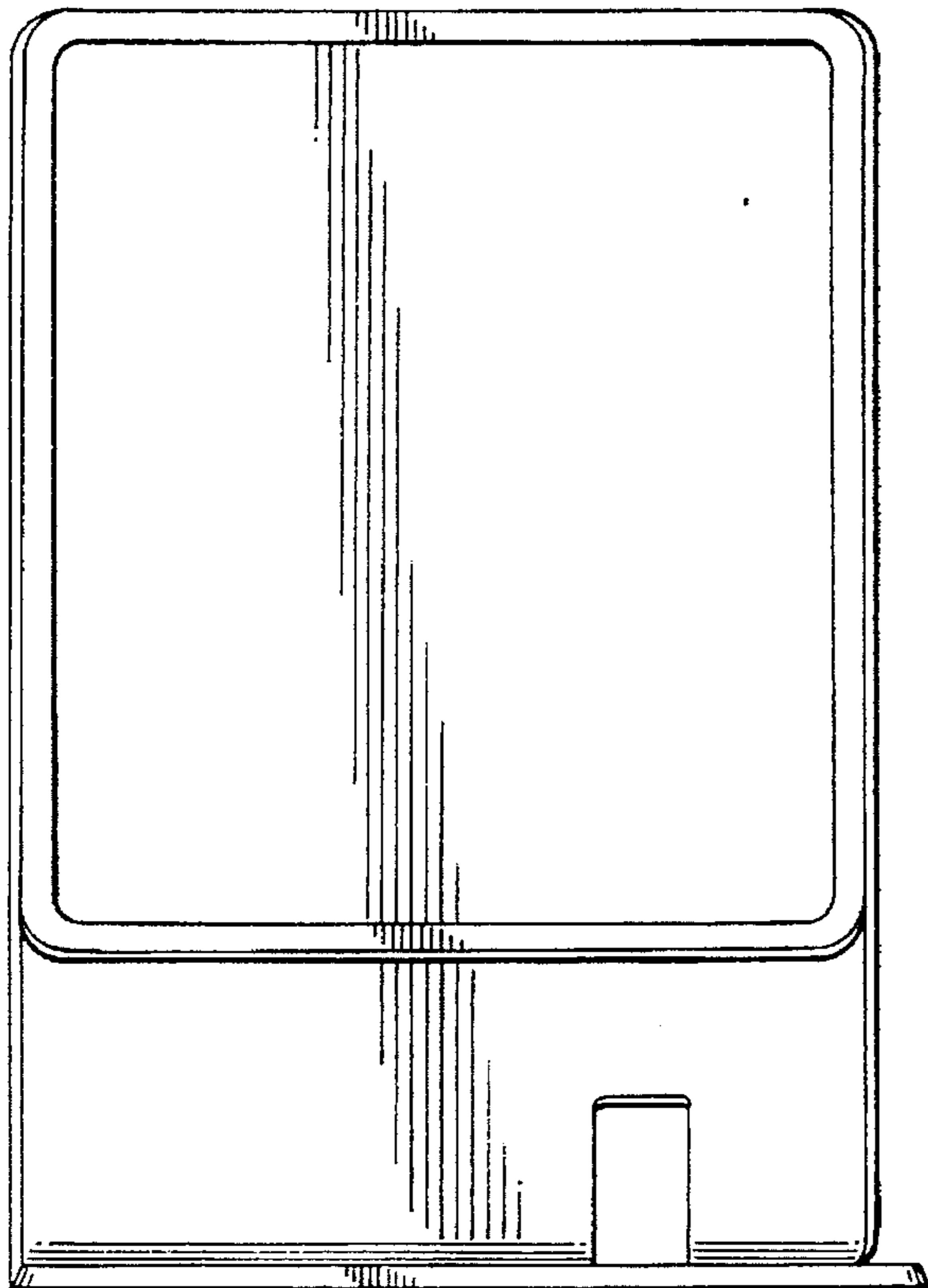


FIG. 34

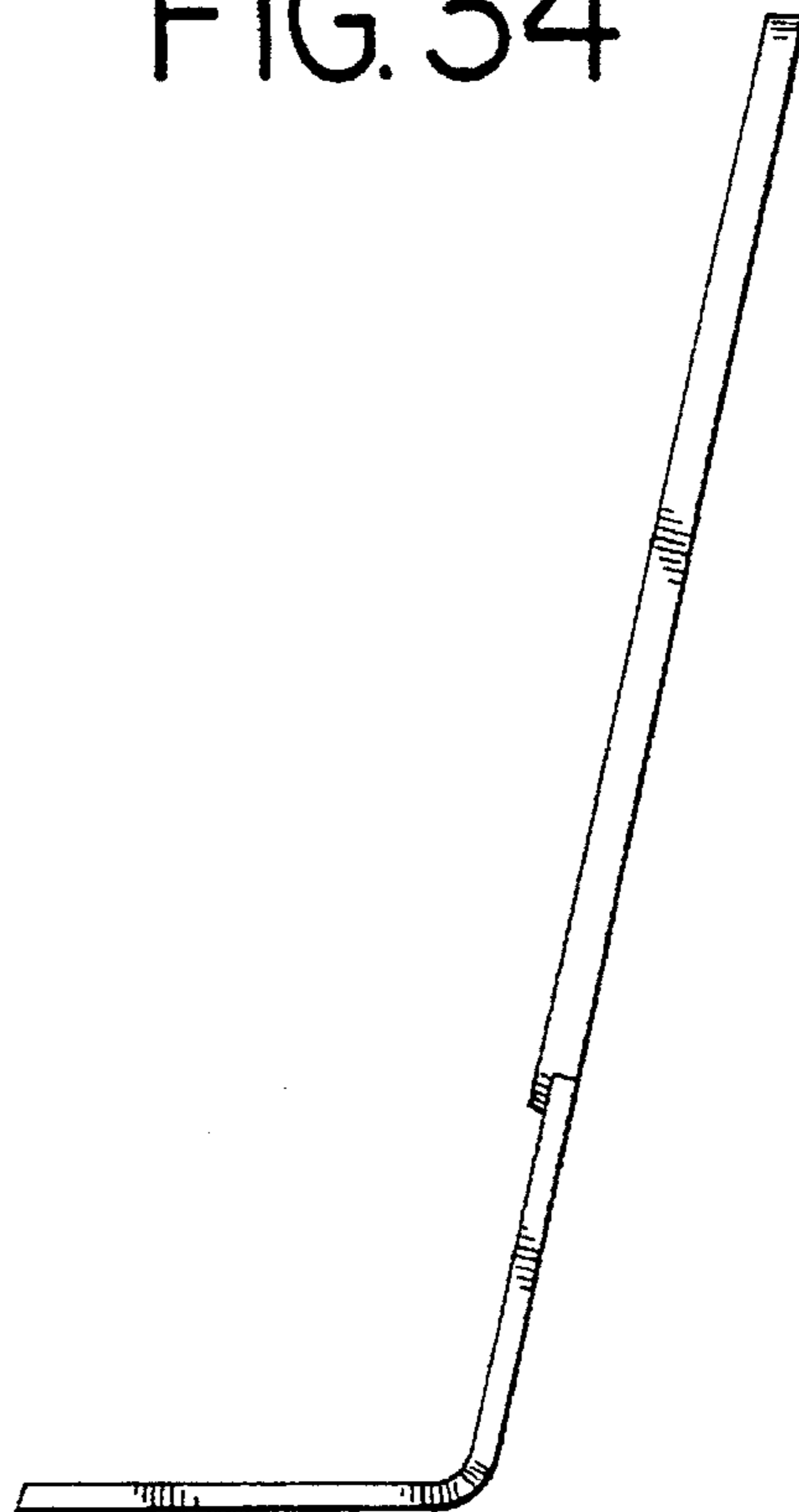


FIG. 33

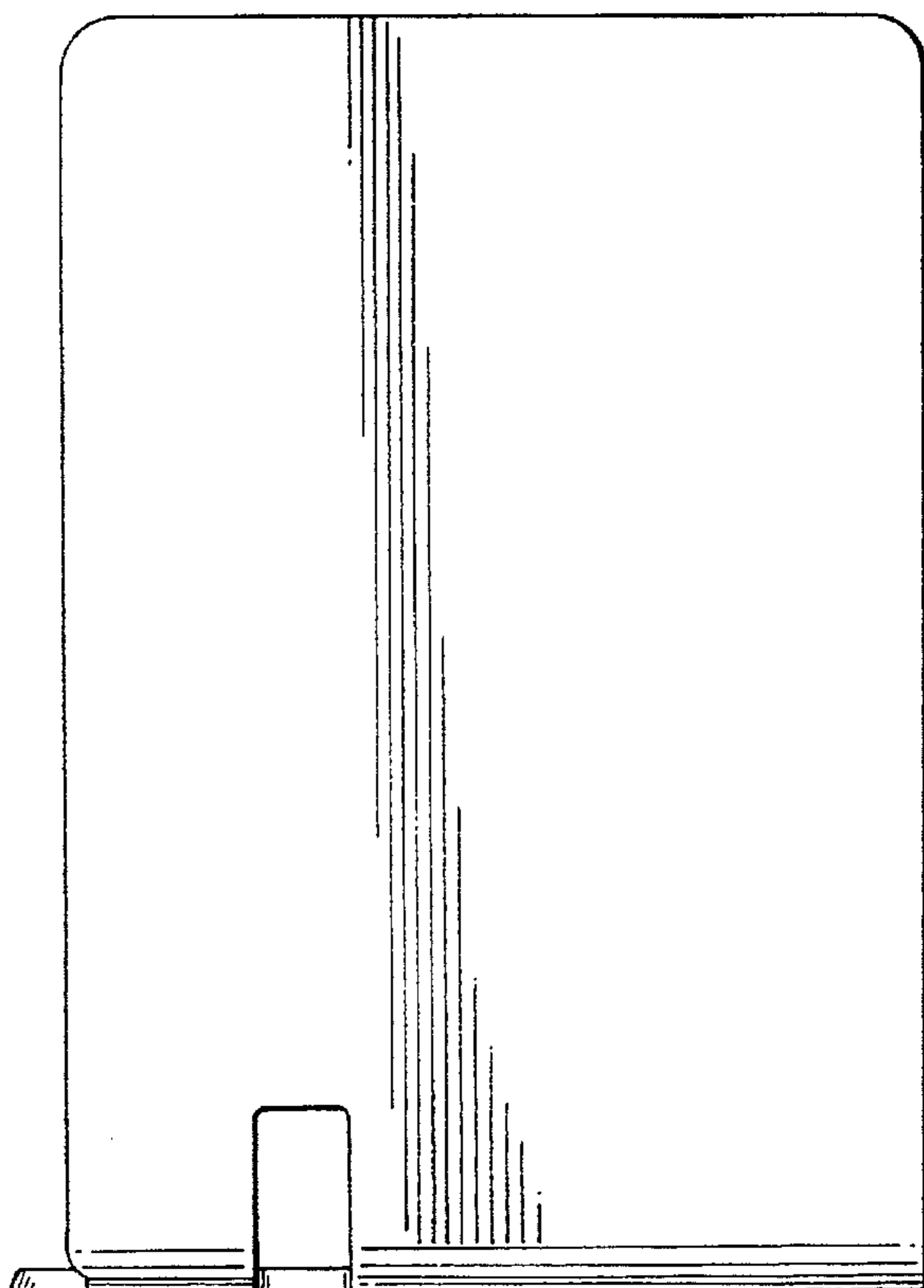


FIG. 35

