



US00D379992S

United States Patent [19]

Aldama et al.

[11] Patent Number: **Des. 379,992**

[45] Date of Patent: ****Jun. 17, 1997**

[54] ANTENNA SYSTEM

[75] Inventors: **Alfredo Aldama**, Miami, Fla.; **Ralph W. Crudo**, Rego Park, N.Y.

[73] Assignee: **Algira Primo Inc.**, Brooklyn, N.Y.

[**] Term: **14 Years**

[21] Appl. No.: **53,594**

[22] Filed: **Apr. 25, 1996**

[51] LOC (6) Cl. **14-03**

[52] U.S. Cl. **D14/230; D14/234**

[58] Field of Search **D14/230, 231, D14/233, 236, 237; 343/700 R, 781 R**

[56] **References Cited**

U.S. PATENT DOCUMENTS

- D. 245,693 9/1977 Bogner D14/236
- D. 311,540 10/1990 Wickrema et al. D14/233

- 2,761,138 8/1956 Sherman 343/781 R
- 3,553,707 1/1971 Yang et al. 343/781 R
- 4,178,576 12/1979 Schmidt, Jr. et al. 343/781 R

Primary Examiner—Dominic Simone
Attorney, Agent, or Firm—Kenyon & Kenyon

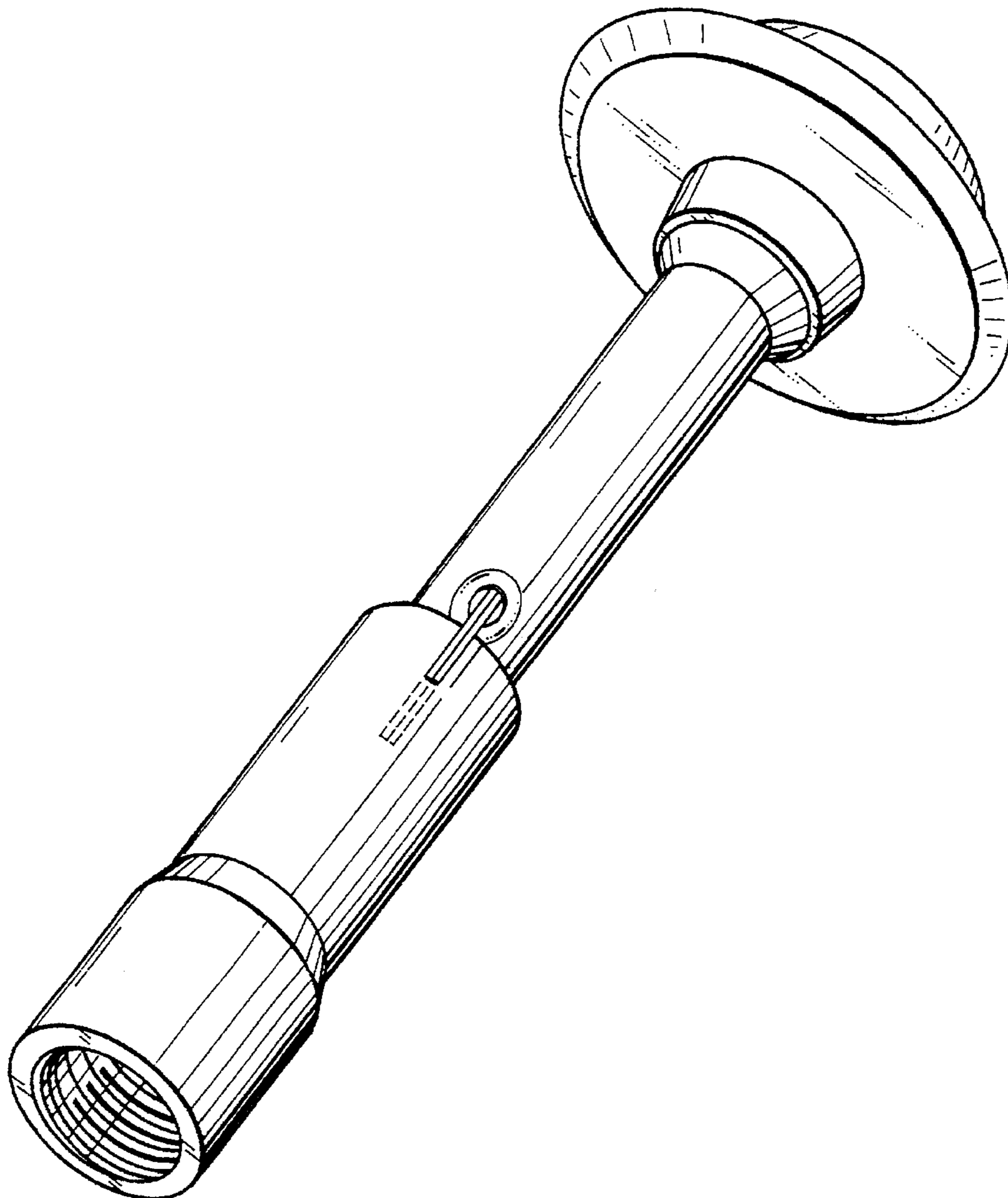
[57] **CLAIM**

The ornamental design for an antenna system, as shown and described.

DESCRIPTION

FIG. 1 is a front elevational view of an antenna system showing our new design;
 FIG. 2 is a right side elevational view thereof, the left side being a mirror image;
 FIG. 3 is a rear elevational view thereof;
 FIG. 4 is a top plan view thereof;
 FIG. 5 is a bottom plan view thereof; and,
 FIG. 6 is a perspective view thereof.

1 Claim, 5 Drawing Sheets



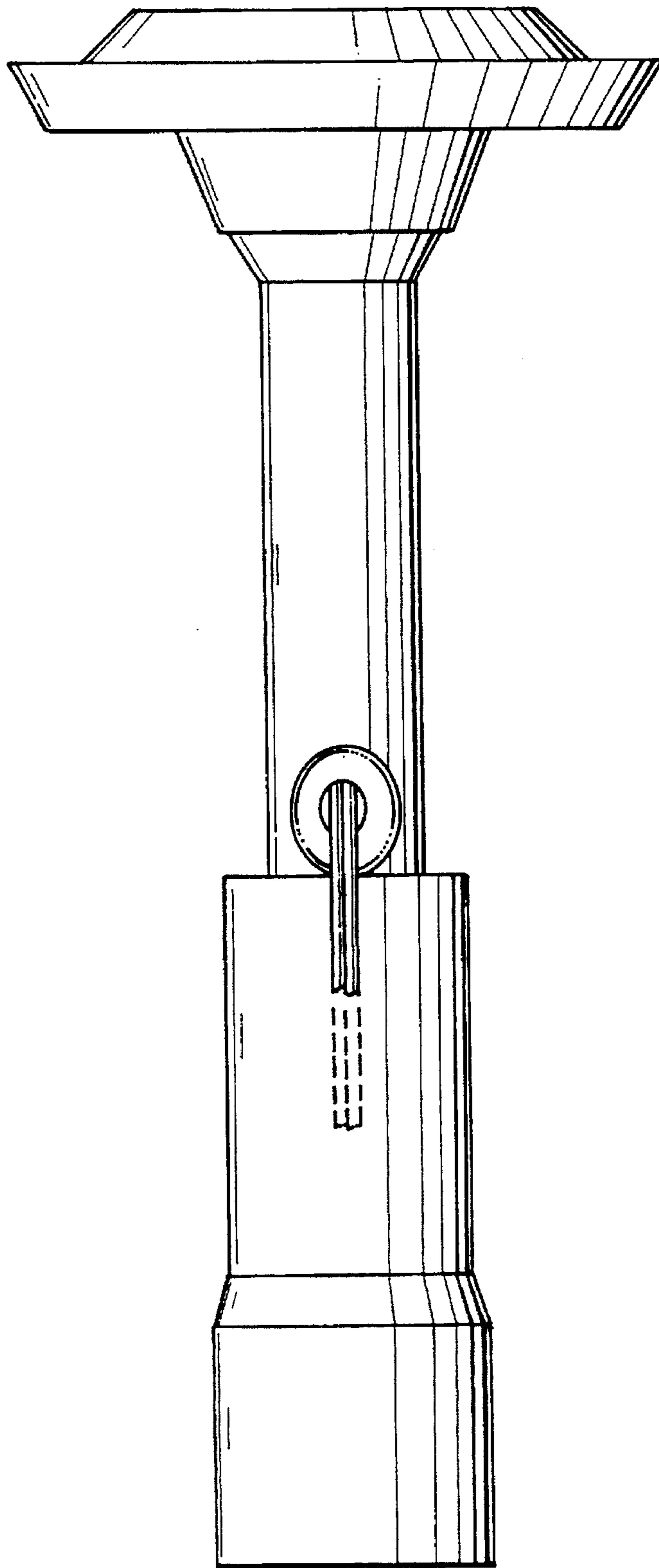


FIG. 1

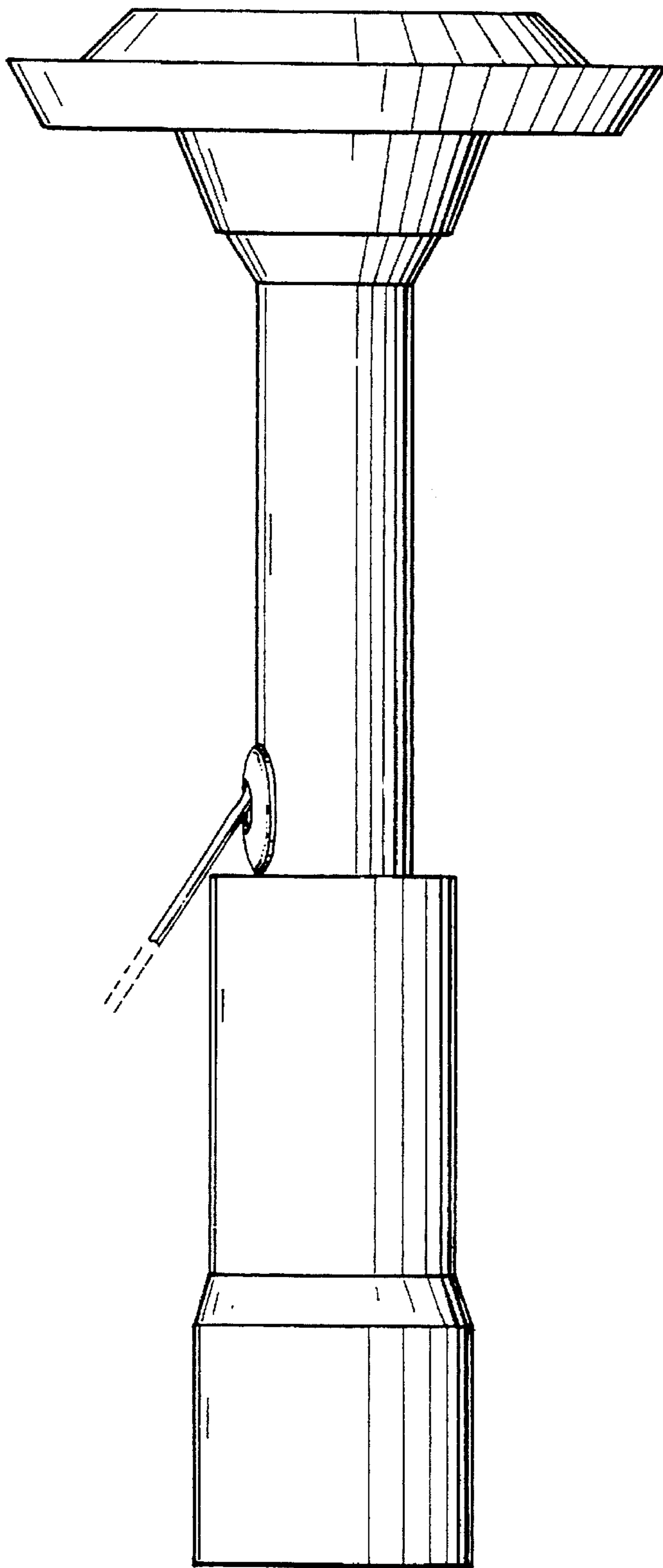


FIG. 2

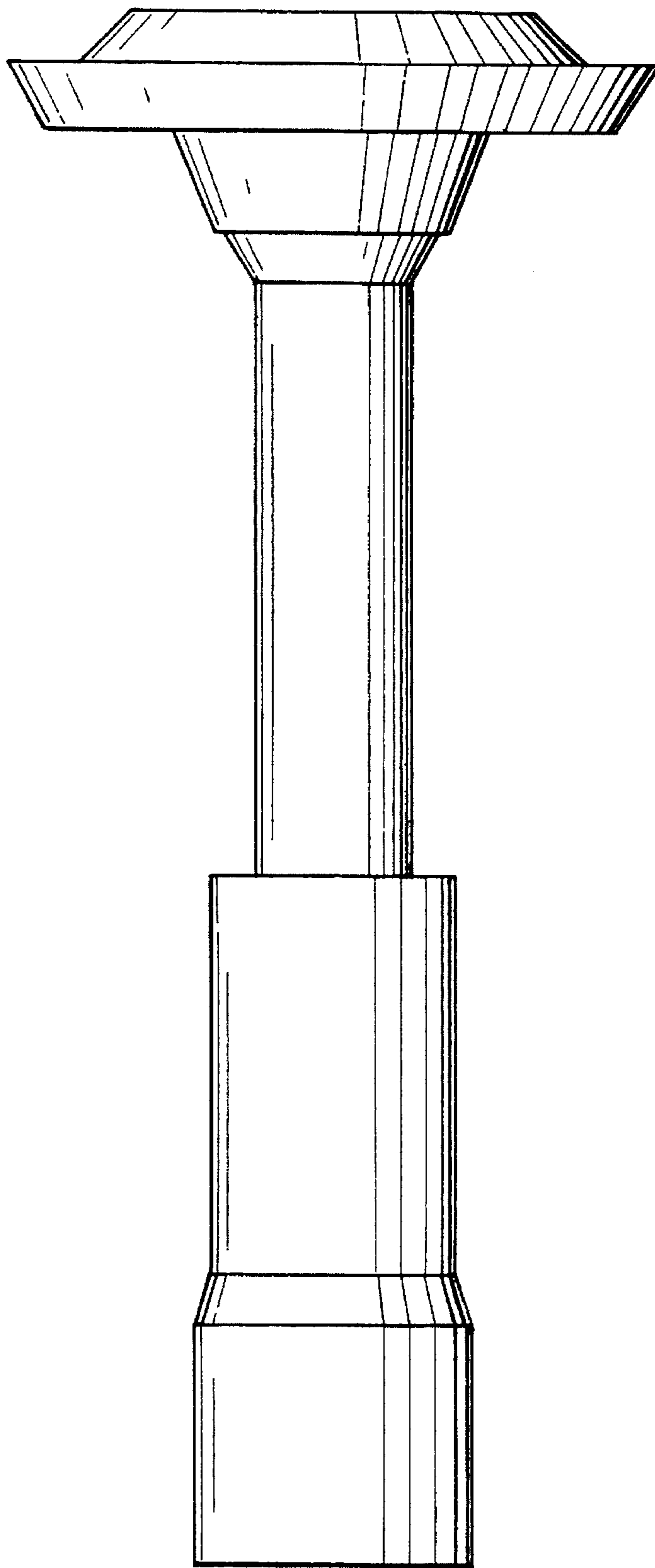


FIG. 3

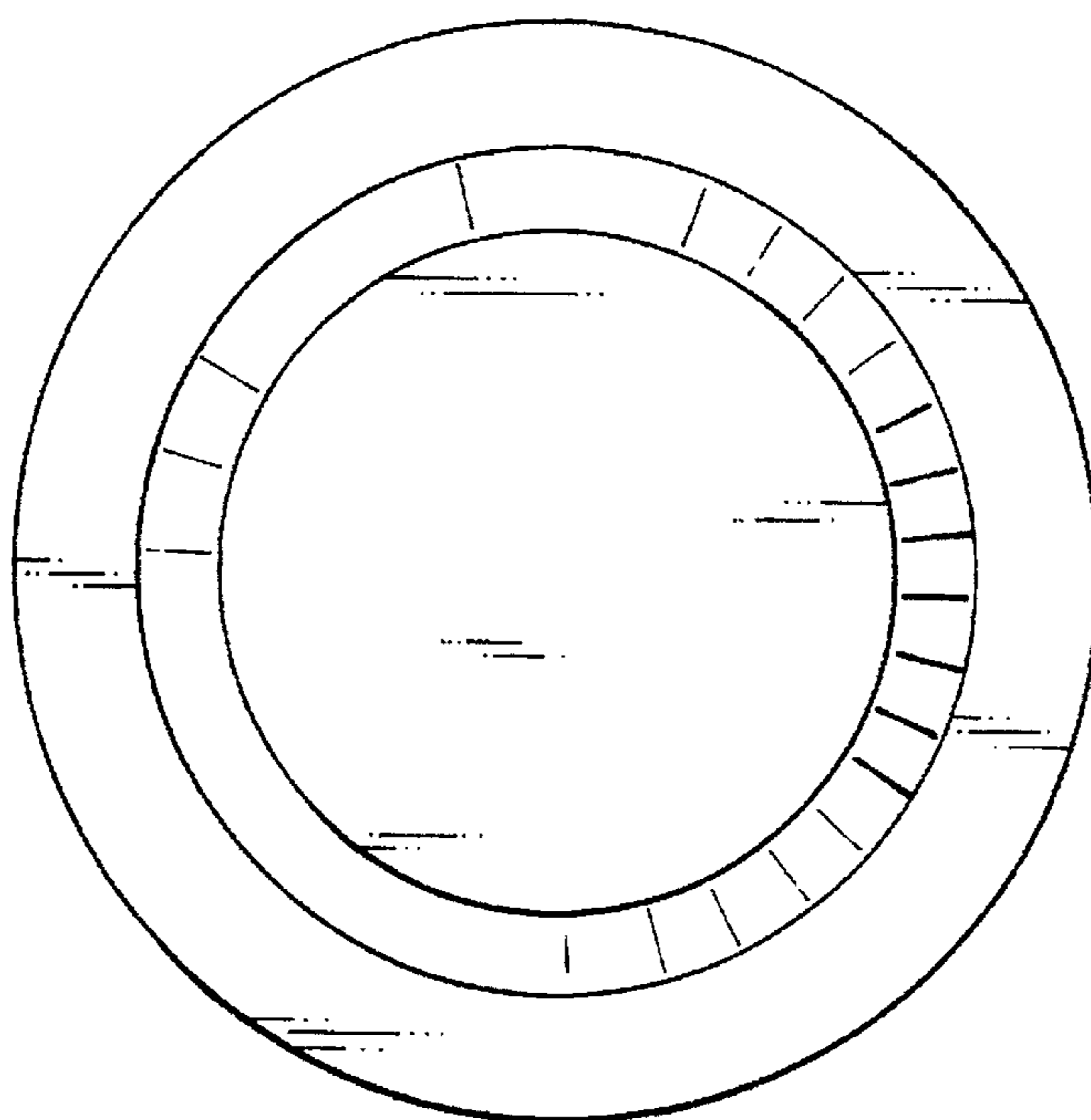


FIG. 4

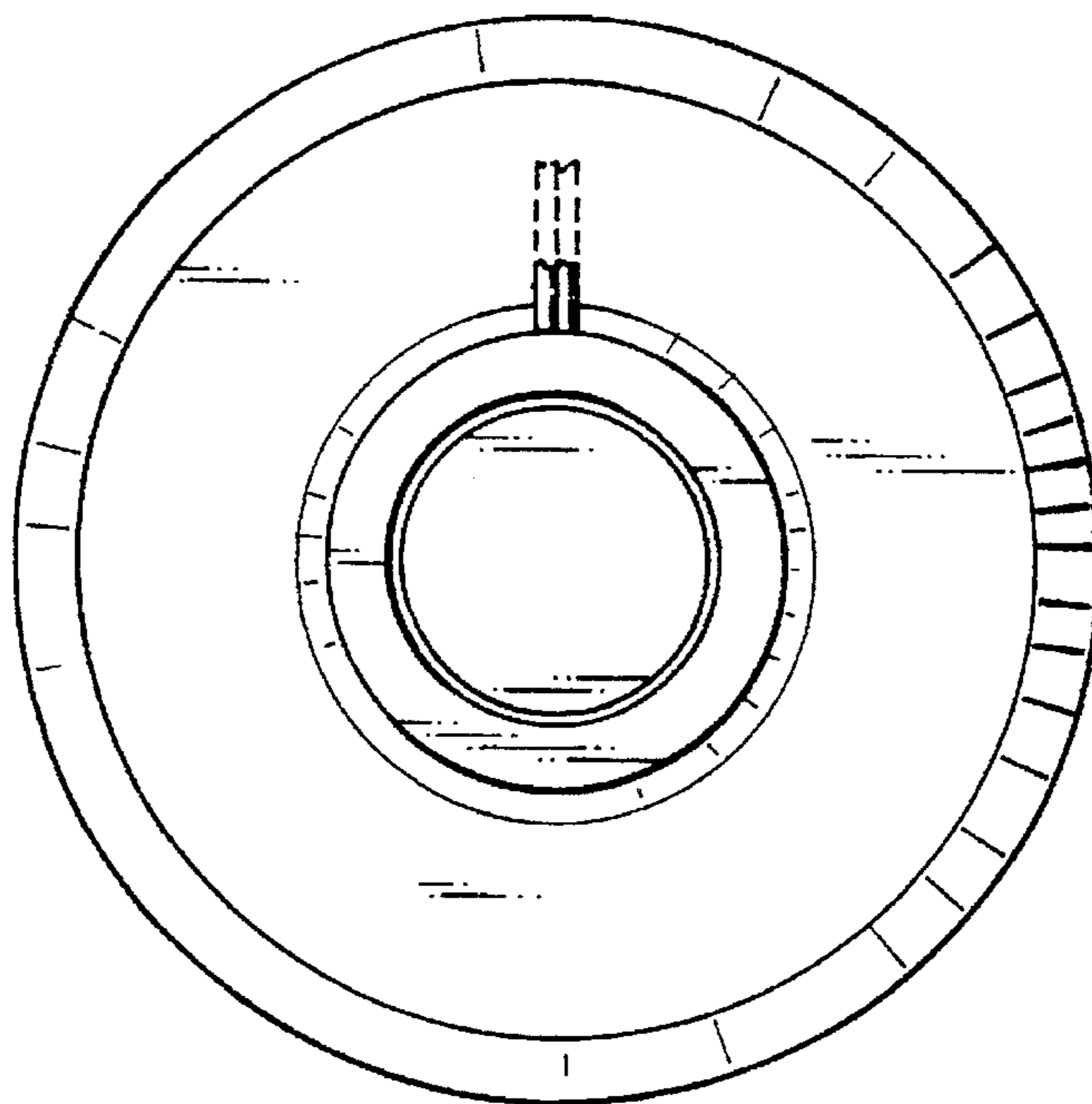


FIG. 5

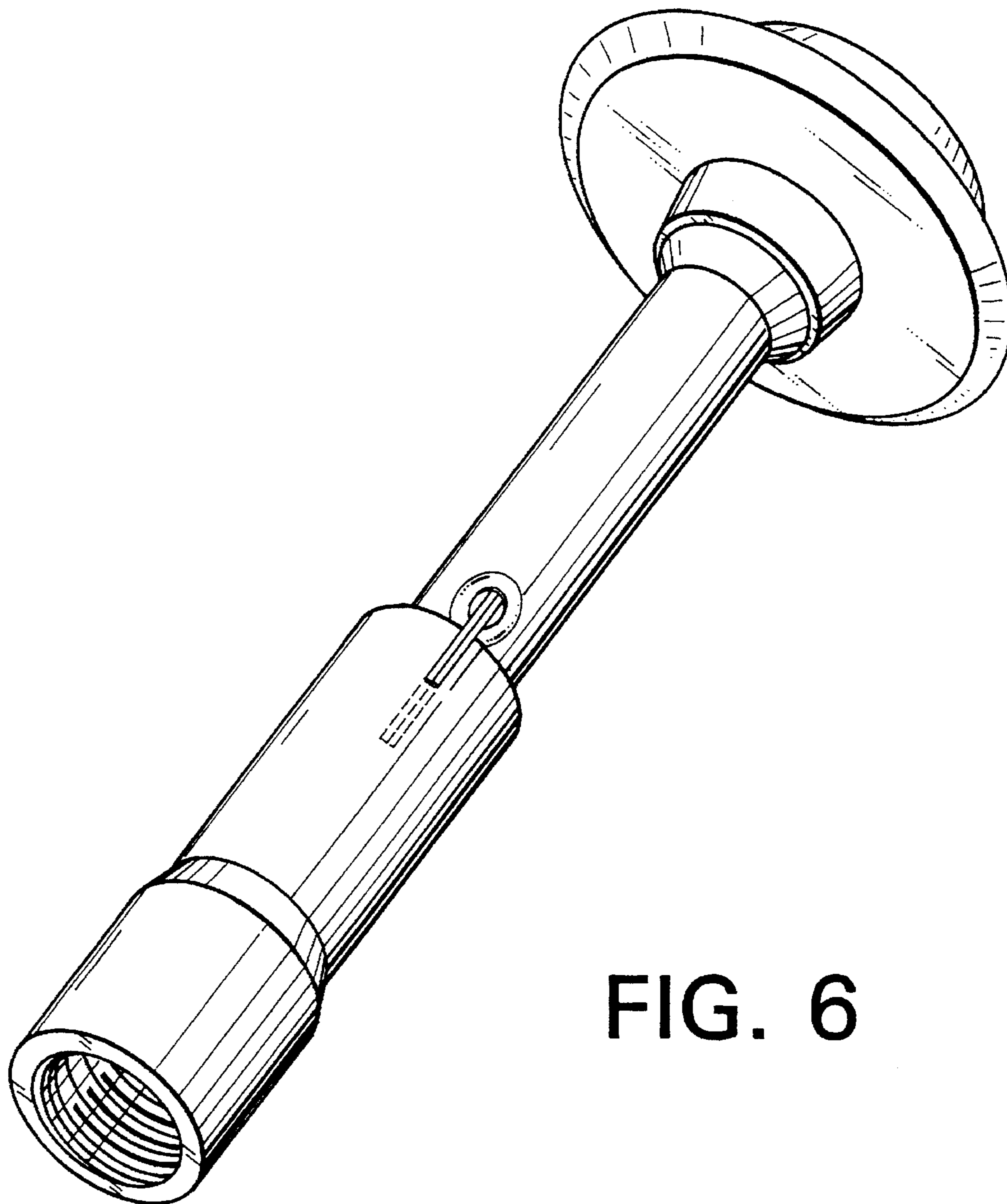


FIG. 6