



US00D379983S

United States Patent [19] Shindou

[11] Patent Number: Des. 379,983

[45] Date of Patent: **Jun. 17, 1997

[54] WIRELESS TELEPHONE

[75] Inventor: Kouji Shindou, Tokyo, Japan

[73] Assignee: Sony Corporation, Tokyo, Japan

[**] Term: 14 Years

[21] Appl. No.: 52,283

[22] Filed: Mar. 27, 1996

[30] Foreign Application Priority Data

Sep. 28, 1995 [JP] Japan 7-28650

[51] LOC (6) Cl. 14-03

[52] U.S. Cl. D14/138; D14/147

[58] Field of Search D14/137, 138,
D14/147, 148, 149-151, 240, 248, 140,
142; 379/58-61, 433-436, 419, 420, 428,
440; 455/89, 90; 343/872; 361/686

[56] References Cited

U.S. PATENT DOCUMENTS

D. 306,294	2/1990	Watanabe	D14/138	X
D. 319,441	8/1991	Konno et al.	D14/138	X
D. 345,158	3/1994	Namba et al.	D14/138	
D. 345,356	3/1994	Ando et al.	D14/138	
D. 355,182	2/1995	Namba	D14/148	
D. 363,281	10/1995	Buhrmann	D14/248	X
D. 369,598	5/1996	Nagele et al.	D14/138	
5,336,099	8/1994	Aldous et al.	361/686	X
5,361,061	11/1994	Mays et al.	343/872	X
5,373,149	12/1994	Rasmussen	361/686	X
5,436,954	7/1995	Nishiyama et al.	379/433	X

FOREIGN PATENT DOCUMENTS

2-274046	11/1990	Japan	D14/147	X
6-152459	5/1994	Japan	455/90	
6-164440	6/1994	Japan	455/90	
2281480	3/1995	United Kingdom	455/90	

Primary Examiner—Jeffrey Asch
Attorney, Agent, or Firm—Foley & Lardner

[57] CLAIM

The ornamental design for a wireless telephone, as shown and described.

DESCRIPTION

FIG. 1 is a top, left perspective view of a wireless telephone showing my new design;
 FIG. 2 is a top, left perspective view thereof wherein the antenna is in the extended position;
 FIG. 3 is a bottom, rear perspective view thereof, wherein the keyboard portion is in the closed position;
 FIG. 4 is an exploded bottom rear perspective view with the keyboard in the closed position and the cap portion exploded from the main body;
 FIG. 5 is a top plan view thereof;
 FIG. 6 is a left side elevational view thereof;
 FIG. 7 is a front elevational view thereof;
 FIG. 8 is a bottom plan view thereof;
 FIG. 9 is a right side elevational view thereof;
 FIG. 10 is a rear elevational view thereof;
 FIG. 11 is a reference perspective view thereof, wherein the wireless telephone is in the using condition;
 FIG. 12 is a reference perspective view thereof, wherein the wireless telephone is in the using condition with the antenna is in the extended position, the portions shown in broken lines in FIGS. 11 and 12 are for an illustrative purpose only and form no part of the claimed design;
 FIG. 13 is a top, left perspective view of a second embodiment of a wireless telephone showing my new design;
 FIG. 14 is a top, left perspective view of the embodiment of FIG. 13 wherein the antenna is in the extended position;
 FIG. 15 is a bottom, rear perspective view the embodiment of FIG. 13, wherein the keyboard portion is in the closed position;
 FIG. 16 is an exploded bottom rear perspective view of the embodiment of FIG. 13 with the keyboard in the closed position and the cap portion exploded from the main body;
 FIG. 17 is a top plan view the embodiment of FIG. 13;
 FIG. 18 is a left side elevational view the embodiment of FIG. 13;
 FIG. 19 is a front elevational view the embodiment of FIG. 13;
 FIG. 20 is a bottom plan view the embodiment of FIG. 13;
 FIG. 21 is a right side elevation view the embodiment of FIG. 13;

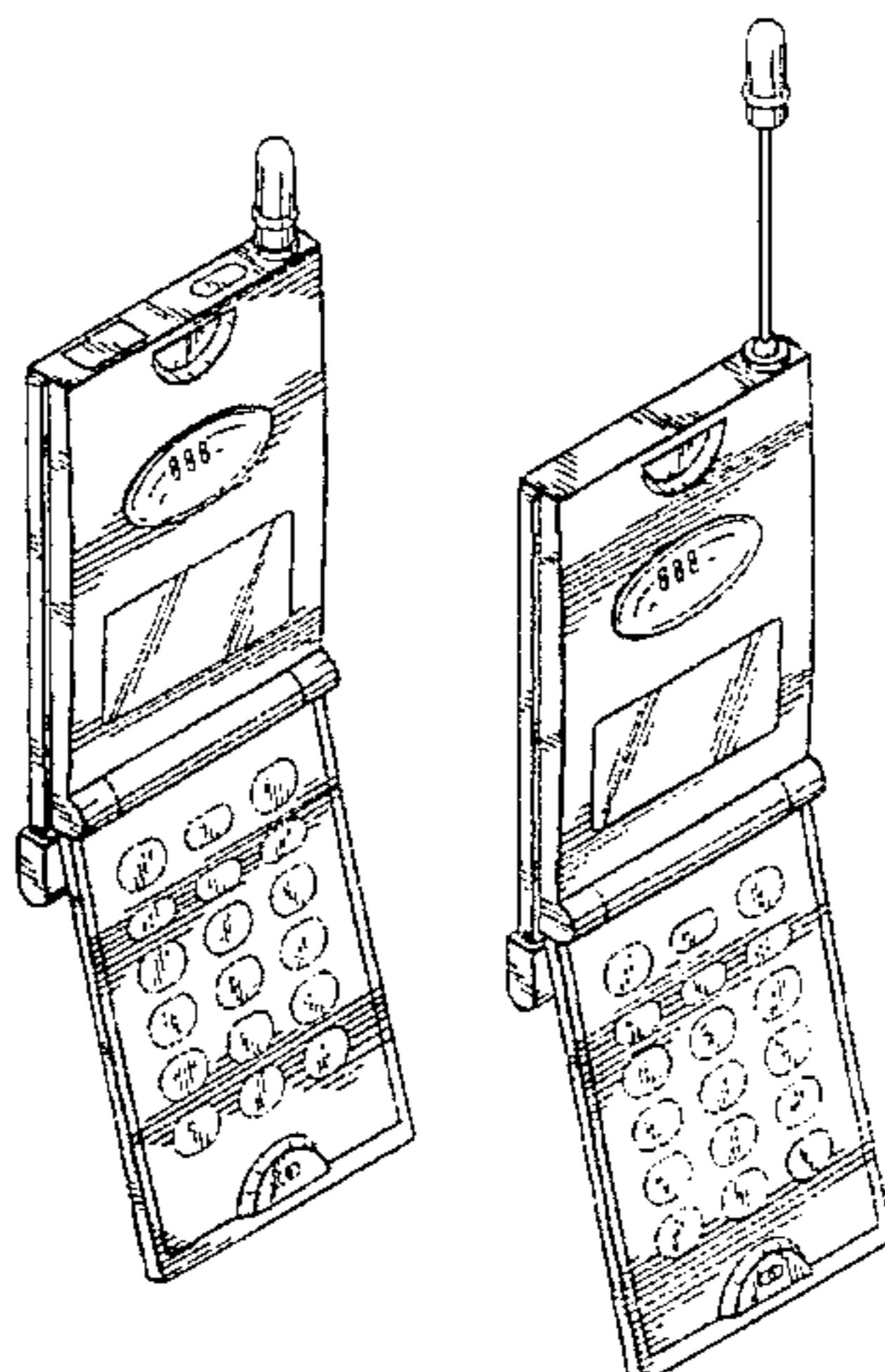


FIG. 22 is a rear elevational view the embodiment of FIG. 13;

FIG. 23 is a reference perspective view the embodiment of FIG. 13, wherein the wireless telephone is in the using condition; and,

FIG. 24 is a reference perspective view the embodiment of FIG. 13, wherein the wireless telephone is in the using condition with the antenna is in the extended position, the portions shown in broken lines in FIGS. 23 and 24 are for illustrative purposes only and form no part of the claimed design.

1 Claim, 8 Drawing Sheets

FIG. 1

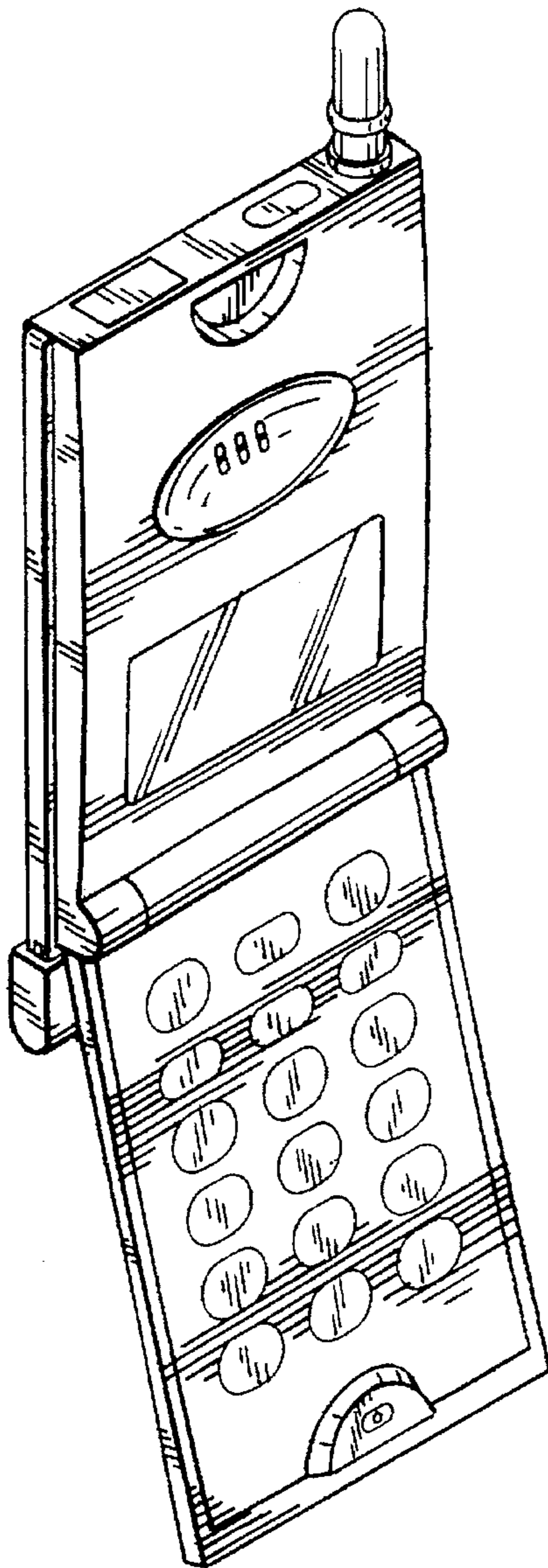


FIG. 2

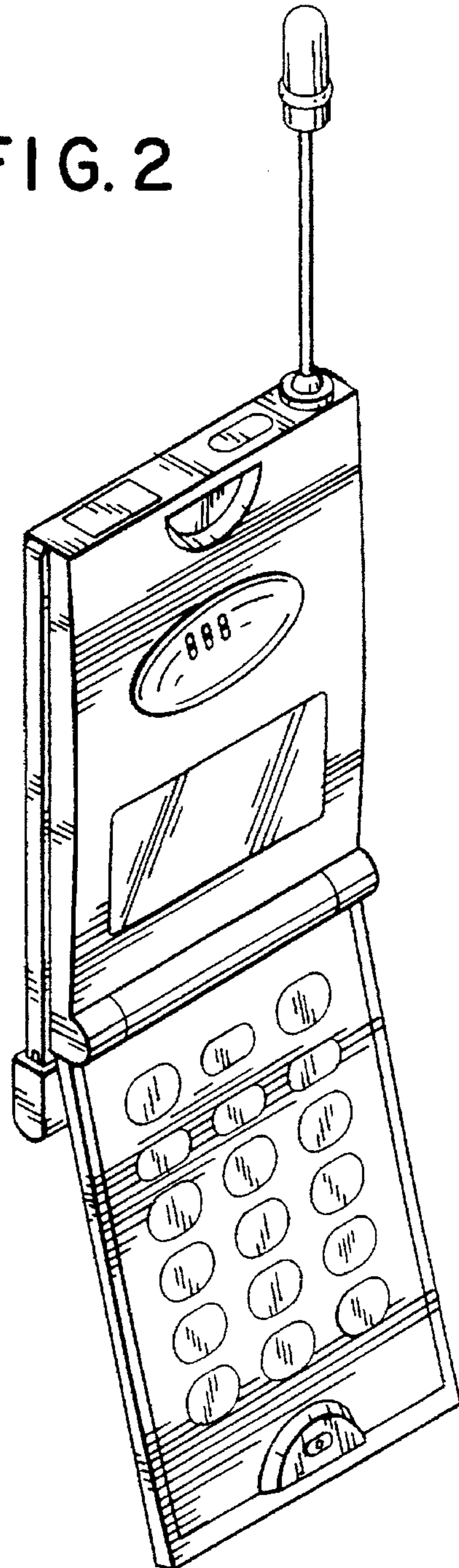


FIG. 3

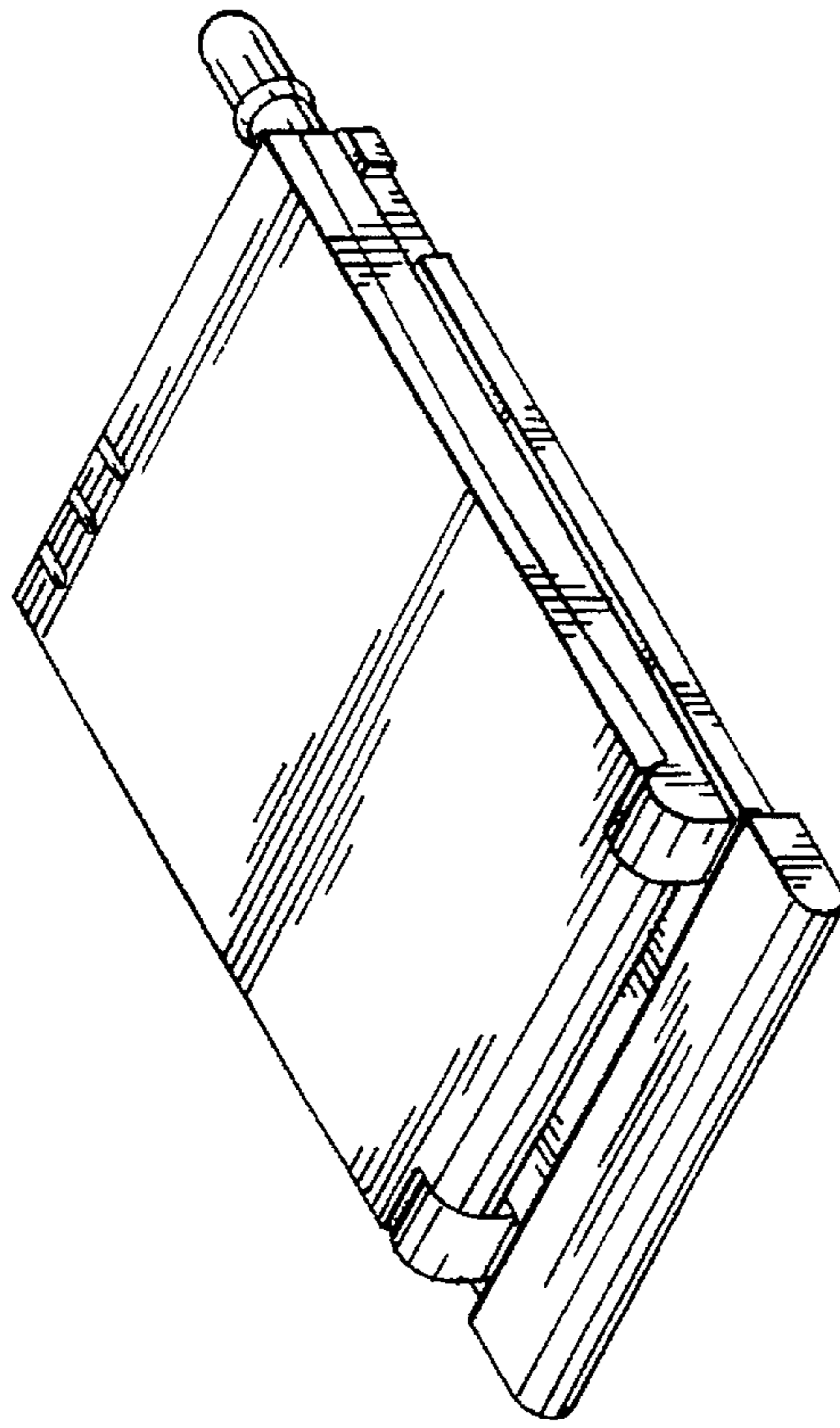


FIG. 4

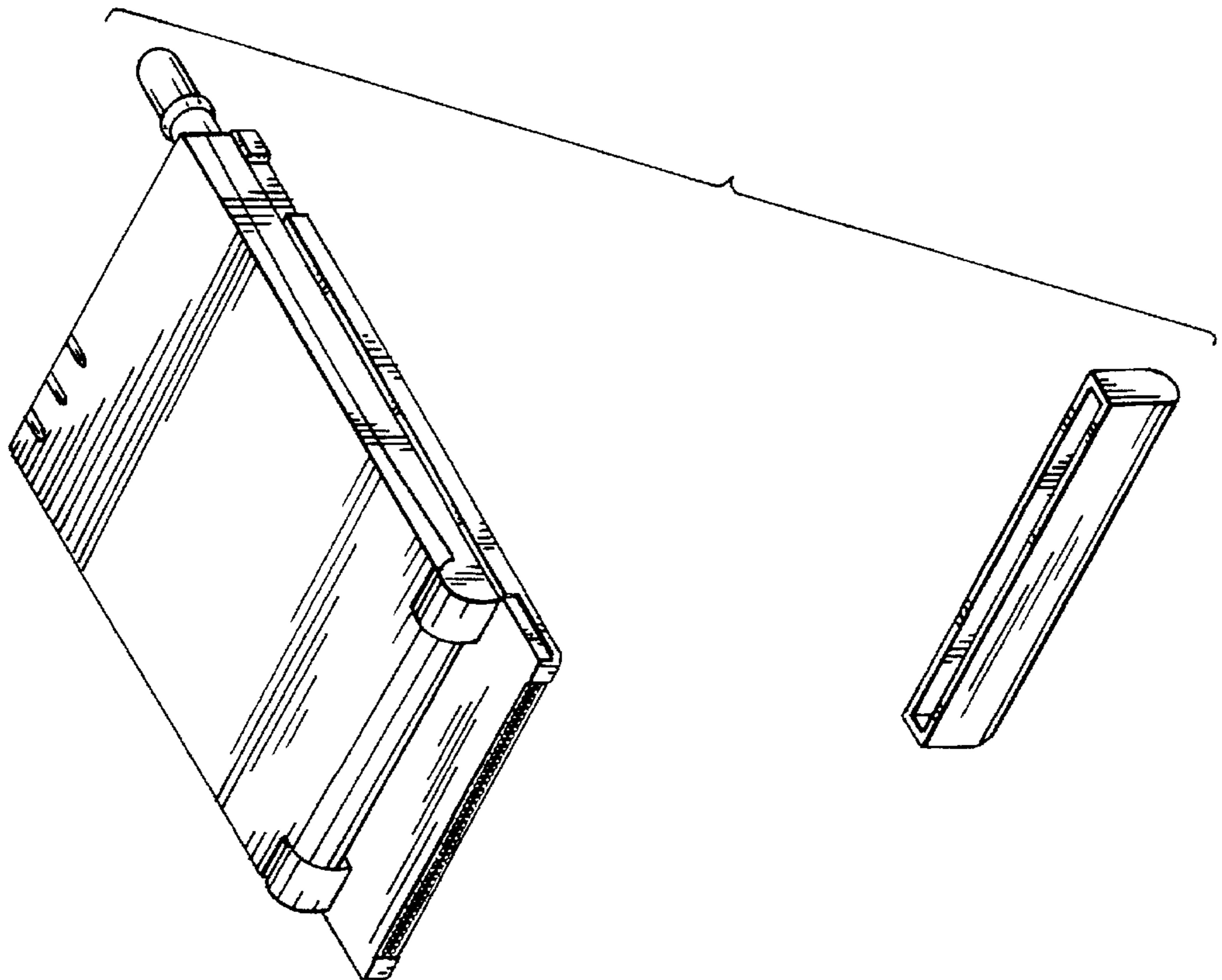


FIG. 5

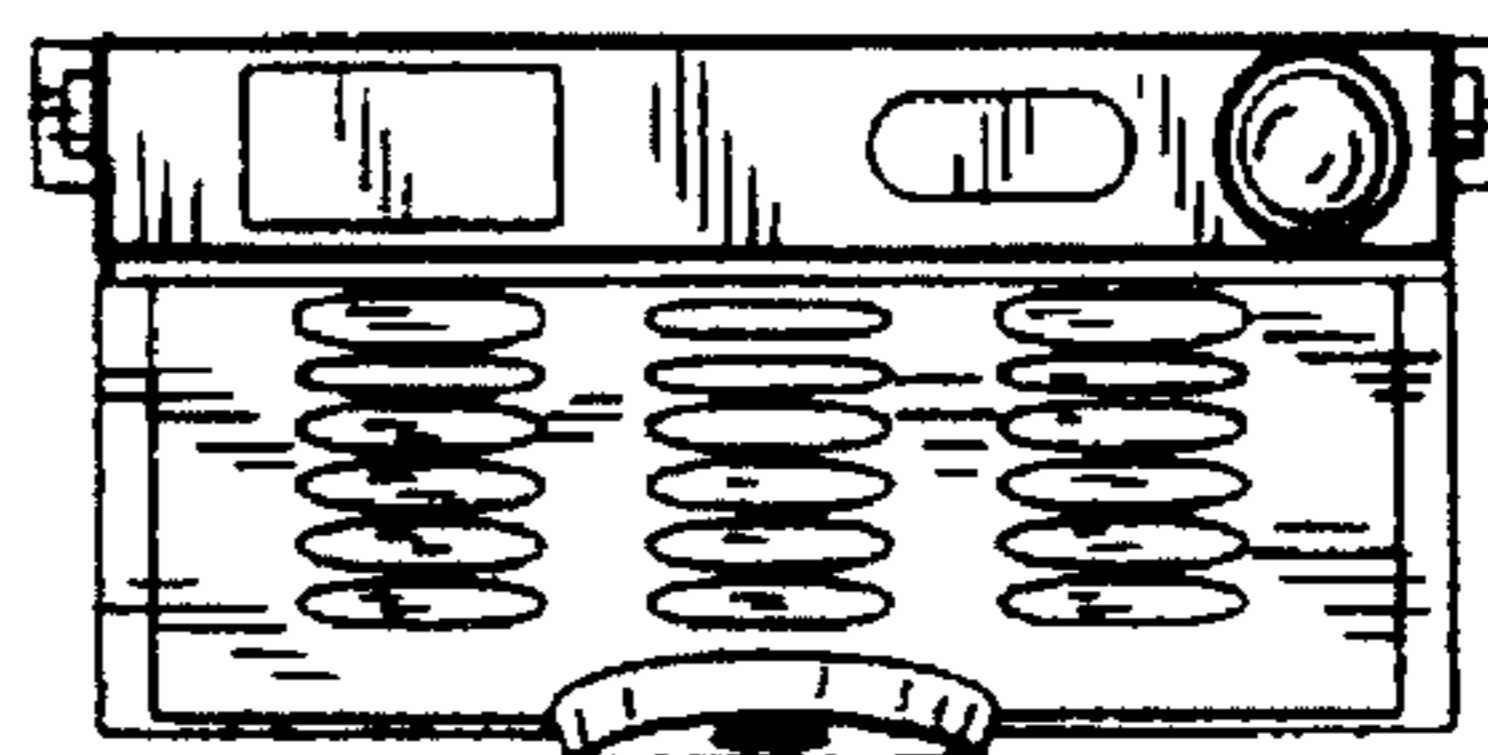


FIG. 6

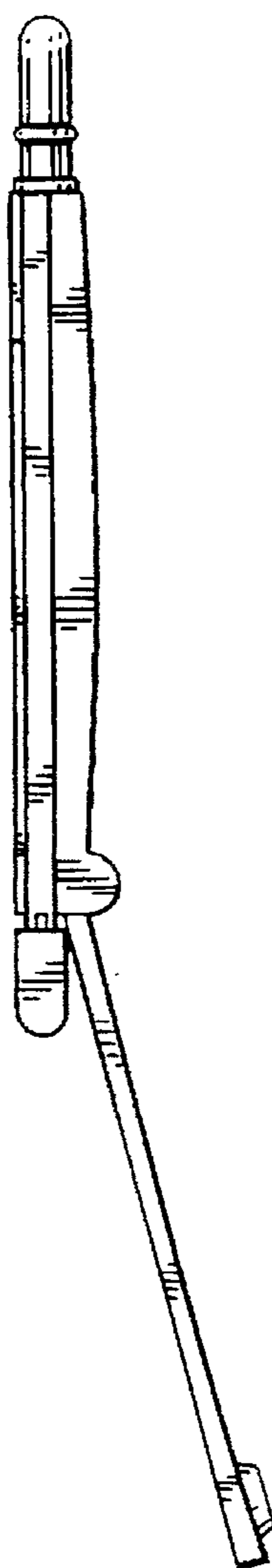


FIG. 7

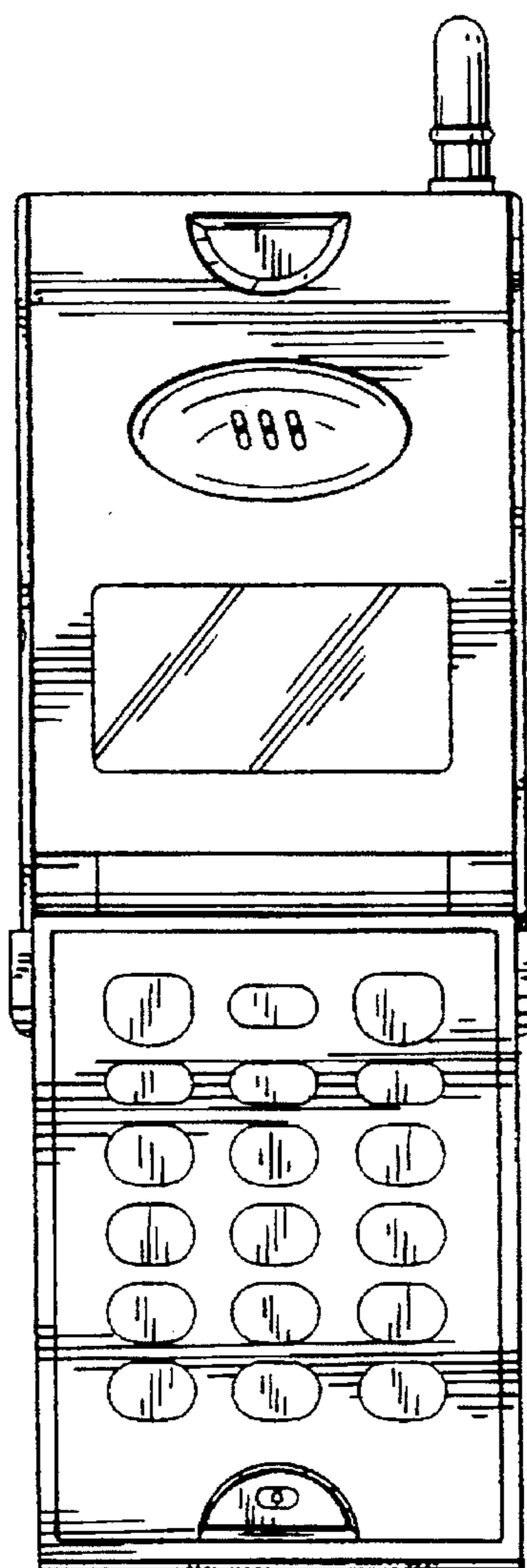


FIG. 8

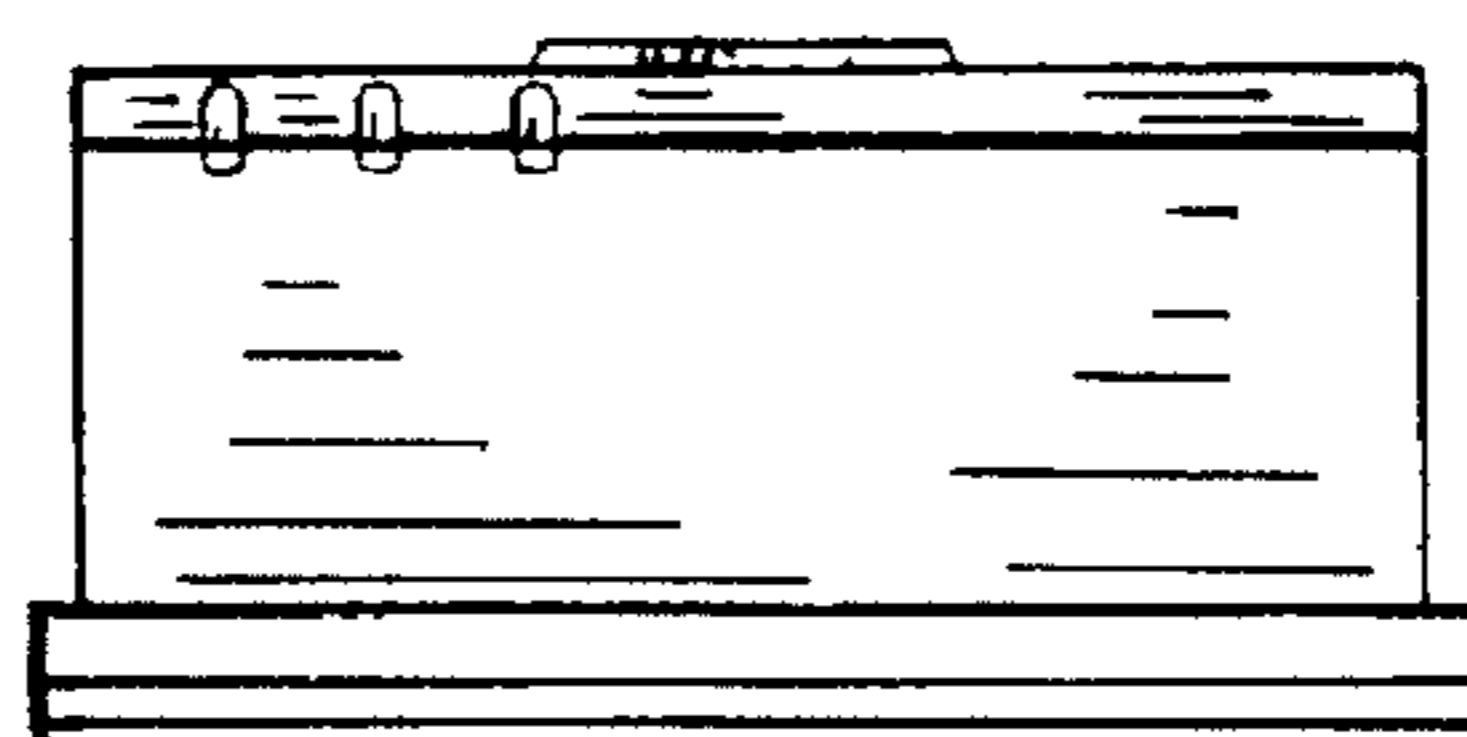


FIG. 11

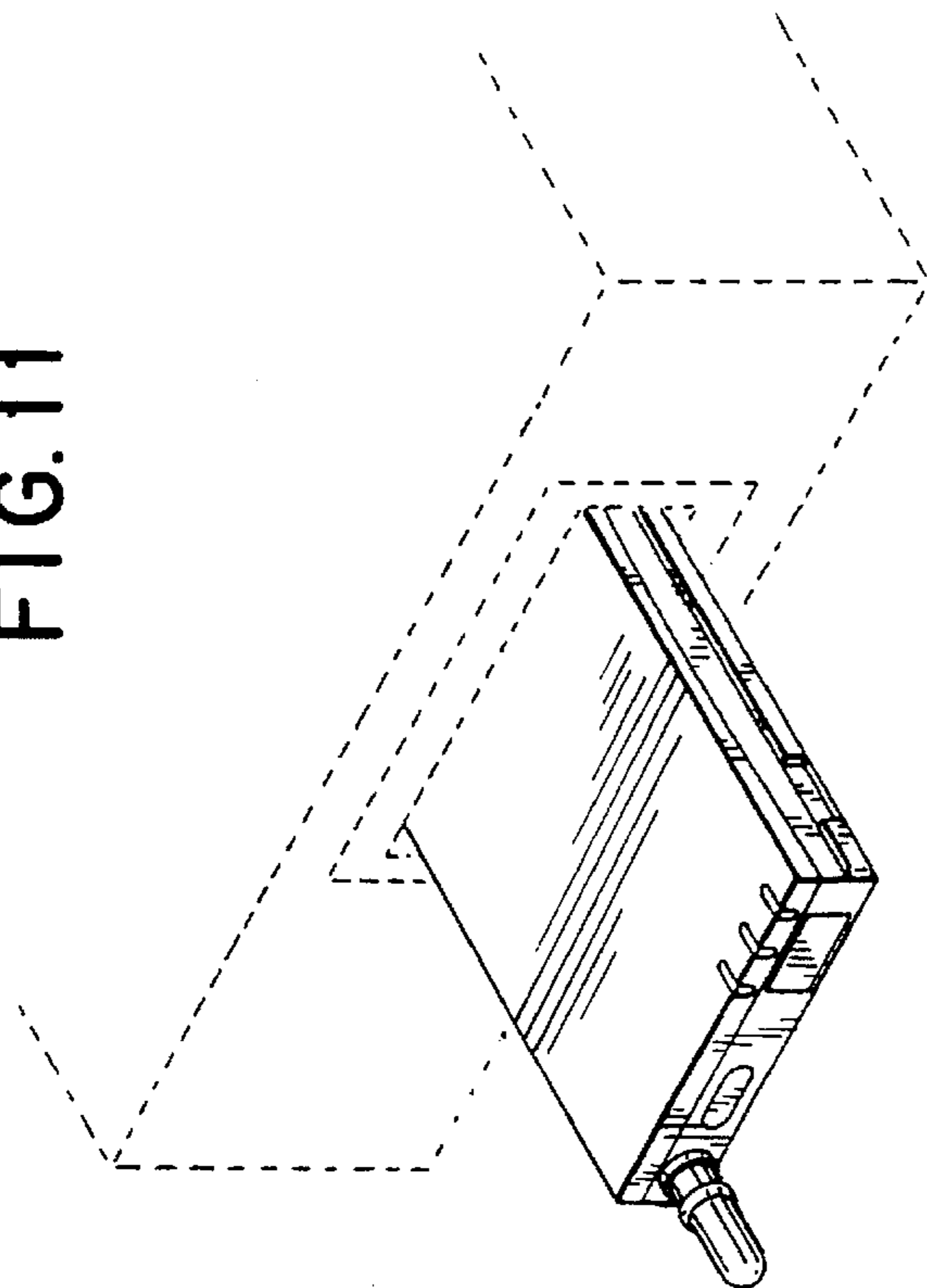


FIG. 12

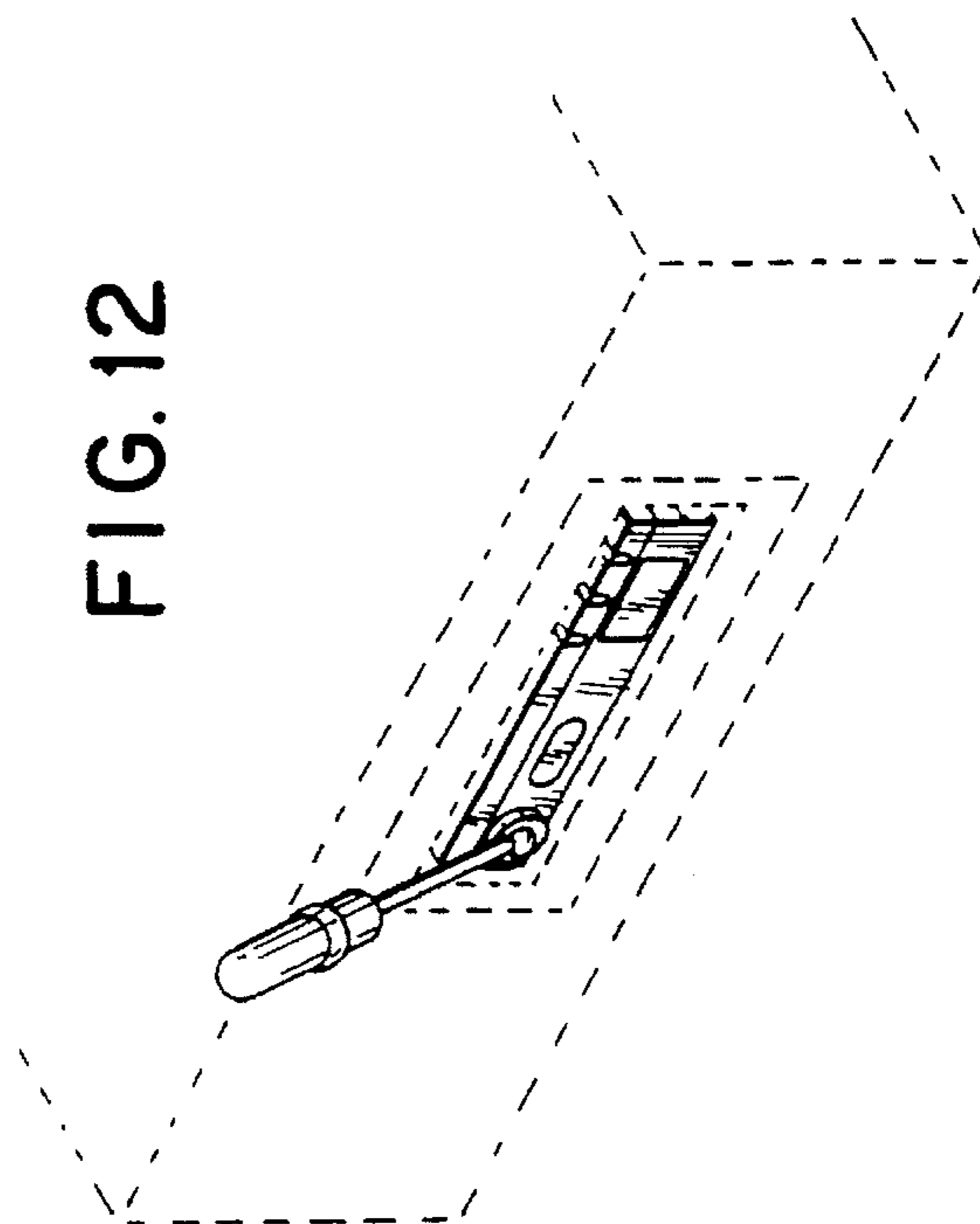


FIG. 10

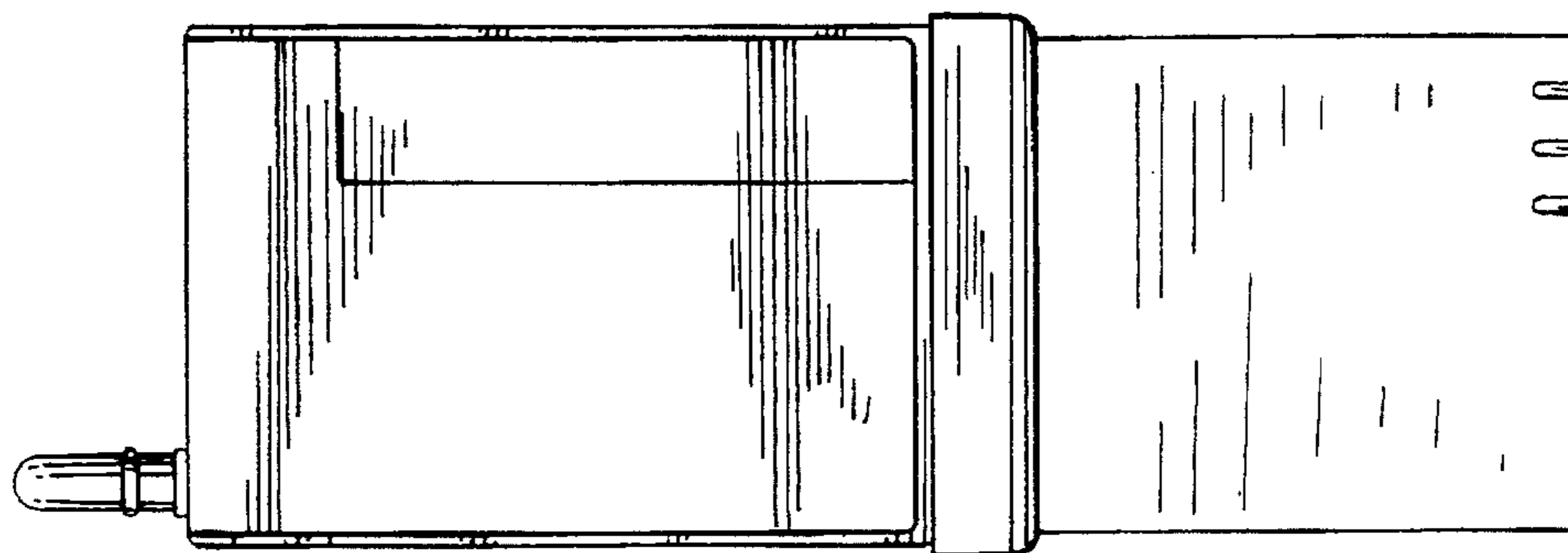


FIG. 9

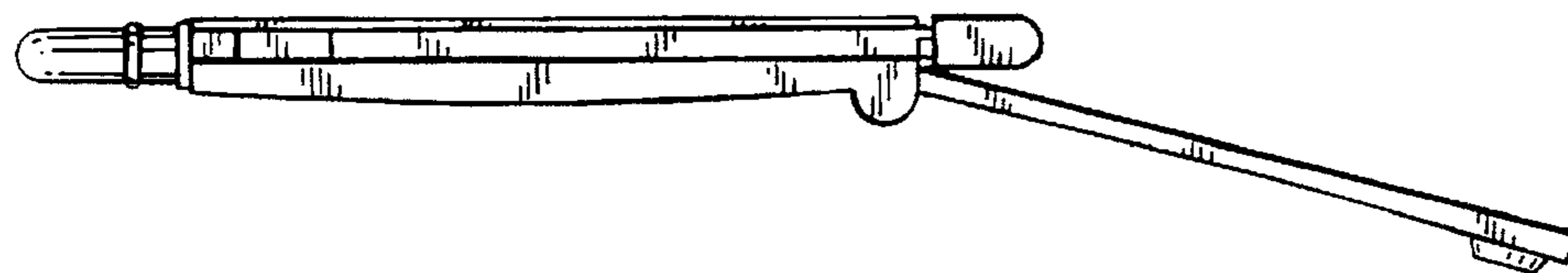


FIG. 13

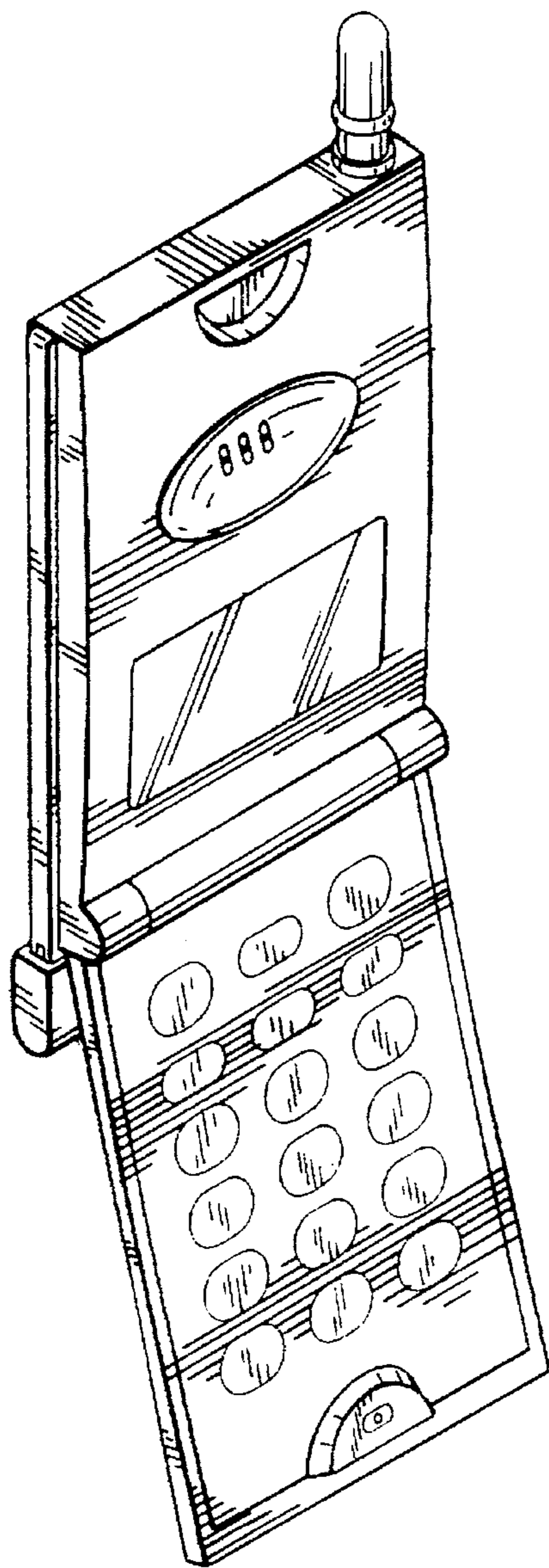


FIG. 14

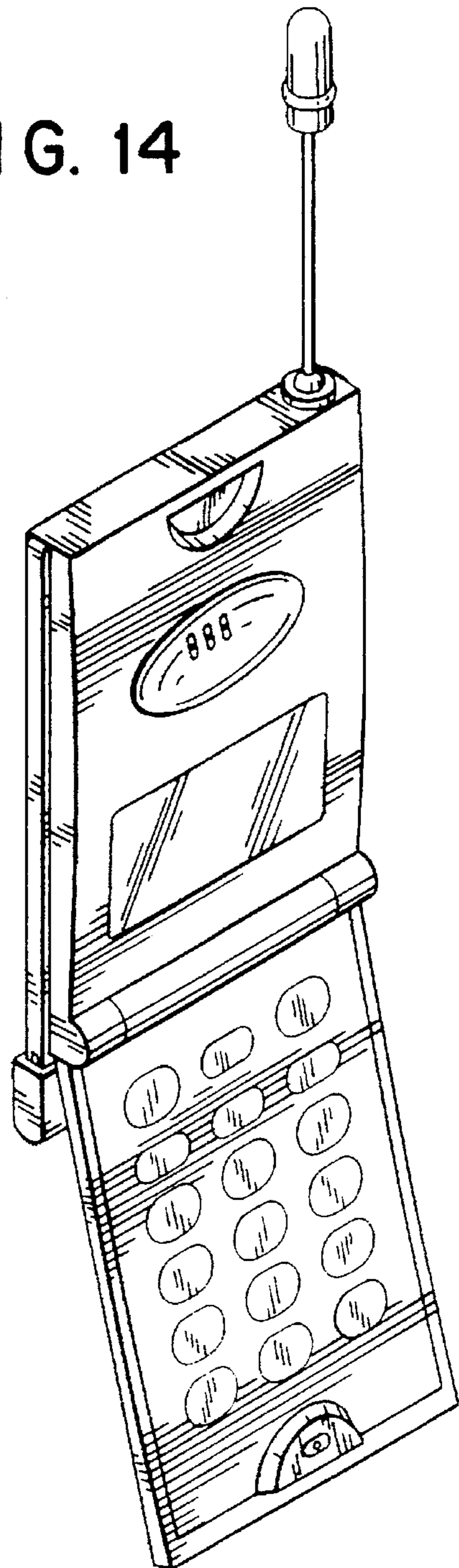


FIG. 15

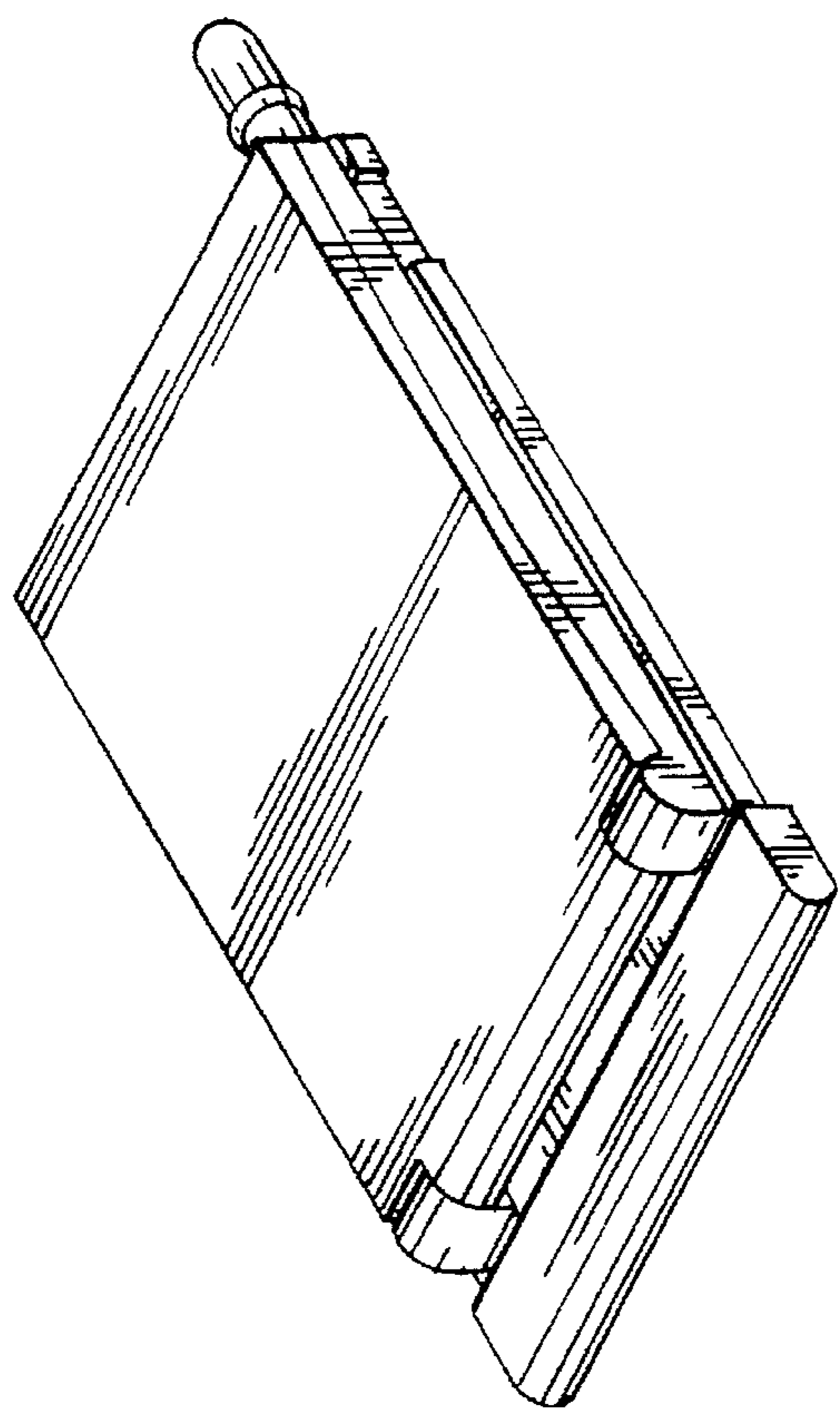


FIG. 16

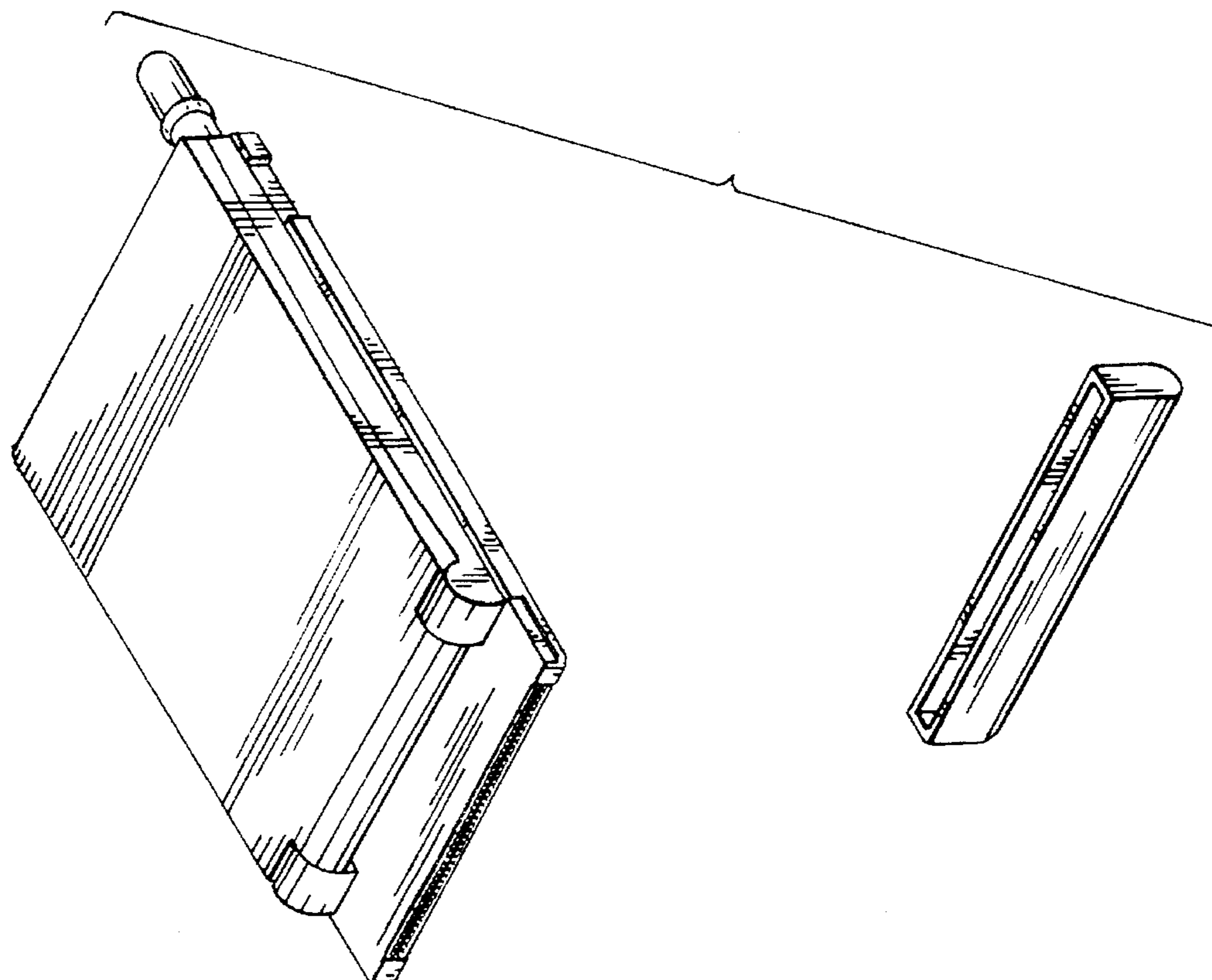


FIG. 17

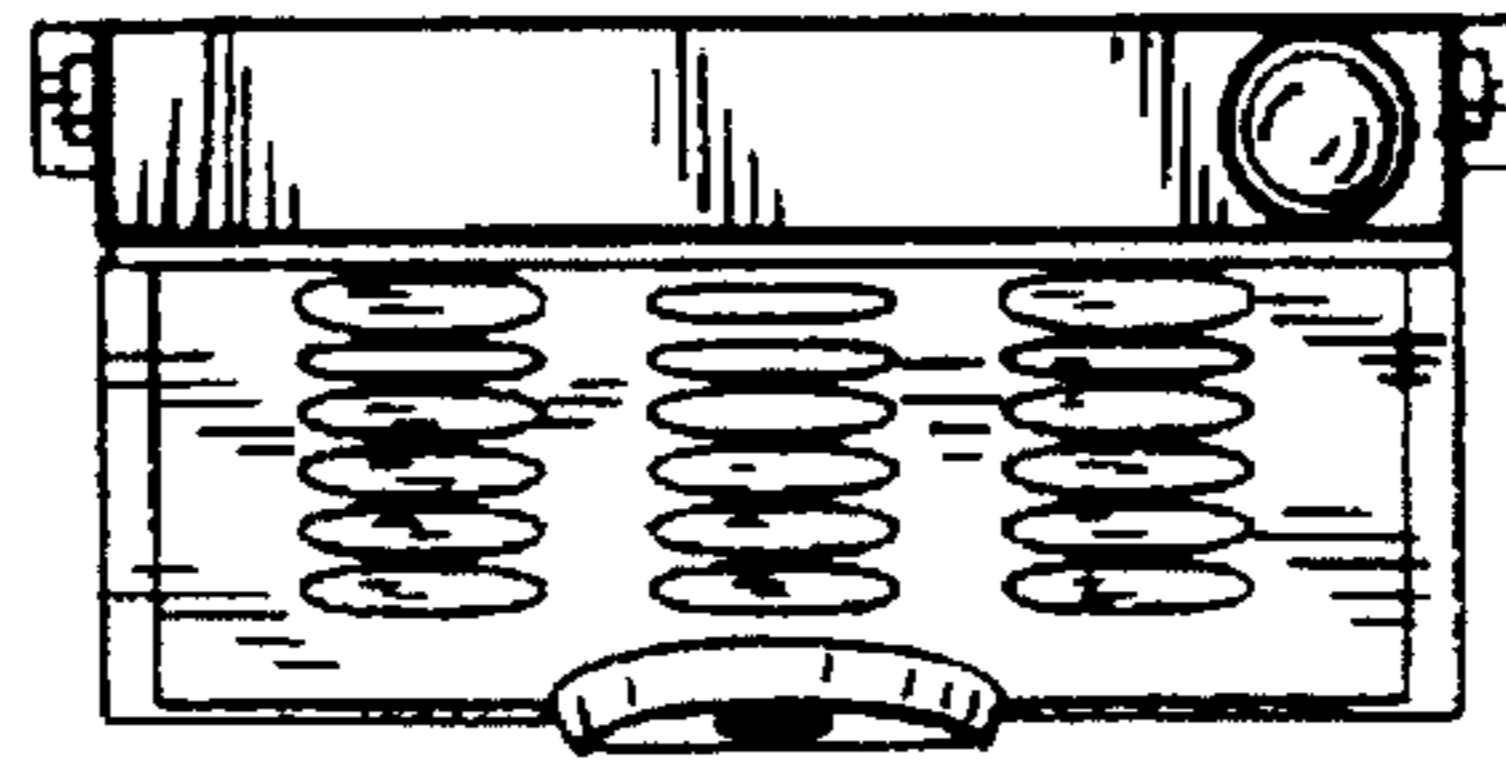


FIG. 18

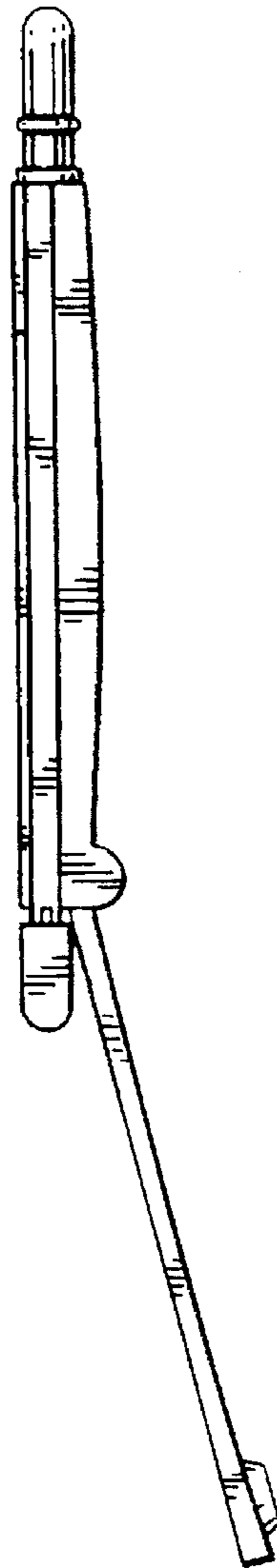


FIG. 19

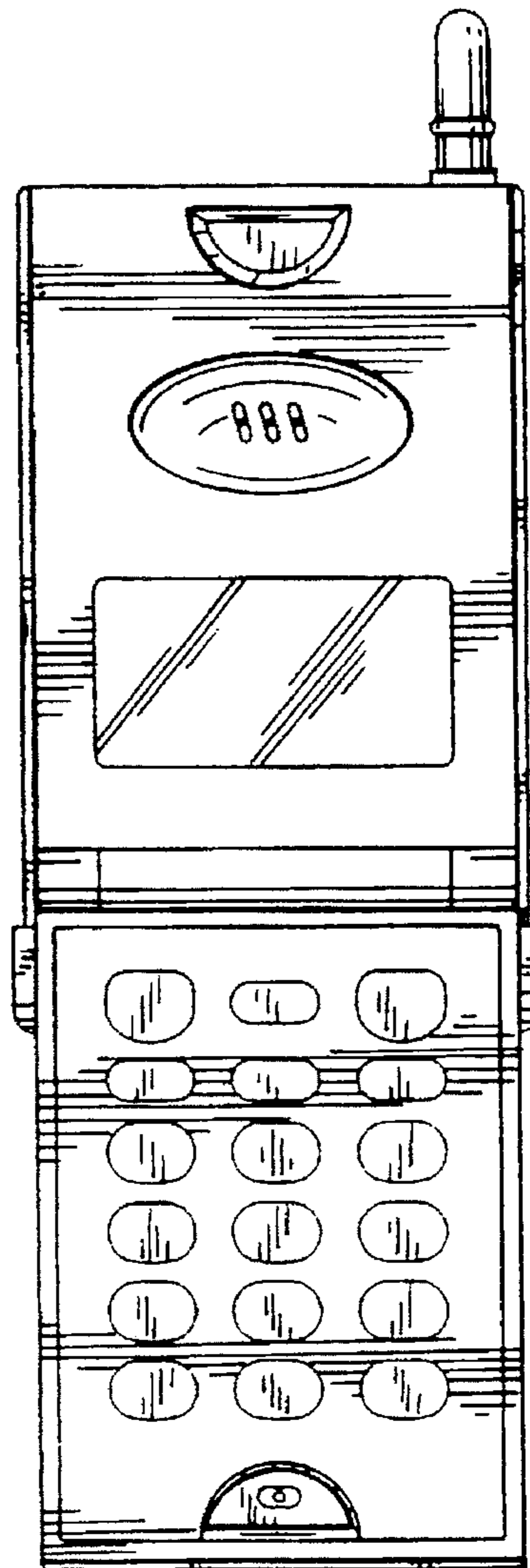


FIG. 20

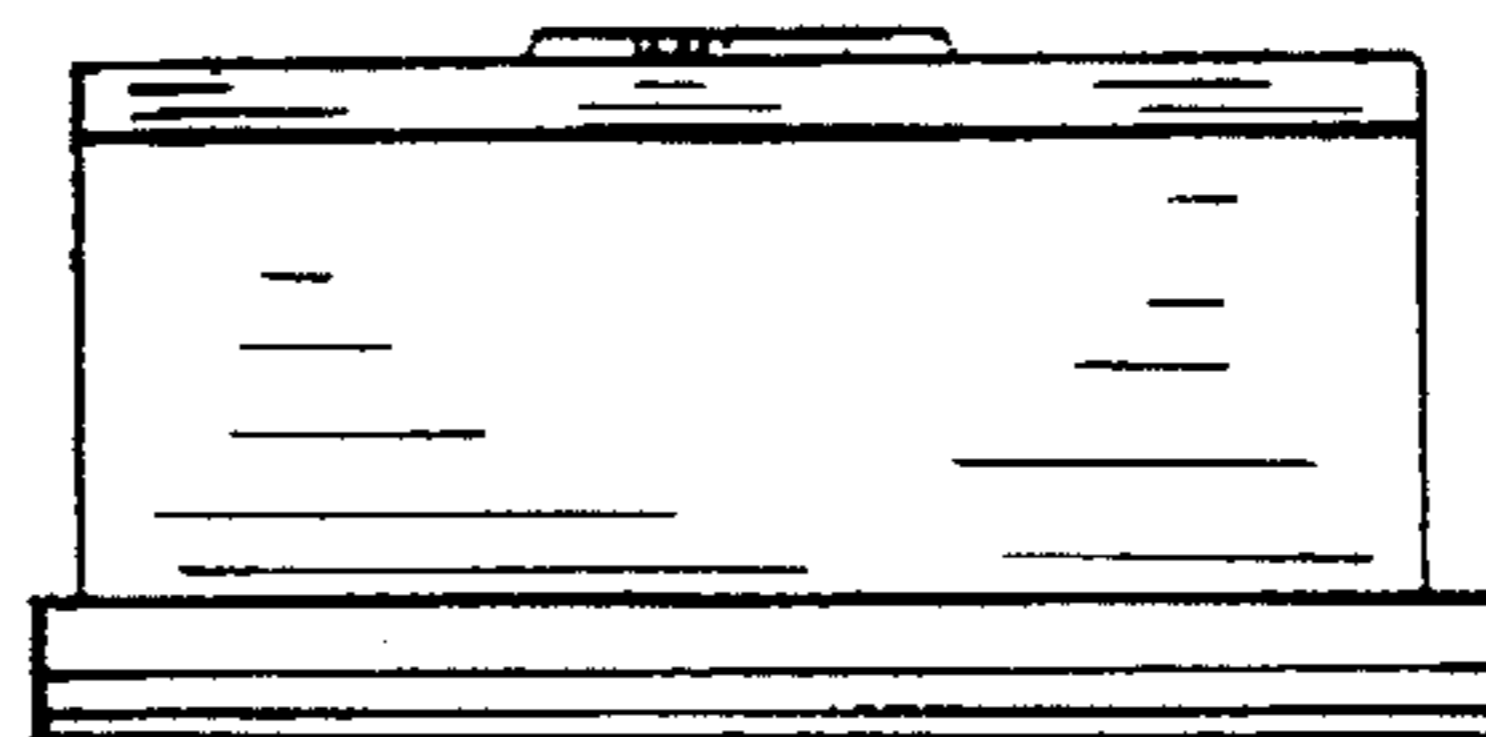


FIG. 23

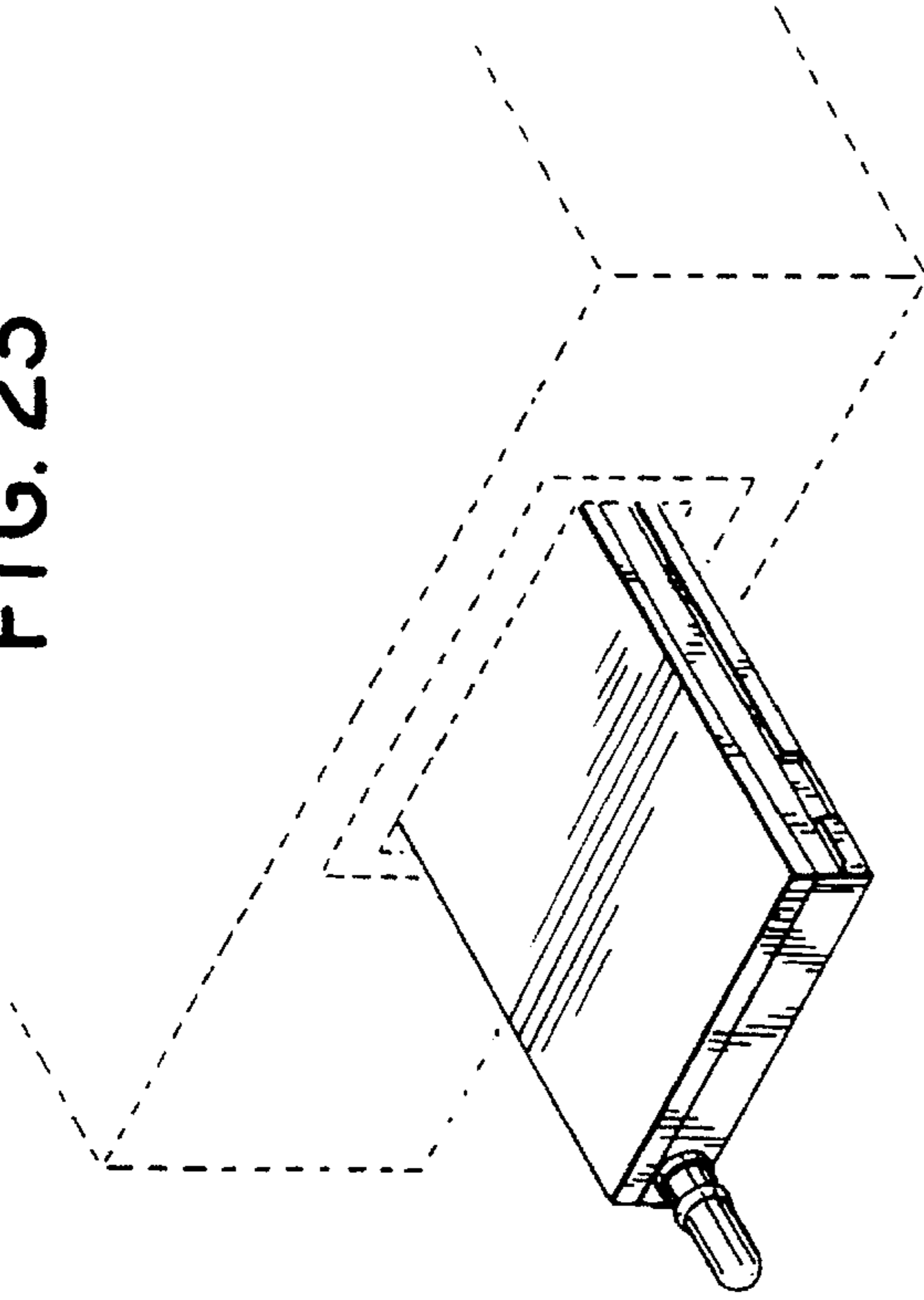


FIG. 24

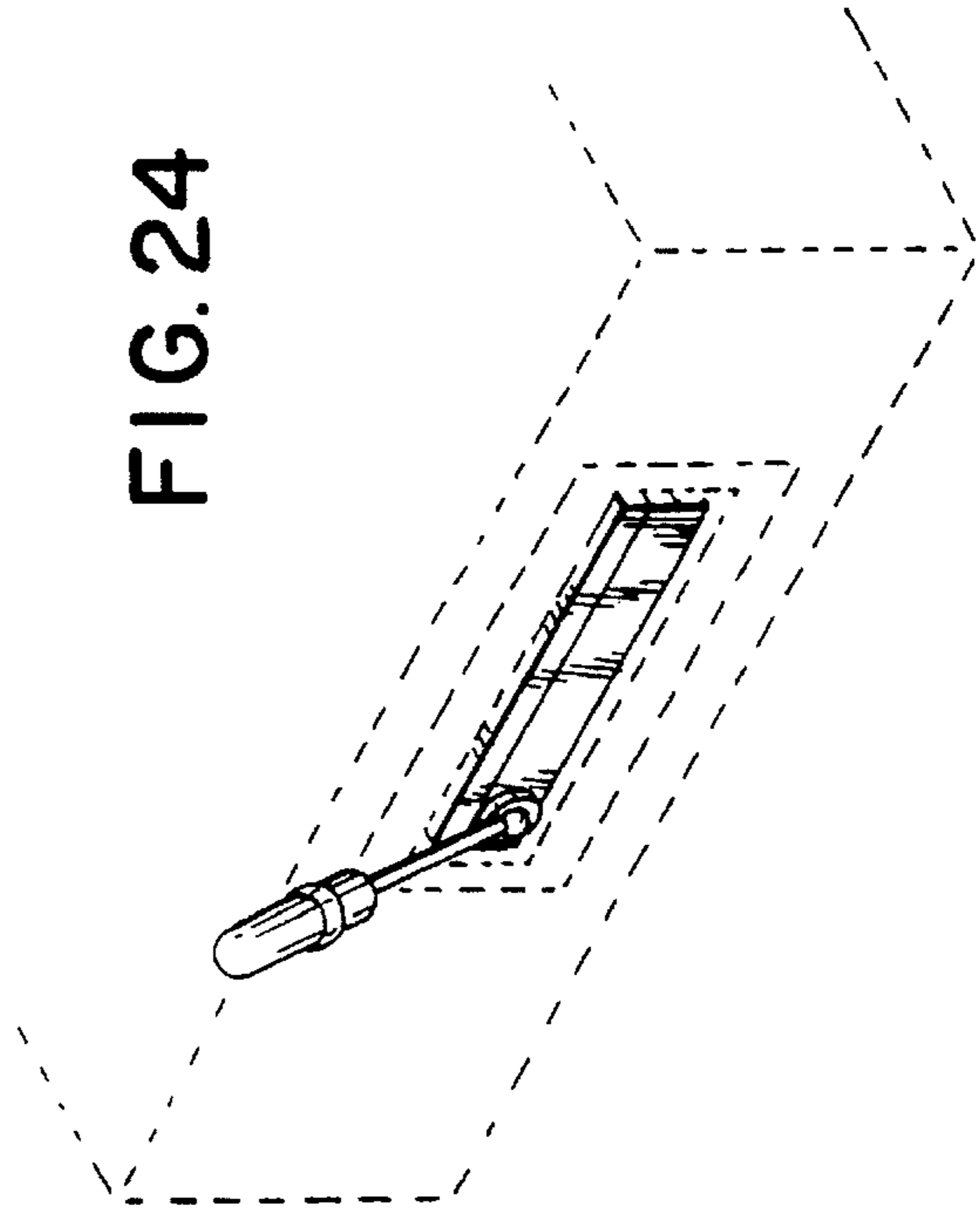


FIG. 22

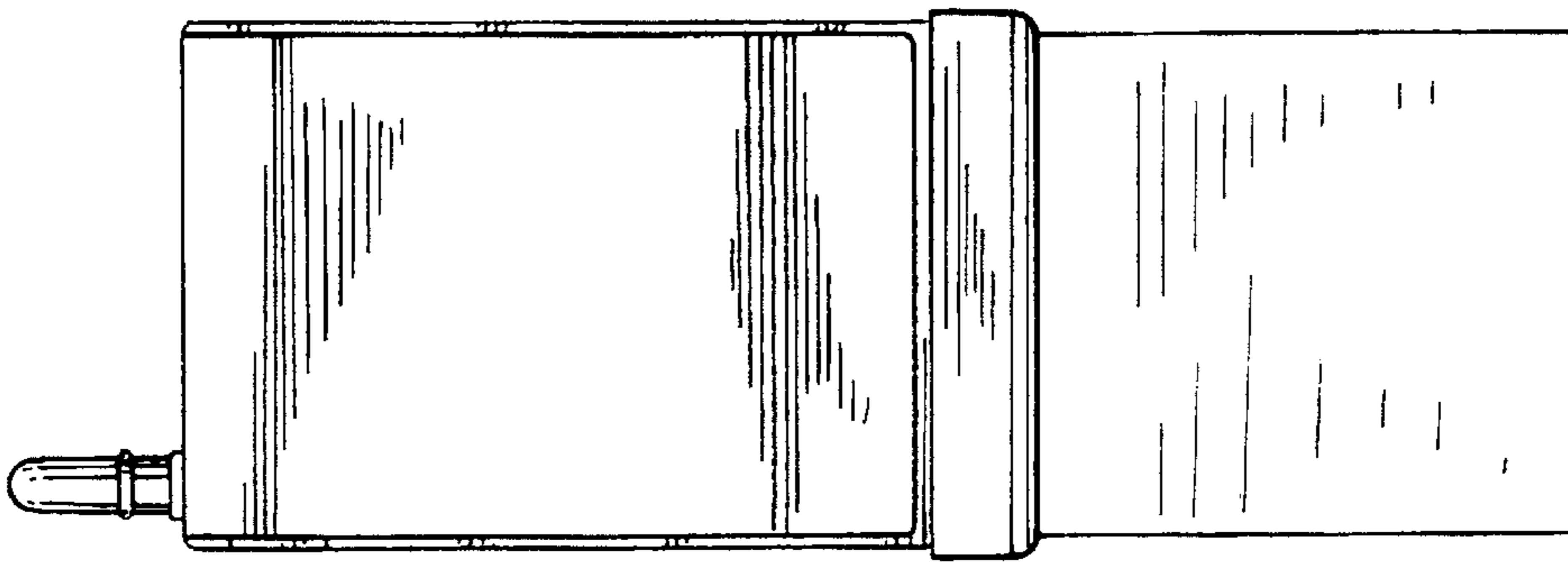


FIG. 21

