



US00D379977S

United States Patent [19]

Ueda

[11] Patent Number: **Des. 379,977**

[45] Date of Patent: ****Jun. 17, 1997**

[54] **CARTRIDGE FOR GAME MACHINE**

[75] Inventor: **Noriaki Ueda**, Tokyo, Japan

[73] Assignee: **Sega Enterprises, Ltd.**, Tokyo, Japan

[**] Term: **14 Years**

[21] Appl. No.: **42,423**

[22] Filed: **Aug. 10, 1995**

[30] **Foreign Application Priority Data**

Feb. 13, 1995 [JP] Japan 7-3541

[51] **LOC (6) Cl.** **14-99**

[52] **U.S. Cl.** **D14/121**

[58] **Field of Search** D14/121, 100,
D14/114, 122, 99; 242/348, 348.4, 341,
342-345, 346, 345.1, 345.3, 346.2; 273/433-438,
DIG. 28, 148 B; D21/13, 48

[56] **References Cited**

U.S. PATENT DOCUMENTS

- D. 312,081 11/1990 Yukawa D14/121
- D. 315,902 4/1991 Nakauma D14/121
- D. 315,903 4/1991 Nakauma D14/121
- D. 343,833 2/1994 Barr et al. D14/121
- D. 344,700 3/1994 Barr et al. D14/121
- D. 344,725 3/1994 Barr et al. D14/121

FOREIGN PATENT DOCUMENTS

- 539862 9/1980 Japan .
- 708375 7/1987 Japan .
- 708375-1 7/1987 Japan .
- 708375-2 7/1987 Japan .
- 717833 11/1987 Japan .
- 738855 7/1988 Japan .
- 738856 7/1988 Japan .
- 717833-1 12/1988 Japan .
- 717833-2 12/1988 Japan .
- 717833-3 12/1988 Japan .
- 717833-4 12/1988 Japan .
- 717833-5 12/1988 Japan .
- 751324 12/1988 Japan .
- 751324-1 9/1992 Japan .
- 848098 9/1992 Japan .
- 848100 9/1992 Japan .

- 848110 9/1992 Japan .
- 849343 10/1992 Japan .
- 751324-2 2/1993 Japan .
- 751324-3 2/1993 Japan .
- 751324-4 2/1993 Japan .
- 751324-5 2/1993 Japan .
- 751324-6 2/1993 Japan .
- 751324-7 2/1993 Japan .
- 751324-8 2/1993 Japan .
- 848100-1 2/1993 Japan .
- 848100-2 2/1993 Japan .
- 848100-3 2/1993 Japan .
- 848100-4 2/1993 Japan .
- 848100-5 2/1993 Japan .
- 848100-6 2/1993 Japan .
- 848100-7 2/1993 Japan .
- 848100-8 2/1993 Japan .
- 848100-9 2/1993 Japan .
- 848100-10 2/1993 Japan .
- 848100-11 2/1993 Japan .
- 848100-12 2/1993 Japan .
- 848100-13 2/1993 Japan .
- 848100-14 2/1993 Japan .
- 862823 3/1993 Japan .
- 863043 3/1993 Japan .
- 863044 3/1993 Japan .
- 717833-6 4/1993 Japan .
- 863044-1 4/1993 Japan .
- 923792 5/1995 Japan .
- 923793 5/1995 Japan .
- 923824 5/1995 Japan .
- 923825 5/1995 Japan .
- 923824-1 5/1995 Japan .
- 923792-2 6/1995 Japan .
- 923792-1 6/1995 Japan .
- 923825-1 6/1995 Japan .

OTHER PUBLICATIONS

Cartridge for Game Machine, photos of products marketed by Sega Enterprises, Ltd. before Oct. 29, 1988.

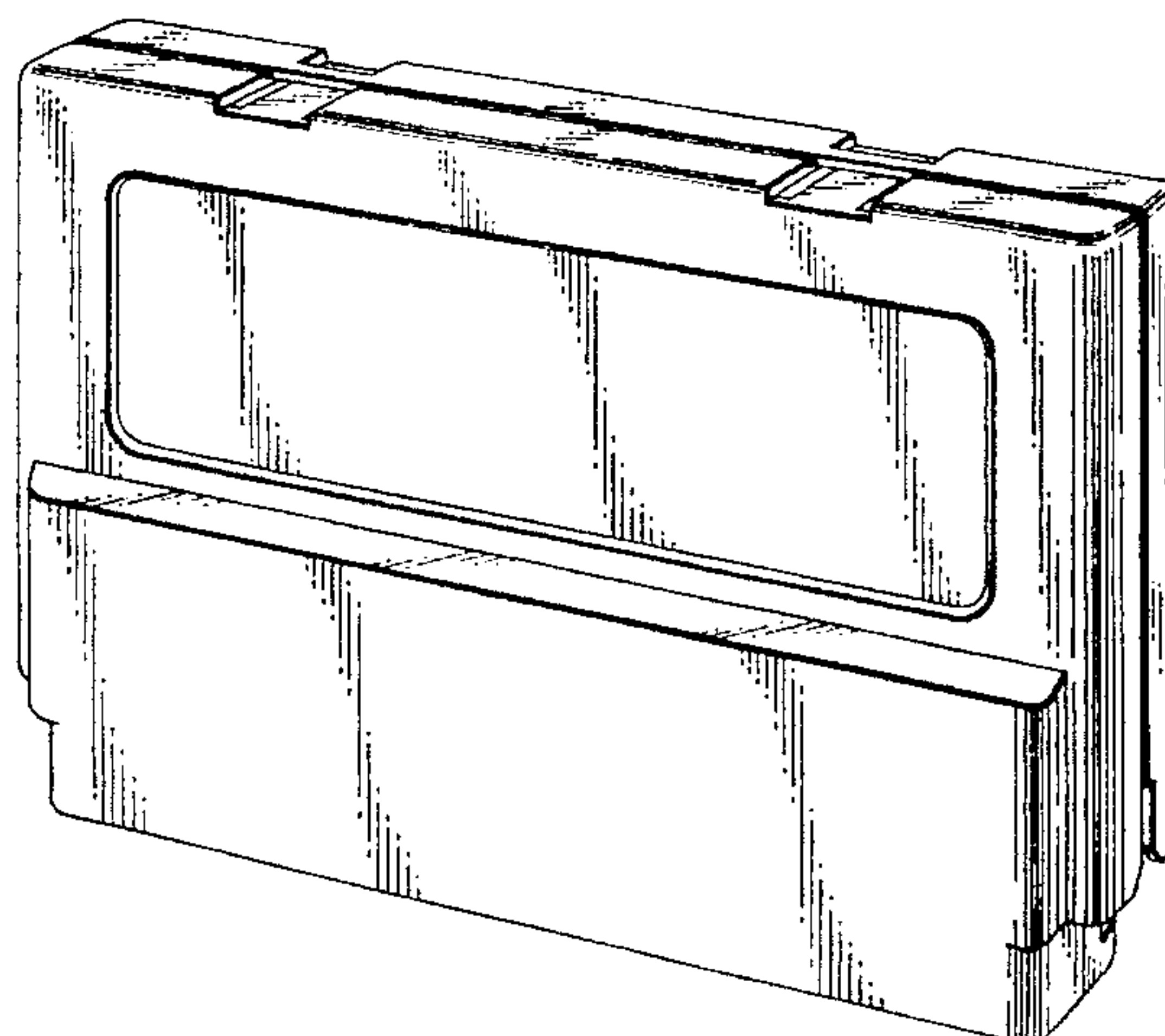
Primary Examiner—Prabhakar G. Deshmukh
Attorney, Agent, or Firm—Ladas & Parry

[57] **CLAIM**

The ornamental design for a cartridge for game machine, as shown and described.

DESCRIPTION

FIG. 1 is a front perspective view of a cartridge for game



machine showing my new design;
FIG. 2 is a front view thereof;
FIG. 3 is a rear view thereof;
FIG. 4 is a top view thereof;
FIG. 5 is a bottom view thereof;
FIG. 6 is a right side view thereof, the left side view being a mirror image of the right side;
FIG. 7 is a sectional view thereof; taken along line 7—7 of FIG. 2; the inside mechanism being omitted for clarity; and,

FIG. 8 is a rear perspective view thereof; shown in its environmental use.

The broken line showing of a partial machine is for illustrative purpose only and forms no part of the claim.

1 Claim, 6 Drawing Sheets

FIG.1

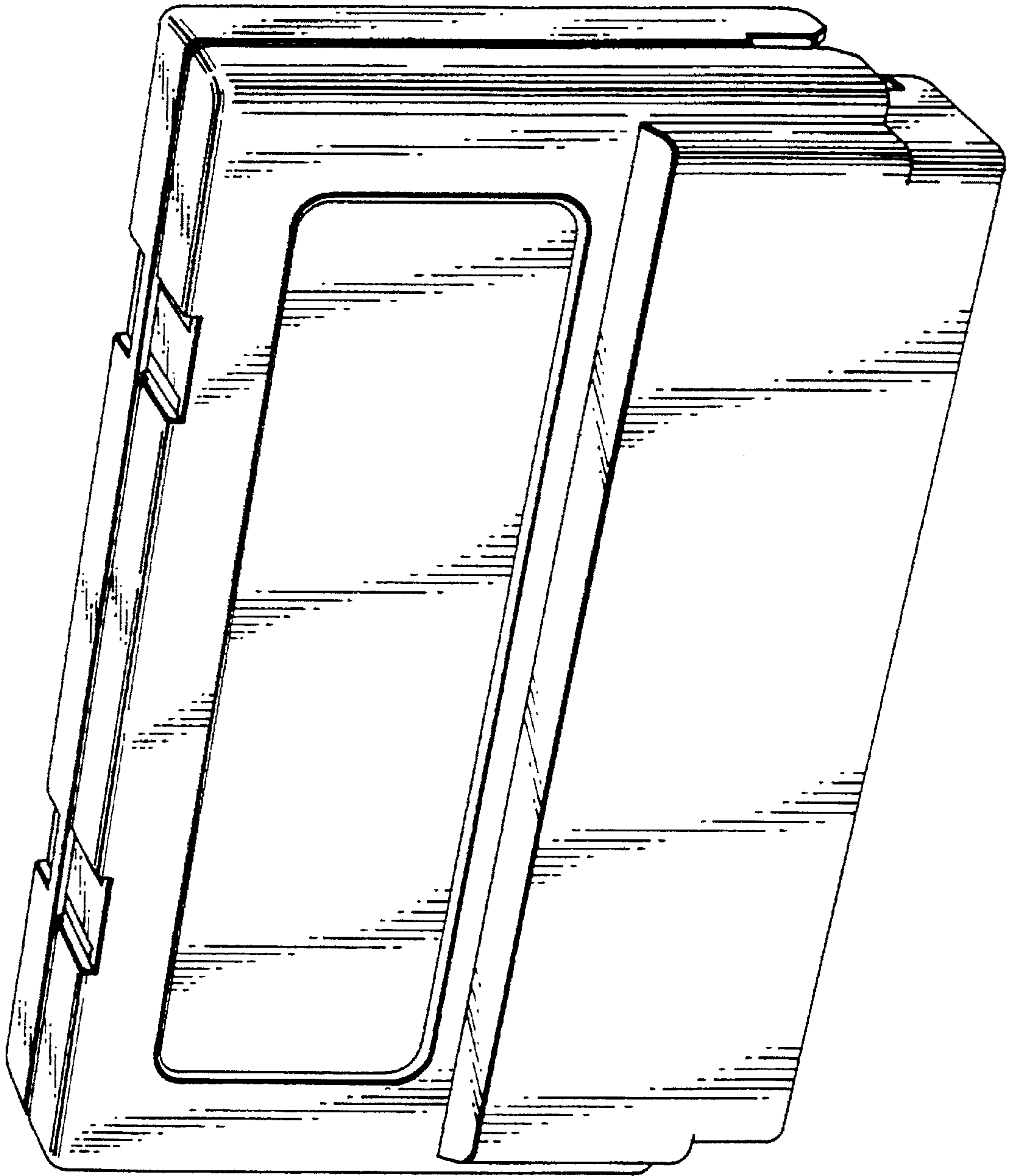


FIG. 2

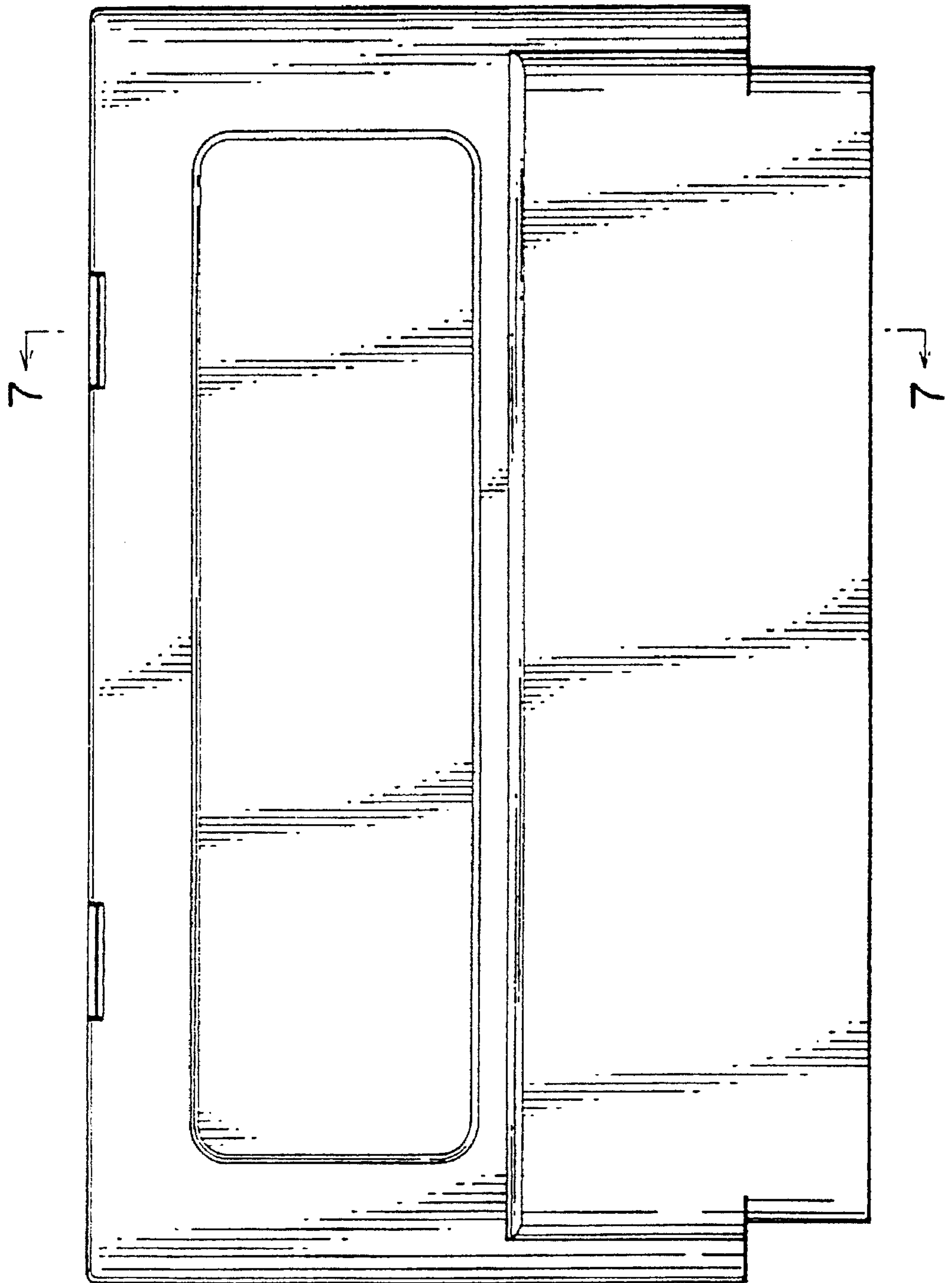


FIG. 3

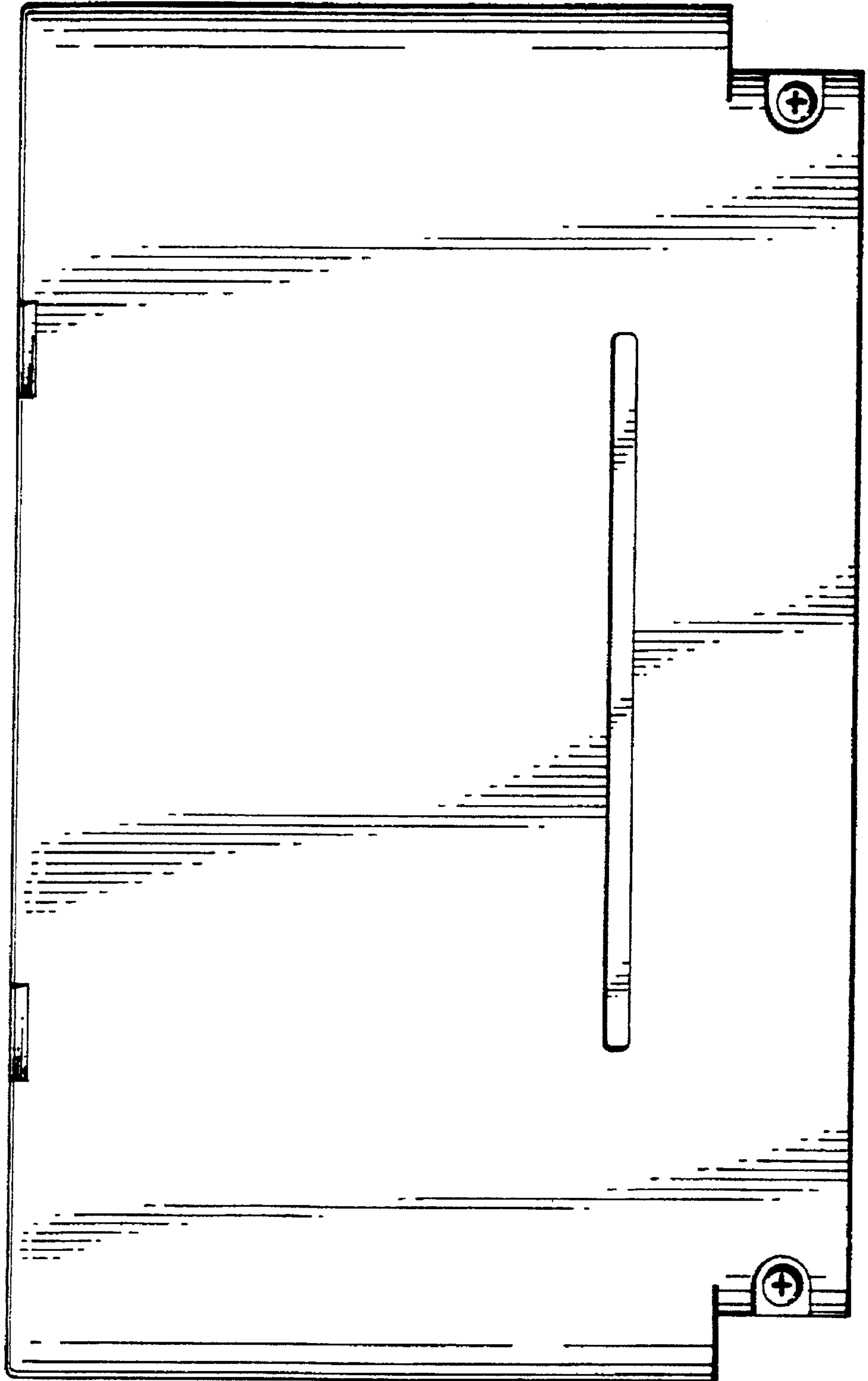


FIG. 4

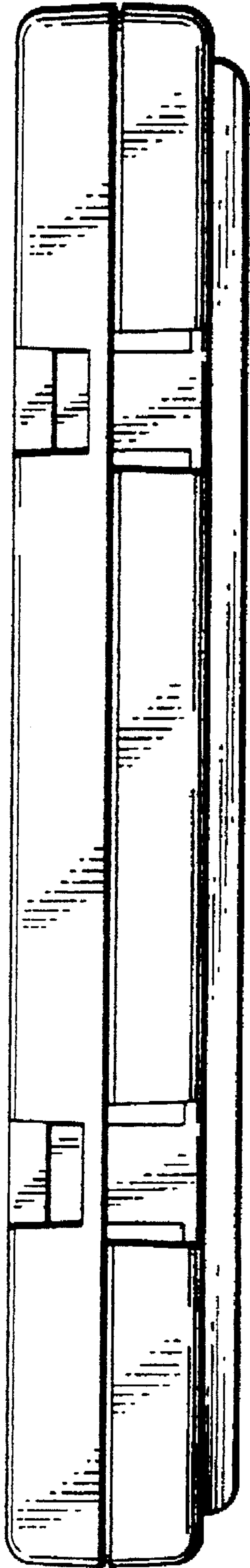


FIG. 5

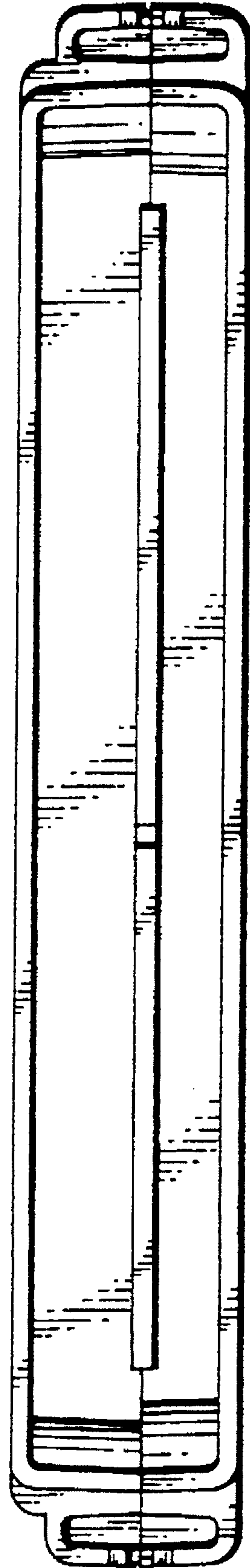


FIG. 7

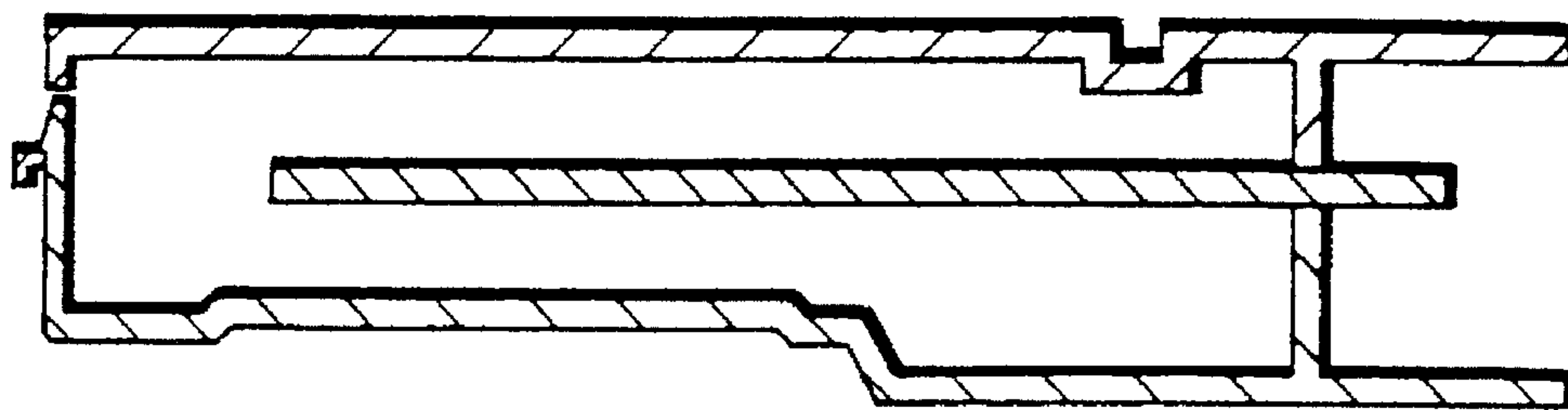


FIG. 6

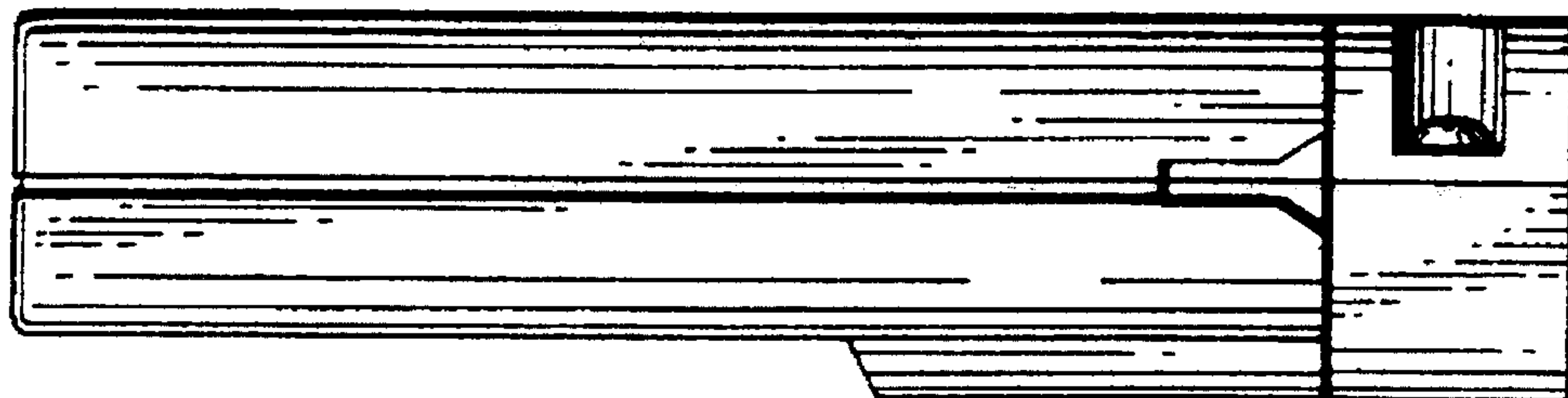


FIG. 8

