



US00D379976S

United States Patent [19]

[11] Patent Number: **Des. 379,976**

Crist et al.

[45] Date of Patent: ****Jun. 17, 1997**

[54] **REAR PORTION OF A TOP SURFACE FOR A VIDEOCASSETTE**

D. 351,379	10/1994	Suzuki	D14/121
4,501,396	2/1985	Tomsyck et al.	242/199
4,754,357	6/1988	Nelson	360/132
4,858,848	8/1989	Katoku et al.	242/346.2 X
4,911,298	3/1990	Miyagawa et al.	206/387.1

[75] Inventors: **David A. Crist**, Minneapolis; **Gregory H. Johnson**, Oakdale, both of Minn.; **Donald J. Staufenberg**, Dublin, Ohio

Primary Examiner—Ted Shooman
Assistant Examiner—Nanda Bondade
Attorney, Agent, or Firm—Gary L. Griswold; Walter N. Kirn; Charles D. Levine

[73] Assignee: **Minnesota Mining and Manufacturing Company**, St. Paul, Minn.

[**] Term: **14 Years**

[57] **CLAIM**

[21] Appl. No.: **20,925**

The ornamental design for a rear portion of a top surface for a videocassette, as shown and described.

[22] Filed: **Apr. 5, 1994**

DESCRIPTION

[51] LOC (6) Cl. **14-99**

[52] U.S. Cl. **D14/121**

[58] Field of Search D14/120-123,
D14/299; 206/381.1, 381.12-381.15; 242/342-346,
345.1-345.3, 346.2; 360/132

FIG. 1 is a perspective view of a rear portion of a top surface for a videocassette showing our new design; and, FIG. 2 is a top plan view thereof.

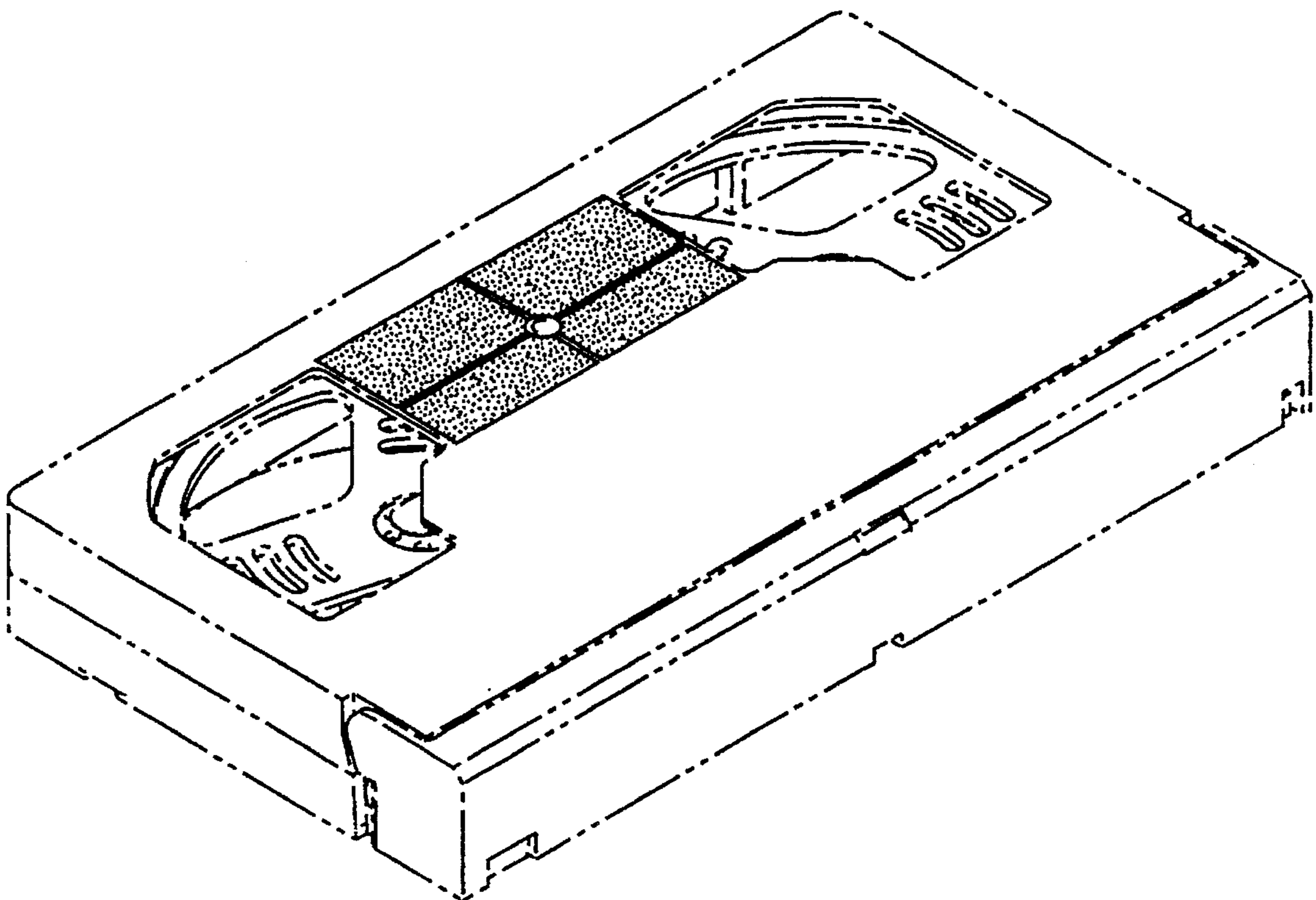
The broken line showing of the videocassette and tape reel is for illustrative purposes only and forms no part of the claimed design.

[56] **References Cited**

U.S. PATENT DOCUMENTS

D. 266,419 10/1982 Hashimoto et al. D14/121

1 Claim, 1 Drawing Sheet



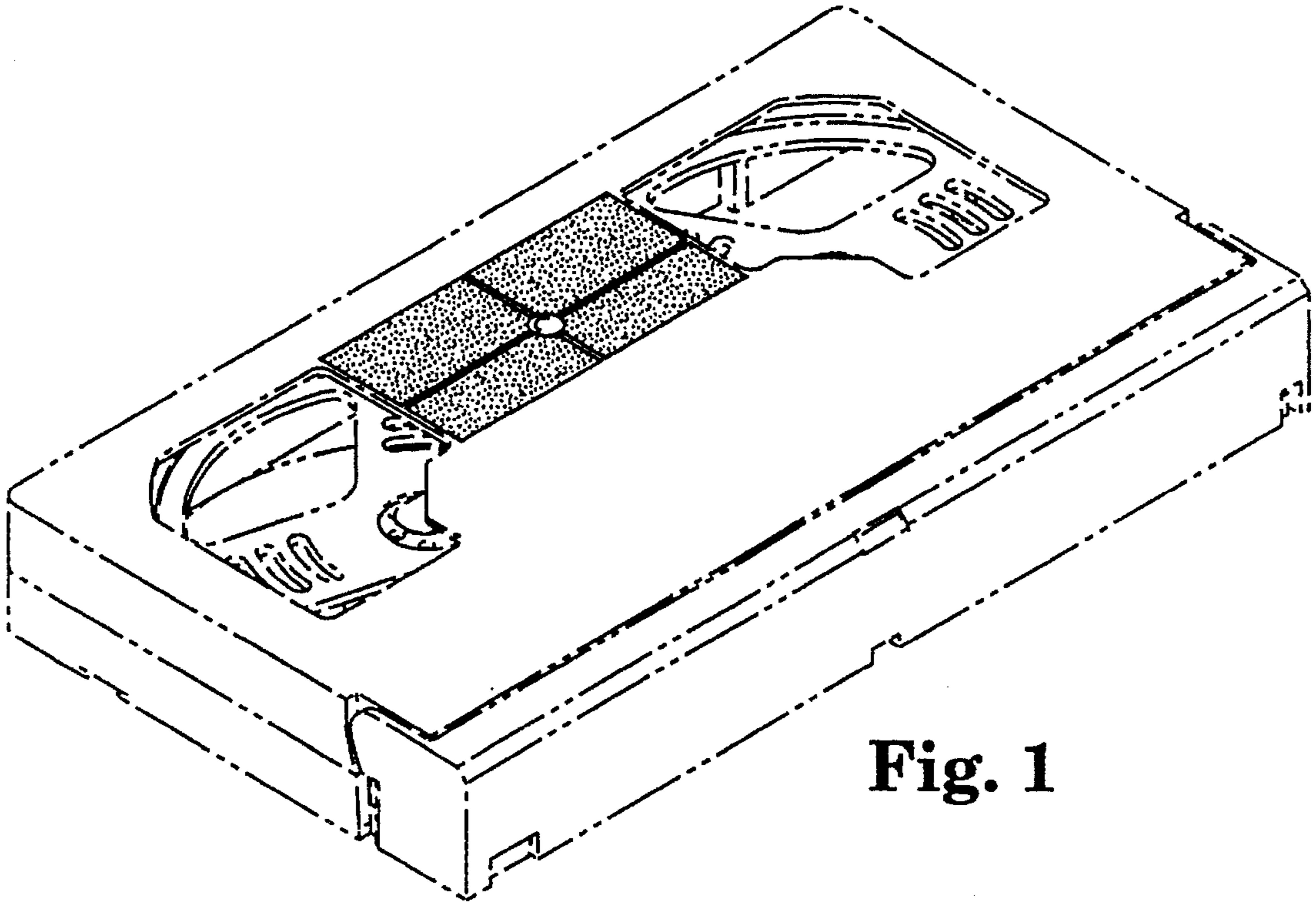


Fig. 1

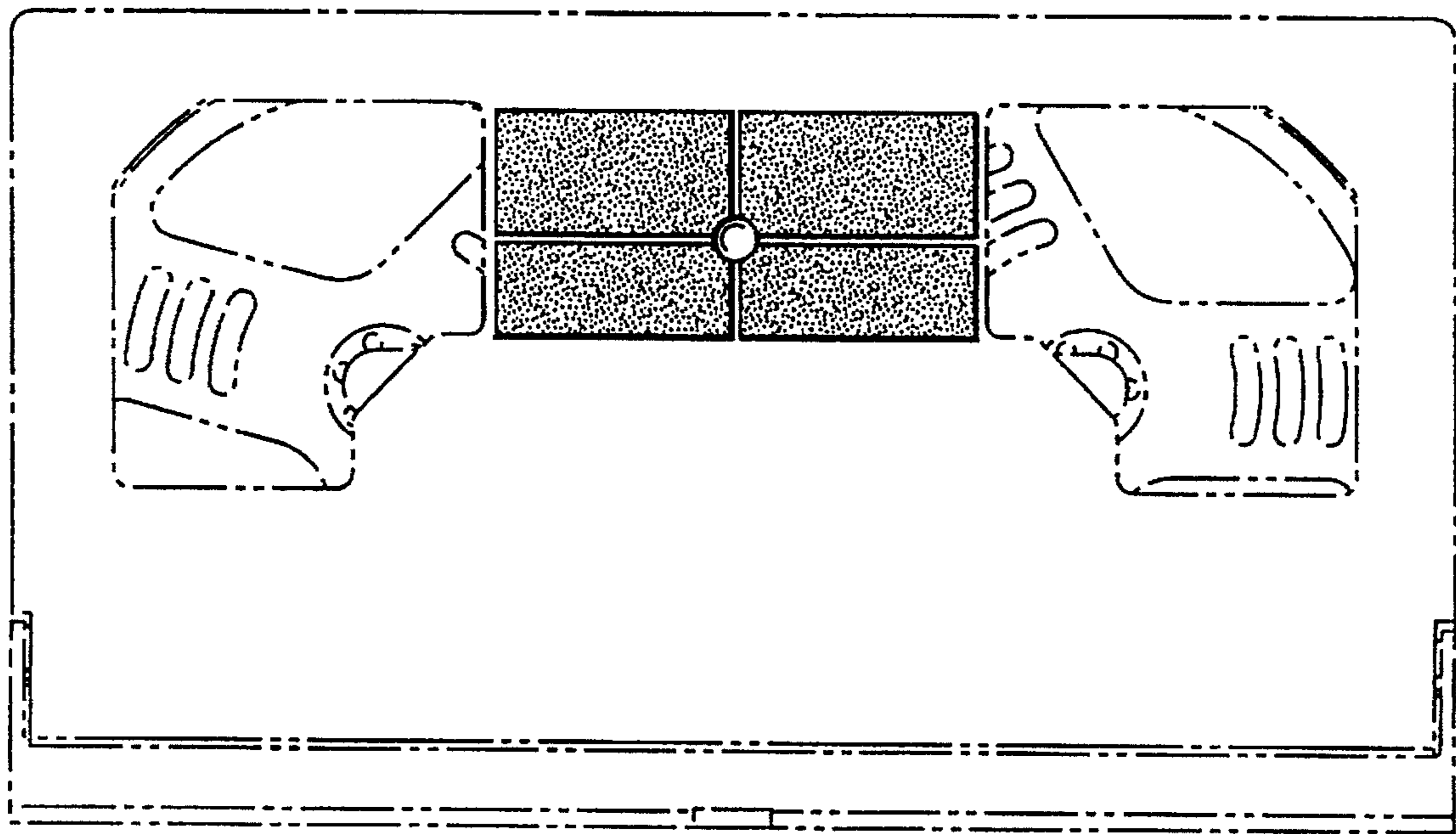


Fig. 2