



US00D379971S

# United States Patent [19]

[11] Patent Number: **Des. 379,971**

Jones et al.

[45] Date of Patent: **\*\*Jun. 17, 1997**

[54] **ELECTRONIC ORGANIZER HOUSING**

[75] Inventors: **Jeffrey M. Jones**, Highland Park, Ill.;  
**Joe Tsang Kin Shan**, Hong Kong,  
Hong Kong

[73] Assignee: **Tiger Electronics, Inc.**, Vernon Hills,  
Ill.

[\*\*] Term: **14 Years**

[21] Appl. No.: **47,697**

[22] Filed: **Dec. 11, 1995**

### Related U.S. Application Data

[63] Continuation-in-part of Ser. No. 33,670, Jan. 18, 1995,  
abandoned.

[51] LOC (6) Cl. .... **14-02**

[52] U.S. Cl. .... **D14/100**

[58] Field of Search ..... D14/100, 106,  
D14/115; D18/1, 2, 7; D19/59, 60; D21/13,  
48; 235/145 A, 145 R; 341/22, 23; 345/156,  
168, 169, 172, 173, 87; 364/708.1

### [56] References Cited

#### U.S. PATENT DOCUMENTS

D. 333,298 2/1993 Raslowsky et al. .... D14/100

D. 343,831	2/1994	Spoeth	.....	D14/106
D. 354,073	1/1995	Shigemura	.....	D18/7 X
D. 354,742	1/1995	Hamilton	.....	D14/100
D. 355,166	2/1995	Sakaguchi et al.	.....	D14/100
D. 355,170	2/1995	Mizusugi et al.	.....	D14/100

### OTHER PUBLICATIONS

Midway Mortal Kombat product, shown on p. 84 (copyright 1992) from Jan., 1994 edition of Tiger Electronics, Inc., book entitled *Lightning Strikes Again*.

*Primary Examiner*—Freda Nunn

*Attorney, Agent, or Firm*—Fitch, Even, Tabin & Flannery

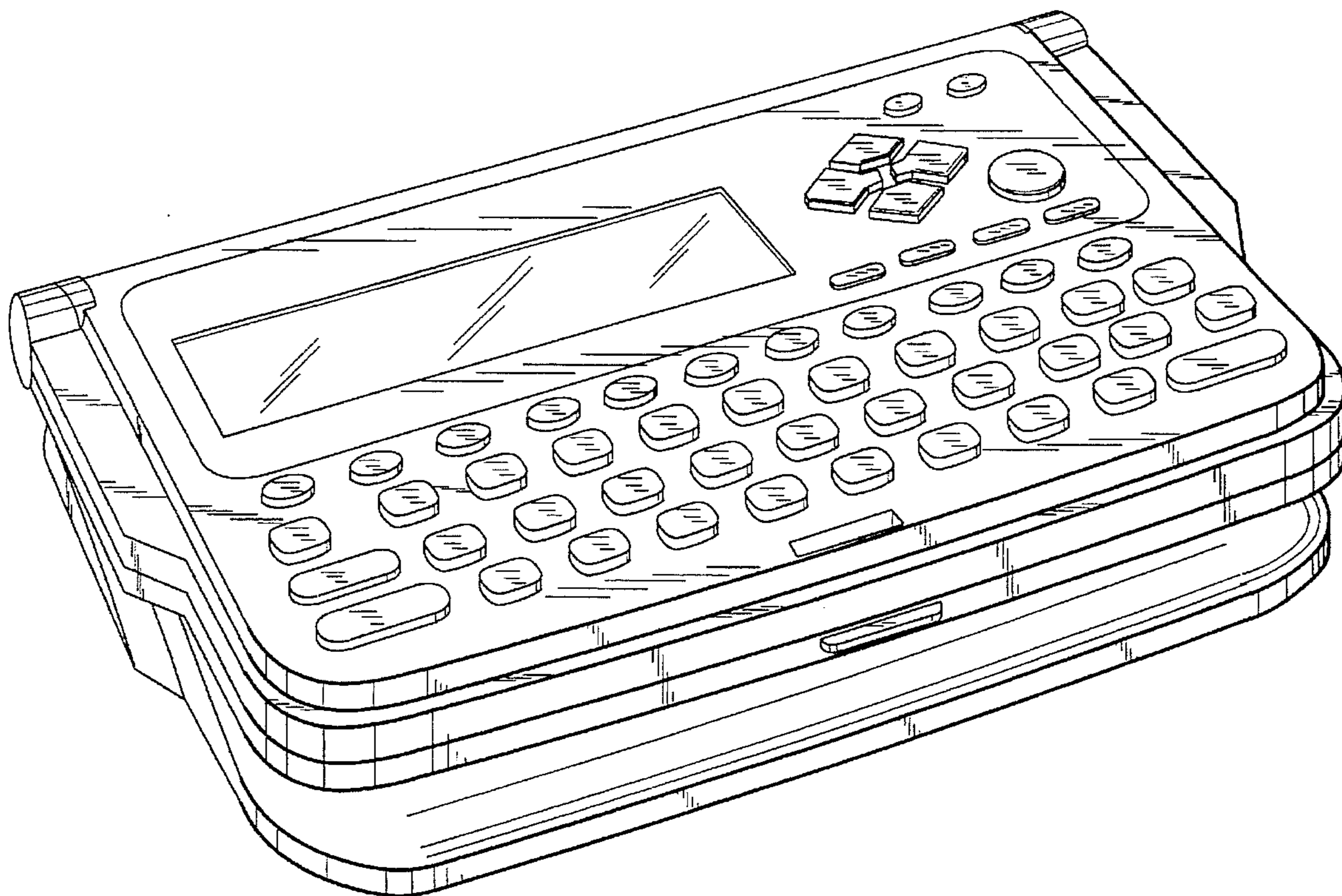
### [57] CLAIM

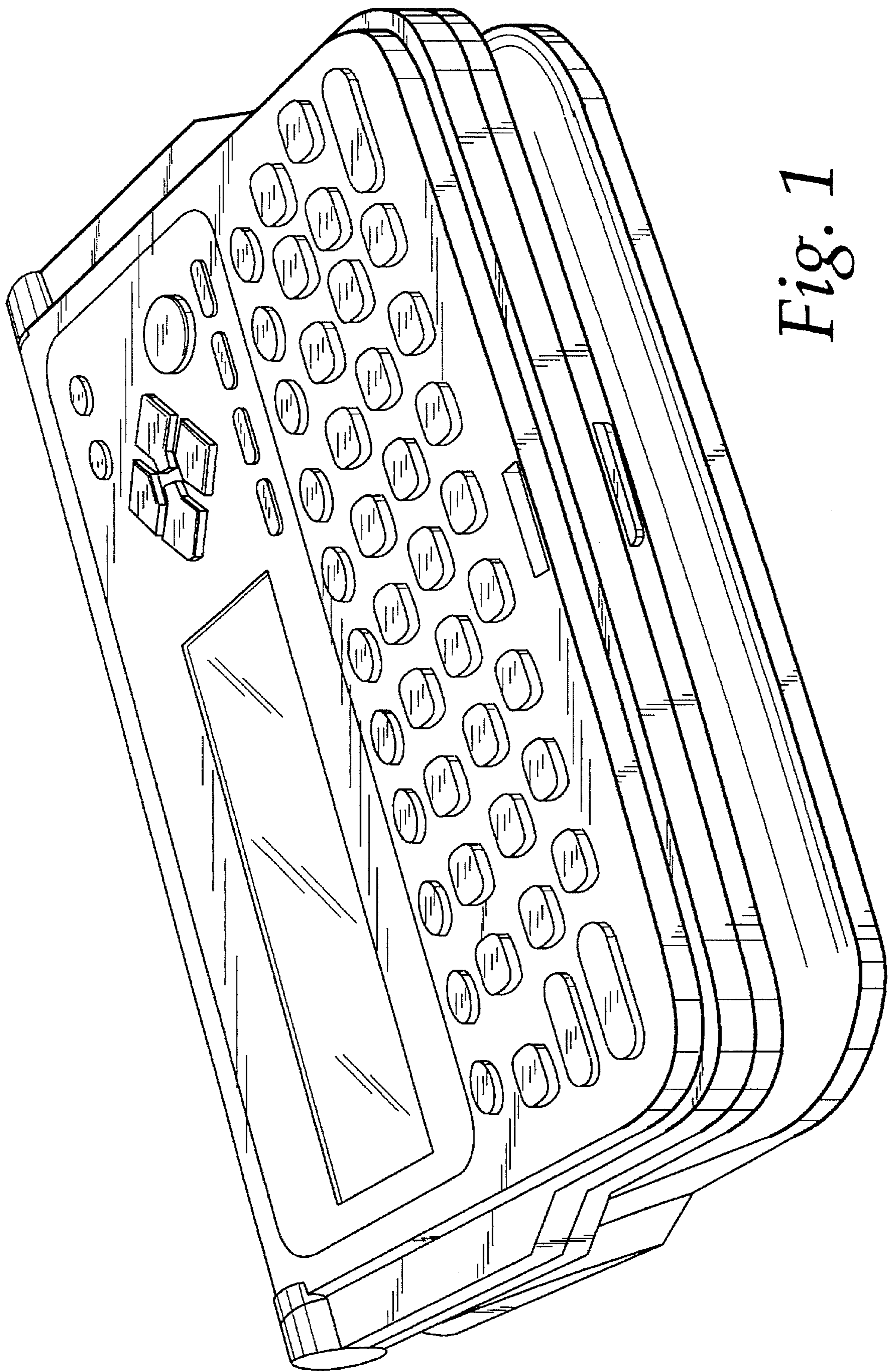
The ornamental design for the electronic organizer housing, as shown and described.

### DESCRIPTION

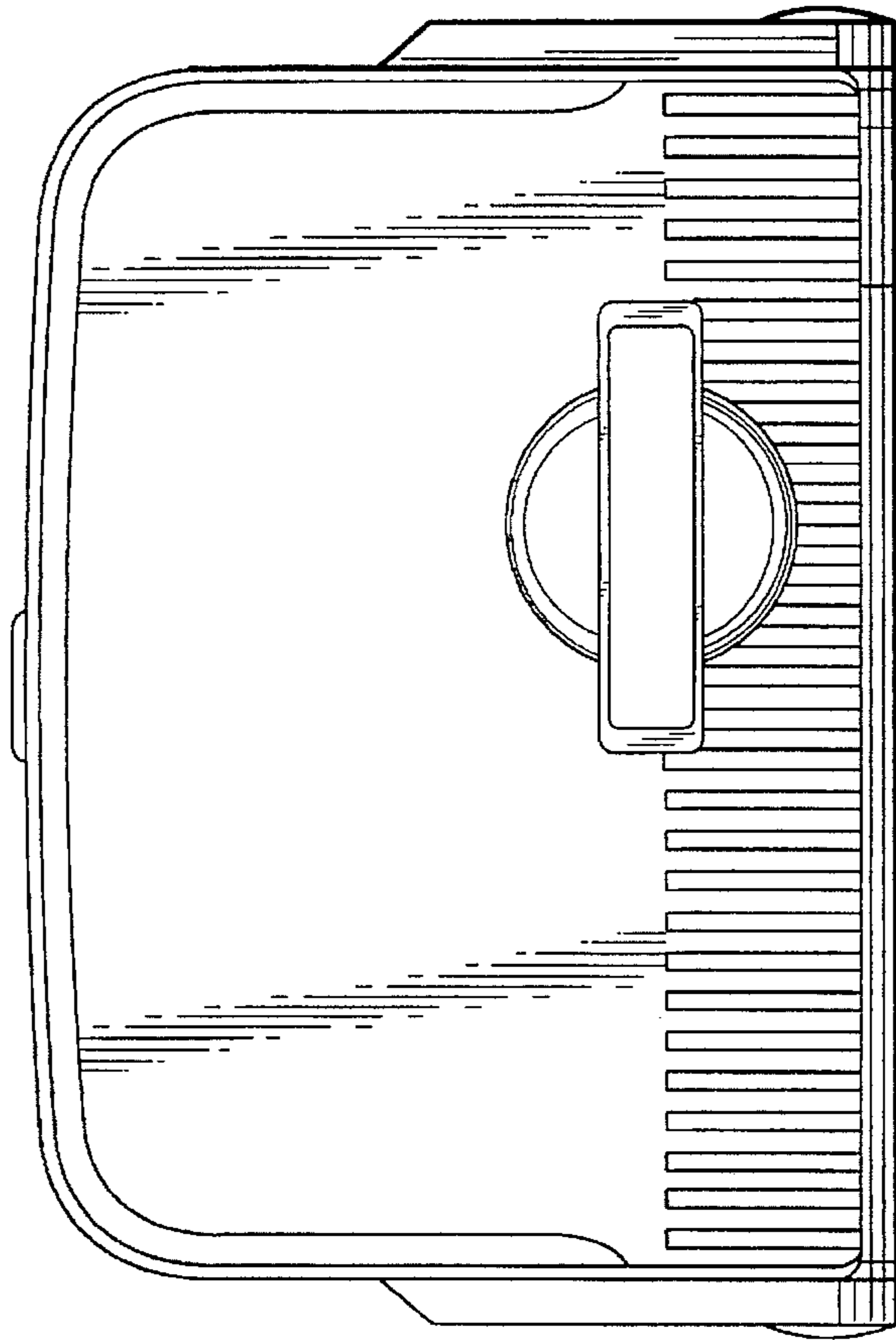
FIG. 1 is a perspective view of an electronic organizer housing showing our new design; FIG. 2 is a front elevational view thereof; FIG. 3 is a rear elevation view thereof; FIG. 4 is a top plan view thereof; FIG. 5 is a bottom plan view thereof; FIG. 6 is a right side view thereof; and, FIG. 7 is a left side view thereof.

**1 Claim, 4 Drawing Sheets**

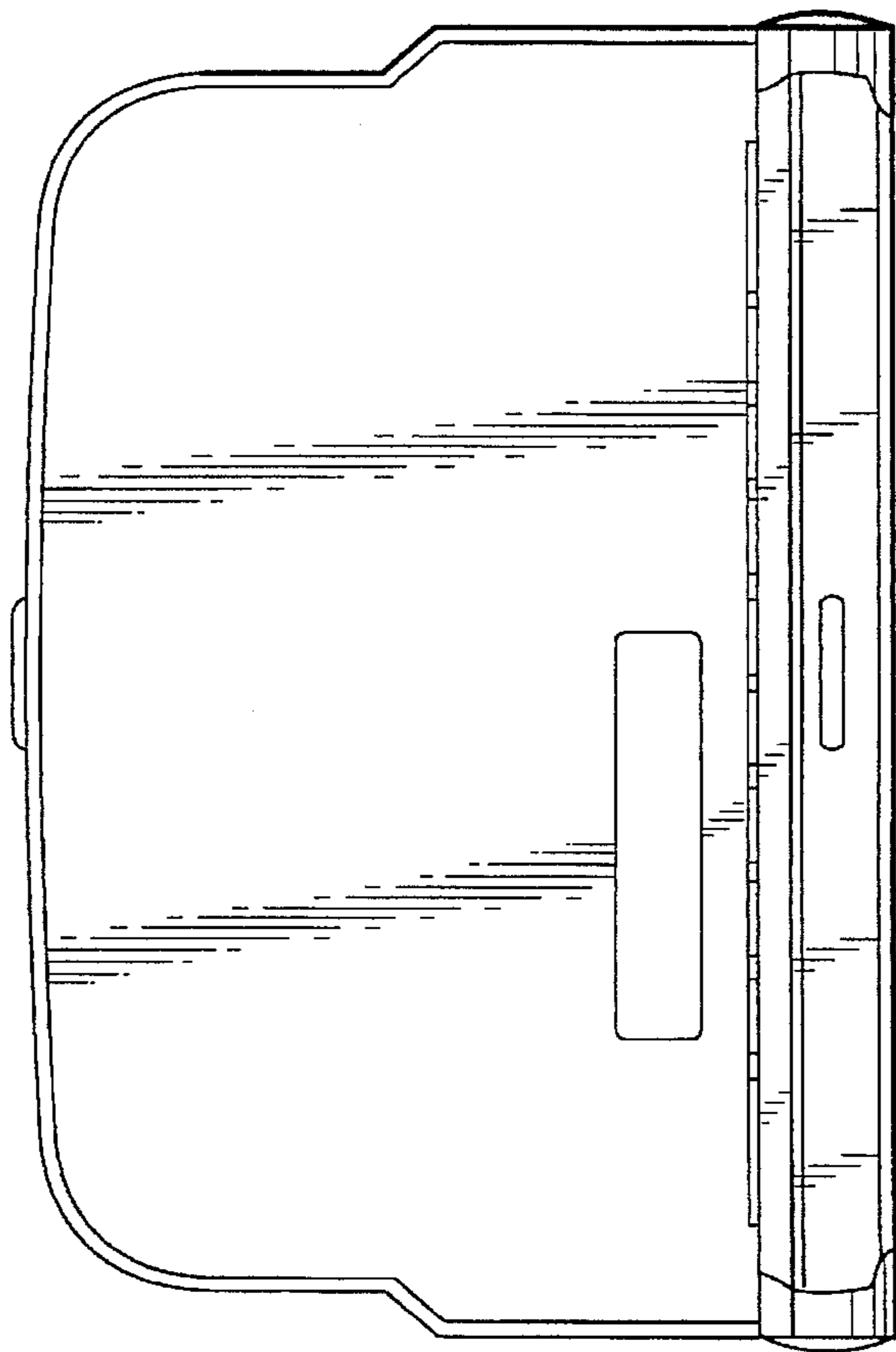




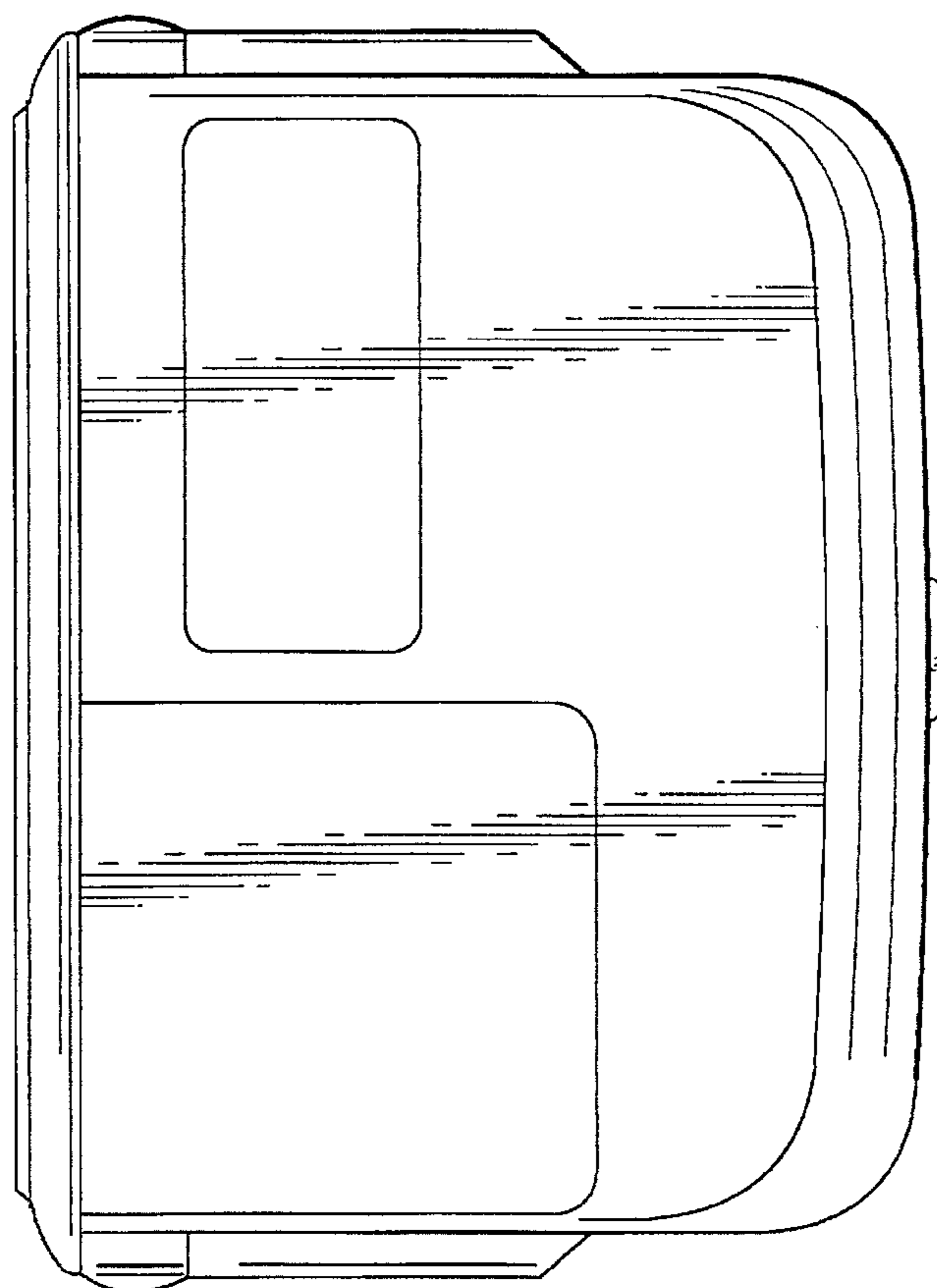
*Fig. 1*



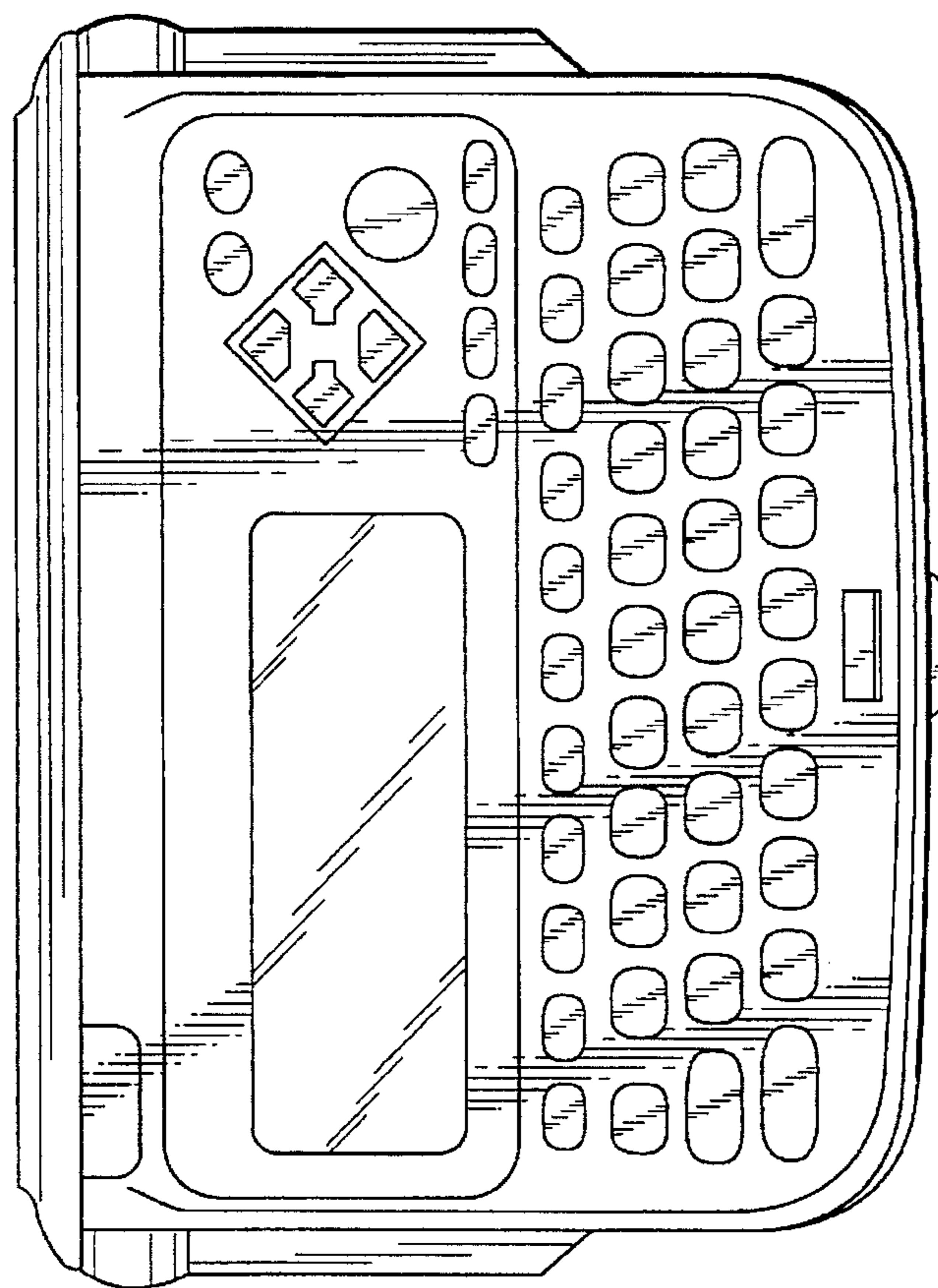
*Fig. 3*



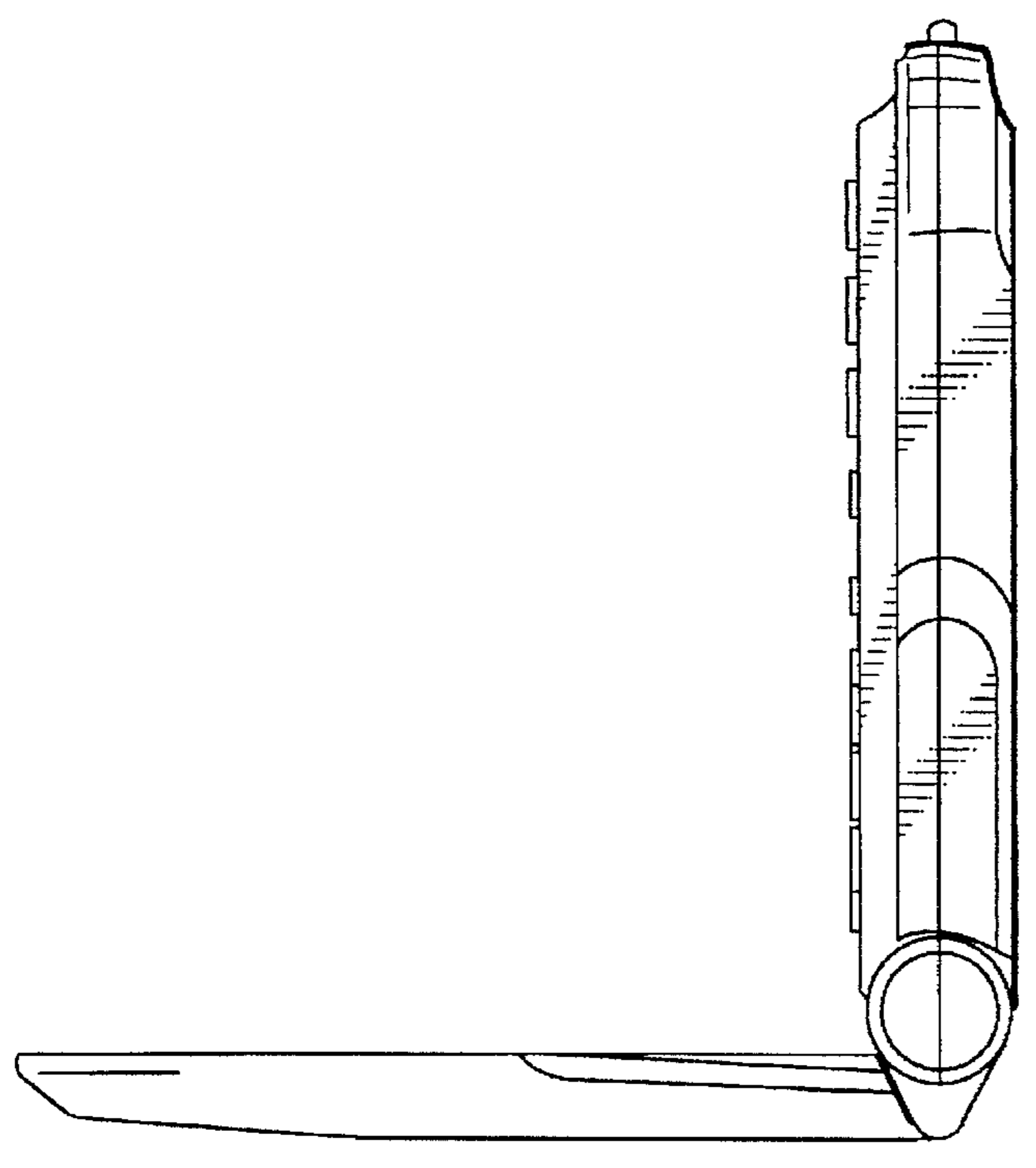
*Fig. 2*



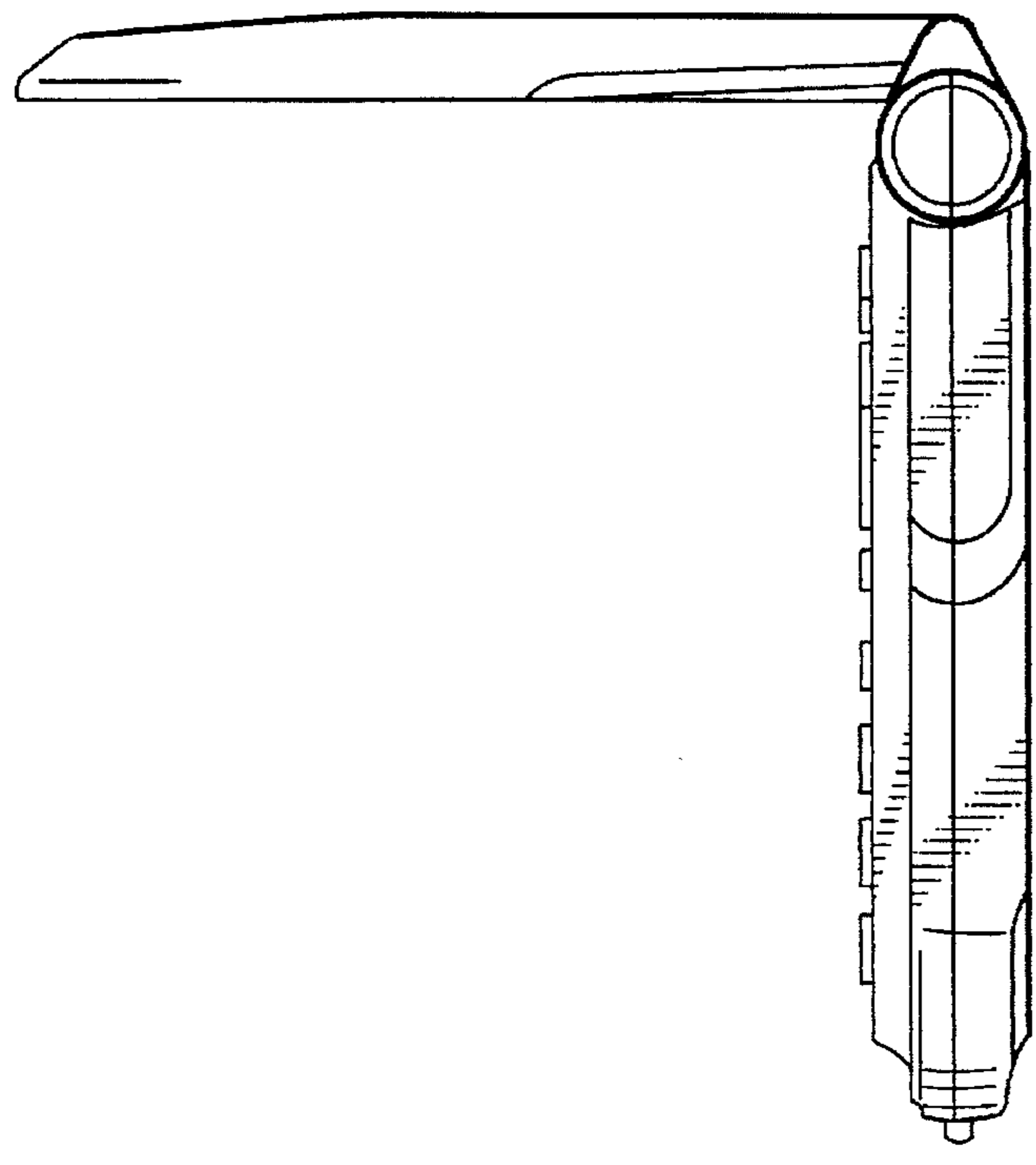
*Fig. 5*



*Fig. 4*



*Fig. 6*



*Fig. 7*