



US00D379969S

# United States Patent [19] Tan

[11] Patent Number: **Des. 379,969**  
[45] Date of Patent: **\*\*Jun. 17, 1997**

[54] **TRINITY JACK**  
[75] Inventor: **Haw-Chan Tan**, Diamond Bar, Calif.  
[73] Assignee: **Hon Hai Precision Ind. Co., Ltd.**,  
Taiwan  
[\*\*] Term: **14 Years**  
[21] Appl. No.: **47,625**  
[22] Filed: **Dec. 8, 1995**  
[51] LOC (6) Cl. .... **13-03**  
[52] U.S. Cl. .... **D13/147**  
[58] Field of Search ..... **D13/133, 147;**  
**439/62, 76, 78, 82, 83, 607, 608, 609, 610,**  
**668, 669**

Phone jacks on pp. 1-8 and 1-9 of Switchcraft catalog J90 1989.

Phone jacks on pp. 1-18 and 1-19 of Switchcraft catalog J90 1989.

*Primary Examiner*—Joel Sincavage

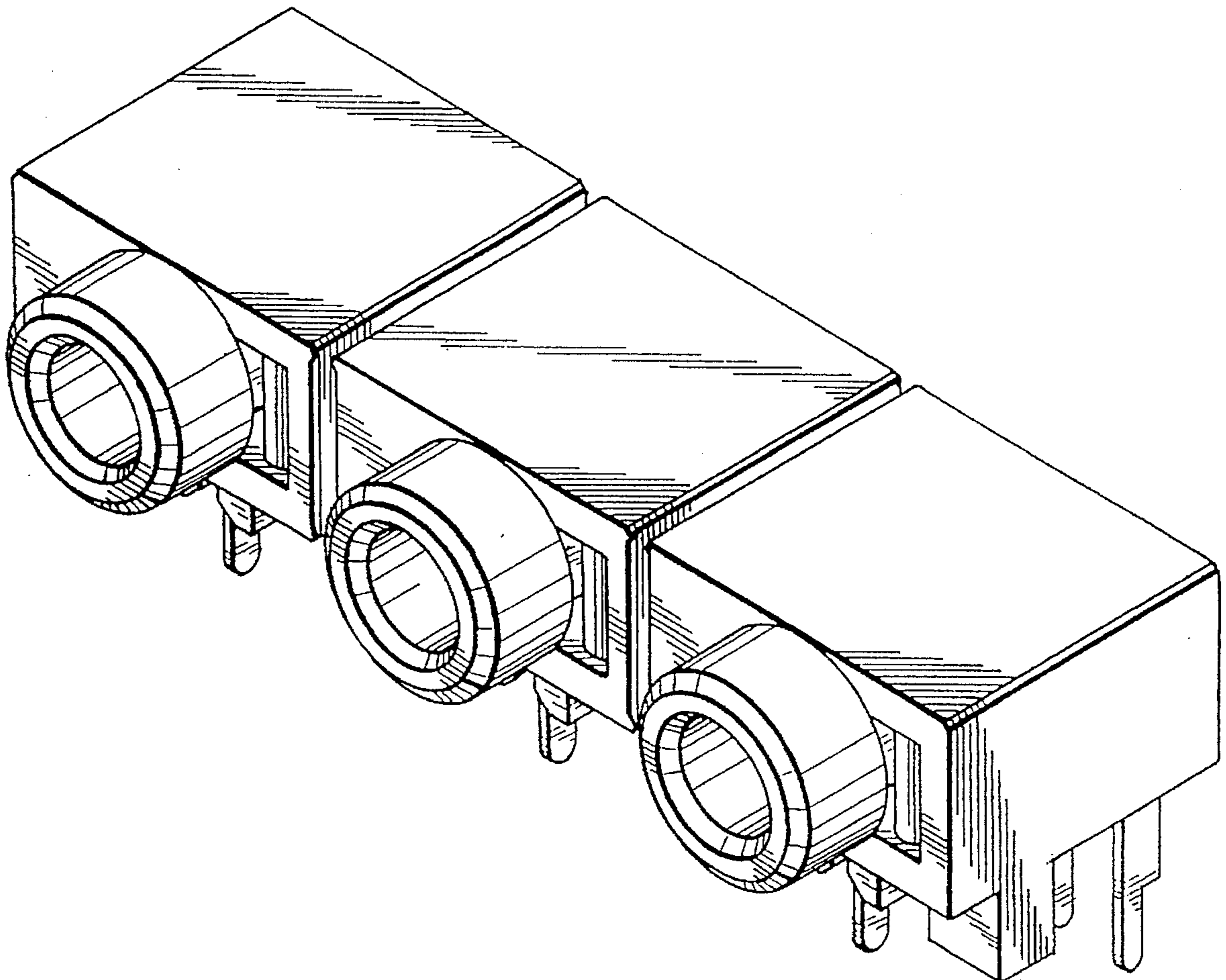
[57] **CLAIM**  
The ornamental design for a trinity jack, as shown.

### DESCRIPTION

FIG. 1 is a perspective view of the trinity jack showing my design;  
FIG. 2 is a front elevational view thereof;  
FIG. 3 is a rear elevational view thereof;  
FIG. 4 is a left view thereof;  
FIG. 5 is a right view thereof;  
FIG. 6 is a top plan view thereof; and,  
FIG. 7 is a bottom plan view thereof.

[56] **References Cited**  
**U.S. PATENT DOCUMENTS**  
5,338,215 8/1994 Lee et al. .... 439/188  
**OTHER PUBLICATIONS**  
Pin Jack JP J0811-01-010 on p. 16 of Hosiden catalog, May 1987.  
Pin Jacks on p. 15 and 16 of Hoisden catalog Nov. 1987.

**1 Claim, 4 Drawing Sheets**



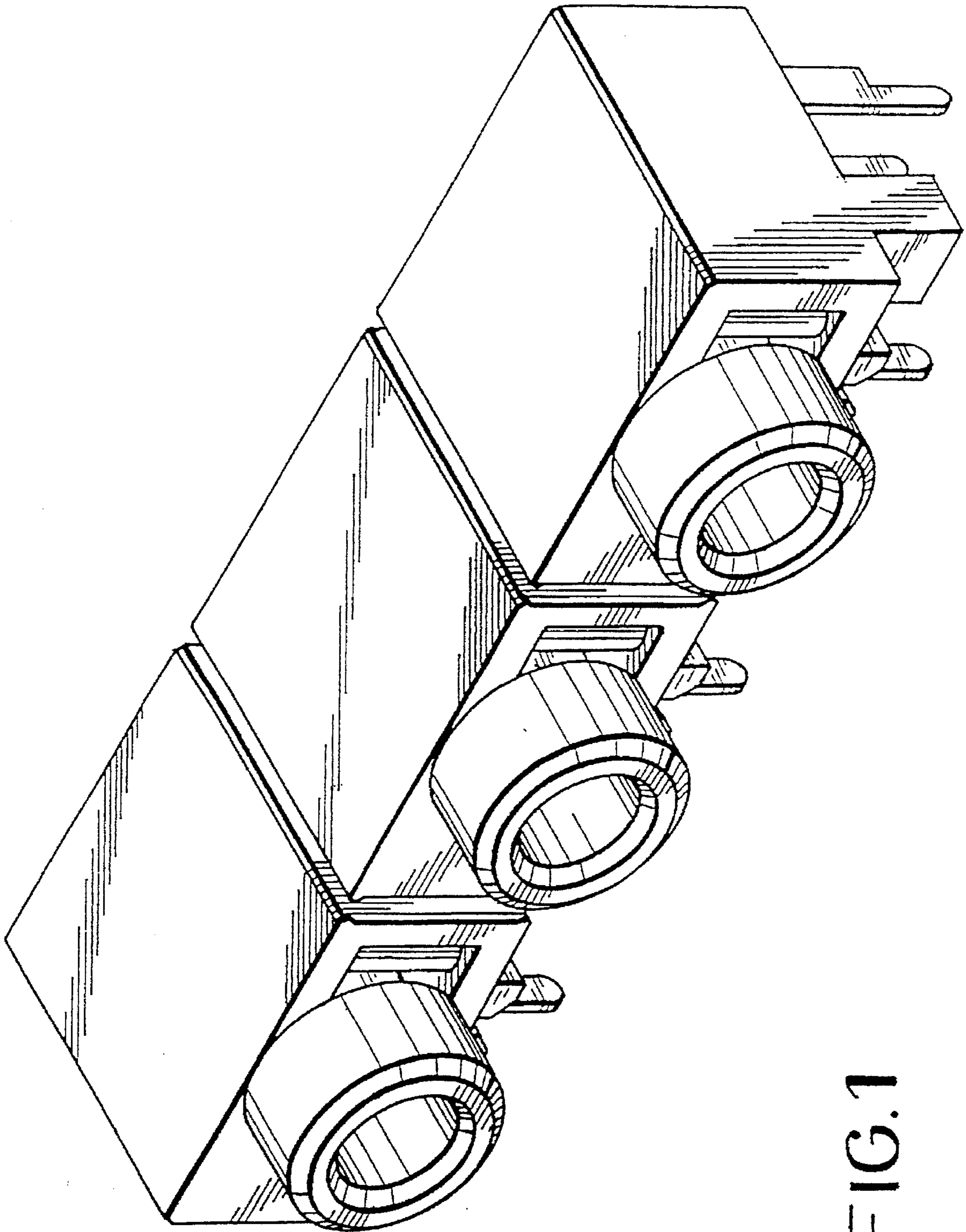


FIG.1

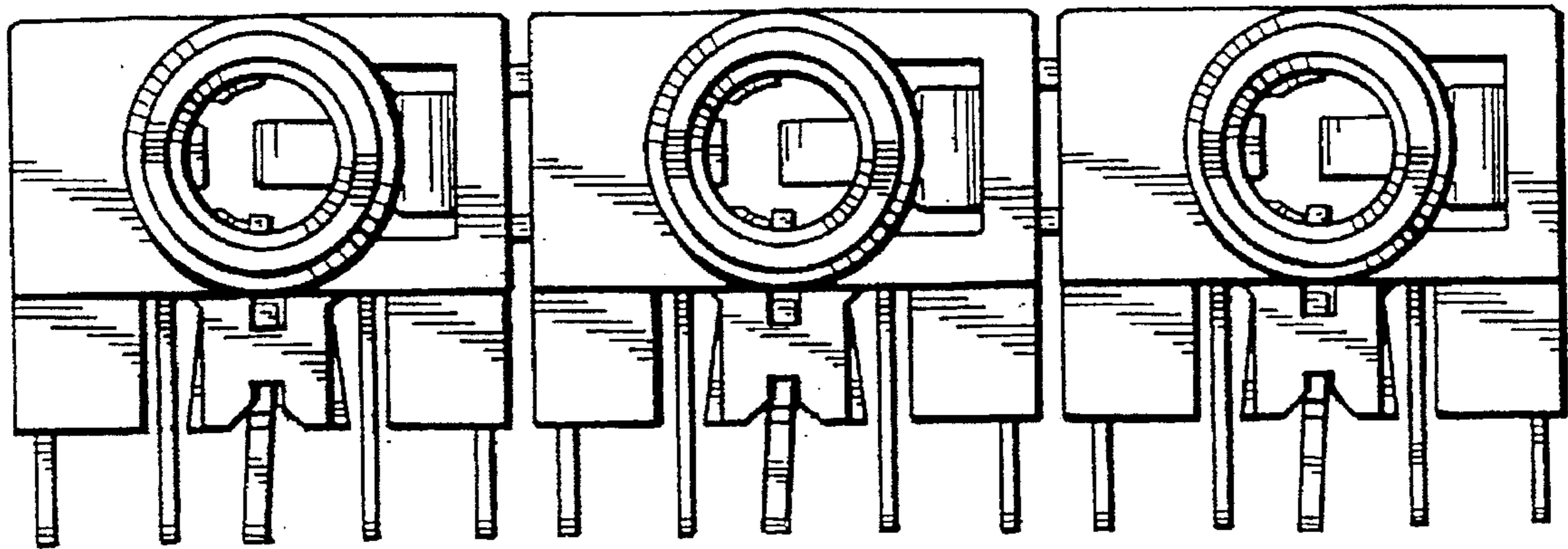


FIG. 2

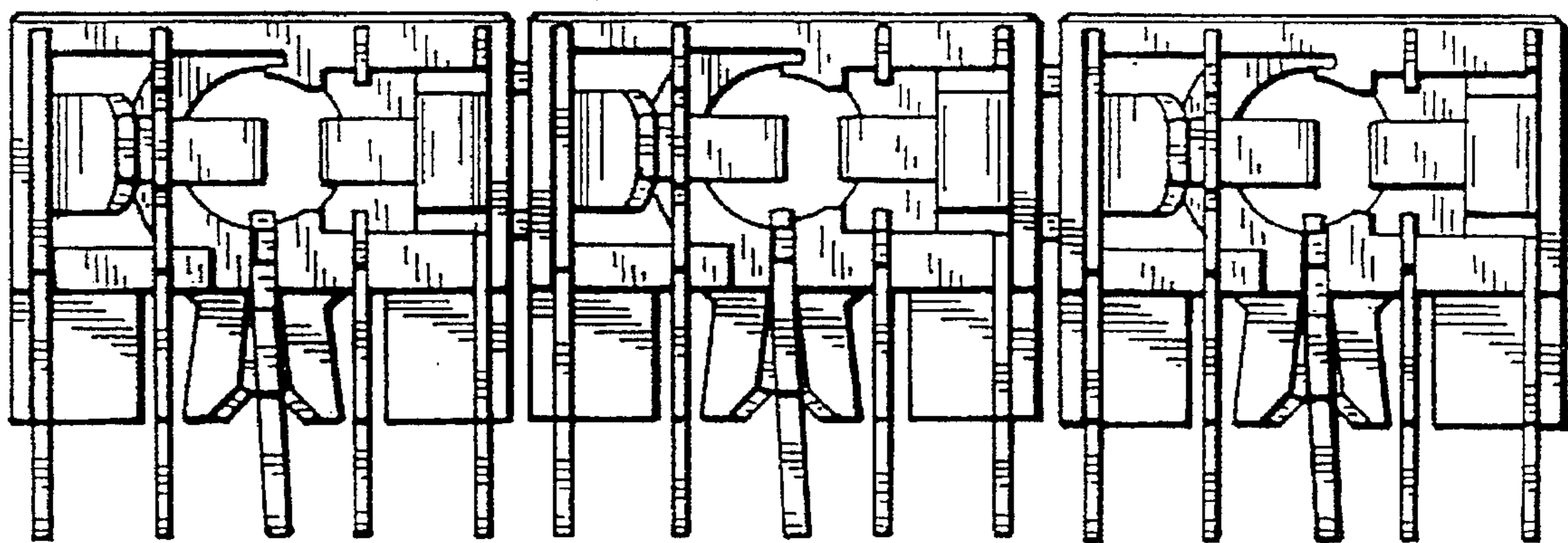


FIG. 3

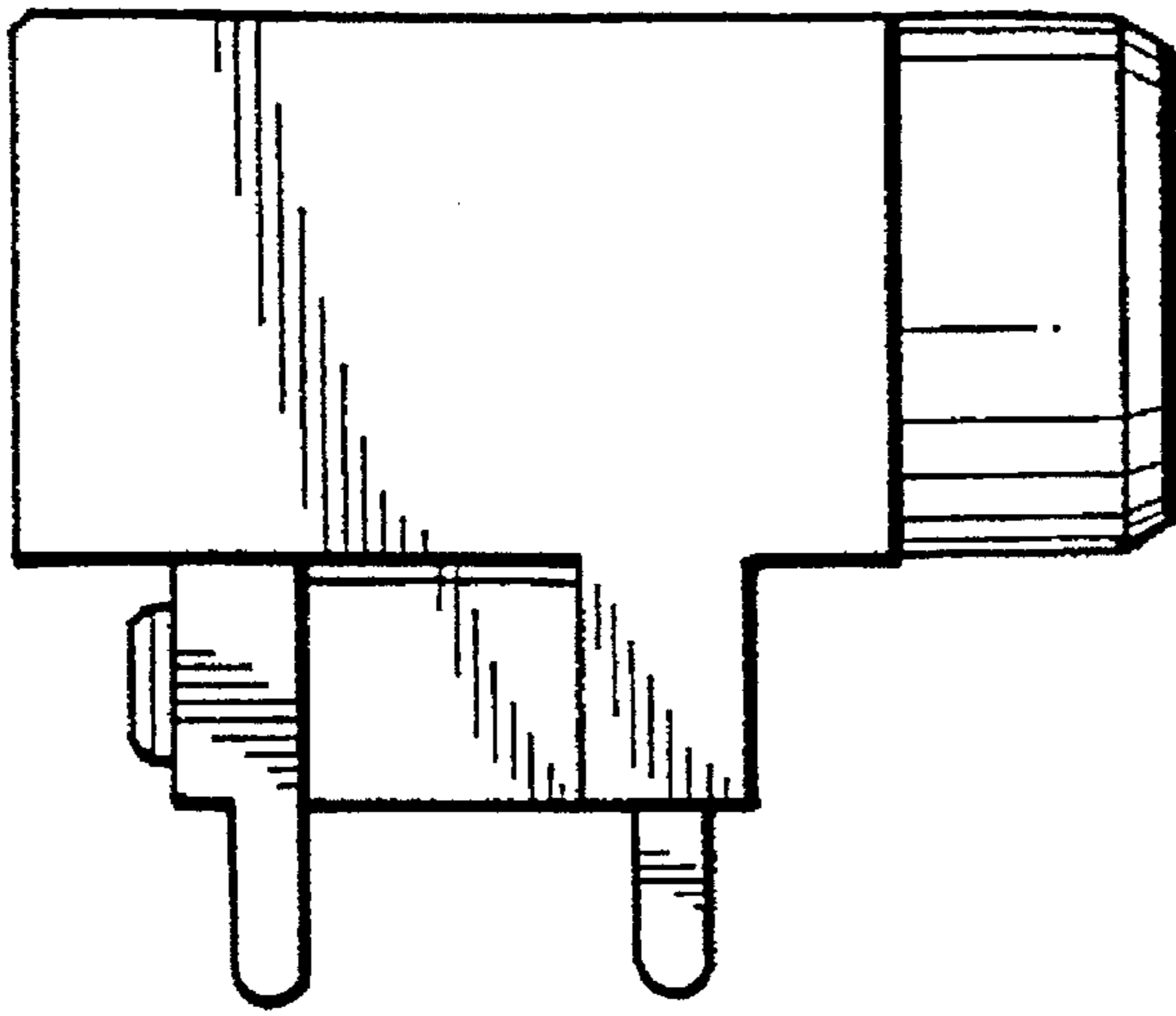


FIG. 4

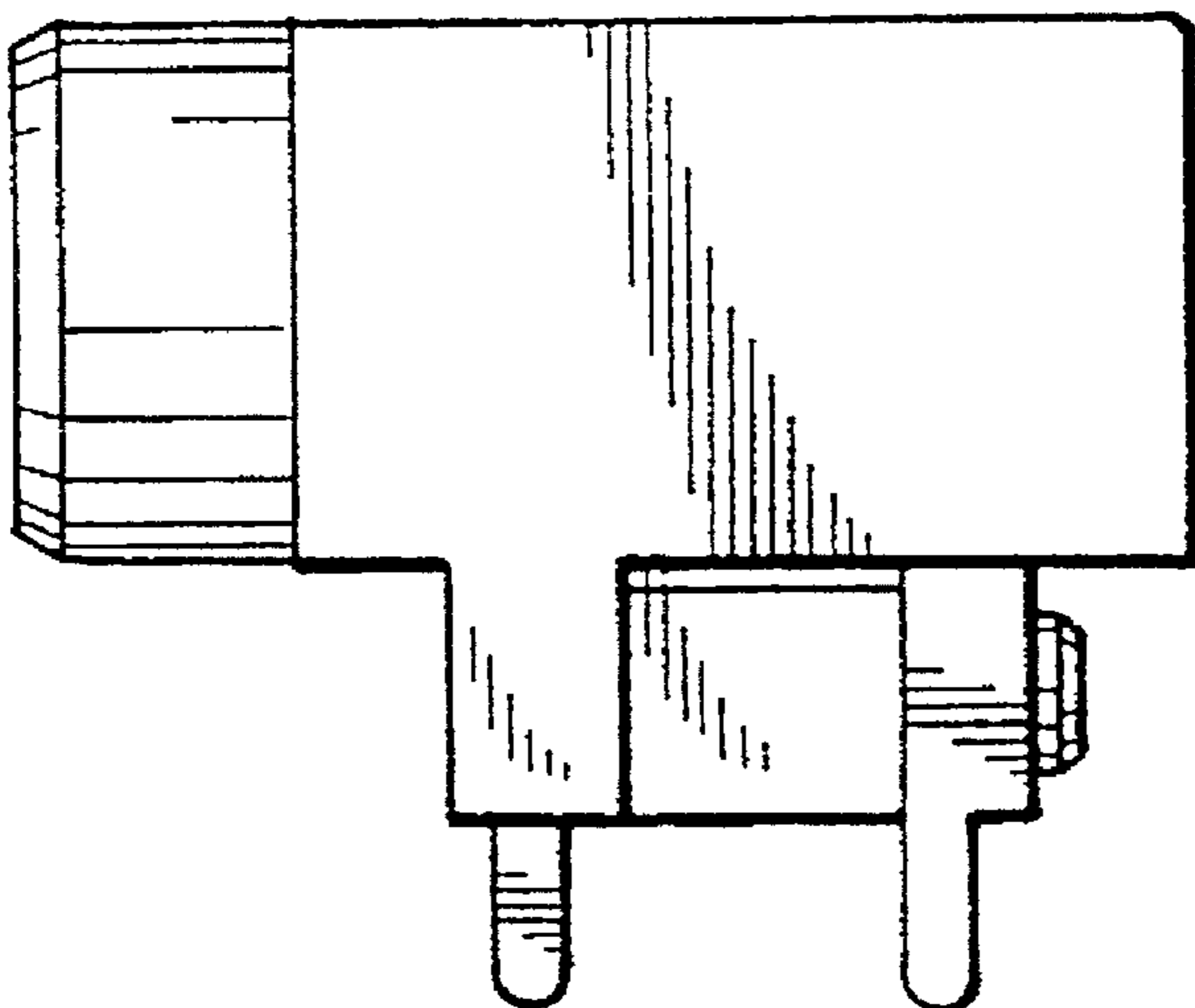


FIG 5

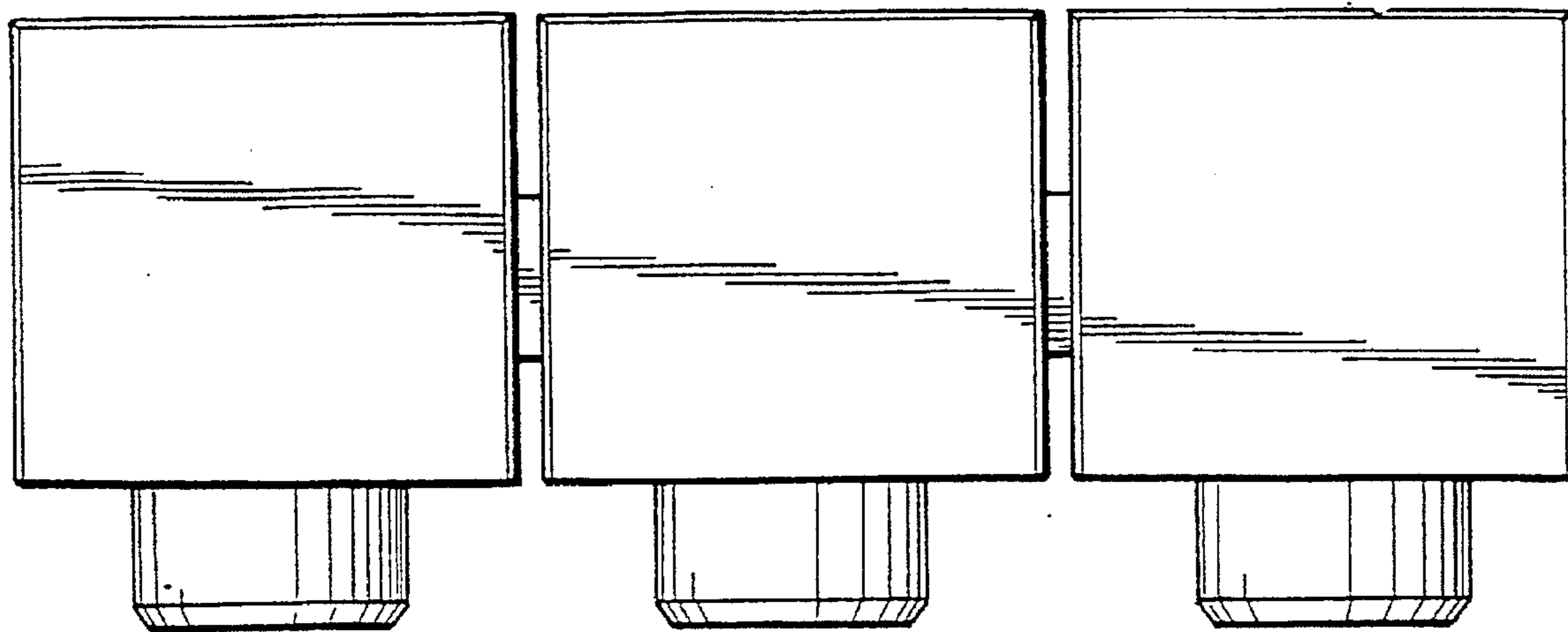


FIG. 6

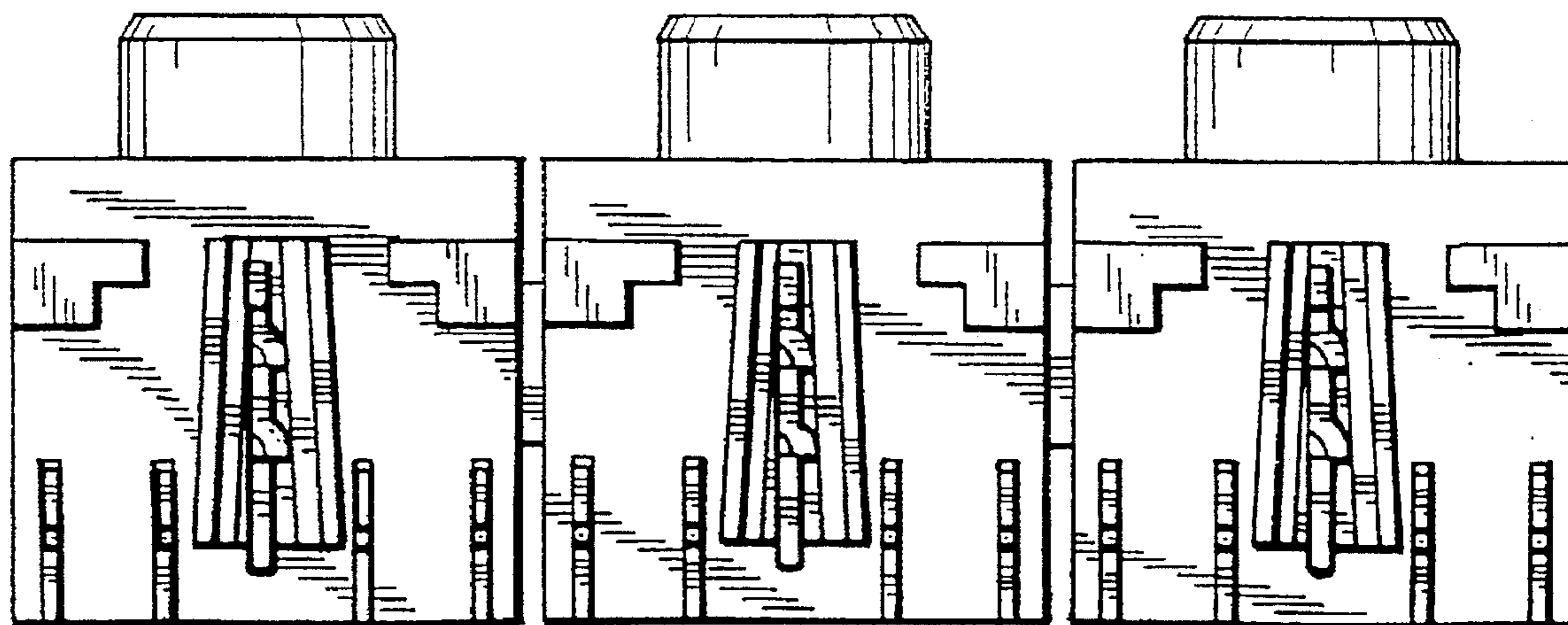


FIG. 7