



US00D379965S

United States Patent [19]
Parshad

[11] **Patent Number: Des. 379,965**

[45] **Date of Patent: **Jun. 17, 1997**

[54] **POWER BAR**

[75] **Inventor: David A. Parshad, Markham, Canada**

[73] **Assignee: Noma Inc., Scarborough, Canada**

[**] **Term: 14 Years**

[21] **Appl. No.: 41,132**

[22] **Filed: Jul. 7, 1995**

[51] **LOC (6) Cl. 13-03**

[52] **U.S. Cl. D13/142**

[58] **Field of Search D13/137, 140,
D13/142, 160; 439/650, 651, 652, 653**

[56] **References Cited**

U.S. PATENT DOCUMENTS

- D. 270,629 9/1983 Drew D13/143
- D. 306,012 2/1990 Oesterheld et al. D13/142 X
- D. 319,213 8/1991 Wiand D13/142
- D. 356,544 3/1995 Fladung D13/142

Primary Examiner—Joel Sincavage
Attorney, Agent, or Firm—Kenneth M. Garrett

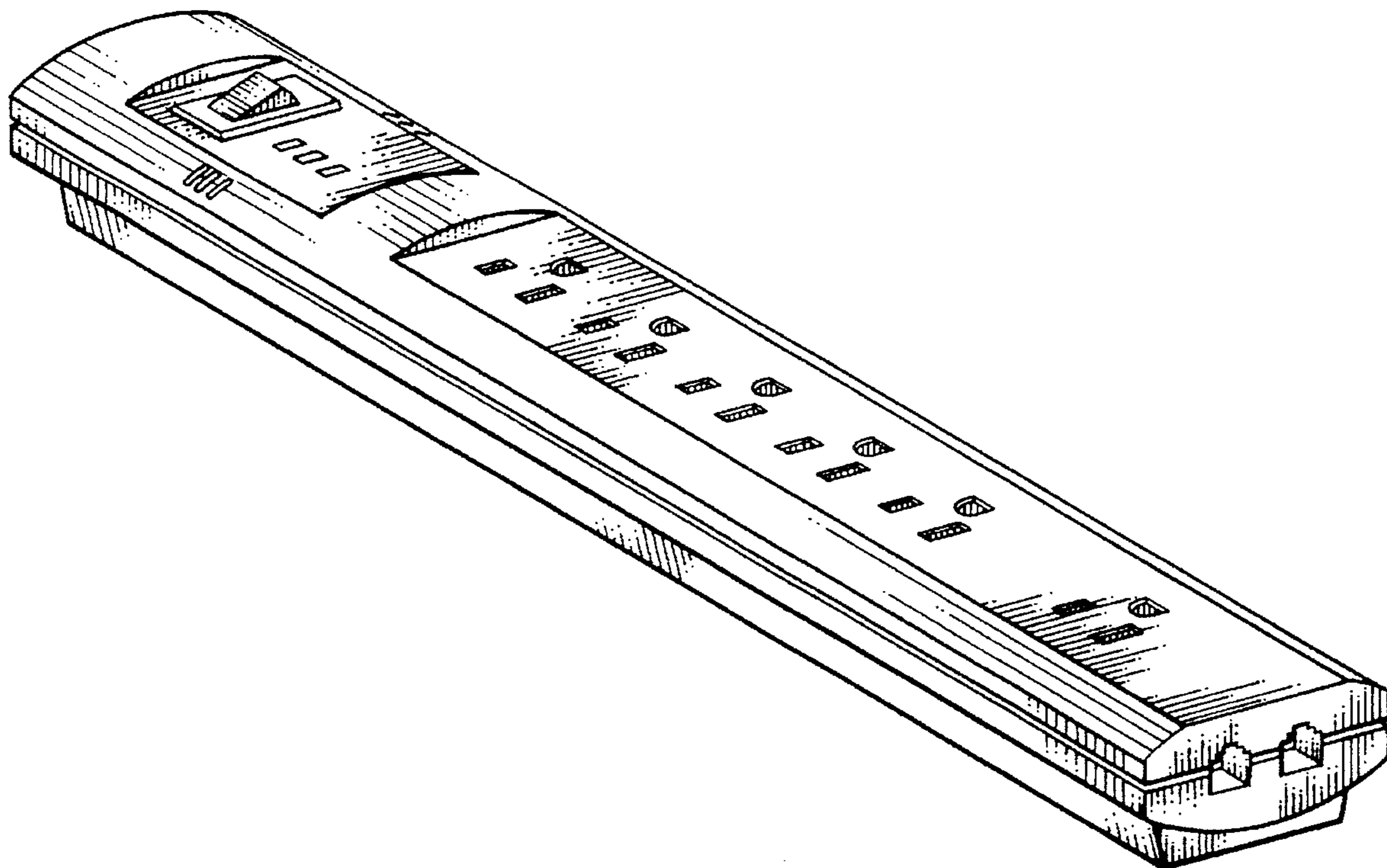
[57] **CLAIM**

The ornamental design for power bar, as shown and described.

DESCRIPTION

FIG. 1 is a top, front, left perspective view of a power bar showing my new design;
 FIG. 2 is a top plan view thereof;
 FIG. 3 is a bottom plan view thereof;
 FIG. 4 is a front elevation thereof, the back elevation being the mirror image;
 FIG. 5 is a left side elevation;
 FIG. 6 is a right side elevation;
 FIG. 7 is similar to FIG. 4 but shows a second embodiment of the design; and,
 FIG. 8 is a left side elevation of the embodiment of FIG. 7, the appearance of the second embodiment otherwise being identical to that of the first embodiment.

1 Claim, 3 Drawing Sheets



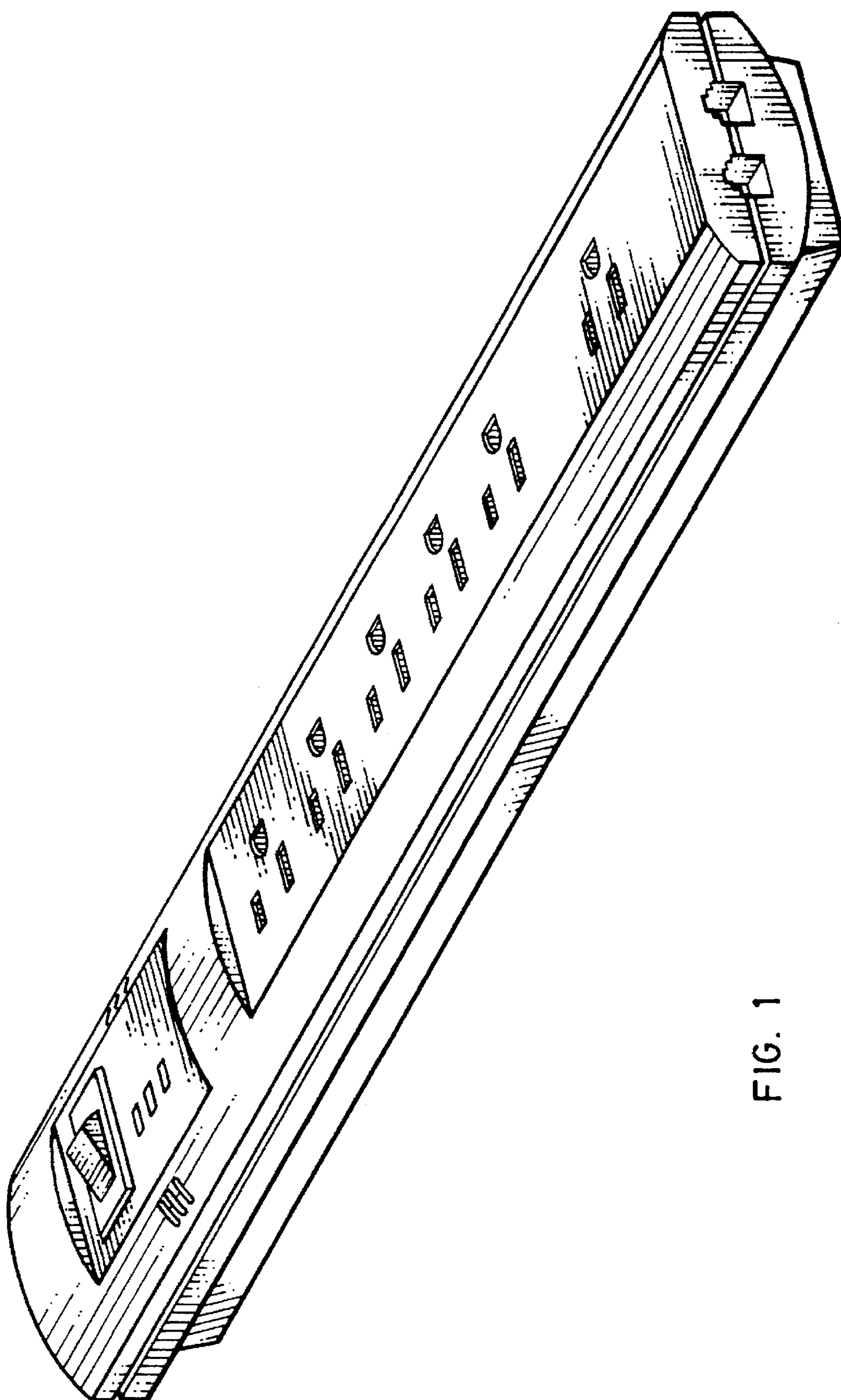


FIG. 1

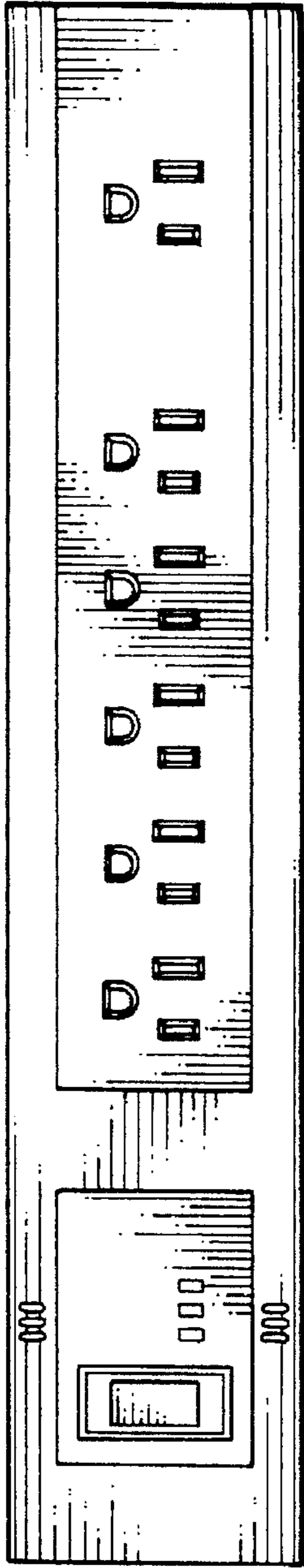


FIG. 2

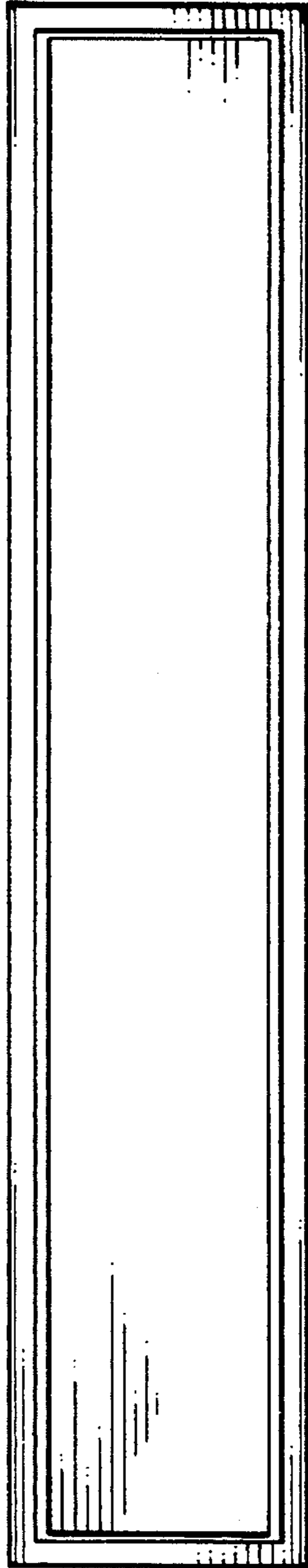


FIG. 3

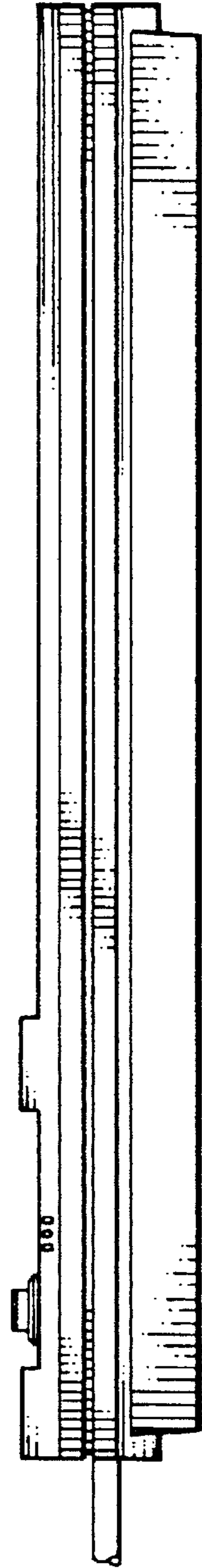


FIG. 4

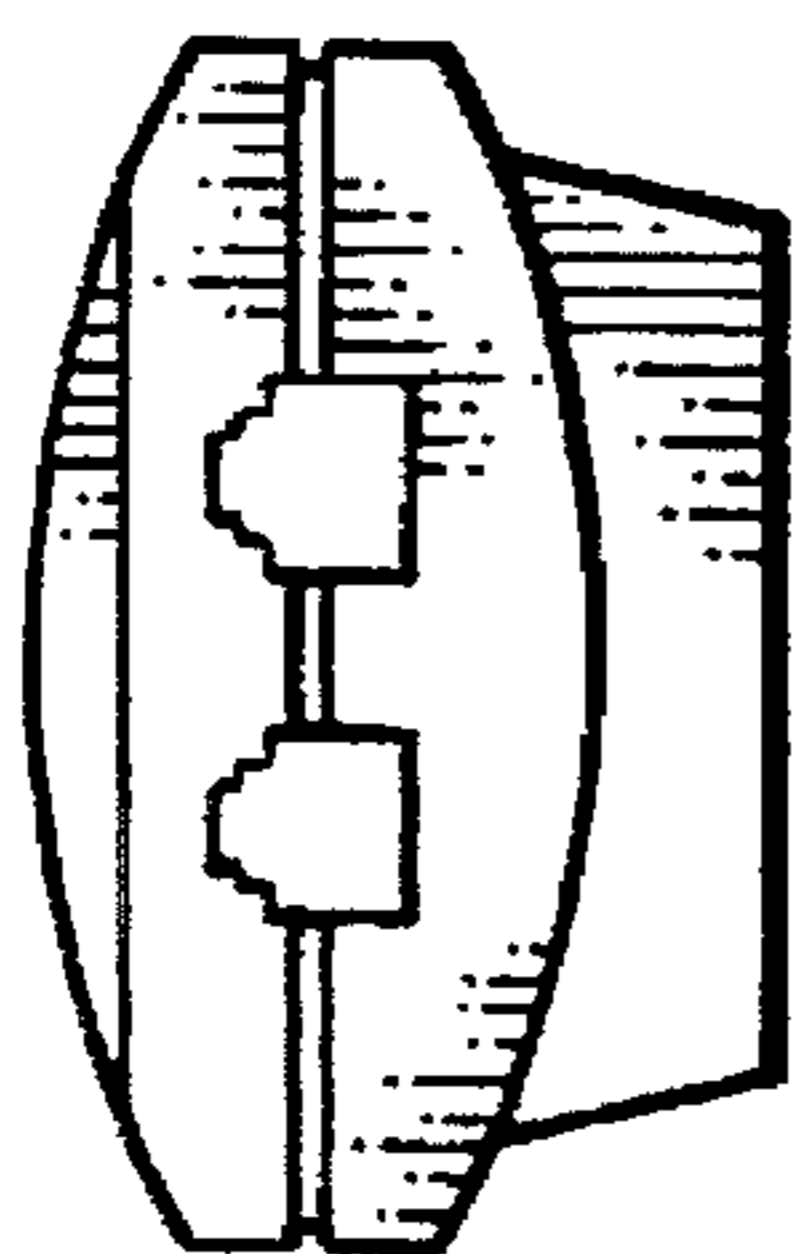


FIG. 5

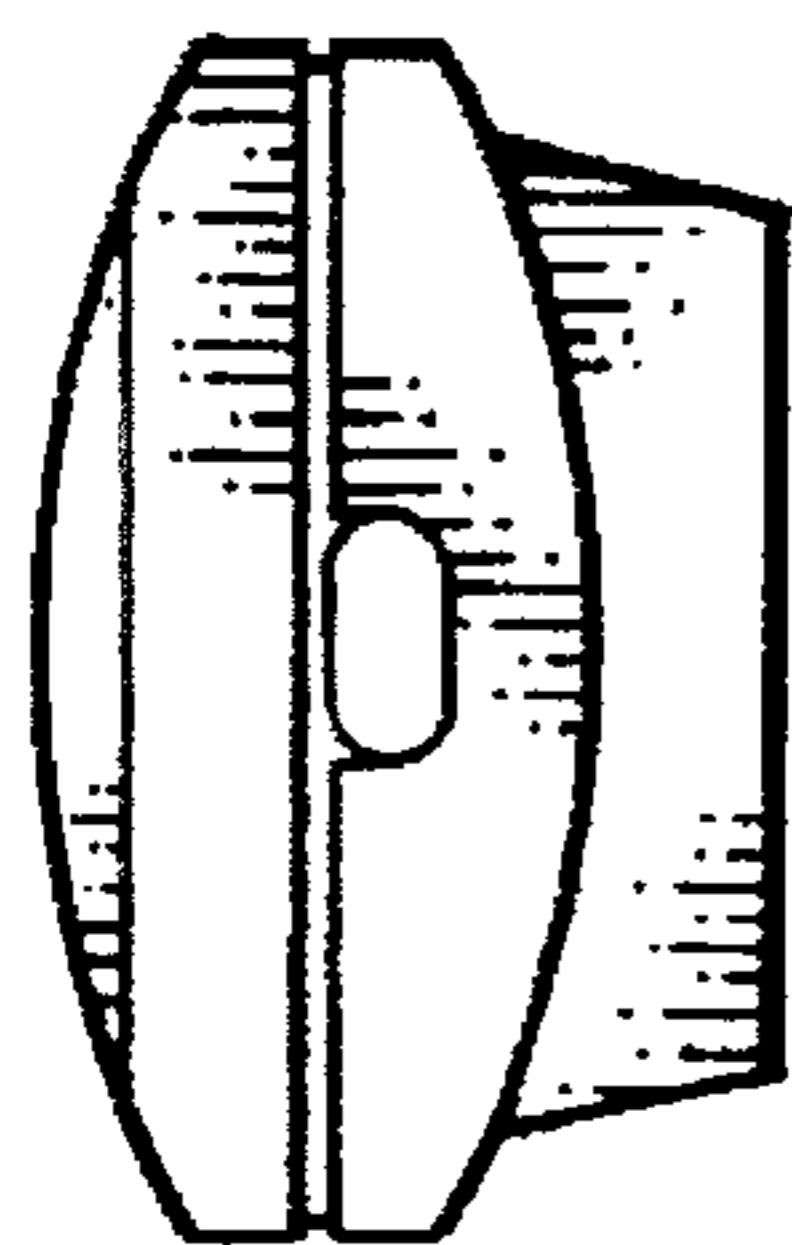


FIG. 6

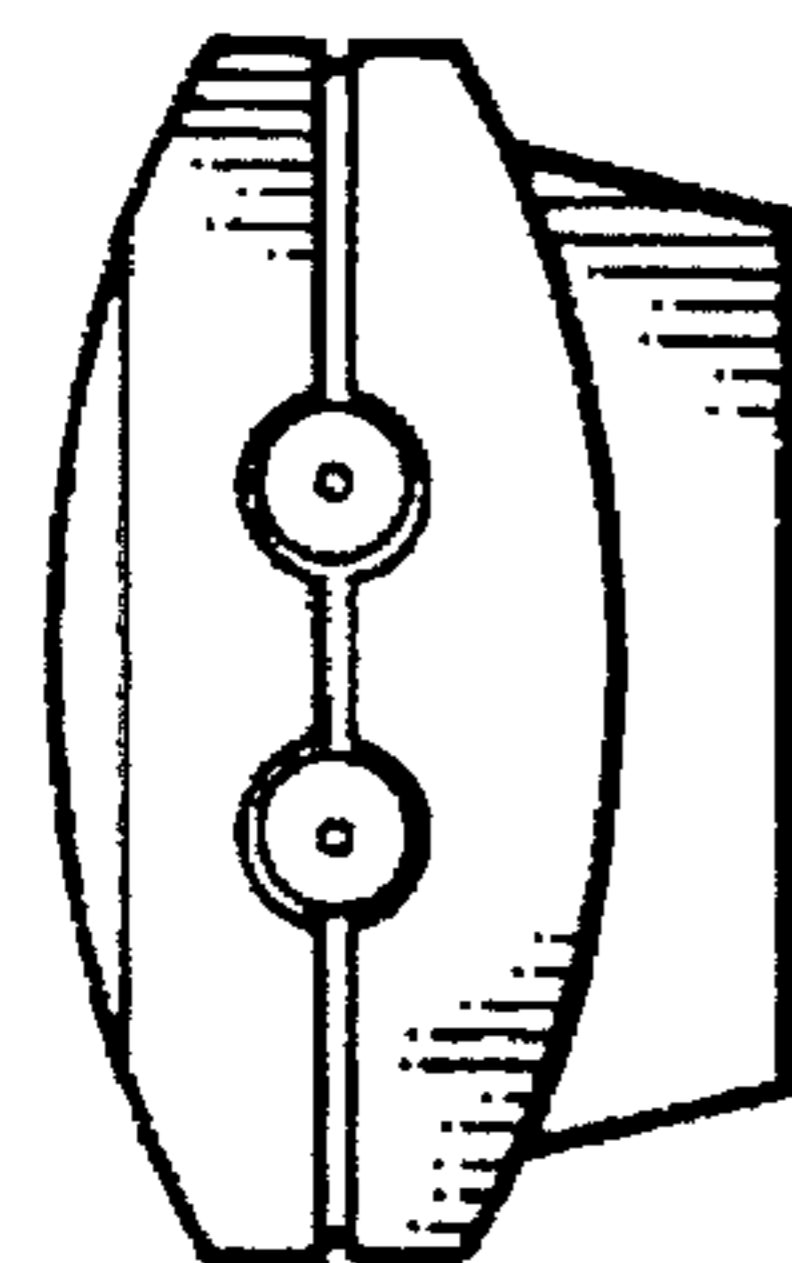


FIG. 8

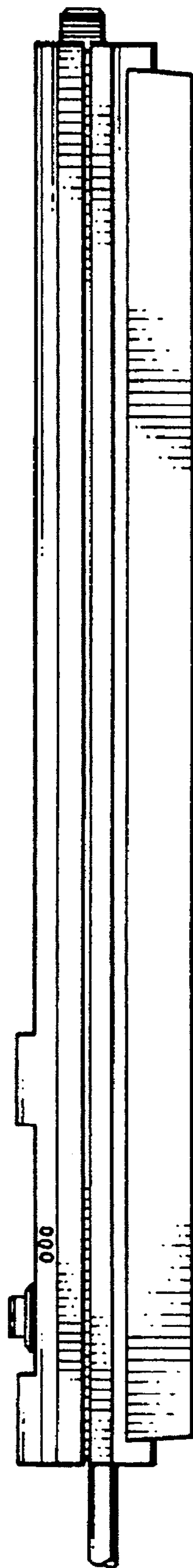


FIG. 7