



US00D379964S

United States Patent [19]

Maddock et al.

[11] Patent Number: Des. 379,964

[45] Date of Patent: **Jun. 17, 1997

[54] LOW PROFILE LEVER-OFF PLUG

[75] Inventors: William H. Maddock, Aurora; Samuel K-H. Ng, Toronto, both of Canada

[73] Assignee: Noma, Inc., Scarborough, Canada

[**] Term: 14 Years

[21] Appl. No.: 52,234

[22] Filed: Mar. 29, 1996

D. 362,228	9/1995	Hedrick	D13/138
2,051,425	8/1936	Schlums	439/160
4,857,013	8/1989	Peters	439/484

Primary Examiner—Joel Sincavage
Attorney, Agent, or Firm—Kenneth M. Garrett

[57] CLAIM

The ornamental design for low profile lever-off plug, as shown and described.

DESCRIPTION

FIG. 1 is a perspective view from the top, front, right side of a low profile lever-off plug showing our new design; FIG. 2 is a plan view from above thereof; FIG. 3 is a plan view from below thereof; FIG. 4 is a right side elevation thereof, the left side elevation being a mirror image thereof; FIG. 5 is a front elevation thereof; and, FIG. 6 is similar to FIG. 2, but shows an alternative form of our design; except for the appearance of the strain reliever and the angle at which this meets the plug body, all aspects of the alternative form are the same as those seen in FIGS. 1-5.

In the drawings, surrounding structure not forming a part of our design is shown in dashed outline.

Related U.S. Application Data

[63] Continuation-in-part of Ser. No. 36,047, Mar. 13, 1995, abandoned.

[51] LOC (6) Cl. 13-03

[52] U.S. Cl. D13/138

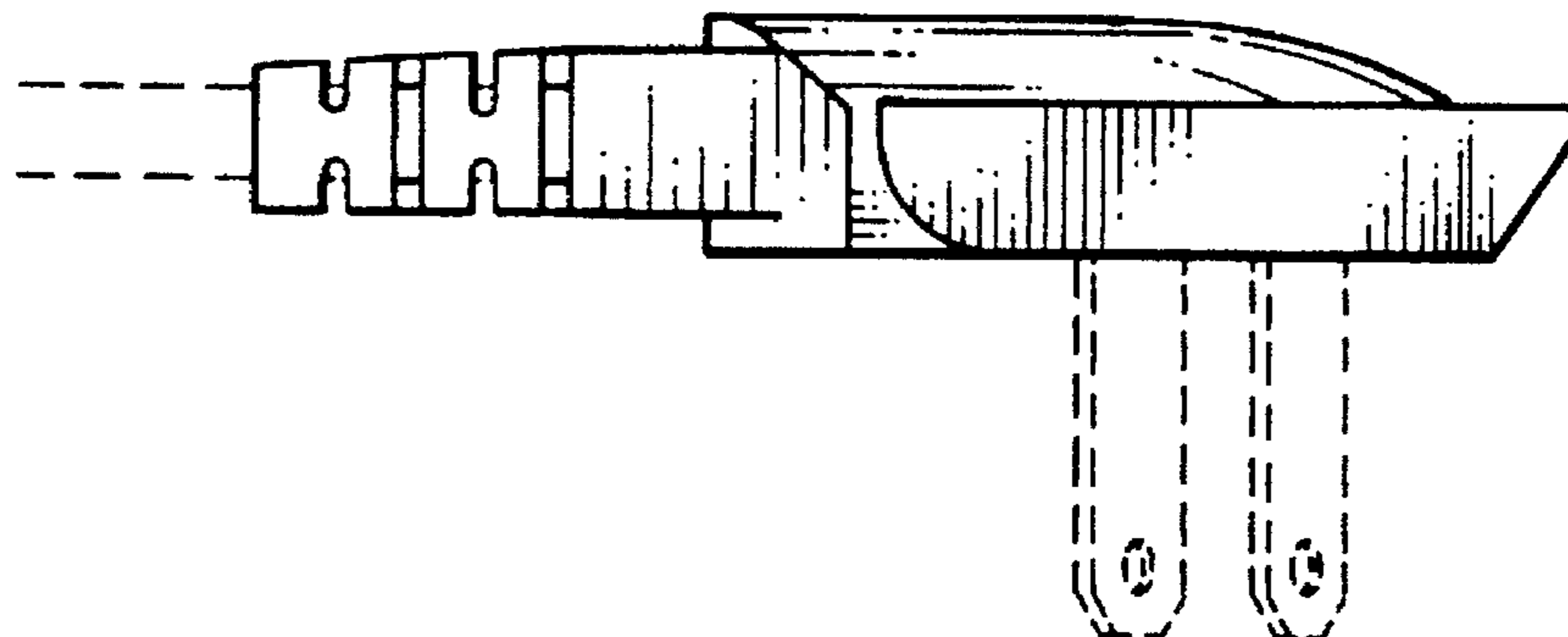
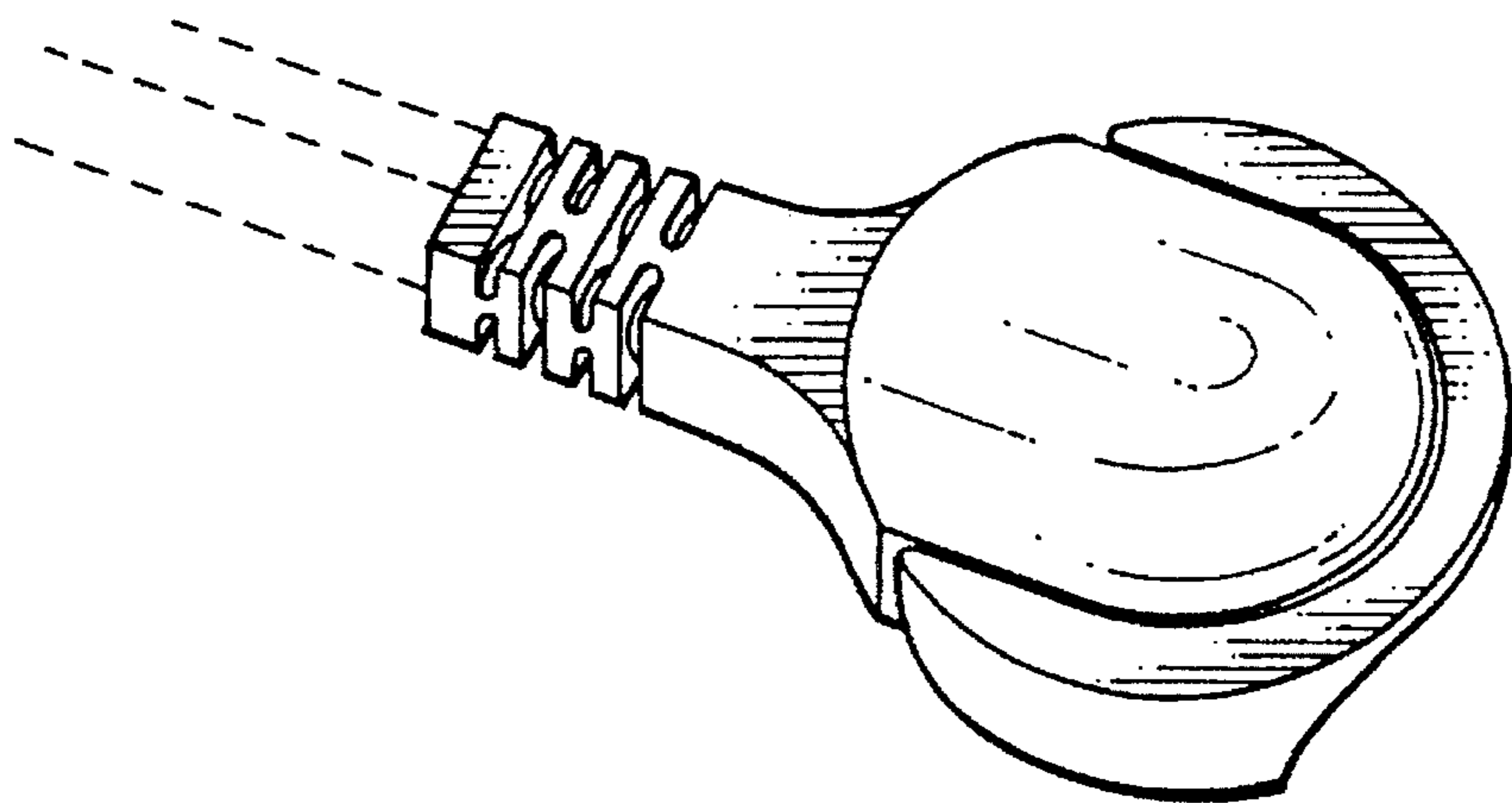
[58] Field of Search D13/137, 138, D13/140, 141; 439/152, 160, 484, 692, 694

References Cited

U.S. PATENT DOCUMENTS

D. 330,009	10/1992	Dickie	D13/138
D. 354,941	1/1995	Lentz et al.	D13/138
D. 355,408	2/1995	Geis et al.	D13/138

1 Claim, 2 Drawing Sheets



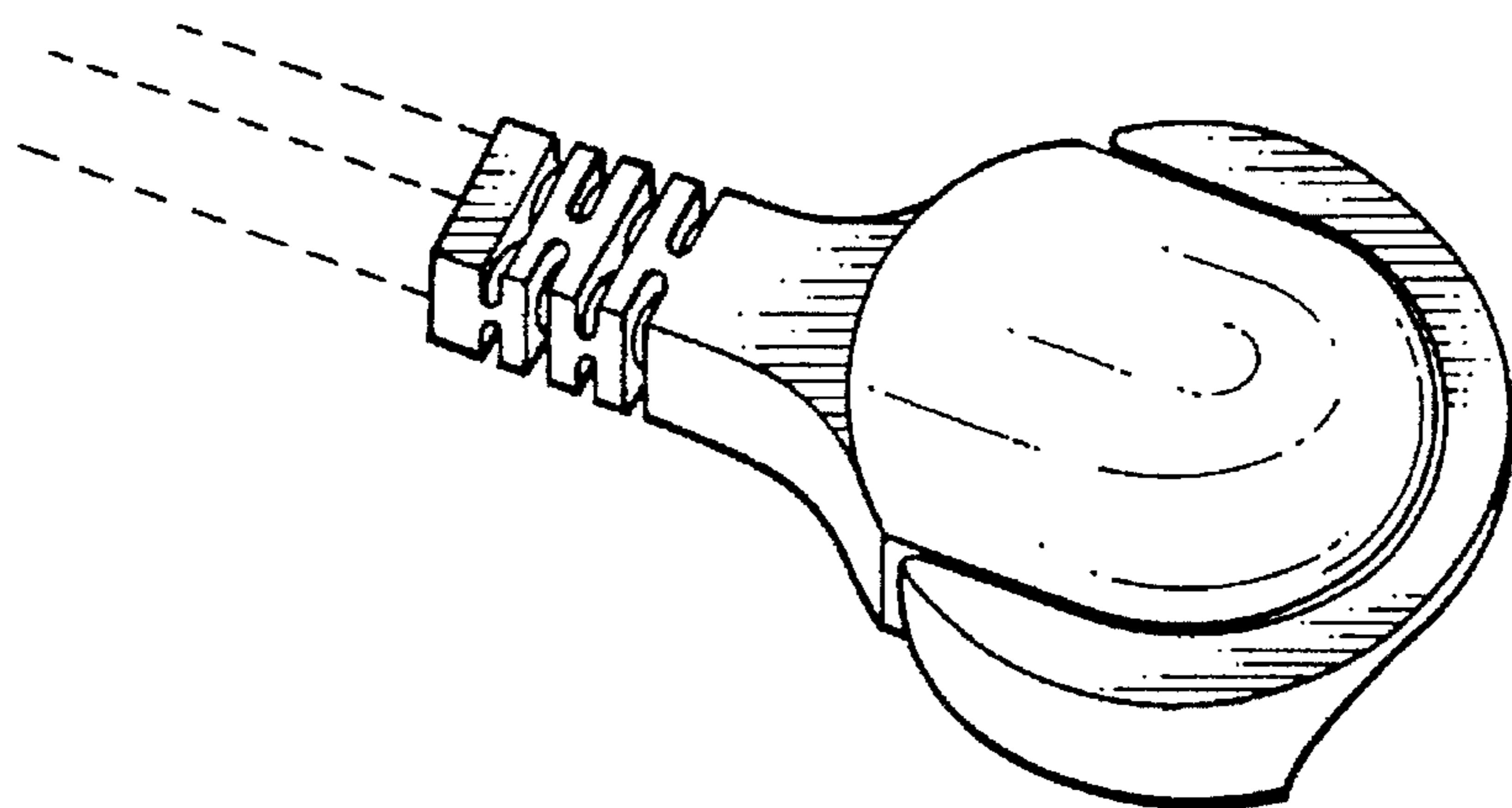


FIG. 1

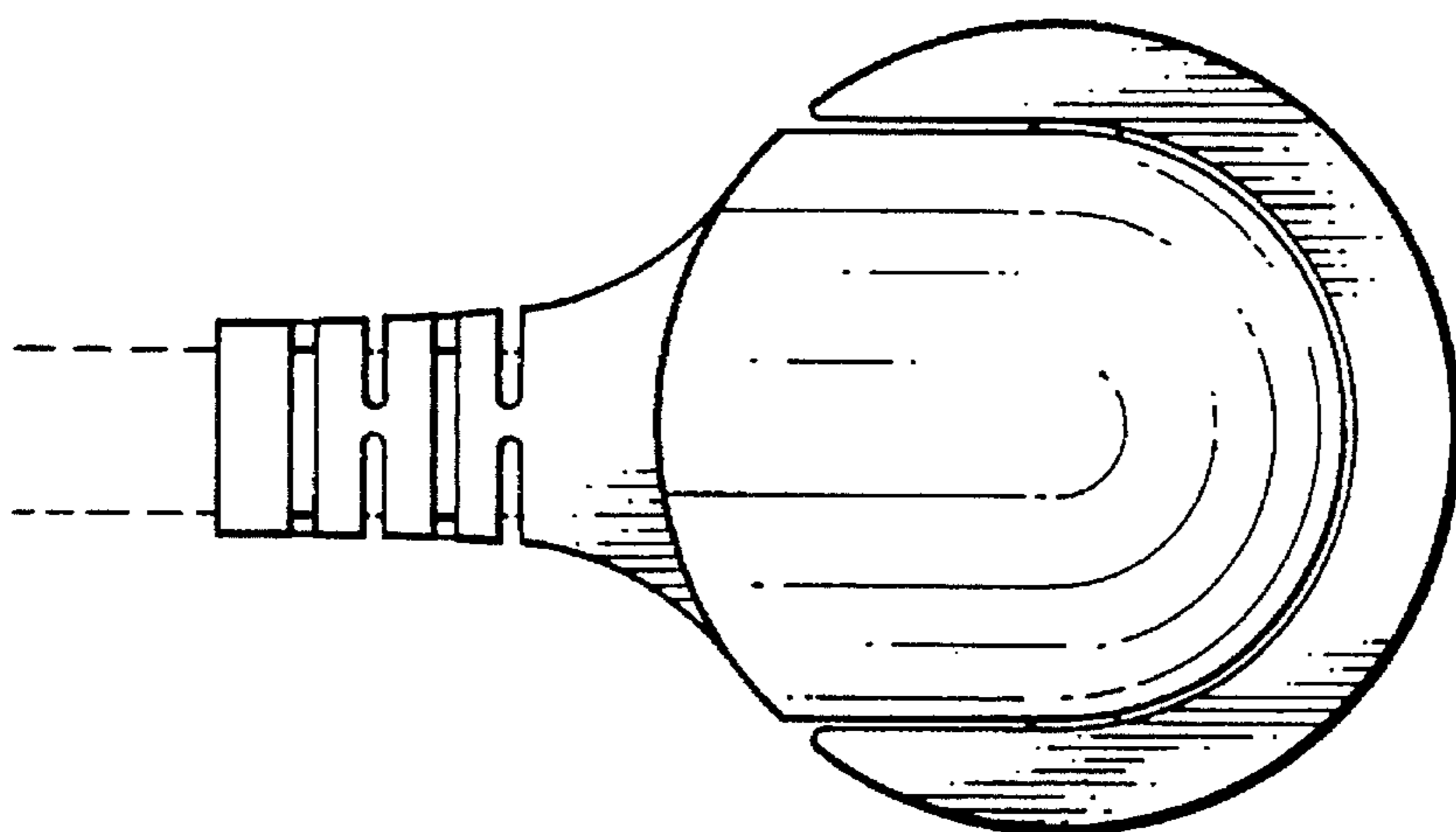


FIG. 2

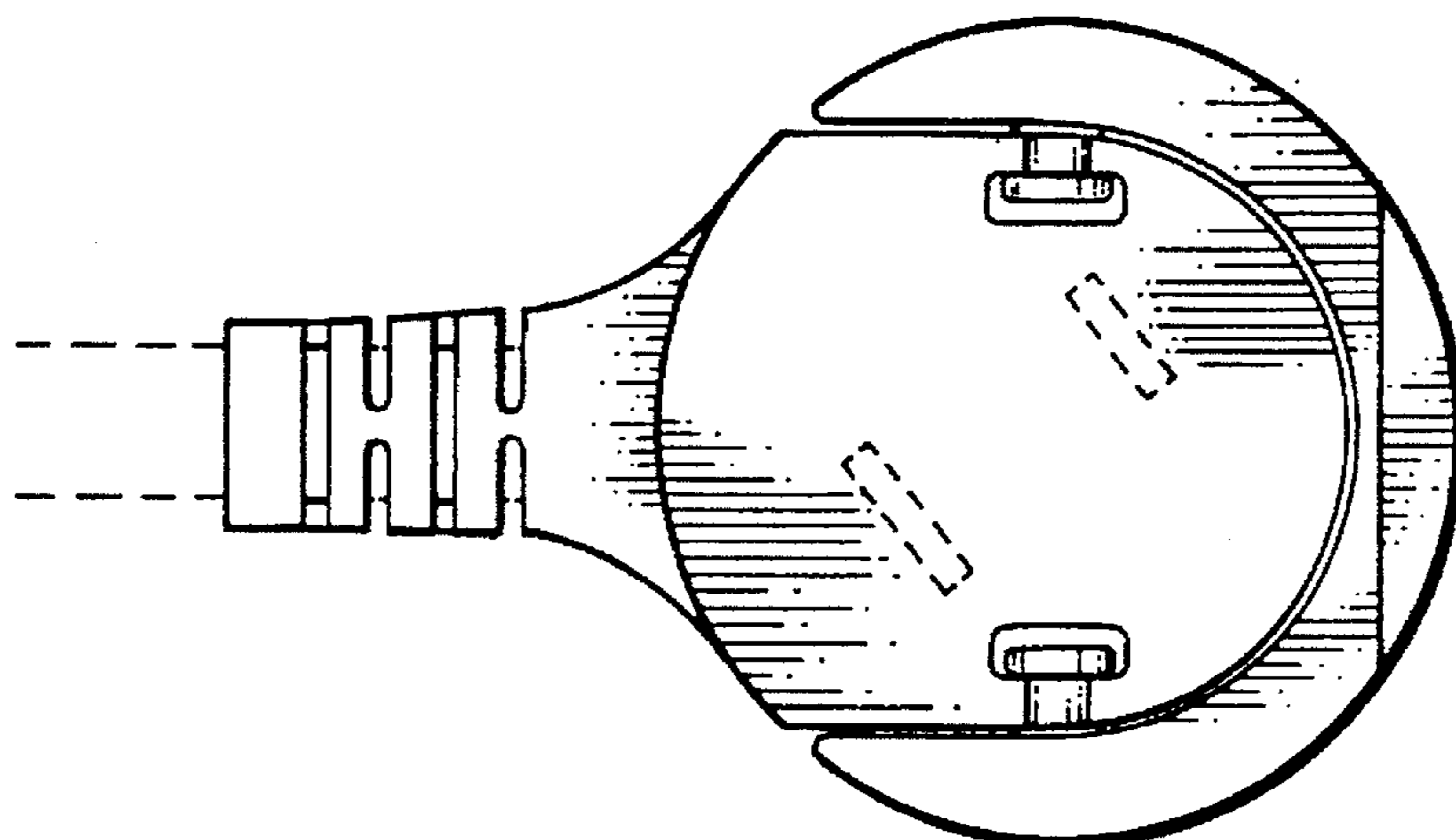


FIG. 3

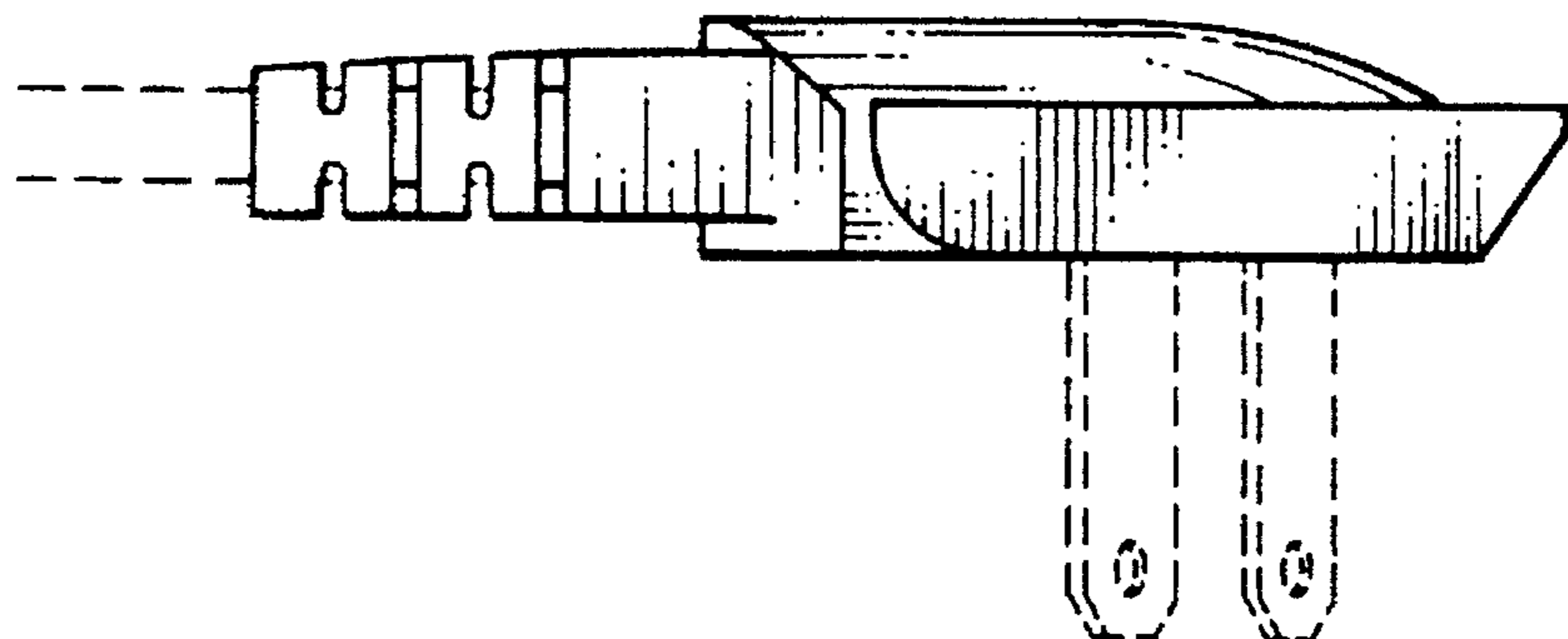


FIG. 4

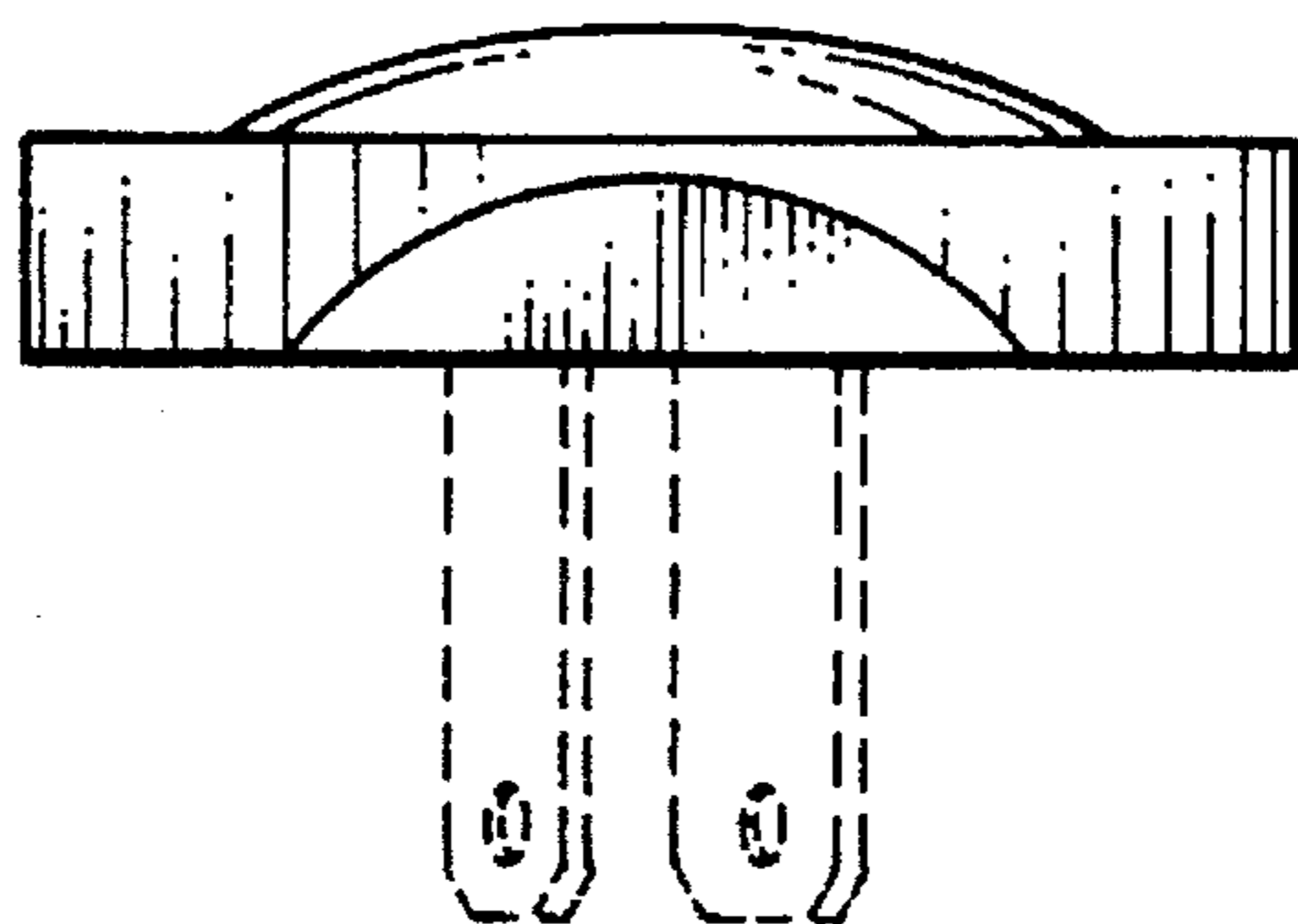


FIG. 5

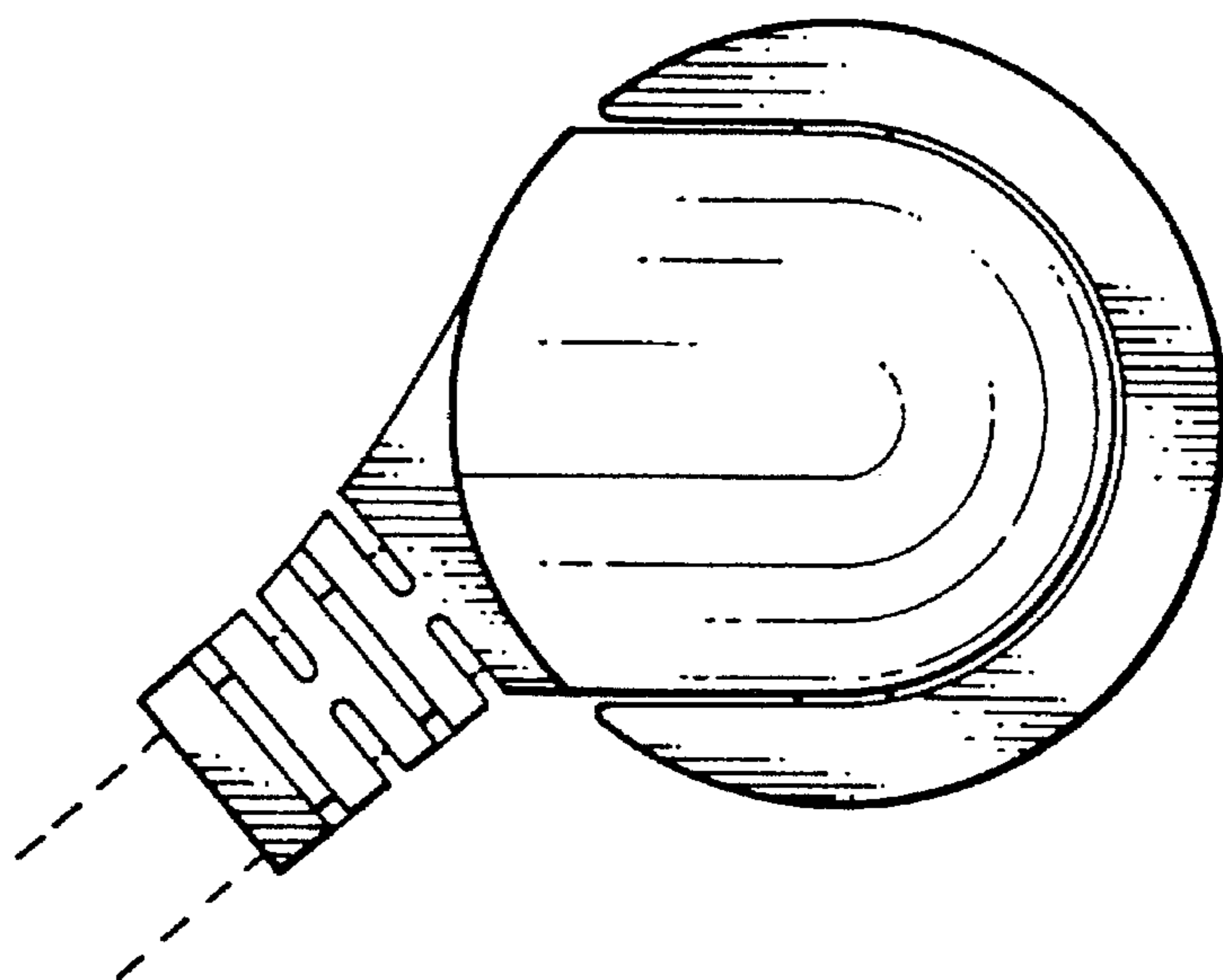


FIG. 6